

# Single Packs

**SECOP**

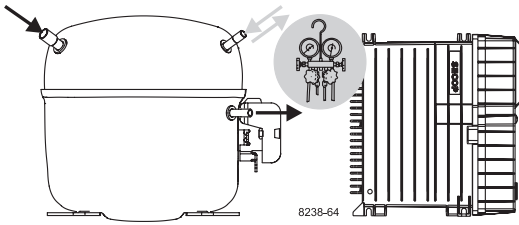
## Single Pack MS18UVULTM 220-240V 50Hz / 208-230V 60Hz PM

Single pack code number: **195B4713**

Position	Title	Code	Amount
1	Compressor MS18UVULTM	104M0820	1
2	Electronic unit	105N4731	1
3	Cover	103N2008	1
4	Bolt joint for one compressor   M6   ø16mm	118-1958	1

**Secop GmbH** • Lise-Meitner-Straße 29 • 24941 Flensburg, Germany • Tel: +49 461 4941 0 • [www.secop.com](http://www.secop.com)

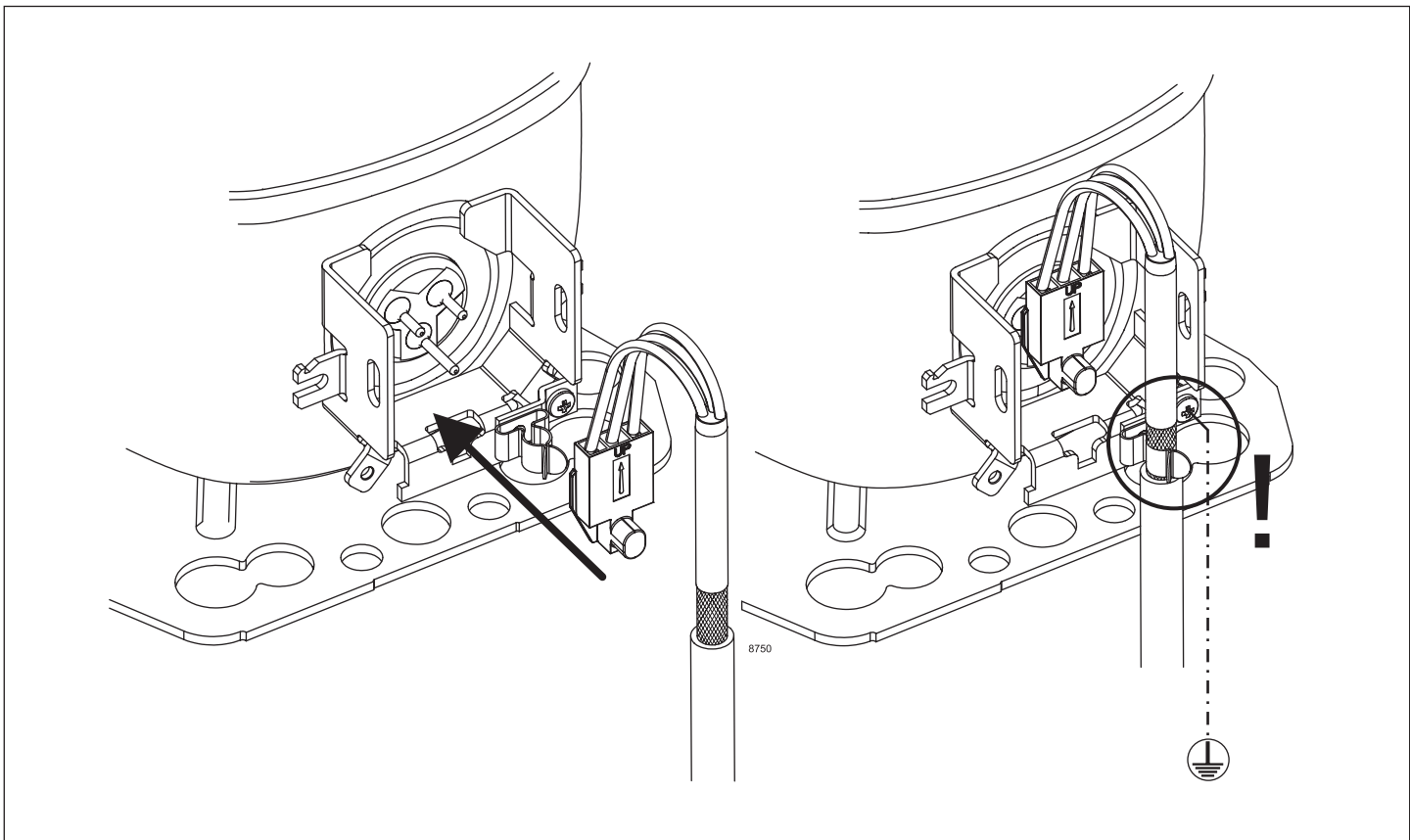
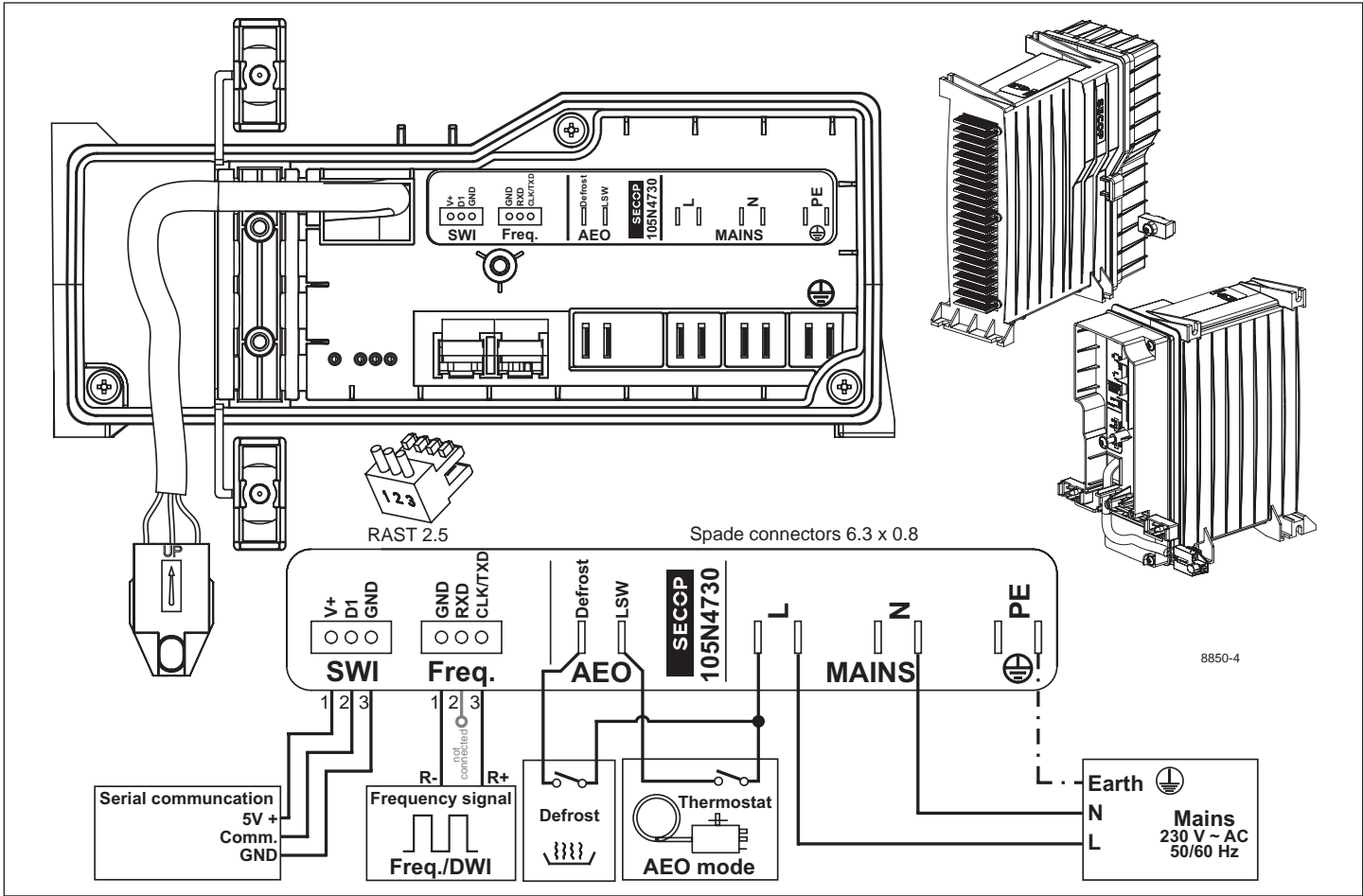
Secop accepts no responsibility for possible errors in catalogs, brochures, and other printed material. Secop reserves the right to alter its products without notice. This also applies to products already on order provided that such alterations can be made without subsequent changes being necessary to specifications already agreed. All trademarks in this material are the property of the respective companies. Secop and the Secop logotype are trademarks of Secop GmbH. All rights reserved.

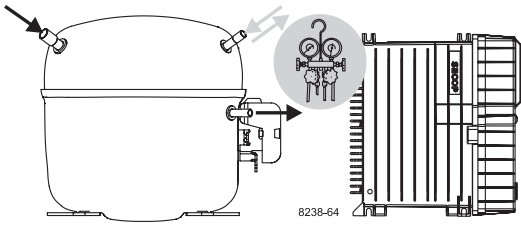


# Instructions

SLVE Compressors  
208-240V 50/60Hz  
105N473x  
Series Controllers

**SECCP**





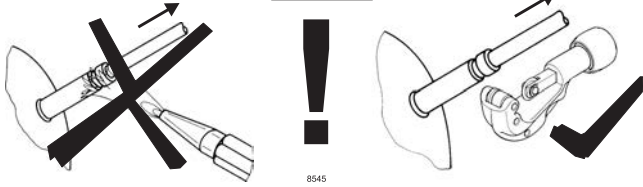
# Instructions

SLVE Compressors  
208-240V 50/60Hz  
105N473x  
Series Controllers

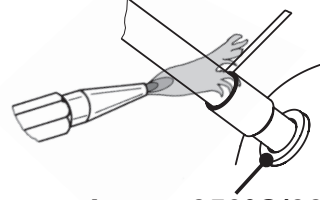
# SECCP



## Service/Repair R290



## Brazing on Suction Connectors (Direct Intake)

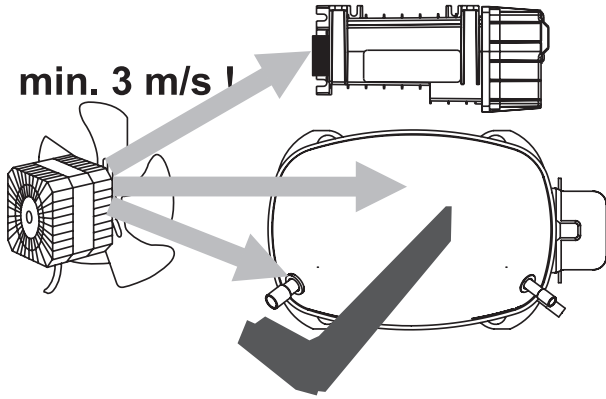


**! max. 350°C/662°F !  
at socket**

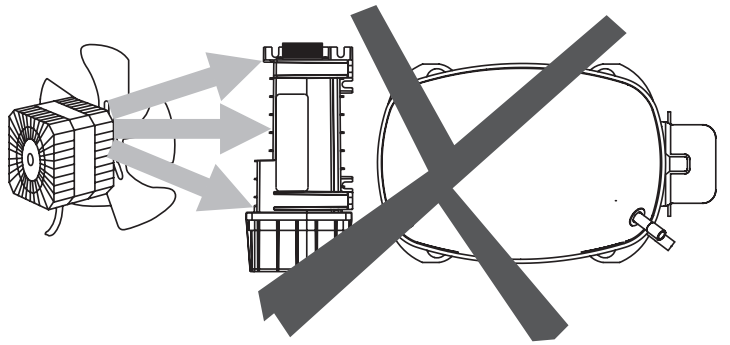
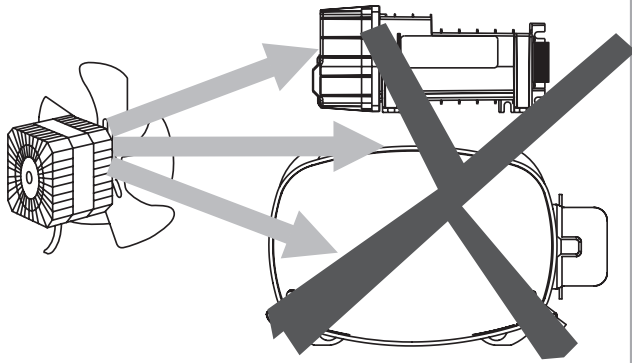
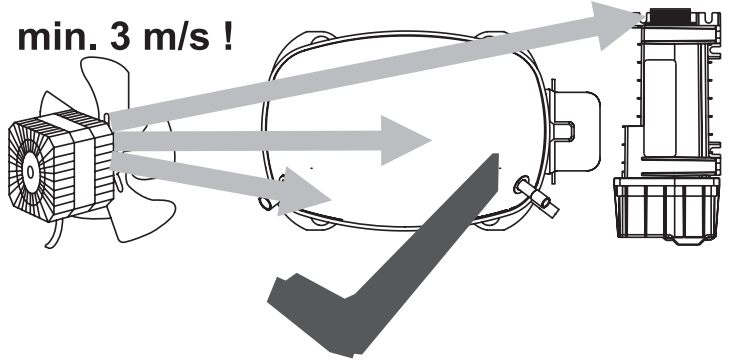
brazing solder: phosphor (LP7) or silver

Refer to Product Bulletin: **Brazing on Suction Connectors  
(Compressors with Direct Suction Intake)**

min. 3 m/s !



min. 3 m/s !



8903

<b>Airflow</b>	3 m/s
<b>Operating conditions</b>	+ 5 °C to 43 °C - humidity < 90 % rH non condensing
<b>Storage conditions</b>	-25 °C to 70 °C - humidity < 90 % rH non condensing
<b>Supply voltage</b>	208-240 V (±10%)
<b>Frequency</b>	50/60 Hz
<b>Input power rating</b>	1400 W at 230 V (+15 % / - 20 %)