

Single Pack SC18/18CL 220-240V 50Hz CSCR

Single pack code number: **195B3274**

Position	Title	Code	Amount
1	Compressor SC18/18CL	104L4090	1
2	SC starting device (650mm)	117-7046	2
3	Cord relief	103N1004	2
4	Cover	103N2009	2
5	Bolt joint for one compressor M6 ø16mm	118-1917	2

Secop GmbH • Lise-Meitner-Straße 29 • 24941 Flensburg, Germany • Tel: +49 461 4941 0 • www.secop.com

Secop accepts no responsibility for possible errors in catalogs, brochures, and other printed material. Secop reserves the right to alter its products without notice. This also applies to products already on order provided that such alterations can be made without subsequent changes being necessary to specifications already agreed. All trademarks in this material are the property of the respective companies. Secop and the Secop logotype are trademarks of Secop GmbH. All rights reserved.

Model

Designation	SC18/18CL	220-240V/50Hz 1~	Sales code:	104L4090
-------------	------------------	------------------	-------------	-----------------

Compressor design

Oil type	Polyolester	Refrigerant(s)	R404A, R507
Oil viscosity	32cST	Displacement	35,38cm ³ / 2,16cu.in
Oil quantity	1233cm ³ / 41,7fl.oz	Compressors on pallet	18
Refr. charge - tech. limit	2200g / 77,6oz		
Free gas volume comp.	2920cm ³ / 98,7fl.oz		
Weight	29,1kg / 64,2lbs		
Motor protection	1# internal		
Winding resistance main	3,7Ω (at 25°C)		
Winding resistance aux	14Ω (at 25°C)		
Max. winding temp.	125°C / 257°F		
Max. discharge temp.	135°C / 275°F		



General - Configurations with SC18/18CL

	Conf. 1
Motorconfiguration	CSCR
Power supply (nominal)	220-240V/50Hz
Number of phases	1
Voltage range	198-254V
Approvals	CCC, EAC, VDE
Starting torque	HST
Note	- / -

Applications with SC18/18CL

	Conf. 1
Refrigerant	R404A
Application	LBP+MBP
System cooling	fan 3m/s
Hot gas defrost	OK
Long interval pull down	OK

Electrical data - Configurations with SC18/18CL

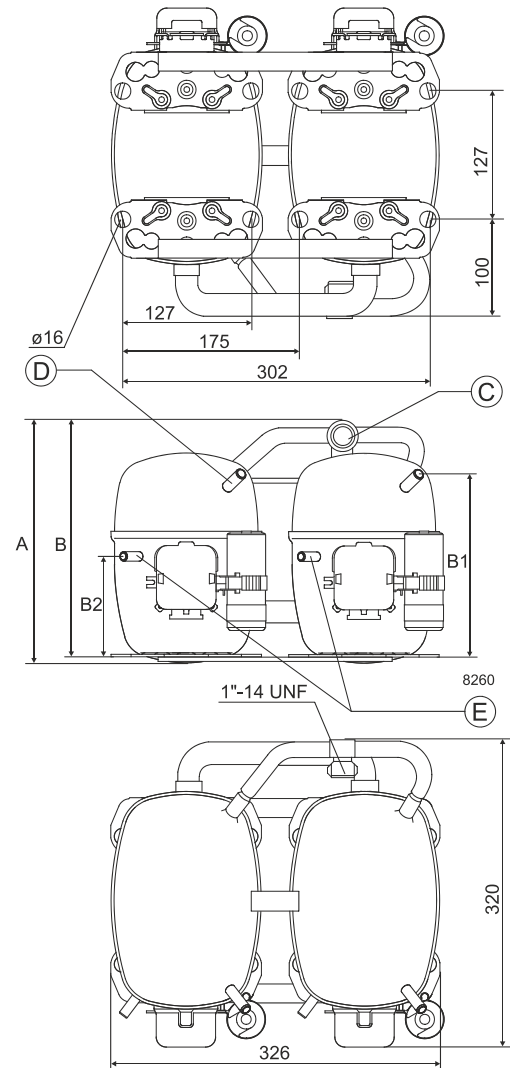
	Conf. 1
Starting device type	relay
Run capacitor	10μF
Start capacitor	80μF
LRA (locked rotor amps / 4s)	2x 20,43A
RLA (rated load amps / 1s)	2x 4,2A
Cut in current	2x 20,43A

Model			
Designation	SC18/18CL	220-240V/50Hz 1~	Sales code: 104L4090

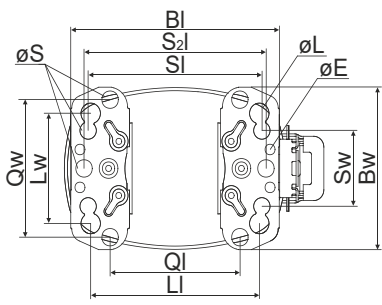
Compressor dimensions

Housing	A Height	259mm / 10,2in
	B Height	254mm / 10in
	B1	193mm / 7,6in
	B2	110mm / 4,33in

Connectors	Suction	Discharge	Process
	C	E	D
Diameter [mm]	øi 15,21-15,37	øi 6,11-6,29	øi 6,11-6,29
(i:inside, o:outside) [in]	øi 0,6-0,61	øi 0,24-0,25	øi 0,24-0,25
Material	steel	copper	copper
Horizontal angle	±2°	37°	37°
Vertical angle	±2°	0°	0°
Position l/h/w [mm]	0/0/0	0/0/0	0/0/0
	[in]	0/0/0	0/0/0
Straight tube l. [mm]	10	12	12
	[in]	0,4	0,5

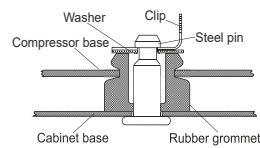
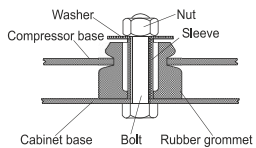


Compressor fixation



Baseplate	[mm]	[inch]
BI	204	8.03
Bw	150	5.9
øE	ø 9.7	ø 0.38
Large holes		
LI	165	6.5
Lw	101.6	4
øL	ø 19	ø 0.75
Small holes		
SI	170	6.7
Sw	70	2.76
øS	ø 16	ø 0.63
QI	127	5
Qw	127	5

Mounting accessories	one comp.	multi pack
Bolt joint M6 ø16mm	118-1917	118-1918
Bolt joint ø1/4" ø16mm	118-1946	
Bolt joint ø1/4" ø19mm	118-1949	
Snap-on ø7,3 ø16mm	118-1947	118-1919
<u>Bolt joint</u>		<u>Snap-on</u>



Application notes

Provision for PE Grounding is located at the PE Stamp on the compressor
 Twin should be used with a time-delay relay

Model

Designation	SC18/18CL	220-240V/50Hz	Conf. 1	Sales code:	104L4090
-------------	------------------	----------------------	----------------	-------------	-----------------

Configuration

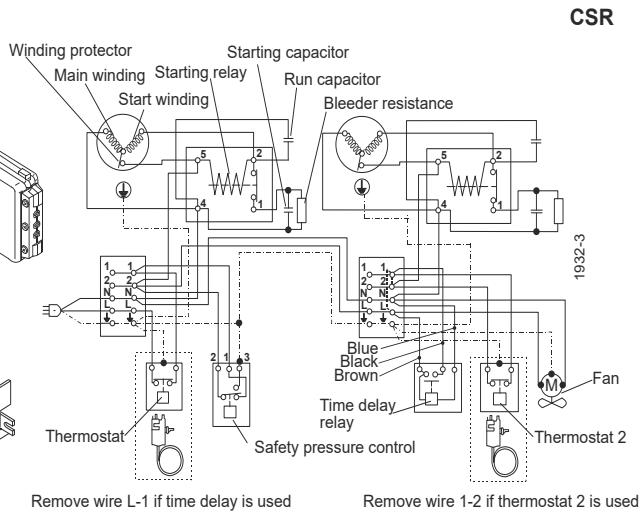
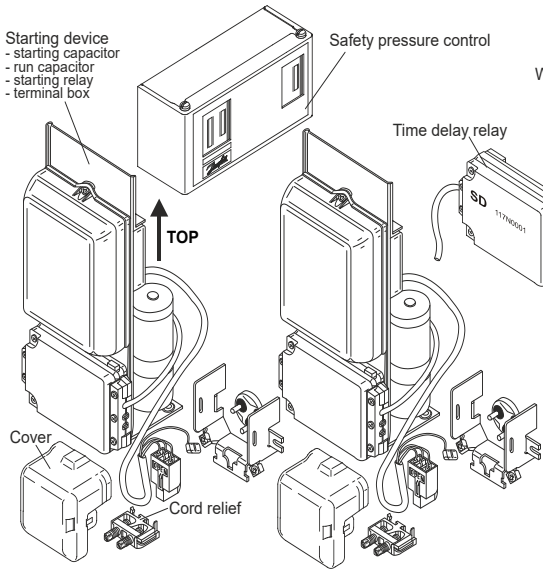
Motorconfiguration	CSCR
Power supply (nominal)	220-240V/50Hz 1~
Refrigerant	R404A
Application	LBP+MBP
Voltage range	198-254V
Starting torque	HST
Approvals	CCC, EAC, VDE

Ambient/ machine room temperatures minimum /maximum

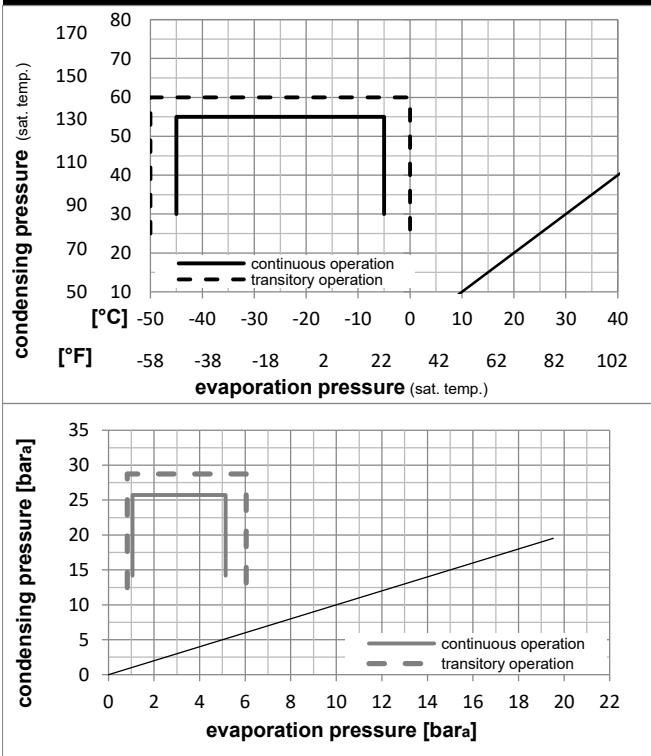
Ambient temperature range:	10 - 38°C / 50 - 101°F
Machine room temperature range:	10 - 43°C / 50 - 110°F
Compressor cooling:	fan 3m/s

Operation Limits

Electrical accessories / wiring diagram

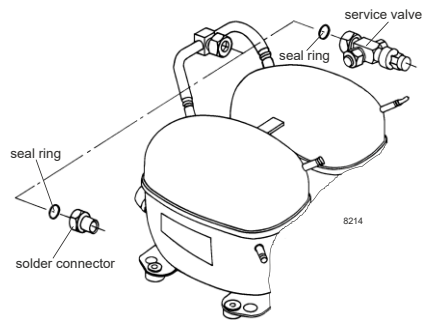


Operation pressure range



Components

a3	SC starter kit (550mm)	117-7027
b	plastic cover	103N2009
d	cord relief	103N1004
.	Check valve (to be used with time-delay relay)	020-1014
.	Service valve 16mm	118-7351
.	Solder connector (alternative) 16 mm	118-7405
.	Seal ring for service valve and solder conn.	118-3638



Model

Designation **SC18/18CL** **220-240V/50Hz** Conf. 1 Sales code: **104L4090**

Optimization + standard conditions

R404A, 220V/50Hz, CSCR, fan 3m/s, CCC, EAC, VDE

		Evaporating pressure (saturation temperature)				Condensing pressure (saturation temperature)			Return gas temp.		Liquid temp.		Cooling capacity			COP	EER	Power consumption		
		pe	pc	RGT	Tliq	[W]	[Btu/h]	[kcal/h]	[W/W]	[Btu/Wh]	[kcal/Wh]	P1	I	Current consumption		Ref. mass flow				
[°C]	[°F]	[°C]	[°F]	[°C]	[°C]							[W]	[A]	[kg/h]						
-23	-10	54	130	32	32	1601,5	5469	1378,3	1,21	4,14	1,04	1319,9	7,55	37,32			ASHRAE LBP			
-25	-13	55	131	32	55	1077,1	3679	927,0	0,86	2,92	0,74	1258,0	7,29	33,66			cecomaf LBP			
-35	-31	40	104	20	40	872,3	2979	750,7	0,97	3,30	0,83	902,1	6,02	23,70			EN12900 LBP			
-23	-10	49	120	4,4	49	1218,6	4162	1048,7	0,93	3,19	0,80	1304,8	7,51	43,14			ARI540 LBP			
-23	-10	41	105	32	32	1898,1	6482	1633,5	1,51	5,17	1,30	1254,8	7,32	44,23			AHAM LBP			
-35	-31	45	113	32	45	788,9	2694	679,0	0,87	2,96	0,75	910,3	6,04	21,09			opt			

Performance tables

R404A, 220V/50Hz, CSCR, fan 3m/s, CCC, EAC, VDE

	pe		Cooling capacity			COP	EER	P1		I	m
	[°C]	[°F]	[W]	[Btu/h]	[kcal/h]	[W/W]	[Btu/Wh]	[kcal/Wh]	[W]	[A]	[kg/h]
[°C / °F]	-45	-49	333,4	1139	286,9	0,57	1,94	0,49	587,3	5,22	8,86
cond. pressure	-35	-31	788,9	2694	679,0	0,87	2,96	0,75	910,3	6,04	21,09
pc= 45/113	-30	-22	1083,3	3700	932,3	1,01	3,46	0,87	1067,9	6,58	29,08
return gas temp.	-25	-13	1430,4	4885	1231,0	1,16	3,97	1,00	1229,5	7,21	38,58
RGT= 32/90	-20	-4	1836,3	6271	1580,4	1,31	4,48	1,13	1400,1	7,92	49,82
liquid temp	-15	5	2307,3	7880	1985,7	1,46	4,97	1,25	1584,6	8,72	63,03
Tliq= 45/113	-5	23	3469,0	11847	2985,4	1,72	5,88	1,48	2015,1	10,58	96,44
[°C / °F]	-45	-49	167,7	573	144,4	0,33	1,14	0,29	504,3	4,93	5,15
cond. pressure	-35	-31	550,2	1879	473,5	0,62	2,11	0,53	889,5	5,94	17,02
pc= 55/131	-30	-22	792,5	2706	682,0	0,74	2,52	0,64	1073,4	6,57	24,63
return gas temp	-25	-13	1077,1	3679	927,0	0,86	2,92	0,74	1258,0	7,29	33,66
RGT= 32/90	-20	-4	1410,2	4816	1213,7	0,97	3,33	0,84	1448,4	8,10	44,37
liquid temp	-15	5	1798,0	6141	1547,4	1,09	3,72	0,94	1649,4	9,00	57,02
Tliq= 55/131	-5	23	2762,5	9434	2377,4	1,31	4,49	1,13	2103,5	11,04	89,41

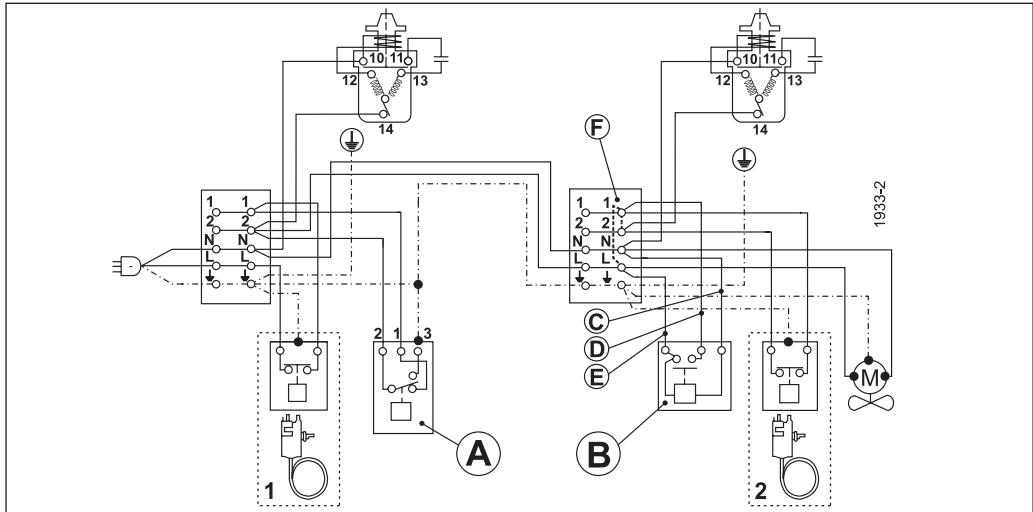
SC Twin Compressors



	A	B	C	D	E	F	
ENGLISH	Safety pressure control	Time delay relay	Blue	Black	Brown	Remove wire L-1 if time delay is used	Remove wire 1-2 if thermostat 2 is used
中文	安全压力控制	延时继电器	蓝	黑	棕	若延时继电器使用，线L-1不使用	若温控器2使用，线1-2不使用
Русский	Предохранительное реле давления	Реле задержки времени	Синий	Чёрный	Коричневый	Отсоедините провод L-1, если используется реле задержки времени	Отсоедините провод 1-2, если используется термостат 2
DEUTSCH	Sicherheitsdruckschalter	Zeitrelais (verzögernd)	Blau	Schwarz	Braun	Bei Benutzung der Anlaßverzögerung Brücke L-1 entfernen	Bei Benutzung von Thermostat 2 Brücke 1-2 entfernen
FRANÇAIS	Pressostat	Relais de temporisation	Bleu	Noir	Marron	Supprimer la connection L-1 si le relais de temporisation est utilisé	Supprimer la connection 1-2 si thermostat 2 est utilisé
ESPAÑOL	Presostato de seguridad	Relé de retardo	Azul	Negro	Marrón	Quitar cable L-1, si se utiliza un relé de retardo	Quitar cable 1-2, si se utiliza el termostato 2
ITALIANO	Pressostato	Relè di ritardo avviam.	Blu	Nero	Marrone	Eliminare il cavo L-1 se è utilizzato il ritardatore	Eliminare il cavo 1-2 se è utilizzato il termostato 2
NEDERLANDS	Pressostaat	Tijdvertragingrelais	Blauw	Zwart	Bruin	Verwijder draad L-1 indien tijdvertraging wordt toegepast	Verwijder draad 1-2 indien thermostaat wordt toegepast
DANSK	Sikkerhedspressostat	Tidsforsinkelsesrelæ	Blå	Sort	Brun	Ved tidsforsinkelse fjernes ledning L-1	Ved termostat 2 fjernes ledning 1-2
SVENSKA	Säkerhetspressostat	Tidsfördröjningsrelä	Blå	Svart	Brun	Vid anslutning av tidsfördröjningsrelä avlägsnas bygling L-1	Vid anslutning av termostat 2 avlägsnas bygling 1-2



SC Twin Compressors



	A	B	C	D	E	F	
ENGLISH	Safety pressure control	Time delay relay	Blue	Black	Brown	Remove wire L-1 if time delay is used	Remove wire 1-2 if thermostat 2 is used
中文	安全压力控制	延时继电器	蓝	黑	棕	若延时继电器使用, 线L-1不使用	若温控器2使用, 线1-2不使用
Русский	Предохранительное реле давления	Реле задержки времени	Синий	Чёрный	Коричневый	Отсоедините провод L-1, если используется реле задержки времени	Отсоедините провод 1-2, если используется термостат 2
DEUTSCH	Sicherheitsdruckschalter	Zeitrelais (verzögernd)	Blau	Schwarz	Braun	Bei Benutzung der Anlaufverzögerung Brücke L-1 entfernen	Bei Benutzung von Thermostat 2 Brücke 1-2 entfernen
FRANÇAIS	Pressostat	Relais de temporisation	Bleu	Noir	Marron	Supprimer la connection L-1 si le relais de temporisation est utilisé	Supprimer la connection 1-2 si thermostat 2 est utilisé
ESPAÑOL	Presostato de seguridad	Relé de retardo	Azul	Negro	Marrón	Quitar cable L-1, si se utiliza un relé de retardo	Quitar cable 1-2, si se utiliza el termostato 2
ITALIANO	Pressostato	Relè di ritardo avviam.	Blu	Nero	Marrone	Eliminare il cavo L-1 se è utilizzato il ritardatore	Eliminare il cavo 1-2 se è utilizzato il termostato 2
NEDERLANDS	Pressostaat	Tijdvertraging-relais	Blauw	Zwart	Bruin	Verwijder draad L-1 indien tijdvertraging wordt toegepast	Verwijder draad 1-2 indien thermostaat wordt toegepast
DANSK	Sikkerhedspressostat	Tidsforsinkel-sesrelæ	Blå	Sort	Brun	Ved tidsforsinkelse fjernes ledning L-1	Ved termostat 2 fjernes ledning 1-2
SVENSKA	Säkerhetspressostat	Tidsfördröjningsrelä	Blå	Svart	Brun	Vid anslutning av tidsfördröjningsrelä avlägsnas bygling L-1	Vid anslutning av termostat 2 avlägsnas bygling 1-2

Secop accepts no responsibility for possible errors in catalogs, brochures, and other printed material. Secop reserves the right to alter its products without notice. This also applies to products already on order provided that such alterations can be made without subsequent changes being necessary to specifications already agreed. All trademarks in this material are the property of the respective companies. Secop and the Secop logotype are trademarks of Secop GmbH. All rights reserved. www.secop.com