

## Single Pack NF5.5FX 115-127V 60Hz CSIR

Single pack code number: **195B4156**

Position	Title	Code	Amount
1	Compressor NF5.5FX	105G5623	1
2	Starting relay (overload protector MRP36AEN-6)	117U4127	1
3	Starting capacitor (280 $\mu$ F 125V, 6.3mm)	117U5025	1
4	Cord relief	117U0349	2
5	Cover	117U1021	1
6	Bolt joint for one compressor   M6   $\varnothing$ 16mm	118-1917	1

Secop GmbH • Lise-Meitner-Straße 29 • 24941 Flensburg, Germany • Tel: +49 461 4941 0 • [www.secop.com](http://www.secop.com)

Secop accepts no responsibility for possible errors in catalogs, brochures, and other printed material. Secop reserves the right to alter its products without notice. This also applies to products already on order provided that such alterations can be made without subsequent changes being necessary to specifications already agreed. All trademarks in this material are the property of the respective companies. Secop and the Secop logotype are trademarks of Secop GmbH. All rights reserved.

## Model

Designation	<b>NF5.5FX</b>	115-127V/60Hz 1~	Sales code:	<b>105G5623</b>
-------------	----------------	------------------	-------------	-----------------

## Compressor design

Oil type	Polyolester	Refrigerant(s)	<b>R134a, R513A, 0</b>
Oil viscosity	32cST	Displacement	6,13cm <sup>3</sup> / 0,37cu.in
Oil quantity	268cm <sup>3</sup> / 9,1fl.oz	Compressors on pallet	80
Refr. charge - tech. limit	500g / 17,6oz		
Free gas volume comp.	2360cm <sup>3</sup> / 79,8fl.oz		
Weight	10kg / 22lbs		
Motor protection	external		
Winding resistance main	2Ω (at 25°C)		
Winding resistance aux	3,1Ω (at 25°C)		
Max. winding temp.	125°C / 257°F		
Max. discharge temp.	130°C / 266°F		



## General - Configurations with NF5.5FX

	<b>Conf. 1</b>	<b>Conf. 2</b>
Motorconfiguration	CSIR	CSIR
Power supply (nominal)	115-127V/60Hz	115-127V/60Hz
Number of phases	1	1
Voltage range	95-135V	95-135V
Approvals	UL, EAC	UL, EAC
Starting torque	HST	HST
Note	- / -	

## Applications with NF5.5FX

	<b>Conf. 1</b>	<b>Conf. 2</b>
Refrigerant	R134a	R513A
Application	LBP+MBP	LBP+MBP
System cooling	fan 1,5m/s	fan 1,5m/s
Hot gas defrost	-/-	-/-
Long interval pull down	OK	OK

## Electrical data - Configurations with NF5.5FX

	<b>Conf. 1</b>	<b>Conf. 2</b>
Starting device type	relay	relay
Run capacitor	-/-	-/-
Start capacitor	280μF	280μF
LRA (locked rotor amps / 4s/ U(N))	22,2A	22,2A
RLA (rated load amps / 1s/ U(N))	3,7A	3,7A
Cut in current (U(N))		

## Model

Designation

**NF5.5FX**

115-127V/60Hz 1~

Sales code:

**105G5623**

## Compressor dimensions

Housing	A Height	197mm / 7,76in
	B Height	191mm / 7,52in
	C Length shell	205mm / 8,07in
	D Length w. cover	254mm / 10in
	E Width	166mm / 6,54in

Connectors		Suction	Discharge	Process
		X	Y	Z
Diameter	[mm]	øi 8,11-8,29	øi 6,41-6,59	øi 6,41-6,59
	(i:inside, o:outside) [in]	øi 0,32-0,33	øi 0,25-0,26	øi 0,25-0,26
Material		copper	copper	copper
Horizontal angle	±2°	0°	0°	0°
Vertical angle	±2°	15°	35°	155°
Position l/h/w	[mm]	126/76/78	133/103/54	-107/94/72
	[in]	4,9/3/3,1	5,2/4/2,1	-4,2/3,7/2,8
Straight tube l.	[mm]	12	12	12
	[in]	0,5	0,5	0,5



## Compressor fixation



### Bolt joint



### Snap-on



## Mounting accessories

	one comp.	multi pack
Bolt joint   M6   ø16mm	118-1917	118-1918
Bolt joint   ø1/4"   ø16mm	118-1946	
Bolt joint   ø1/4"   ø19mm	118-1949	
Snap-on   ø7,3   ø16mm	118-1947	118-1919

## Application notes

Provision for PE Grounding is located at the PE Stamp on the compressor

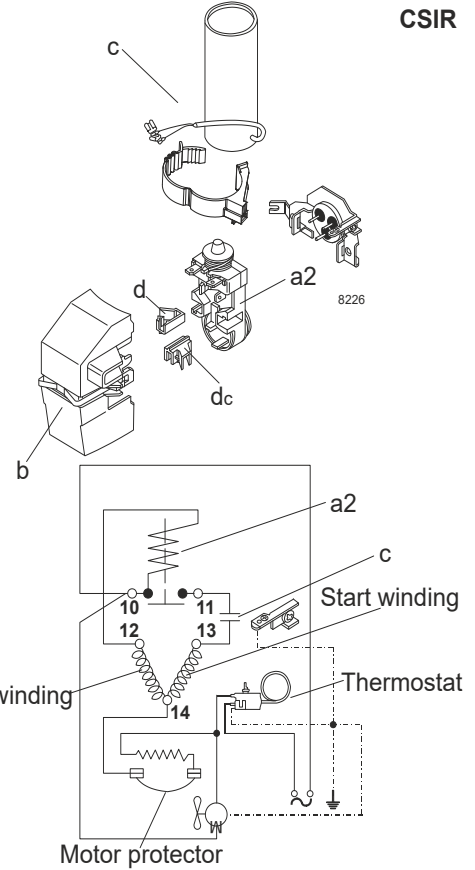
### Model

Designation	<b>NF5.5FX</b>	<b>115-127V/60Hz</b>	Conf. 1	Sales code:	<b>105G5623</b>
-------------	----------------	----------------------	---------	-------------	-----------------

### Configuration

Motorconfiguration	CSIR
Power supply (nominal)	115-127V/60Hz 1~
Refrigerant	R134a
Application	LBP+MBP
Voltage range	95-135V
Starting torque	HST
Approvals	UL
	EAC

### Electrical accessories / wiring diagram



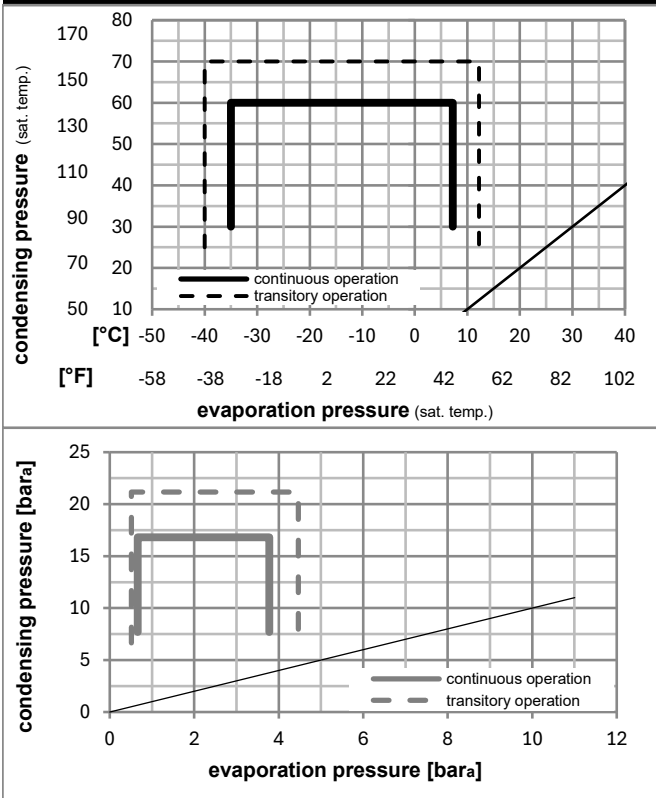
### Ambient/ machine room temperatures minimum /maximum

Ambient temperature range: 10 - 43°C / 50 - 110°F

Machine room temperature range: 10 - 48°C / 50 - 119°F

Compressor cooling: fan 3m/s

### Operation pressure range



### Components

a2	current relay (MRP36AEN-6)	117U4127
c	start capacitor (280µF)	117U5025
b	plastic cover	117U1021
d/dc	cord relief	117U0349
d/dc	cord relief	117U0349

### Alternative components

a2	current relay (MRP36AEN-6)	117U4157
c	start capacitor (280µF)	117U5074

## Model

Designation	<b>NF5.5FX</b>	<b>115-127V/60Hz</b>	<b>Conf. 1</b>	Sales code:	<b>105G5623</b>
-------------	----------------	----------------------	----------------	-------------	-----------------

## Optimization + standard conditions

R134a, 115V/60Hz, CSIR, fan 3m/s, UL, EAC

	pe	pc	RGT	Tliq	Cooling capacity [W]	[Btu/h]	[kcal/h]	COP [W/W]	EER [Btu/Wh]	[kcal/Wh]	P1 [W]	I [A]	Ref. mass flow ṁ [kg/h]	
Evaporating pressure (saturation temperature)	Condensing pressure (saturation temperature)				Power consumption									
	Return gas temp.			Liquid temp.	Current consumption									
					Ref. mass flow									
[°C]	-23	54	32	32	203,9	696	175,5	1,21	4,13	1,04	168,8	2,50	3,96	<b>ASHRAE LBP</b>
[°F]	-10	130	90	90										
[°C]	-25	55	32	55	148,4	507	127,8	0,93	3,19	0,80	158,8	2,45	3,55	<b>cecomaf LBP</b>
[°F]	-13	131	90	131										
[°C]	-35	40	20	40	100,9	345	86,9	0,95	3,23	0,81	106,7	2,26	2,21	<b>EN12900 LBP</b>
[°F]	-31	104	68	104										
[°C]	-7	54	35	46	425,8	1454	366,5	1,67	5,71	1,44	254,7	3,04	9,29	<b>ASHRAE MBP</b>
[°F]	20	130	95	115										
[°C]	-10	55	32	55	330,3	1128	284,3	1,38	4,71	1,19	239,5	2,93	7,99	<b>cecomaf MBP</b>
[°F]	14	131	90	131										
[°C]	-10	45	20	45	375,5	1282	323,1	1,66	5,68	1,43	225,9	2,83	8,79	<b>EN12900 MBP</b>
[°F]	14	113	68	113										

## Performance tables

R134a, 115V/60Hz, CSIR, fan 3m/s, UL, EAC

	pe	Cooling capacity			COP	EER		P1	I	m	
	[°C]	[°F]	[W]	[Btu/h]	[kcal/h]	[W/W]	[Btu/Wh]	[kcal/Wh]	[W]	[A]	[kg/h]
[°C / °F]	-35	-31	91,0	311	78,3	0,88	3,00	0,75	103,7	2,22	1,96
cond. pressure	-23	-10	199,5	681	171,7	1,20	4,08	1,03	166,9	2,49	4,33
pc= 45/113	-15	5	308,1	1052	265,1	1,50	5,13	1,29	204,9	2,70	6,71
return gas temp.	-9	15	399,4	1364	343,8	1,75	5,98	1,51	228,2	2,85	8,75
RGT= 32/90	-4	25	508,9	1738	437,9	2,03	6,93	1,75	250,6	3,00	11,20
liquid temp	0	32	597,5	2040	514,2	2,25	7,67	1,93	266,1	3,12	13,21
Tliq= 45/113	7,2	45	791,4	2703	681,1	2,68	9,15	2,31	295,3	3,34	17,68
[°C / °F]	-35	-31	65,9	225	56,8	0,71	2,43	0,61	92,5	2,16	1,57
cond. pressure	-23	-10	164,6	562	141,7	0,98	3,33	0,84	168,7	2,50	3,94
pc= 55/131	-15	5	259,6	887	223,4	1,21	4,13	1,04	214,5	2,77	6,25
return gas temp	-9	15	338,9	1158	291,7	1,40	4,78	1,20	242,1	2,95	8,20
RGT= 32/90	-4	25	433,9	1482	373,4	1,62	5,52	1,39	268,3	3,15	10,56
liquid temp	0	32	510,9	1745	439,7	1,79	6,10	1,54	286,1	3,29	12,50
Tliq= 55/131	7,2	45	680,1	2323	585,3	2,13	7,29	1,84	318,6	3,56	16,82

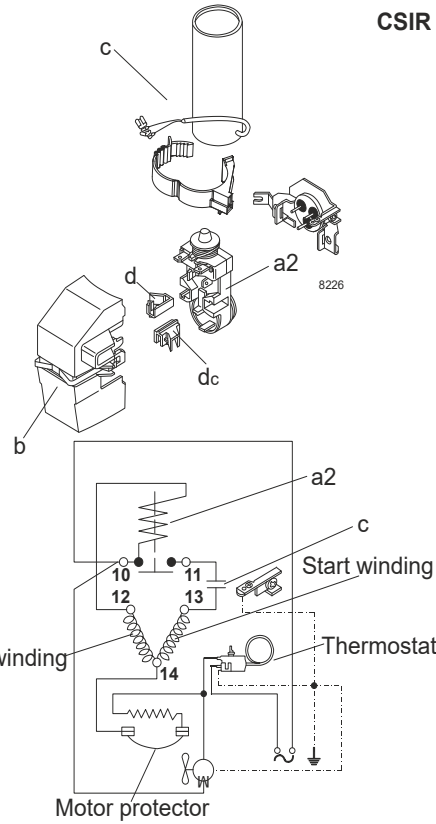
## Model

Designation	<b>NF5.5FX</b>	<b>115-127V/60Hz</b>	<b>Conf. 2</b>	Sales code:	<b>105G5623</b>
-------------	----------------	----------------------	----------------	-------------	-----------------

## Configuration

Motorconfiguration	CSIR
Power supply (nominal)	115-127V/60Hz 1~
Refrigerant	R513A
Application	LBP+MBP
Voltage range	95-135V
Starting torque	HST
Approvals	UL
	EAC

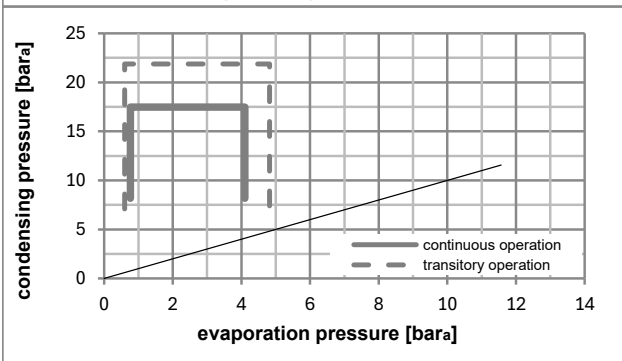
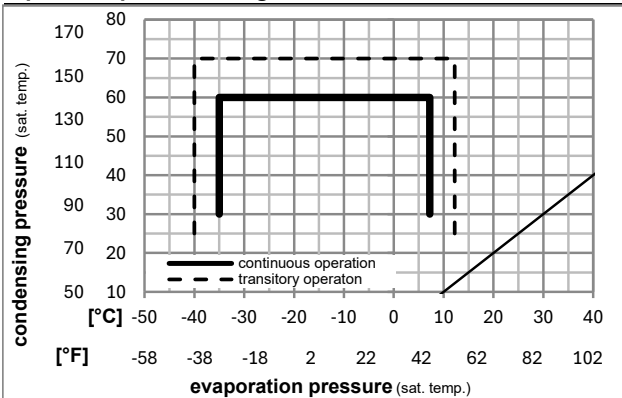
## Electrical accessories / wiring diagram



## Ambient/ machine room temperatures minimum /maximum

Ambient temperature range:	10 - 43°C / 50 - 110°F
Machine room temperature range:	10 - 48°C / 50 - 119°F
Compressor cooling:	fan 1,5m/s

## Operation pressure range



## Components

a2	current relay (MRP36AEN-6)	117U4127
c	start capacitor (280μF)	117U5025
b	plastic cover	117U1021
d/dc	cord relief	117U0349
d/dc	cord relief	117U0349

## Alternative components

a2	current relay (MRP36AEN-6)	117U4157
c	start capacitor (280μF)	117U5074

### Model

Designation	<b>NF5.5FX</b>	<b>115-127V/60Hz</b>	<b>Conf. 2</b>	Sales code:	<b>105G5623</b>
-------------	----------------	----------------------	----------------	-------------	-----------------

### Optimization + standard conditions

R513A, 115V/60Hz, CSIR, fan 1,5m/s, UL, EAC

		Evaporating pressure (saturation temperature)				Cooling capacity			COP	EER	Power consumption			
		Condensing pressure (saturation temperature)		Return gas temp.		Liquid temp.				Current consumption		Ref. mass flow		
	pe	pc	RGT	Tliq	[W]	[Btu/h]	[kcal/h]	[W/W]	[Btu/Wh]	[kcal/Wh]	P1	I	m	
[°C]	[°C]	[°C]	[°C]	[W]	[Btu/h]	[kcal/h]	[W/W]	[Btu/Wh]	[kcal/Wh]	[W]	[A]	[kg/h]		
[°C]	-23	54	32	32	225,3	769	193,9	1,24	4,23	1,06	182,0	3,00	4,85	ASHRAE LBP
[°F]	-10	130	90	90										
[°C]	-25	55	32	55	159,6	545	137,4	0,93	3,18	0,80	171,7	2,96	4,37	cecomaf LBP
[°F]	-13	131	90	131										
[°C]	-35	40	20	40	112,9	386	97,2	0,98	3,34	0,84	115,5	2,75	2,79	EN12900 LBP
[°F]	-31	104	68	104										
[°C]	-7	54	35	46	446,9	1526	384,6	1,66	5,67	1,43	269,4	3,45	10,95	ASHRAE MBP
[°F]	20	130	95	115										
[°C]	-10	55	32	55	342,6	1170	294,9	1,35	4,60	1,16	254,3	3,36	9,47	cecomaf MBP
[°F]	14	131	90	131										
[°C]	-10	45	20	45	392,5	1340	337,7	1,64	5,60	1,41	239,4	3,28	10,40	EN12900 MBP
[°F]	14	113	68	113										

### Performance tables

R513A, 115V/60Hz, CSIR, fan 1,5m/s, UL, EAC

	pe		Cooling capacity			COP	EER	P1			I	m
	[°C]	[°F]	[W]	[Btu/h]	[kcal/h]	[W/W]	[Btu/Wh]	[kcal/Wh]	[W]	[A]	[kg/h]	
[°C / °F]	-35	-31	102,6	350	88,3	0,91	3,11	0,78	112,7	2,74	2,49	
cond. pressure	-23	-10	216,0	738	185,9	1,20	4,12	1,04	179,3	2,98	5,27	
pc= 45/113	-15	5	327,5	1119	281,9	1,50	5,13	1,29	218,2	3,17	8,03	
return gas temp.	-9	15	420,4	1436	361,8	1,74	5,94	1,50	241,7	3,29	10,34	
RGT= 32/90	-4	25	530,8	1813	456,8	2,01	6,87	1,73	264,0	3,42	13,12	
liquid temp	0	32	619,8	2117	533,4	2,22	7,58	1,91	279,2	3,52	15,37	
Tliq= 45/113	7,2	45	813,3	2778	700,0	2,64	9,02	2,27	307,9	3,70	20,34	
[°C / °F]	-35	-31	74,7	255	64,3	0,74	2,51	0,63	101,5	2,69	2,04	
cond. pressure	-23	-10	176,1	601	151,5	0,97	3,30	0,83	182,0	3,00	4,83	
pc= 55/131	-15	5	272,0	929	234,1	1,19	4,06	1,02	229,0	3,23	7,49	
return gas temp	-9	15	351,2	1199	302,2	1,37	4,67	1,18	257,0	3,38	9,72	
RGT= 32/90	-4	25	445,3	1521	383,2	1,57	5,37	1,35	283,0	3,54	12,38	
liquid temp	0	32	521,2	1780	448,5	1,73	5,92	1,49	300,5	3,65	14,55	
Tliq= 55/131	7,2	45	687,2	2347	591,4	2,07	7,06	1,78	332,3	3,87	19,37	



# NF Compressors







8238-23



Secop accepts no responsibility for possible errors in catalogs, brochures, and other printed material. Secop reserves the right to alter its products without notice. This also applies to products already on order provided that such alterations can be made without subsequential changes being necessary to specifications already agreed. All trademarks in this material are the property of the respective companies. Secop and the Secop logotype are trademarks of Secop GmbH. All rights reserved. [www.secop.com](http://www.secop.com)