

Single Pack TL2.5G 220-240V 50/60Hz CSIR

Single pack code number: **195B4265**

| Position | Title | Code | Amount |
|----------|---|----------|--------|
| 1 | Compressor TL2.5G | 102G4250 | 1 |
| 2 | Starting relay | 117U6007 | 1 |
| 3 | Starting capacitor (60 μ F 220V, 6.3mm) | 117U5014 | 1 |
| 4 | Cord relief | 103N1010 | 1 |
| 5 | Cover | 103N2011 | 1 |
| 6 | Bolt joint for one compressor M6 \varnothing 16mm | 118-1917 | 1 |

Secop GmbH • Lise-Meitner-Straße 29 • 24941 Flensburg, Germany • Tel: +49 461 4941 0 • www.secop.com

Secop accepts no responsibility for possible errors in catalogs, brochures, and other printed material. Secop reserves the right to alter its products without notice. This also applies to products already on order provided that such alterations can be made without subsequent changes being necessary to specifications already agreed. All trademarks in this material are the property of the respective companies. Secop and the Secop logotype are trademarks of Secop GmbH. All rights reserved.

TL2.5G Universal Compressor R134a 220-240V 50/60Hz

General

| | |
|-----------------------|--------------------------------|
| Code number | 102G4250 |
| Approvals | EN 60335-2-34 Annex AA , UL984 |
| Compressors on pallet | 125 |

Application

| Application | LBP/HBP | | | |
|--|---------|-----------|-----------|--|
| Frequency | Hz | 50 | 60 | |
| Evaporating temperature | °F | -31 to 59 | -31 to 59 | |
| Voltage range | V | 187 - 254 | 198 - 254 | |
| Max. condensing temperature continuous (short) | °F | 140 (158) | 140 (158) | |
| Max. winding temperature continuous (short) | °F | 257 (275) | 257 (275) | |

Cooling requirements

| Frequency | Hz | 50 | | | 60 | | |
|--|----|-----|-----|----------------|-----|-----|----------------|
| Application | | LBP | MBP | HBP | LBP | MBP | HBP |
| 90°F | | S | S | S | S | S | S |
| 100°F | | S | S | S | S | S | S |
| 110°F | | S | S | F ₂ | S | S | F ₂ |
| Remarks on application: HBP 50Hz: 198 - 254V HBP 60Hz: 207 - 254V | | | | | | | |

Motor

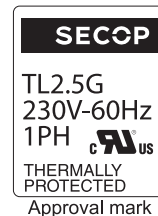
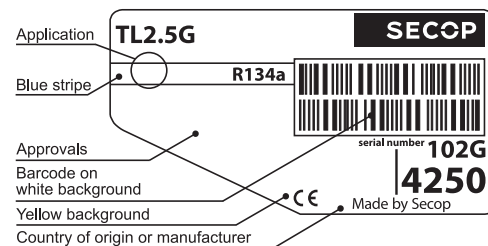
| Motor type | RSIR/CSIR | | |
|---|-----------|------|------|
| LRA (rated after 4 sec. UL984), HST LST | A | 4.5 | 2.8 |
| Cut in Current, HST LST | A | 4.5 | 7.2 |
| Resistance, main start winding (77°F) | Ω | 32.7 | 15.5 |

Design

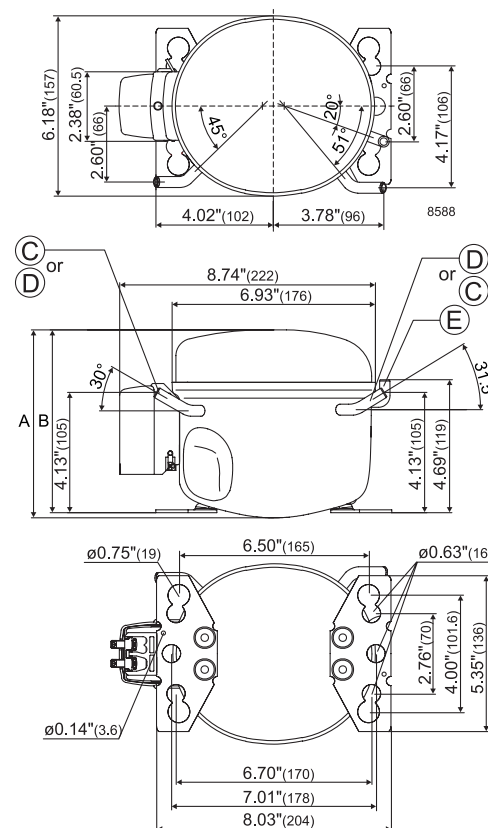
| | | |
|-------------------------------------|--------|-------------------|
| Displacement | cu.in | 0.16 |
| Oil quantity (type) | fl.oz. | 9.5 (polyolester) |
| Maximum refrigerant charge | oz. | 14.0 |
| Free gas volume in compressor | fl.oz. | 54.3 |
| Weight without electrical equipment | lbs. | 14.7 |

Dimensions

| | | | |
|----------------------|----------------------------|----|----------------------|
| Height | inch | A | 6.42 |
| | | B | 6.26 |
| | | B1 | - |
| | | B2 | - |
| Suction connector | location, I.D. in. angle | C | 0.252-0.259 30° |
| | material comment | | Copper Rubber plug |
| Process connector | location, I.D. in. angle | D | 0.252-0.259 31.5° |
| | material comment | | Copper Rubber plug |
| Discharge connector | location, I.D. in. angle | E | 0.189-0.193 90° |
| | material comment | | Copper Rubber plug |
| Oil cooler connector | location, I.D. in. angle | F | - |
| | material comment | | - |
| Remarks: | | | |



- S = Static cooling normally sufficient
- O = Oil cooling
- F₁ = Fan cooling 1.5 m/s
(compressor compartment temperature equal to ambient temperature)
- F₂ = Fan cooling 3.0 m/s necessary
- SG = Suction gas cooling normally sufficient
- = not applicable in this area



ASHRAE LBP

220V, 50Hz, static cooling

| | | | | | | | | | | | | | | | | | |
|--------------------|-----|-----|------|------|------|------|------|------|------|------|------|------|------|------|------|------|----|
| Evap. temp. in °F | -49 | -40 | -30 | -20 | -13 | -10 | 0 | 10 | 14 | 20 | 30 | 40 | 41 | 45 | 50 | 59 | 68 |
| Capacity in BTU/h | | | 53.8 | 108 | 152 | 173 | 250 | 342 | 385 | 454 | 588 | 747 | 764 | 836 | 934 | 1130 | |
| Power cons. in W | | | 48.1 | 54.4 | 59.5 | 61.9 | 70.4 | 79.7 | 83.7 | 89.8 | 101 | 112 | 113 | 117 | 123 | 134 | |
| Current cons. in A | | | 0.48 | 0.49 | 0.50 | 0.50 | 0.52 | 0.54 | 0.55 | 0.57 | 0.59 | 0.63 | 0.63 | 0.64 | 0.66 | 0.69 | |
| EER in BTU/Wh | | | 1.12 | 1.99 | 2.56 | 2.79 | 3.55 | 4.29 | 4.59 | 5.05 | 5.85 | 6.69 | 6.77 | 7.13 | 7.58 | 8.46 | |

ASHRAE LBP

220V, 60Hz, static cooling

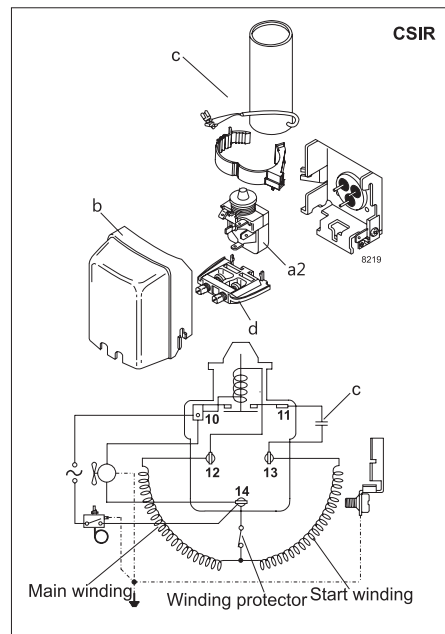
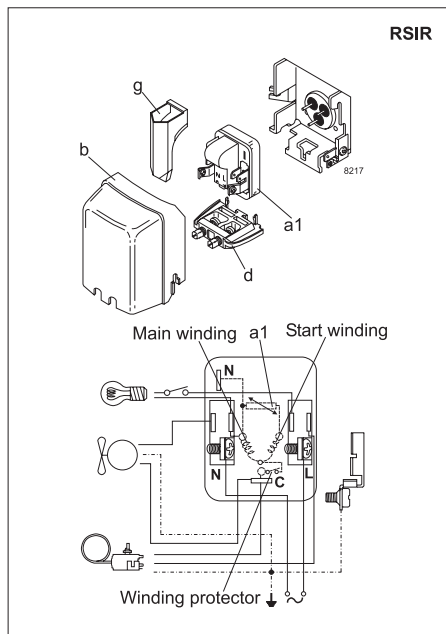
| | | | | | | | | | | | | | | | | | |
|--------------------|-----|-----|------|------|------|------|------|------|------|------|------|------|------|------|------|------|----|
| Evap. temp. in °F | -49 | -40 | -30 | -20 | -13 | -10 | 0 | 10 | 14 | 20 | 30 | 40 | 41 | 45 | 50 | 59 | 68 |
| Capacity in BTU/h | | | 65.6 | 129 | 179 | 203 | 291 | 399 | 447 | 527 | 682 | 865 | 885 | 969 | 1081 | 1307 | |
| Power cons. in W | | | 53.8 | 61.3 | 67.4 | 70.2 | 80.3 | 91.4 | 96.1 | 103 | 116 | 129 | 131 | 136 | 143 | 155 | |
| Current cons. in A | | | 0.46 | 0.47 | 0.48 | 0.49 | 0.50 | 0.52 | 0.53 | 0.55 | 0.57 | 0.60 | 0.61 | 0.62 | 0.64 | 0.67 | |
| EER in BTU/Wh | | | 1.22 | 2.10 | 2.66 | 2.89 | 3.63 | 4.36 | 4.65 | 5.10 | 5.87 | 6.69 | 6.77 | 7.12 | 7.57 | 8.41 | |

EN 12900 Household (CECOMAF) 220V, 50Hz, static cooling

| | | | | | | | | | | | | | | | | | |
|--------------------|-----|-----|------|------|------|------|------|------|------|------|------|------|------|------|------|------|----|
| Evap. temp. in °F | -49 | -40 | -30 | -20 | -13 | -10 | 0 | 10 | 14 | 20 | 30 | 40 | 41 | 45 | 50 | 59 | 68 |
| Capacity in BTU/h | | | 41.6 | 85.9 | 121 | 138 | 200 | 274 | 308 | 364 | 471 | 598 | 612 | 669 | 747 | 902 | |
| Power cons. in W | | | 48.1 | 54.5 | 59.6 | 62.0 | 70.5 | 79.9 | 83.9 | 90.1 | 101 | 112 | 113 | 118 | 124 | 134 | |
| Current cons. in A | | | 0.48 | 0.49 | 0.50 | 0.51 | 0.52 | 0.54 | 0.55 | 0.57 | 0.60 | 0.63 | 0.63 | 0.64 | 0.66 | 0.70 | |
| EER in BTU/Wh | | | 0.86 | 1.58 | 2.03 | 2.22 | 2.83 | 3.43 | 3.67 | 4.04 | 4.67 | 5.33 | 5.40 | 5.68 | 6.04 | 6.72 | |

EN 12900 Household (CECOMAF) 220V, 60Hz, static cooling

| | | | | | | | | | | | | | | | | | |
|--------------------|-----|-----|------|------|------|------|------|------|------|------|------|------|------|------|------|------|----|
| Evap. temp. in °F | -49 | -40 | -30 | -20 | -13 | -10 | 0 | 10 | 14 | 20 | 30 | 40 | 41 | 45 | 50 | 59 | 68 |
| Capacity in BTU/h | | | 50.8 | 102 | 143 | 162 | 234 | 320 | 359 | 423 | 546 | 693 | 709 | 775 | 865 | 1044 | |
| Power cons. in W | | | 53.9 | 61.4 | 67.5 | 70.3 | 80.4 | 91.6 | 96.3 | 104 | 116 | 130 | 131 | 137 | 144 | 156 | |
| Current cons. in A | | | 0.46 | 0.47 | 0.48 | 0.49 | 0.50 | 0.52 | 0.53 | 0.55 | 0.57 | 0.60 | 0.61 | 0.62 | 0.64 | 0.67 | |
| EER in BTU/Wh | | | 0.94 | 1.66 | 2.12 | 2.30 | 2.90 | 3.49 | 3.72 | 4.08 | 4.69 | 5.34 | 5.40 | 5.67 | 6.02 | 6.68 | |



| Accessories for | TL2.5G | Figure | Code number |
|---------------------------|-------------------------|--------|-------------|
| PTC starting device | 1/4 in. spade connect. | a1 | 103N0011 |
| | 3/16 in. spade connect. | | 103N0018 |
| Starting relay | 1/4 in. spade connect. | a2 | 117U6007 |
| Cover | | b | 103N2011 |
| Start. capacitor 60 µF | 1/4 in. spade connect. | c | 117U5014 |
| Cord relief | | d | 103N1010 |
| Protection screen for PTC | | g | 103N0476 |

| Test conditions | ASHRAE LBP | EN 12900/CECOMAF |
|--------------------|------------|------------------|
| Condensing temp. | 130°F | 131°F |
| Ambient temp. | 90°F | 90°F |
| Suction gas temp | 90°F | 90°F |
| Liquid temperature | 90°F | no subcooling |

| Mounting accessories | | Code number |
|--------------------------|------------|-------------|
| Bolt joint for one comp. | Ø: 5/8 in. | 118-1917 |
| Bolt joint in quantities | Ø: 5/8 in. | 118-1918 |
| Snap-on in quantities | Ø: 5/8 in. | 118-1919 |

Secop accepts no responsibility for possible errors in catalogs, brochures, and other printed material. Secop reserves the right to alter its products without notice. This also applies to products already on order provided that such alterations can be made without substantial changes being necessary to specifications already agreed. All trademarks in this material are the property of the respective companies. Secop and the Secop logotype are trademarks of Secop GmbH. All rights reserved. www.secop.com



TL Compressors





Service/Repair – R600a, R290



8545

Brazing on Suction Connectors (Direct Intake)

representative image



**! max. 150°C/302°F !
at socket**
brazing solder: phosphor (LP7) or silver

Refer to Product Bulletin:
**Brazing on Suction Connectors
(Compressors with Direct Suction Intake)**

Secop accepts no responsibility for possible errors in catalogs, brochures, and other printed material. Secop reserves the right to alter its products without notice. This also applies to products already on order provided that such alterations can be made without subsequential changes being necessary to specifications already agreed. All trademarks in this material are the property of the respective companies. Secop and the Secop logotype are trademarks of Secop GmbH. All rights reserved. www.secop.com