

Single Pack SCE18MNX 115V 60Hz CSCR

Single pack code number: **195B4279**

Position	Title	Code	Amount
1	Compressor SCE18MNX	104H7879	1
2	SC starting device (600mm)	117-7805	1
3	Bolt joint for one compressor M6 ø16mm	118-1917	1

Secop GmbH • Lise-Meitner-Straße 29 • 24941 Flensburg, Germany • Tel: +49 461 4941 0 • www.secop.com

Secop accepts no responsibility for possible errors in catalogs, brochures, and other printed material. Secop reserves the right to alter its products without notice. This also applies to products already on order provided that such alterations can be made without subsequent changes being necessary to specifications already agreed. All trademarks in this material are the property of the respective companies. Secop and the Secop logotype are trademarks of Secop GmbH. All rights reserved.

Model

Designation	SCE18MNX	115V/60Hz 1~	Sales code:	104H7879
-------------	-----------------	--------------	-------------	-----------------

Compressor design

Oil type	Polyolester	Refrigerant(s)	R290
Oil viscosity	32cSt	Displacement	17,68cm ³ / 1,08cu.in
Oil quantity	550cm ³ / 18,6fl.oz	Compressors on pallet	80
Refr. charge - tech. limit	450g / 15,9oz		
Free gas volume comp.	1460cm ³ / 49,4fl.oz		
Weight	14,2kg / 31,3lbs		
Motor protection	external		
Winding resistance main	0,7Ω (at 25°C)		
Winding resistance aux	2,81Ω (at 25°C)		
Max. winding temp.	125°C / 257°F		
Max. discharge temp.	135°C / 275°F		



General - Configurations with SCE18MNX

	Conf. 1	Conf. 2
Motorconfiguration	CSCR	CSIR
Power supply (nominal)	115V/60Hz	115V/60Hz
Number of phases	1	1
Voltage range	103-127V	103-127V
Approvals	UL, EAC	UL, EAC
Starting torque	HST	HST
Note	Protector and cover are included and pre-assembled to compressor.	

Applications with SCE18MNX

	Conf. 1	Conf. 2
Refrigerant	R290	R290
Application	MBP	MBP
System cooling	fan 3m/s	fan 3m/s
Hot gas defrost	OK	OK
Long interval pull down	OK	OK

Electrical data - Configurations with SCE18MNX

	Conf. 1	Conf. 2
Starting device type	relay	relay
Run capacitor	23,5μF	-/-
Start capacitor	410μF	410μF
LRA (locked rotor amps / 4s/ U(N))	56,6A	55,9A
RLA (rated load amps / 1s/ U(N))	8,98A	9,87A
Cut in current (U(N))	56,6A	55,9A

Model

Designation

SCE18MNX

115V/60Hz 1~

Sales code:

104H7879

Compressor dimensions

Housing	A Height	219mm / 8,62in
	B Height	213mm / 8,39in
	C Length shell	218mm / 8,58in
	D Length w. cover	255mm / 10,04in
	E Width	151mm / 5,94in

Connectors		Suction	Discharge	Process
		X	Y	Z
Diameter	[mm]	øi 9,54-9,72	øi 6,41-6,59	øi 6,41-6,59
(i:inside, o:outside)	[in]	øi 0,38-0,38	øi 0,25-0,26	øi 0,25-0,26
Material		copper	copper	copper
Horizontal angle	±2°	37°	37°	143°
Vertical angle	±2°	30°	0°	150°
Position l/h/w	[mm]	107/193/55	115/110/63	-107/193/55
	[in]	4,2/7,6/2,2	4,5/4,3/2,5	-4,2/7,6/2,2
Straight tube l.	[mm]	12	12	12
	[in]	0,5	0,5	0,5



Compressor fixation

Baseplate	[mm]	[inch]
BI	204	8.03
Bw	150	5.9
øE	ø 9.7	ø 0.38

Large holes	[mm]	[inch]
LI	165	6.5
Lw	101.6	4
øL	ø 19	ø 0.75

Small holes	[mm]	[inch]
SI	170	6.7
Sw	70	2.76
øS	ø 16	ø 0.63
QI	127	5
Qw	127	5

Bolt joint



Snap-on



Mounting accessories

Mounting accessories	one comp.	multi pack
Bolt joint M6 ø16mm	118-1917	118-1918
Bolt joint ø1/4" ø16mm	118-1946	
Bolt joint ø1/4" ø19mm	118-1949	
Snap-on ø7,3 ø16mm	118-1947	118-1919

Application notes

Provision for PE Grounding is located at the PE Stamp on the compressor

Model

Designation	SCE18MNX	115V/60Hz	Conf. 1	Sales code:	104H7879
-------------	-----------------	------------------	----------------	-------------	-----------------

Configuration

Motor configuration	CSCR
Power supply (nominal)	115V/60Hz 1~
Refrigerant	R290
Application	MBP
Voltage range	103-127V
Starting torque	HST
Approvals	UL EAC

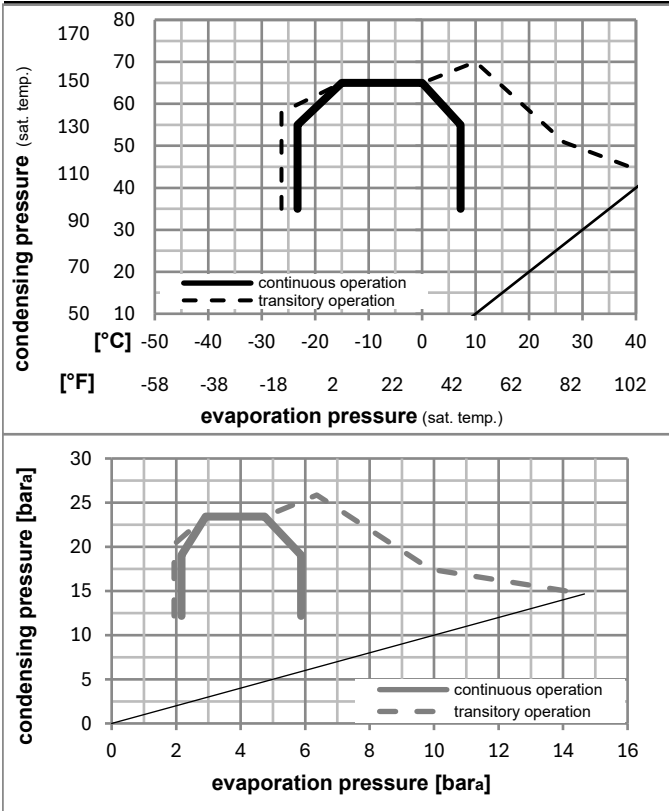
Electrical accessories / wiring diagram



Ambient/ machine room temperatures minimum /maximum

Ambient temperature range:	10 - 43°C / 50 - 110°F
Machine room temperature range:	10 - 48°C / 50 - 119°F
Compressor cooling:	fan 3m/s

Operation pressure range



Components (protector (f)+ holder (h)+ cover (b): pre assembled)

a3	SC starter kit (600mm)	117-7805
h	protector holder	117U0439
f	ext. protector (T0803)	117U3220
b	plastic cover + clamp	117U1021

Alternative comp.

a2	potential relay (RVA 7AB3R A39)	117-7443
e	run capacitor (23,5µF, 6.3mm)	117-7133
c	start capacitor (410µF, 6.3mm)	117U5379

Model

Designation **SCE18MNX** **115V/60Hz** Conf. 1 Sales code: **104H7879**

Optimization + standard conditions

R290, 115V/60Hz, CSCR, fan 3m/s, UL, EAC

		Evaporating pressure (saturation temperature)				Cooling capacity			COP	EER	Power consumption				
		Condensing pressure (saturation temperature)									Current consumption		Ref. mass flow		
		Return gas temp.									I		m		
		Liquid temp.													
		Cooling capacity													
		pe	pc	RGT	Tliq	[W]	[Btu/h]	[kcal/h]	[W/W]	[Btu/Wh]	[kcal/Wh]	P1	I	m	
		[°C]	[°C]	[°C]	[°C]	[W]	[Btu/h]	[kcal/h]	[W/W]	[Btu/Wh]	[kcal/Wh]	[W]	[A]	[kg/h]	
[°C]	-7	54	35	46	1796,7	6136	1546,3	2,13	7,26	1,83	845,0	8,43	20,50	ASHRAE MBP	
[°F]	20	130	95	115											
[°C]	-10	55	32	55	1421,4	4854	1223,2	1,76	6,03	1,52	805,5	8,13	17,98	cecomaf MBP	
[°F]	14	131	90	131											
[°C]	-10	45	20	45	1595,5	5449	1373,1	2,16	7,38	1,86	738,2	7,73	19,59	EN12900 MBP	
[°F]	14	113	68	113											
[°C]	-7	49	18	49	1697,2	5796	1460,6	2,12	7,25	1,83	799,6	8,18	22,04	ARI540 MBP	
[°F]	20	120	65	120											
[°C]	-10	45	32	45	1661,0	5673	1429,5	2,25	7,68	1,94	738,2	7,73	19,00	opt	
[°F]	14	113	90	113											
[°C]	-25	45	32	45	847,9	2896	729,7	1,48	5,04	1,27	574,5	6,28	9,56	opt	
[°F]	-13	113	90	113											

Performance tables

R290, 115V/60Hz, CSCR, fan 3m/s, UL, EAC

	pe		Cooling capacity			COP	EER	P1	I	m	
	[°C]	[°F]	[W]	[Btu/h]	[kcal/h]	[W/W]	[Btu/Wh]	[kcal/Wh]	[W]	[A]	[kg/h]
[°C / °F]	-25	-13	847,9	2896	729,7	1,48	5,04	1,27	574,5	6,28	9,56
cond. pressure	-23	-10	926,0	3162	796,9	1,55	5,31	1,34	595,8	6,48	10,46
pc= 45/113	-15	5	1358,9	4641	1169,5	1,97	6,72	1,69	690,2	7,33	15,46
return gas temp.	-9	15	1696,9	5795	1460,4	2,28	7,80	1,96	743,2	7,77	19,43
RGT= 32/90	-4	25	2084,3	7118	1793,8	2,64	9,02	2,27	789,3	8,14	24,04
liquid temp	0	32	2389,6	8161	2056,5	2,92	9,98	2,51	818,0	8,37	27,72
Tliq= 45/113	7,2	45	3041,9	10389	2617,9	3,52	12,01	3,03	864,7	8,71	35,74
[°C / °F]	-25	-13	658,0	2247	566,3	1,19	4,05	1,02	554,5	6,33	8,19
cond. pressure	-23	-10	735,7	2512	633,1	1,25	4,28	1,08	587,2	6,56	9,17
pc= 55/131	-15	5	1147,4	3919	987,5	1,57	5,35	1,35	732,2	7,60	14,43
return gas temp	-9	15	1453,4	4964	1250,8	1,79	6,10	1,54	813,0	8,19	18,40
RGT= 32/90	-4	25	1794,6	6129	1544,4	2,03	6,95	1,75	882,4	8,71	22,90
liquid temp	0	32	2059,0	7032	1772,0	2,23	7,61	1,92	924,6	9,04	26,45
Tliq= 55/131	7,2	45	2616,8	8937	2252,0	2,64	9,02	2,27	990,4	9,61	34,09

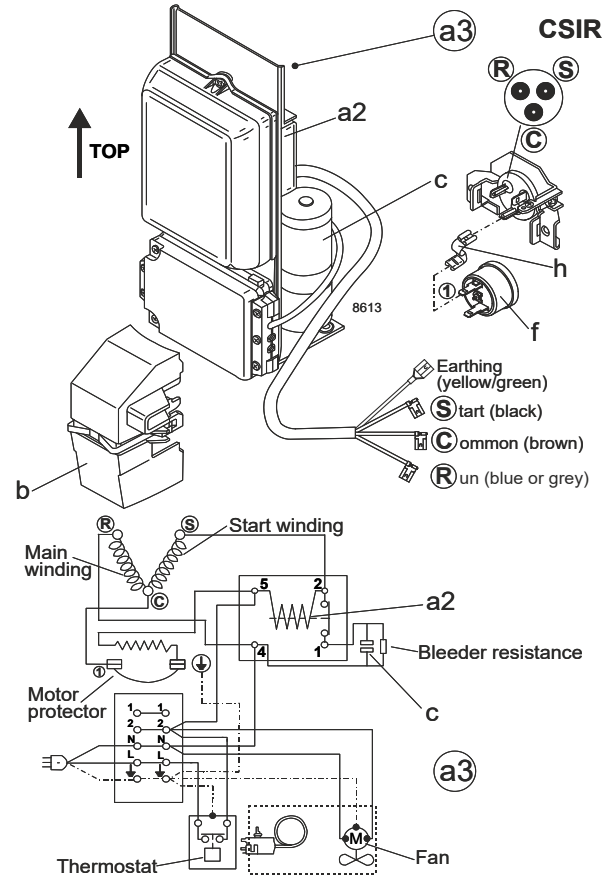
Model

Designation	SCE18MNX	115V/60Hz	Conf. 2	Sales code:	104H7879
-------------	-----------------	------------------	----------------	-------------	-----------------

Configuration

Motorconfiguration	CSIR
Power supply (nominal)	115V/60Hz 1~
Refrigerant	R290
Application	MBP
Voltage range	103-127V
Starting torque	HST
Approvals	UL EAC

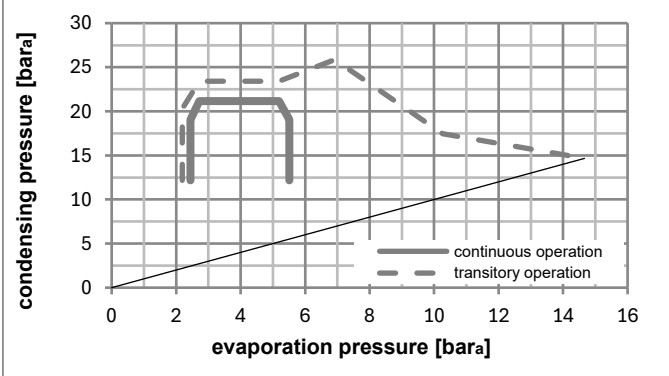
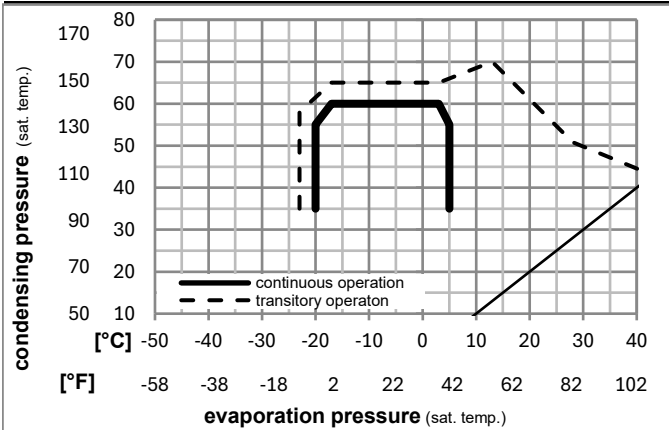
Electrical accessories / wiring diagram



Ambient/ machine room temperatures minimum /maximum

Ambient temperature range:	10 - 43°C / 50 - 110°F
Machine room temperature range:	10 - 48°C / 50 - 119°F
Compressor cooling:	fan 3m/s

Operation pressure range



Components (protector (f)+ holder (h)+ cover (b): pre assembled)

a3	SC starter kit (600mm)	117-7803
h	protector holder	117U0439
f	ext. protector (T0803)	117U3220
b	plastic cover + clamp	117U1021

Alternative comp.

a2	potential relay (RVA 7AB3R A39)	117-7443
c	start capacitor (410µF, 6.3mm)	117U5379

Model

Designation **SCE18MNX** **115V/60Hz** Conf. 2 Sales code: **104H7879**

Optimization + standard conditions

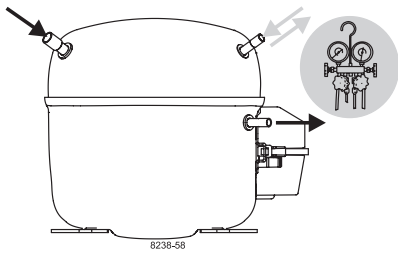
R290, 115V/60Hz, CSIR, fan 3m/s, UL, EAC

		Evaporating pressure (saturation temperature)				Condensing pressure (saturation temperature)						Power consumption			
		Return gas temp.				Liquid temp.						Current consumption			Ref. mass flow
		Cooling capacity				COP	EER		P1	I	m				
		pe	pc	RGT	Tliq	[W]	[Btu/h]	[kcal/h]	[W/W]	[Btu/Wh]	[kcal/Wh]	[W]	[A]	[kg/h]	
[°C]	-7	54	35	46	1783,7	6092	1535,1	1,98	6,78	1,71	898,8	10,38	20,35	ASHRAE MBP	
[°F]	20	130	95	115											
[°C]	-10	55	32	55	1411,1	4819	1214,4	1,65	5,62	1,42	856,8	10,01	17,85	cecomaf MBP	
[°F]	14	131	90	131											
[°C]	-10	45	20	45	1584,0	5410	1363,2	2,02	6,89	1,74	785,2	9,52	19,45	EN12900 MBP	
[°F]	14	113	68	113											
[°C]	-7	49	18	49	1684,9	5754	1450,1	1,98	6,77	1,70	850,5	10,07	21,88	ARI540 MBP	
[°F]	20	120	65	120											
[°C]	-10	45	32	45	1649,0	5632	1419,1	2,10	7,17	1,81	785,2	9,52	18,86	opt	
[°F]	14	113	90	113											
[°C]	-25	45	32	45	841,8	2875	724,5	1,38	4,70	1,19	611,1	7,74	9,49	opt	
[°F]	-13	113	90	113											

Performance tables

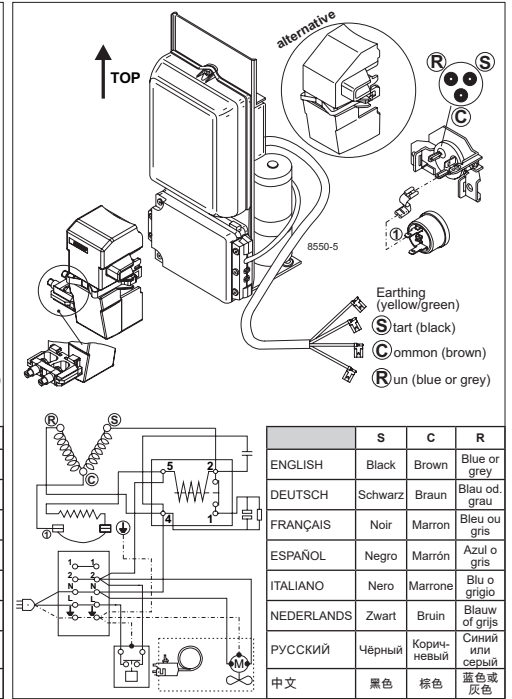
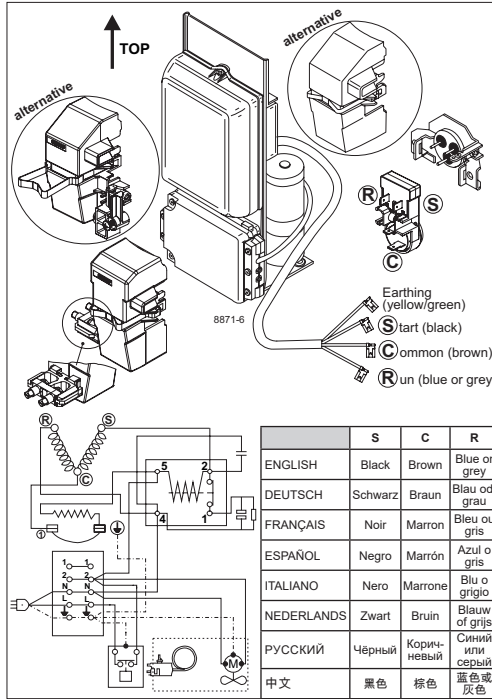
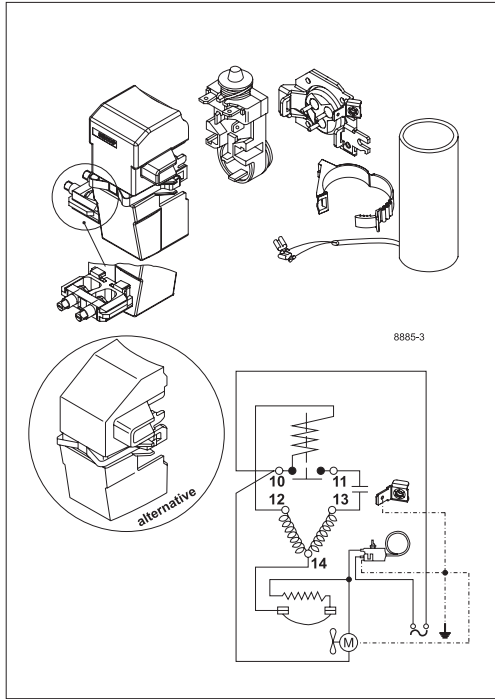
R290, 115V/60Hz, CSIR, fan 3m/s, UL, EAC

	pe		Cooling capacity			COP	EER		P1	I	m
	[°C]	[°F]	[W]	[Btu/h]	[kcal/h]	[W/W]	[Btu/Wh]	[kcal/Wh]	[W]	[A]	[kg/h]
[°C / °F]	-20	-4	1082,1	3696	931,3	1,60	5,46	1,38	676,4	8,43	12,25
cond. pressure	-15	5	1349,1	4607	1161,0	1,84	6,28	1,58	734,2	9,02	15,35
pc= 45/113	-9	15	1684,6	5753	1449,8	2,13	7,28	1,83	790,5	9,57	19,29
return gas temp.	-7	20	1870,3	6387	1609,6	2,29	7,83	1,97	815,9	9,81	21,49
RGT= 32/90	-4	25	2069,3	7067	1780,8	2,46	8,42	2,12	839,5	10,03	23,86
liquid temp	0	32	2372,3	8102	2041,6	2,73	9,31	2,35	870,1	10,30	27,52
Tliq= 45/113	5	41	2808,1	9590	2416,7	3,10	10,59	2,67	905,3	10,61	32,85
[°C / °F]	-20	-4	888,6	3035	764,7	1,29	4,40	1,11	690,1	8,62	11,11
cond. pressure	-15	5	1139,1	3890	980,3	1,46	5,00	1,26	778,8	9,36	14,32
pc= 55/131	-9	15	1442,9	4928	1241,8	1,67	5,70	1,44	864,8	10,08	18,27
return gas temp	-7	20	1607,4	5489	1383,3	1,78	6,08	1,53	903,2	10,41	20,43
RGT= 32/90	-4	25	1781,6	6085	1533,3	1,90	6,48	1,63	938,6	10,72	22,74
liquid temp	0	32	2044,1	6981	1759,2	2,08	7,10	1,79	983,5	11,14	26,25
Tliq= 55/131	5	41	2417,5	8256	2080,5	2,34	7,99	2,01	1033,7	11,63	31,35



SCE Compressors

(External Protector)



	S	C	R
ENGLISH	Black	Brown	Blue or grey
DEUTSCH	Schwarz	Braun	Blau od. grau
FRANÇAIS	Noir	Marron	Bleu ou gris
ESPAÑOL	Negro	Marrón	Azul o gris
ITALIANO	Nero	Marrone	Blu o grigio
NEDERLANDS	Zwart	Bruin	Blauw of grijs
РУССКИЙ	Чёрный	Коричневый	Синий или серый
中文	黑色	棕色	蓝色或灰色

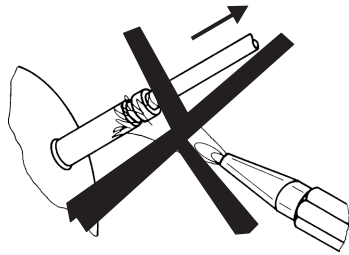
	S	C	R
ENGLISH	Black	Brown	Blue or grey
DEUTSCH	Schwarz	Braun	Blau od. grau
FRANÇAIS	Noir	Marron	Bleu ou gris
ESPAÑOL	Negro	Marrón	Azul o gris
ITALIANO	Nero	Marrone	Blu o grigio
NEDERLANDS	Zwart	Bruin	Blauw of grijs
РУССКИЙ	Чёрный	Коричневый	Синий или серый
中文	黑色	棕色	蓝色或灰色



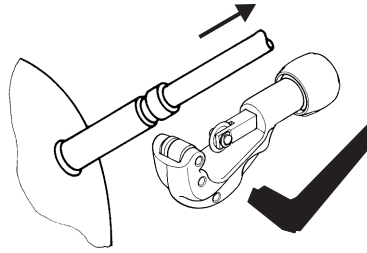
SCE Compressors (External Protector)



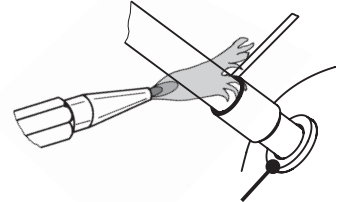
Service/Repair – R290



8545



Brazing on Suction Connectors (Direct Intake)



! max. 350°C/662°F !
at socket
brazing solder: phosphor (LP7) or silver

8882

Refer to Product Bulletin:
Brazing on Suction Connectors
(SCE Compressors with Direct Suction Intake)

Secop accepts no responsibility for possible errors in catalogs, brochures, and other printed material. Secop reserves the right to alter its products without notice. This also applies to products already on order provided that such alterations can be made without subsequential changes being necessary to specifications already agreed. All trademarks in this material are the property of the respective companies. Secop and the Secop logotype are trademarks of Secop GmbH. All rights reserved. www.secop.com