

Single Pack SC15MFX 220-240V 50Hz CSIR

Single pack code number: **195B4370**

Position	Title	Code	Amount
1	Compressor SC15MFX	104G8501	1
2	Starting relay	117U6005	1
3	Starting capacitor (80 μ F 220V, 6.3mm)	117U5017	1
4	Cord relief	103N1004	1
5	Cover	103N2008	1
6	Bolt joint for one compressor M6 \varnothing 16mm	118-1917	1

Secop GmbH • Lise-Meitner-Straße 29 • 24941 Flensburg, Germany • Tel: +49 461 4941 0 • www.secop.com

Secop accepts no responsibility for possible errors in catalogs, brochures, and other printed material. Secop reserves the right to alter its products without notice. This also applies to products already on order provided that such alterations can be made without subsequent changes being necessary to specifications already agreed. All trademarks in this material are the property of the respective companies. Secop and the Secop logotype are trademarks of Secop GmbH. All rights reserved.

Model

Designation	SC15MFX	220-240V/50Hz 1~	Sales code:	104G8501
-------------	----------------	------------------	-------------	-----------------

Compressor design

Oil type	Polyolester	Refrigerant(s)	R134a, R513A
Oil viscosity	22cSt	Displacement	15,28cm ³ / 0,93cu.in
Oil quantity	449cm ³ / 15,2fl.oz	Compressors on pallet	80
Refr. charge - tech. limit	1300g / 45,9oz		
Free gas volume comp.	1410cm ³ / 47,7fl.oz		
Weight	13,2kg / 29,1lbs		
Motor protection	1# internal		
Winding resistance main	5,13Ω (at 25°C)		
Winding resistance aux	13,51Ω (at 25°C)		
Max. winding temp.	125°C / 257°F		
Max. discharge temp.	130°C / 266°F		



General - Configurations with SC15MFX

	Conf. 1	Conf. 2
Motorconfiguration	CSIR	CSIR
Power supply (nominal)	220-240V/50Hz	220-240V/50Hz
Number of phases	1	1
Voltage range	198-254V	198-254V
Approvals	VDE, CCC, EAC	VDE, CCC, EAC
Starting torque	HST	HST
Note	- / -	

Applications with SC15MFX

	Conf. 1	Conf. 2
Refrigerant	R134a	R513A
Application	MBP	MBP
System cooling	fan 3m/s	fan 3m/s
Hot gas defrost	OK	OK
Long interval pull down	OK	OK

Electrical data - Configurations with SC15MFX

	Conf. 1	Conf. 2
Starting device type	relay	relay
Run capacitor	- / -	- / -
Start capacitor	80μF	80μF
LRA (locked rotor amps / 4s/ U(N))	16,2A	16,2A
RLA (rated load amps / 1s/ U(N))	3,1A	3,1A
Cut in current (U(N))	16,2A	16,2A

Model

Designation

SC15MFX

220-240V/50Hz 1~

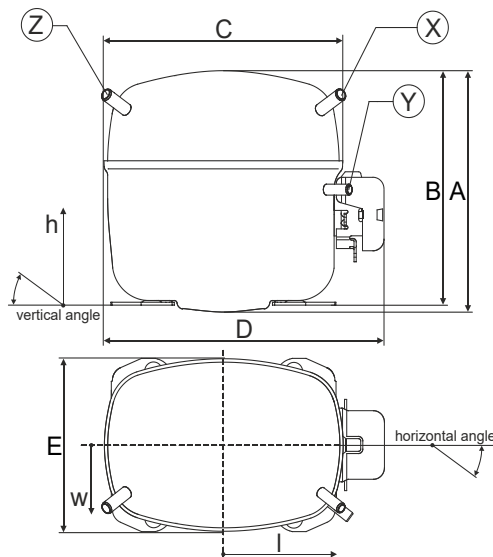
Sales code:

104G8501

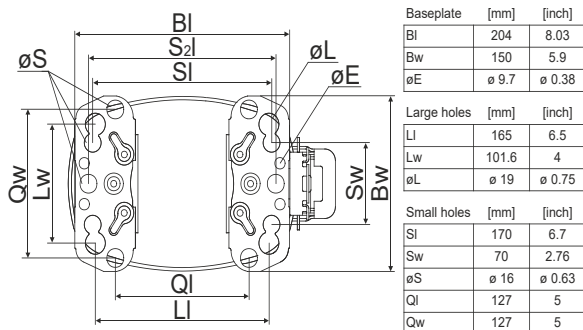
Compressor dimensions

Housing	A Height	209mm / 8,23in
	B Height	203mm / 7,99in
	C Length shell	218mm / 8,58in
	D Length w. cover	255mm / 10,04in
	E Width	151mm / 5,94in

Connectors		Suction	Discharge	Process
		X	Y	Z
Diameter	[mm]	øi 10,11-10,29	øi 6,11-6,29	øi 6,11-6,29
(i:inside, o:outside)	[in]	øi 0,4-0,41	øi 0,24-0,25	øi 0,24-0,25
Material		copper	copper	copper
Horizontal angle	±2°	37°	37°	143°
Vertical angle	±2°	30°	0°	150°
Position l/h/w	[mm]	107/183/55	115/100/63	-107/183/55
	[in]	4,2/7,2/2,2	4,5/3,9/2,5	-4,2/7,2/2,2
Straight tube l.	[mm]	12	12	12
	[in]	0,5	0,5	0,5



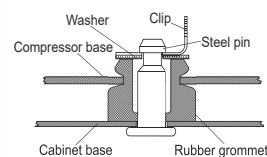
Compressor fixation



Bolt joint



Snap-on



Mounting accessories

Mounting accessories	one comp.	multi pack
Bolt joint M6 ø16mm	118-1917	118-1918
Bolt joint ø1/4" ø16mm	118-1946	
Bolt joint ø1/4" ø19mm	118-1949	
Snap-on ø7,3 ø16mm	118-1947	118-1919

Application notes

Provision for PE Grounding is located at the PE Stamp on the compressor

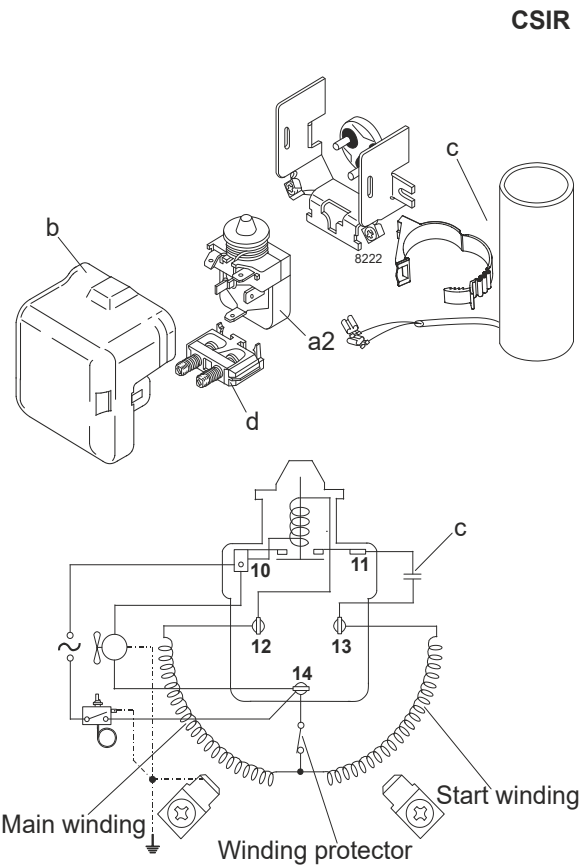
Model

Designation	SC15MFX	220-240V/50Hz	Conf. 1	Sales code:	104G8501
-------------	----------------	----------------------	----------------	-------------	-----------------

Configuration

Motor configuration	CSIR
Power supply (nominal)	220-240V/50Hz 1~
Refrigerant	R134a
Application	MBP
Voltage range	198-254V
Starting torque	HST
Approvals	VDE
	CCC
	EAC

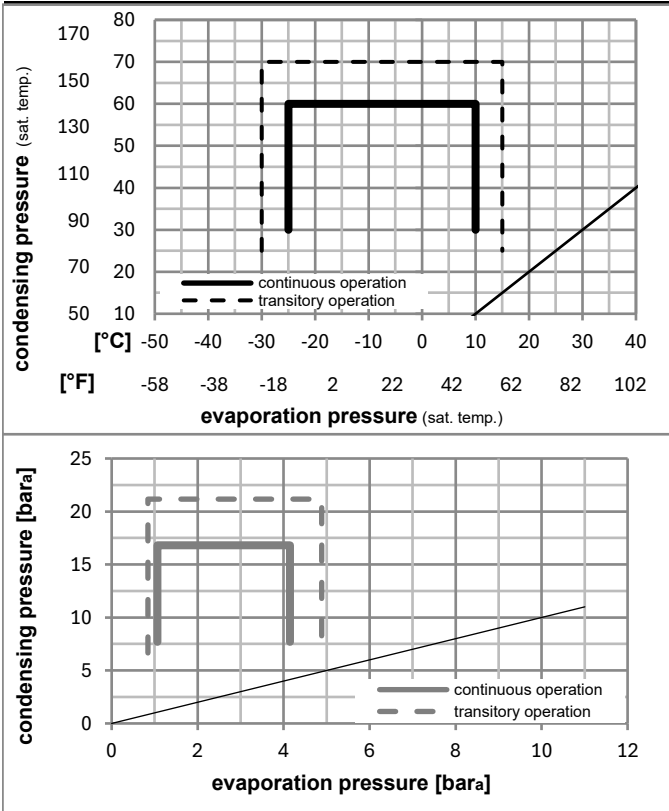
Electrical accessories / wiring diagram



Ambient/ machine room temperatures minimum /maximum

Ambient temperature range:	10 - 43°C / 50 - 110°F
Machine room temperature range:	10 - 48°C / 50 - 119°F
Compressor cooling:	fan 3m/s

Operation pressure range



Components

a2	relay	117U6005
c	start capacitor (80μF)	117U5017
d	cord relief	103N1004
b	plastic cover	103N2008

Model

Designation **SC15MFX** **220-240V/50Hz** Conf. 1 Sales code: **104G8501**

Optimization + standard conditions

R134a, 220V/50Hz, CSIR, fan 3m/s, VDE, CCC, EAC

		Evaporating pressure (saturation temperature)				Condensing pressure (saturation temperature)						Power consumption					
		Return gas temp.				Liquid temp.						Current consumption			Ref. mass flow		
		Cooling capacity				COP		EER		P1	I	m					
		pe	pc	RGT	Tliq	[W]	[Btu/h]	[kcal/h]	[W/W]	[Btu/Wh]	[kcal/Wh]	[W]	[A]	[kg/h]			
[°C]	[°F]																
-7	20	54	130	35	95	46	115	786,3	2685	676,7	1,66	5,68	1,43	472,7	2,90	17,16	ASHRAE MBP
-10	14	55	131	32	90	55	131	601,6	2054	517,7	1,38	4,70	1,18	437,4	2,78	14,55	cecomaf MBP
-10	14	45	113	20	68	45	113	676,2	2309	582,0	1,63	5,57	1,40	414,4	2,70	15,83	EN12900 MBP
-7	20	49	120	18	65	49	120	746,6	2550	642,6	1,63	5,57	1,40	458,1	2,85	18,44	ARI540 MBP
-10	14	45	113	32	90	45	113	701,6	2396	603,8	1,69	5,78	1,46	414,4	2,70	15,35	opt
-25	-13	45	113	32	90	45	113	290,0	990	249,6	1,07	3,66	0,92	270,3	2,25	6,28	opt

Performance tables

R134a, 220V/50Hz, CSIR, fan 3m/s, VDE, CCC, EAC

	pe		Cooling capacity			COP	EER	P1	I	m	
	[°C]	[°F]	[W]	[Btu/h]	[kcal/h]	[W/W]	[Btu/Wh]	[kcal/Wh]	[W]	[A]	[kg/h]
[°C / °F]	-25	-13	290,0	990	249,6	1,07	3,66	0,92	270,3	2,25	6,28
cond. pressure	-20	-4	404,0	1380	347,7	1,27	4,33	1,09	318,8	2,40	8,78
pc= 45/113	-15	5	540,6	1846	465,2	1,47	5,03	1,27	367,3	2,55	11,78
return gas temp.	-10	14	701,6	2396	603,8	1,69	5,78	1,46	414,4	2,70	15,35
RGT= 32/90	0	32	1103,7	3769	949,9	2,21	7,55	1,90	499,5	2,99	24,41
liquid temp	5	41	1348,3	4605	1160,4	2,52	8,61	2,17	534,8	3,13	30,02
Tliq= 45/113	10	50	1624,3	5547	1397,9	2,88	9,84	2,48	563,6	3,25	36,45
[°C / °F]	-25	-13	225,8	771	194,3	0,81	2,77	0,70	278,2	2,30	5,40
cond. pressure	-20	-4	332,9	1137	286,5	1,01	3,45	0,87	329,5	2,44	7,99
pc= 55/131	-15	5	457,6	1563	393,8	1,19	4,08	1,03	383,0	2,61	11,02
return gas temp	-10	14	601,6	2054	517,7	1,38	4,70	1,18	437,4	2,78	14,55
RGT= 32/90	0	32	954,2	3259	821,2	1,75	5,99	1,51	543,7	3,16	23,34
liquid temp	5	41	1166,3	3983	1003,8	1,97	6,72	1,69	592,9	3,35	28,74
Tliq= 55/131	10	50	1404,7	4797	1208,9	2,20	7,52	1,90	637,8	3,55	34,92

Model

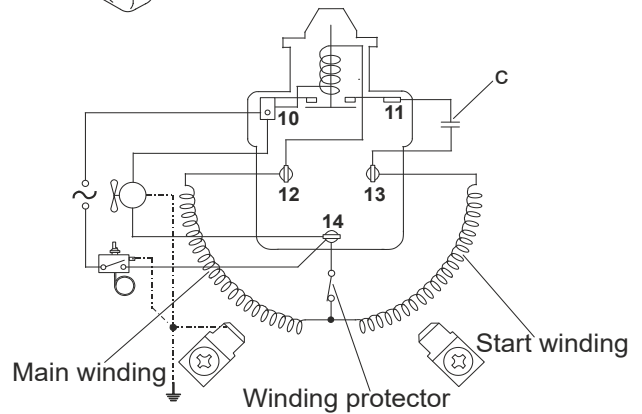
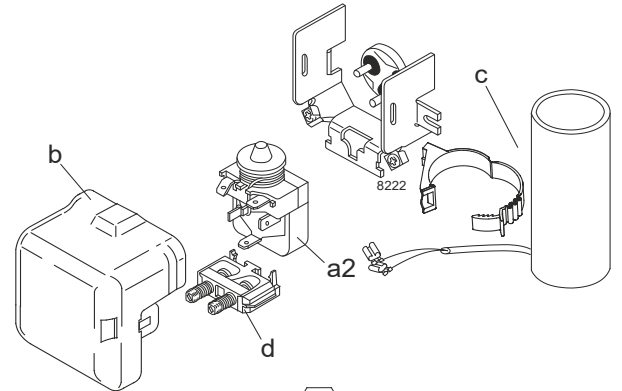
Designation	SC15MFX	220-240V/50Hz	Conf. 2	Sales code:	104G8501
-------------	----------------	----------------------	----------------	-------------	-----------------

Configuration

Motor configuration	CSIR
Power supply (nominal)	220-240V/50Hz 1~
Refrigerant	R513A
Application	MBP
Voltage range	198-254V
Starting torque	HST
Approvals	VDE
	CCC
	EAC

Electrical accessories / wiring diagram

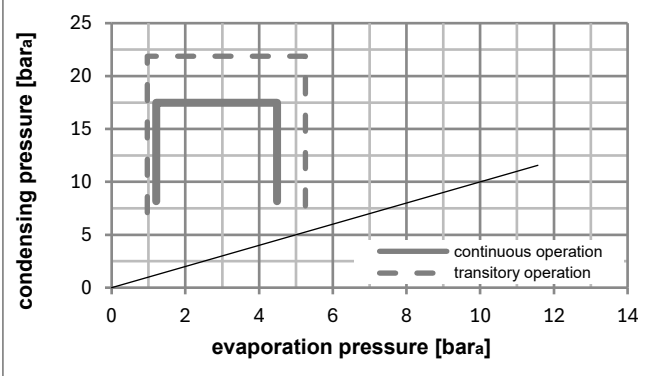
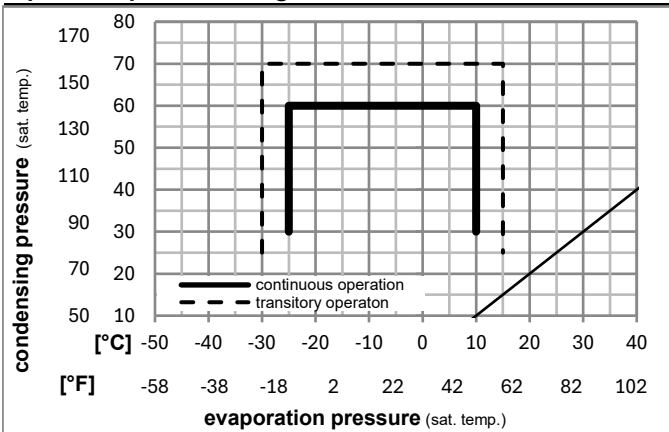
CSIR



Ambient/ machine room temperatures minimum /maximum

Ambient temperature range:	10 - 43°C / 50 - 110°F
Machine room temperature range:	10 - 48°C / 50 - 119°F
Compressor cooling:	fan 3m/s

Operation pressure range



Components

a2	relay	117U6005
c	start capacitor (80µF)	117U5017
d	cord relief	103N1004
b	plastic cover	103N2008

Model

Designation **SC15MFX** **220-240V/50Hz** Conf. 2 Sales code: **104G8501**

Optimization + standard conditions

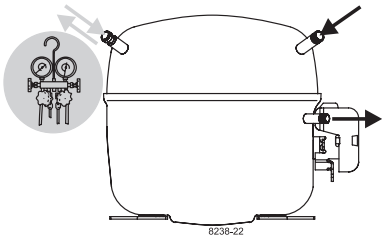
R513A, 220V/50Hz, CSIR, fan 3m/s, VDE, CCC, EAC

		Evaporating pressure (saturation temperature)				Condensing pressure (saturation temperature)						Power consumption							
		Return gas temp.		Liquid temp.		Cooling capacity						COP		EER		P1	I	Ref. mass flow	
		pe	pc	RGT	Tliq	[W]	[Btu/h]	[kcal/h]	[W/W]	[Btu/Wh]	[kcal/Wh]	[W]	[A]	[kg/h]					
[°C]	-7	54	35	46	826,7	2823	711,5	1,65	5,63	1,42	501,1	3,01	20,25	ASHRAE MBP					
[°F]	20	130	95	115															
[°C]	-10	55	32	55	625,3	2136	538,2	1,34	4,59	1,16	465,2	2,89	17,29	cecomaf MBP					
[°F]	14	131	90	131															
[°C]	-10	45	20	45	708,0	2418	609,3	1,61	5,51	1,39	438,7	2,80	18,76	EN12900 MBP					
[°F]	14	113	68	113															
[°C]	-7	49	18	49	771,4	2634	663,9	1,59	5,43	1,37	484,8	2,96	21,74	ARI540 MBP					
[°F]	20	120	65	120															
[°C]	-10	45	32	45	740,3	2528	637,1	1,69	5,76	1,45	438,7	2,80	18,20	opt					
[°F]	14	113	90	113															
[°C]	-25	45	32	45	317,5	1084	273,2	1,11	3,79	0,95	286,1	2,30	7,74	opt					
[°F]	-13	113	90	113															

Performance tables

R513A, 220V/50Hz, CSIR, fan 3m/s, VDE, CCC, EAC

	pe		Cooling capacity			COP	EER	P1	I	m	
	[°C]	[°F]	[W]	[Btu/h]	[kcal/h]	[W/W]	[Btu/Wh]				[kcal/Wh]
[°C / °F]	-25	-13	317,5	1084	273,2	1,11	3,79	0,95	286,1	2,30	7,74
cond. pressure	-20	-4	435,9	1489	375,2	1,29	4,40	1,11	338,3	2,47	10,65
pc= 45/113	-15	5	576,3	1968	496,0	1,48	5,05	1,27	389,6	2,64	14,12
return gas temp.	-10	14	740,3	2528	637,1	1,69	5,76	1,45	438,7	2,80	18,20
RGT= 32/90	0	32	1145,4	3912	985,8	2,18	7,45	1,88	525,0	3,09	28,41
liquid temp	5	41	1389,8	4746	1196,0	2,48	8,48	2,14	559,5	3,20	34,66
Tliq= 45/113	10	50	1664,1	5683	1432,1	2,84	9,69	2,44	586,6	3,29	41,78
[°C / °F]	-25	-13	245,0	837	210,9	0,82	2,81	0,71	297,3	2,34	6,71
cond. pressure	-20	-4	354,8	1212	305,4	1,01	3,44	0,87	352,5	2,52	9,74
pc= 55/131	-15	5	481,1	1643	414,0	1,18	4,02	1,01	408,9	2,71	13,25
return gas temp	-10	14	625,3	2136	538,2	1,34	4,59	1,16	465,2	2,89	17,29
RGT= 32/90	0	32	974,5	3328	838,7	1,70	5,81	1,47	572,3	3,24	27,21
liquid temp	5	41	1182,6	4039	1017,7	1,91	6,51	1,64	620,5	3,40	33,23
Tliq= 55/131	10	50	1415,1	4833	1217,9	2,13	7,29	1,84	663,2	3,54	40,06



SC Compressors





SC Compressors

Service/Repair – R290



8545



Secop accepts no responsibility for possible errors in catalogs, brochures, and other printed material. Secop reserves the right to alter its products without notice. This also applies to products already on order provided that such alterations can be made without subsequent changes being necessary to specifications already agreed. All trademarks in this material are the property of the respective companies. Secop and the Secop logotype are trademarks of Secop GmbH. All rights reserved. www.secop.com