

Single Pack TFS4.5FT 220V 50Hz CSIR

Single pack code number: **195B4390**

| Position | Title | Code | Amount |
|----------|---|----------|--------|
| 1 | Compressor TFS4.5FT | 102G4433 | 1 |
| 2 | Starting relay (overload protector MRP77HL-6) | 117U4147 | 1 |
| 3 | Starting capacitor (80 μ F 220V, 6.3mm) | 117U5015 | 1 |
| 4 | Cord relief | 117U0317 | 1 |
| 5 | Cord relief | 117U0349 | 1 |
| 6 | Cover | 117U1023 | 1 |
| 7 | Bolt joint for one compressor M6 \varnothing 16mm | 118-1917 | 1 |

Secop GmbH • Lise-Meitner-Straße 29 • 24941 Flensburg, Germany • Tel: +49 461 4941 0 • www.secop.com

Secop accepts no responsibility for possible errors in catalogs, brochures, and other printed material. Secop reserves the right to alter its products without notice. This also applies to products already on order provided that such alterations can be made without subsequent changes being necessary to specifications already agreed. All trademarks in this material are the property of the respective companies. Secop and the Secop logotype are trademarks of Secop GmbH. All rights reserved.

TFS4.5FT Tropical Compressor R134a 220V 50Hz

General

| | |
|-----------------------|----------|
| Code number | 102G4433 |
| Approvals | UL984 |
| Compressors on pallet | 125 |

Application

| Application | LBP/MBP | |
|--|---------|------------------|
| Frequency | Hz | 50 60 |
| Evaporating temperature | °F | -31 to 23 - |
| Voltage range | V | 176 - 242 - |
| Max. condensing temperature continuous (short) | °F | 140 (158) - |
| Max. winding temperature continuous (short) | °F | 257 (275) - |

Cooling requirements

| Frequency | Hz | 50 | | | 60 | | |
|-------------------------|----|-----|-----|-----|-----|-----|-----|
| Application | | LBP | MBP | HBP | LBP | MBP | HBP |
| 90°F | | S | S | - | - | - | - |
| 100°F | | S | S | - | - | - | - |
| 110°F | | S | S | - | - | - | - |
| Remarks on application: | | | | | | | |

Motor

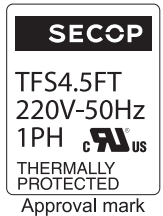
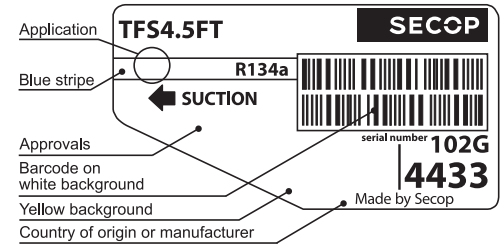
| Motor type | RSIR/CSIR | |
|---|-----------|----------------|
| LRA (rated after 4 sec. UL984), HST LST | A | 8.0 10.3 |
| Cut in Current, HST LST | A | 8.0 10.8 |
| Resistance, main start winding (77°F) | Ω | 13.1 36.0 |

Design

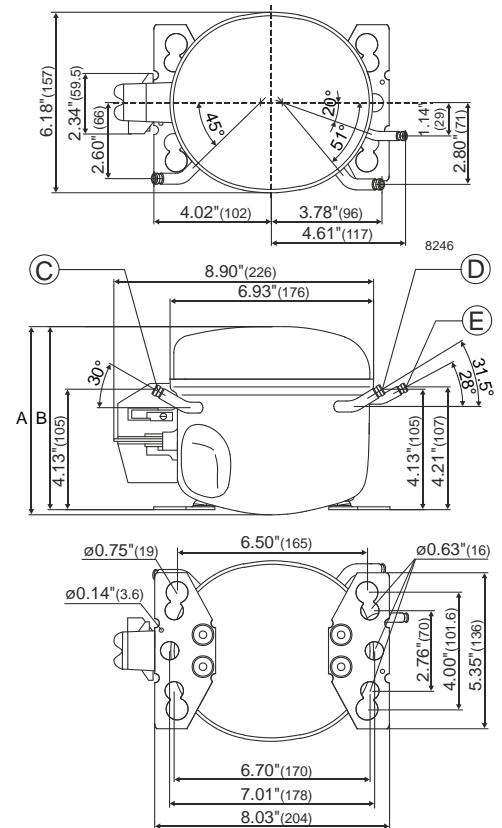
| | | |
|-------------------------------------|--------|-------------------|
| Displacement | cu.in | 0.29 |
| Oil quantity (type) | fl.oz. | 6.1 (polyolester) |
| Maximum refrigerant charge | oz. | 14.0 |
| Free gas volume in compressor | fl.oz. | 57.3 |
| Weight without electrical equipment | lbs. | 14.9 |

Dimensions

| Height | inch | A | 6.81 |
|----------------------|----------------------------|----|-------------------------------|
| | | B | 6.65 |
| | | B1 | - |
| | | B2 | - |
| Suction connector | location, I.D. in. angle | C | 0.252-0.259 30° |
| | material comment | | Cu-plated steel Rubber plug |
| Process connector | location, I.D. in. angle | D | 0.252-0.259 31.5° |
| | material comment | | Cu-plated steel Rubber plug |
| Discharge connector | location, I.D. in. angle | E | 0.202-0.205 28° |
| | material comment | | Cu-plated steel Rubber plug |
| Oil cooler connector | location, I.D. in. angle | F | - |
| | material comment | | - |
| Remarks: | | | |



- S = Static cooling normally sufficient
- O = Oil cooling
- F₁ = Fan cooling 1.5 m/s
(compressor compartment temperature equal to ambient temperature)
- F₂ = Fan cooling 3.0 m/s necessary
- SG = Suction gas cooling normally sufficient
- = not applicable in this area



ASHRAE LBP

220V, 50Hz, static cooling

| | | | | | | | | | | | | | | | | | |
|--------------------|-----|-----|------|------|------|------|------|------|------|------|----|----|----|----|----|----|----|
| Evap. temp. in °F | -49 | -40 | -30 | -20 | -13 | -10 | 0 | 10 | 14 | 20 | 30 | 40 | 41 | 45 | 50 | 59 | 68 |
| Capacity in BTU/h | | | 199 | 296 | 379 | 418 | 569 | 754 | 839 | 977 | | | | | | | |
| Power cons. in W | | | 88 | 99 | 107 | 111 | 125 | 140 | 146 | 156 | | | | | | | |
| Current cons. in A | | | 0.95 | 0.97 | 0.99 | 1.00 | 1.03 | 1.07 | 1.09 | 1.12 | | | | | | | |
| EER in BTU/Wh | | | 2.27 | 2.99 | 3.52 | 3.75 | 4.55 | 5.38 | 5.73 | 6.27 | | | | | | | |

ASHRAE MBP

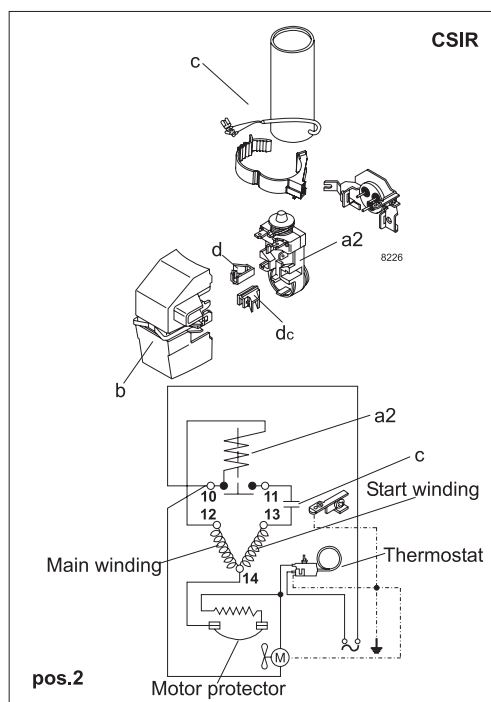
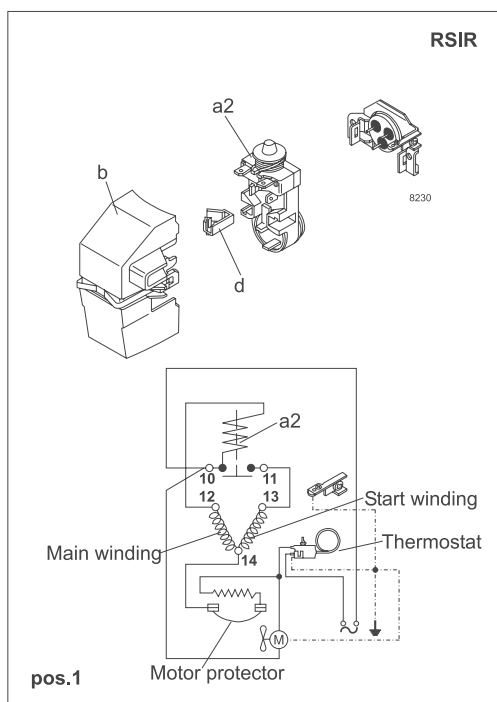
220V, 50Hz, static cooling

| | | | | | | | | | | | | | | | | | |
|--------------------|-----|-----|------|------|------|------|------|------|------|------|----|----|----|----|----|----|----|
| Evap. temp. in °F | -49 | -40 | -30 | -20 | -13 | -10 | 0 | 10 | 14 | 20 | 30 | 40 | 41 | 45 | 50 | 59 | 68 |
| Capacity in BTU/h | | | 178 | 265 | 338 | 373 | 508 | 673 | 748 | 871 | | | | | | | |
| Power cons. in W | | | 85 | 97 | 106 | 110 | 124 | 139 | 145 | 155 | | | | | | | |
| Current cons. in A | | | 0.95 | 0.97 | 0.99 | 1.00 | 1.03 | 1.07 | 1.09 | 1.12 | | | | | | | |
| EER in BTU/Wh | | | 2.09 | 2.73 | 3.20 | 3.40 | 4.10 | 4.84 | 5.15 | 5.63 | | | | | | | |

EN 12900 Household (CECOMAF)

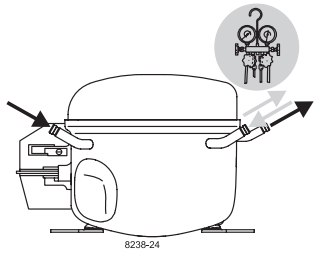
220V, 50Hz, static cooling

| | | | | | | | | | | | | | | | | | |
|--------------------|-----|-----|------|------|------|------|------|------|------|------|----|----|----|----|----|----|----|
| Evap. temp. in °F | -49 | -40 | -30 | -20 | -13 | -10 | 0 | 10 | 14 | 20 | 30 | 40 | 41 | 45 | 50 | 59 | 68 |
| Capacity in W | | | 48 | 71 | 91 | 100 | 136 | 180 | 200 | 233 | | | | | | | |
| Power cons. in W | | | 88 | 99 | 107 | 111 | 125 | 140 | 146 | 156 | | | | | | | |
| Current cons. in A | | | 0.95 | 0.97 | 0.99 | 1.00 | 1.03 | 1.07 | 1.09 | 1.12 | | | | | | | |
| COP in W/W | | | 0.54 | 0.72 | 0.84 | 0.90 | 1.09 | 1.29 | 1.37 | 1.50 | | | | | | | |

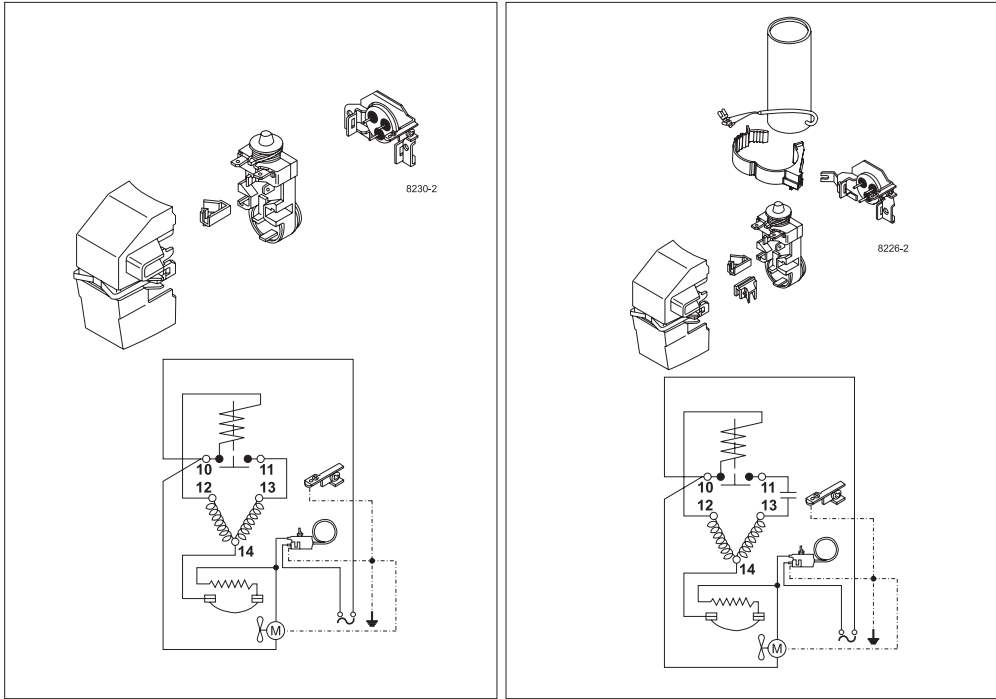


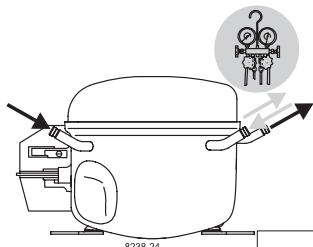
| Accessories for | TFS4.5FT | Figure | Code number | Test conditions | ASHRAE LBP | ASHRAE MBP | EN 12900/CECOMAF |
|------------------------|------------------------|---------|-------------|-----------------------------|------------|------------|------------------|
| Starting relay | 1/4 in. spade connect. | a2 | 117U4103 | Condensing temp. | 130°F | 130°F | 131°F |
| Protector 3/4 in. | Texas Instruments | (pos.1) | MRP77HL-6 | Ambient temp. | 90°F | 95°F | 90°F |
| Starting relay | 1/4 in. spade connect. | a2 | 117U4147 | Suction gas temp. | 90°F | 95°F | 90°F |
| Protector 3/4 in. | Texas Instruments | (pos.2) | MRP77HL-6 | Liquid temperature | 90°F | 95°F | 131°F |
| Cover | | b | 117U1023 | Mounting accessories | | | |
| Start. capacitor 80 µF | 1/4 in. spade connect. | c | 117U5015 | Bolt joint for one comp. | Ø: 5/8 in. | 118-1917 | |
| Cord relief | | d | 117U0349 | Bolt joint in quantities | Ø: 5/8 in. | 118-1918 | |
| Cord relief capacitor | | dc | 117U0349 | Snap-on in quantities | Ø: 5/8 in. | 118-1919 | |

Secop accepts no responsibility for possible errors in catalogs, brochures, and other printed material. Secop reserves the right to alter its products without notice. This also applies to products already on order provided that such alterations can be made without consequential changes being necessary to specifications already agreed. All trademarks in this material are the property of the respective companies. Secop and the Secop logotype are trademarks of Secop GmbH. All rights reserved. www.secop.com

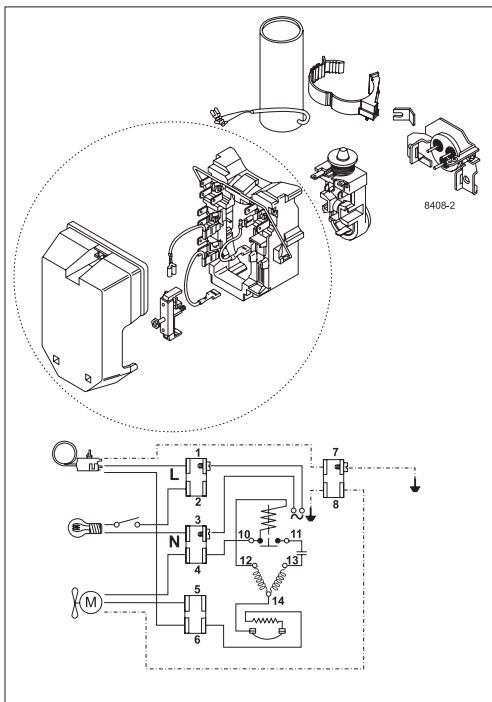
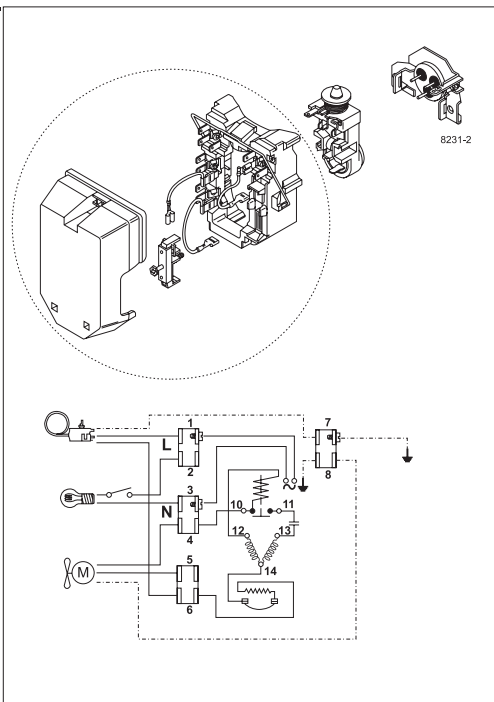


TF Compressors





8238-24



Secop accepts no responsibility for possible errors in catalogs, brochures, and other printed material. Secop reserves the right to alter its products without notice. This also applies to products already on order provided that such alterations can be made without subsequential changes being necessary to specifications already agreed. All trademarks in this material are the property of the respective companies. Secop and the Secop logotype are trademarks of Secop GmbH. All rights reserved. www.secop.com