

Single Pack SC10CNX 220-240V 50Hz CSCR

Single pack code number: **195B4545**

| Position | Title | Code | Amount |
|----------|--|----------|--------|
| 1 | Compressor SC10CNX | 104H8065 | 1 |
| 2 | SC starting device (1000mm) | 117-7014 | 1 |
| 3 | Cord relief | 103N1004 | 1 |
| 4 | Cover | 103N2009 | 1 |
| 5 | Bolt joint for one compressor M6 ø16mm | 118-1917 | 1 |

Secop GmbH • Lise-Meitner-Straße 29 • 24941 Flensburg, Germany • Tel: +49 461 4941 0 • www.secop.com

Secop accepts no responsibility for possible errors in catalogs, brochures, and other printed material. Secop reserves the right to alter its products without notice. This also applies to products already on order provided that such alterations can be made without subsequent changes being necessary to specifications already agreed. All trademarks in this material are the property of the respective companies. Secop and the Secop logotype are trademarks of Secop GmbH. All rights reserved.

Model

| | | | | |
|-------------|----------------|------------------|-------------|-----------------|
| Designation | SC10CNX | 220-240V/50Hz 1~ | Sales code: | 104H8065 |
|-------------|----------------|------------------|-------------|-----------------|

Compressor design

| | | | |
|----------------------------|---------------------------------|-----------------------|----------------------------------|
| Oil type | Polyolester | Refrigerant(s) | R290 |
| Oil viscosity | 32cST | Displacement | 10,29cm ³ / 0,63cu.in |
| Oil quantity | 499cm ³ / 16,9fl.oz | Compressors on pallet | 80 |
| Refr. charge - tech. limit | 150g / 5,3oz | | |
| Free gas volume comp. | 1410cm ³ / 47,7fl.oz | | |
| Weight | 13,1kg / 28,9lbs | | |
| Motor protection | 1# internal | | |
| Winding resistance main | 7,19Ω (at 25°C) | | |
| Winding resistance aux | 27,23Ω (at 25°C) | | |
| Max. winding temp. | 125°C / 257°F | | |
| Max. discharge temp. | 120°C / 248°F | | |



General - Configurations with SC10CNX

| | |
|------------------------|----------------|
| | Conf. 1 |
| Motorconfiguration | CSCR |
| Power supply (nominal) | 220-240V/50Hz |
| Number of phases | 1 |
| Voltage range | 198-254V |
| Approvals | VDE |
| Starting torque | HST |
| Note | - / - |

Applications with SC10CNX

| | |
|-------------------------|----------------|
| | Conf. 1 |
| Refrigerant | R290 |
| Application | LBP+MBP |
| System cooling | fan 3m/s |
| Hot gas defrost | OK |
| Long interval pull down | OK |

Electrical data - Configurations with SC10CNX

| | |
|------------------------------|----------------|
| | Conf. 1 |
| Starting device type | relay |
| Run capacitor | 5μF |
| Start capacitor | 40μF |
| LRA (locked rotor amps / 4s) | 23,4A |
| RLA (rated load amps / 1s) | 4,3A |
| Cut in current | 23,4A |

Model

Designation

SC10CNX

220-240V/50Hz 1~

Sales code:

104H8065

Compressor dimensions

| Housing | A Height | 209mm / 8,23in |
|---------|-------------------|-----------------|
| | B Height | 203mm / 7,99in |
| | C Length shell | 218mm / 8,58in |
| | D Length w. cover | 255mm / 10,04in |
| | E Width | 151mm / 5,94in |

| Connectors | Suction X | Discharge Y | Process Z |
|----------------------------|--------------|----------------|--------------|
| Diameter [mm] | ø 8,11-8,29 | ø 6,11-6,29 | ø 6,11-6,29 |
| (i:inside, o:outside) [in] | ø 0,32-0,33 | ø 0,24-0,25 | ø 0,24-0,25 |
| Material | copper | copper | copper |
| Horizontal angle ±2° | 37° | 37° | 143° |
| Vertical angle ±2° | 30° | 0° | 150° |
| Position l/h/w [mm] | 107/183/55 | 115/100/63 | -107/183/55 |
| [in] | 4,2/7,2/2,2 | 4,5/3,9/2,5 | -4,2/7,2/2,2 |
| Straight tube l. [mm] | 12 | 12 | 12 |
| [in] | 0,5 | 0,5 | 0,5 |



Compressor fixation



Bolt joint



Snap-on



Mounting accessories

| Mounting accessories | one comp. | multi pack |
|----------------------------|-----------|------------|
| Bolt joint M6 ø16mm | 118-1917 | 118-1918 |
| Bolt joint ø1/4" ø16mm | 118-1946 | |
| Bolt joint ø1/4" ø19mm | 118-1949 | |
| Snap-on ø7,3 ø16mm | 118-1947 | 118-1919 |

Application notes

Provision for PE Grounding is located at the PE Stamp on the compressor

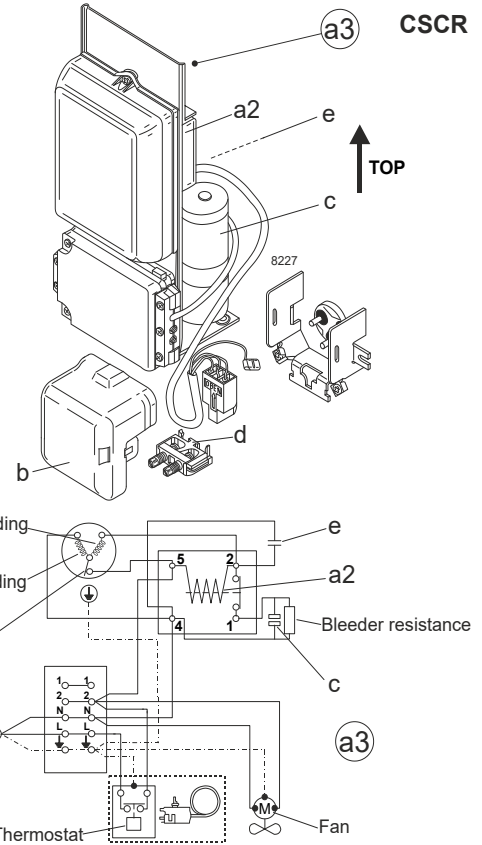
Model

| | | | | | |
|-------------|----------------|----------------------|----------------|-------------|-----------------|
| Designation | SC10CNX | 220-240V/50Hz | Conf. 1 | Sales code: | 104H8065 |
|-------------|----------------|----------------------|----------------|-------------|-----------------|

Configuration

| | |
|------------------------|------------------|
| Motorconfiguration | CSCR |
| Power supply (nominal) | 220-240V/50Hz 1~ |
| Refrigerant | R290 |
| Application | LBP+MBP |
| Voltage range | 198-254V |
| Starting torque | HST |
| Approvals | VDE |

Electrical accessories / wiring diagram

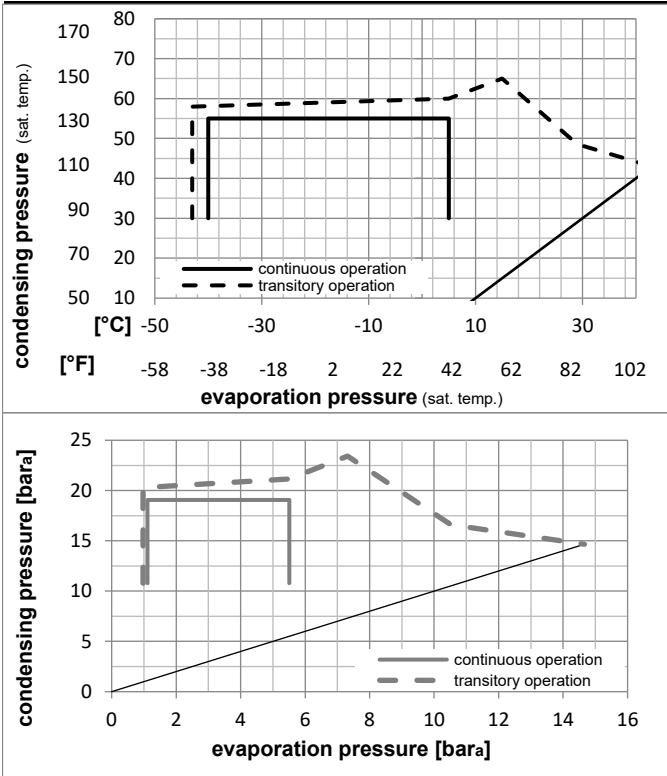


Ambient/ machine room temperatures minimum /maximum

| | |
|---------------------------------|------------------------|
| Ambient temperature range: | 10 - 43°C / 50 - 110°F |
| Machine room temperature range: | 10 - 48°C / 50 - 119°F |
| Compressor cooling: | fan 3m/s |

Operation Limits

Operation pressure range



Components

| | | |
|----|----------------|----------|
| a3 | SC starter kit | 117-7025 |
| b | plastic cover | 103N2009 |
| d | cord relief | 103N1004 |

Alternative components

| | | |
|----|--------------------------------|----------|
| a2 | potential relay (RVA 6M3R 339) | 117-7425 |
| e | run capacitor (5µF, 6.3mm) | 117-7111 |
| c | start capacitor (40µF, 6.3mm) | 117U5372 |
| b | plastic cover | 103N2009 |
| d | cord relief | 103N1004 |

Model

Designation **SC10CNX** **220-240V/50Hz** Conf. 1 Sales code: **104H8065**

Optimization + standard conditions

R290, 220V/50Hz, CSCR, fan 3m/s, VDE

| | Evaporating pressure (saturation temperature) | | | | Condensing pressure (saturation temperature) | | | Return gas temp. | Liquid temp. | Cooling capacity | COP | EER | Power consumption | | | ASHRAE LBP |
|------|---|------|------|------|--|----------|----------|------------------|--------------|------------------|-------|--------|-------------------|-------------|----------------|------------|
| | pe | pc | RGT | Tliq | [W] | [Btu/h] | [kcal/h] | | | | | | P1 | I | Ref. mass flow | |
| [°C] | [°C] | [°C] | [°C] | [W] | [Btu/h] | [kcal/h] | [W/W] | [Btu/Wh] | [kcal/Wh] | [W] | [A] | [kg/h] | | | | |
| [°F] | [°F] | [°F] | [°F] | [W] | [Btu/h] | [kcal/h] | [W/W] | [Btu/Wh] | [kcal/Wh] | [W] | [A] | [kg/h] | | | | |
| | -23 | 54 | 32 | 32 | 357,3 | 1220 | 307,5 | 1,26 | 4,32 | 1,09 | 282,7 | 1,50 | 3,62 | ASHRAE LBP | | |
| | -10 | 130 | 90 | 90 | | | | | | | | | | | | |
| | -25 | 55 | 32 | 55 | 263,2 | 899 | 226,5 | 0,98 | 3,33 | 0,84 | 269,8 | 1,46 | 3,28 | cecomaf LBP | | |
| | -13 | 131 | 90 | 131 | | | | | | | | | | | | |
| | -35 | 40 | 20 | 40 | 197,2 | 673 | 169,7 | 0,93 | 3,16 | 0,80 | 213,0 | 1,23 | 2,25 | EN12900 LBP | | |
| | -31 | 104 | 68 | 104 | | | | | | | | | | | | |
| | -7 | 54 | 35 | 46 | 711,8 | 2431 | 612,6 | 1,79 | 6,11 | 1,54 | 398,1 | 1,96 | 8,12 | ASHRAE MBP | | |
| | 20 | 130 | 95 | 115 | | | | | | | | | | | | |
| | -10 | 55 | 32 | 55 | 555,1 | 1896 | 477,7 | 1,47 | 5,03 | 1,27 | 377,0 | 1,87 | 7,02 | cecomaf MBP | | |
| | 14 | 131 | 90 | 131 | | | | | | | | | | | | |
| | -10 | 45 | 20 | 45 | 634,4 | 2167 | 546,0 | 1,75 | 5,99 | 1,51 | 361,9 | 1,78 | 7,79 | EN12900 MBP | | |
| | 14 | 113 | 68 | 113 | | | | | | | | | | | | |

Performance tables

R290, 220V/50Hz, CSCR, fan 3m/s, VDE

| | pe | | Cooling capacity | | | COP | EER | P1 | I | m | |
|------------------|------|------|------------------|---------|----------|-------|----------|-----------|-------|------|--------|
| | [°C] | [°F] | [W] | [Btu/h] | [kcal/h] | [W/W] | [Btu/Wh] | [kcal/Wh] | [W] | [A] | [kg/h] |
| [°C / °F] | -40 | -40 | 126,1 | 431 | 108,5 | 0,72 | 2,47 | 0,62 | 174,5 | 1,12 | 1,41 |
| cond. pressure | -35 | -31 | 179,4 | 613 | 154,4 | 0,86 | 2,94 | 0,74 | 208,3 | 1,22 | 2,01 |
| pc= 45/113 | -30 | -22 | 245,2 | 837 | 211,0 | 1,01 | 3,46 | 0,87 | 241,8 | 1,33 | 2,76 |
| return gas temp. | -25 | -13 | 324,7 | 1109 | 279,5 | 1,18 | 4,04 | 1,02 | 274,5 | 1,44 | 3,66 |
| RGT= 32/90 | -15 | 5 | 531,0 | 1813 | 457,0 | 1,58 | 5,41 | 1,36 | 335,0 | 1,66 | 6,04 |
| liquid temp | -5 | 23 | 809,4 | 2764 | 696,6 | 2,10 | 7,17 | 1,81 | 385,8 | 1,89 | 9,32 |
| Tliq= 45/113 | 5 | 41 | 1171,5 | 4001 | 1008,2 | 2,77 | 9,47 | 2,39 | 422,5 | 2,12 | 13,71 |
| [°C / °F] | -40 | -40 | 98,8 | 337 | 85,0 | 0,63 | 2,14 | 0,54 | 157,7 | 1,05 | 1,22 |
| cond. pressure | -35 | -31 | 141,8 | 484 | 122,0 | 0,73 | 2,49 | 0,63 | 194,7 | 1,19 | 1,75 |
| pc= 55/131 | -30 | -22 | 196,1 | 670 | 168,8 | 0,84 | 2,88 | 0,73 | 232,3 | 1,32 | 2,43 |
| return gas temp | -25 | -13 | 263,2 | 899 | 226,5 | 0,98 | 3,33 | 0,84 | 269,8 | 1,46 | 3,28 |
| RGT= 32/90 | -15 | 5 | 441,3 | 1507 | 379,8 | 1,29 | 4,40 | 1,11 | 342,7 | 1,73 | 5,55 |
| liquid temp | -5 | 23 | 687,3 | 2347 | 591,5 | 1,68 | 5,74 | 1,45 | 409,2 | 2,02 | 8,76 |
| Tliq= 55/131 | 5 | 41 | 1012,7 | 3458 | 871,5 | 2,18 | 7,44 | 1,87 | 465,0 | 2,30 | 13,13 |



SC Compressors





SC Compressors

Service/Repair – R290



8545



Secop accepts no responsibility for possible errors in catalogs, brochures, and other printed material. Secop reserves the right to alter its products without notice. This also applies to products already on order provided that such alterations can be made without subsequent changes being necessary to specifications already agreed. All trademarks in this material are the property of the respective companies. Secop and the Secop logotype are trademarks of Secop GmbH. All rights reserved. www.secop.com