

Single Pack DLV5.7CN 100-127V 50/60Hz PM

Single pack code number: **195B4566**

Position	Title	Code	Amount
1	Compressor DLV5.7CN	102H4604	1
2	Electronic unit DLV	105N4461	1
3	Cord relief	103N1010	1
4	Cover	103N0492	1
5	Bolt joint for one compressor M6 ø16mm	118-1917	1

Secop GmbH • Lise-Meitner-Straße 29 • 24941 Flensburg, Germany • Tel: +49 461 4941 0 • www.secop.com

Secop accepts no responsibility for possible errors in catalogs, brochures, and other printed material. Secop reserves the right to alter its products without notice. This also applies to products already on order provided that such alterations can be made without subsequent changes being necessary to specifications already agreed. All trademarks in this material are the property of the respective companies. Secop and the Secop logotype are trademarks of Secop GmbH. All rights reserved.

DLV5.7CN Variable Speed Drive Compressor R290, 100-127V 50/60Hz

- with 105N4460 Controller



General

Code number	102H4604
Electronic unit	105N4460
Approvals: UL 60335-2-34 with Annex AA, CCC	
Compressors on pallet	100

Application

Application	LBP/MBP			
Frequency	Hz	50	60	
Evaporating temperature	°F	-31 to 45	-31 to 45	
Voltage range	V	90 - 140	90 - 140	
Max. condensing temperature continuous (short)	°F	140 (149)	140 (149)	
Max. winding temperature continuous (short)	°F	257 (275)	257 (275)	

Cooling requirements

Frequency	Hz	50			60		
Application		LBP	MBP	HBP	LBP	MBP	HBP
32°C		F ₂	F ₂	-	F ₂	F ₂	-
38°C		F ₂	F ₂	-	F ₂	F ₂	-
43°C		F ₂	F ₂	-	F ₂	F ₂	-

Remarks on application:

Features

Speed range	rpm	2000 - 4500
Speed control		AEO, frequency, serial com.
Thermostat		integrated, electronic
Protections		current, speed, temperature
Protection class (electronic unit)		IP54

Motor

Motor type		permanent magnet
LRA (rated after 4 sec. UL984)	A	electronic cut off
Maximum current	A	6.5
Resistance, all 3 windings (25°C)	Ω	1.2

Design

Displacement	cu.in	0.35
Oil quantity (type)	fl.oz.	7.8 (polyolester)
Maximum refrigerant charge	oz.	5.3
Free gas volume in compressor	fl.oz.	49.5
Weight - Compressor/Electronic unit	lbs.	17.2 / 1.15

Dimensions

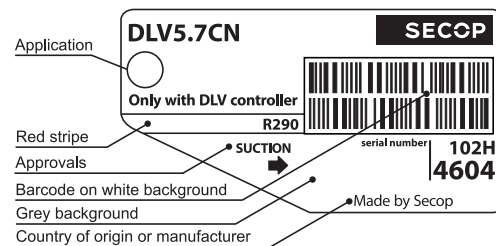
Height	inch	A	6.89
		B	6.65
Suction connector	location/I.D. mm angle	C	0.320-0.327 18°
	material comment		Copper Rubber plug
Process connector	location/O.D. mm angle	D	0.252-0.259 61°
	material comment		Copper Rubber plug
Discharge connector	location/O.D. mm angle	E	0.252-0.259 25°
	material comment		Copper Rubber plug

Accessories

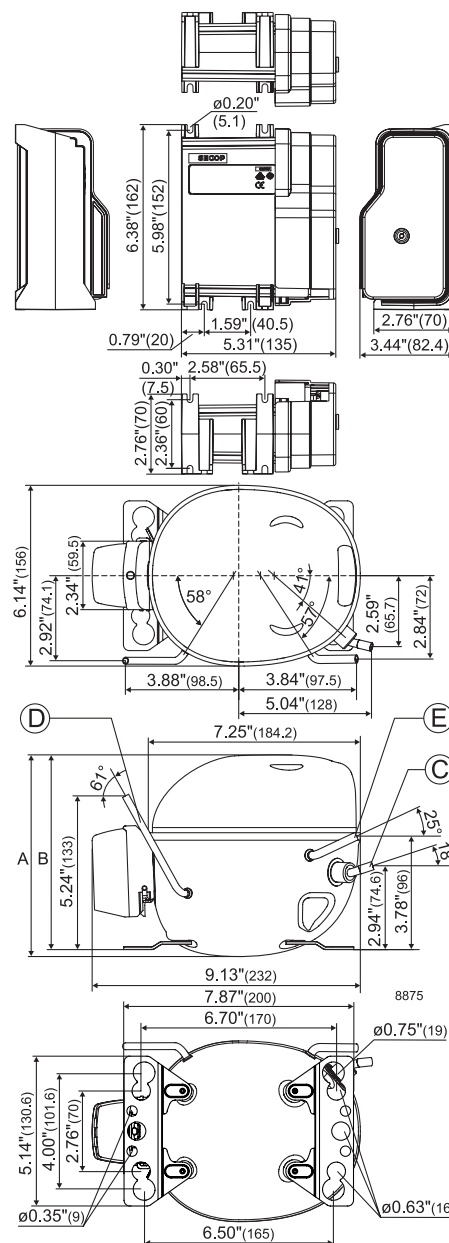
	Code number
Cover	103N0492
Cord relief	103N1010
Motor cable	35.4 in. cable length 105B4477

Mounting accessories

	Code number
Bolt joint for one compressor	Ø: 3/4 in. 118-1949
Bolt joint in quantities	Ø: 5/8 in. 118-1946
Snap-on in quantities	Ø: 5/8 in. 118-1947



- S = Static cooling normally sufficient
- O = Oil cooling
- F₁ = Fan cooling 1.5 m/s (compressor compartment temperature equal to ambient temperature)
- F₂ = Fan cooling 3.0 m/s necessary
- = not applicable in this area



LBP: ASHRAE 115V, 50/60Hz, fan cooling F₂

Speed (rpm)	2000	2250	2500	2750	3000	3500	4000	4500
Capacity [BTU/h]	664	748	833	917	1002	1170	1339	1523
Power cons. [W]	115	130	144	160	176	207	239	277
Current cons. [A]	1.55	1.72	1.89	2.08	2.27	2.64	3.01	3.44
EER [BTU/Wh]	5.76	5.78	5.79	5.75	5.71	5.65	5.61	5.50

Test conditions

Evaporation pressure	-10°F	-23.3°C
Condensing pressure	130°F	54.4°C
Liquid temperature	90°F	32.2°C
Return gas temperature	90°F	32.2°C

LBP: CECOMAF 115V, 50/60Hz, fan cooling F₂

Speed (rpm)	2000	2250	2500	2750	3000	3500	4000	4500
Capacity [BTU/h]	497	561	624	687	750	877	1003	1141
Power cons. [W]	111	125	139	154	169	200	230	267
Current cons. [A]	1.49	1.66	1.83	2.01	2.19	2.54	2.90	3.32
EER [BTU/Wh]	4.48	4.49	4.50	4.47	4.44	4.39	4.36	4.28

Test conditions

Evaporation pressure	-13°F	-25°C
Condensing pressure	131°F	55°C
Liquid temperature	131°F	55°C
Return gas temperature	90°F	32°C

LBP: EN12900 115V, 50/60Hz, fan cooling F₂

Speed (rpm)	2000	2250	2500	2750	3000	3500	4000	4500
Capacity [BTU/h]	388	438	487	537	586	685	784	892
Power cons. [W]	85	96	106	118	130	153	176	205
Current cons. [A]	1.12	1.24	1.37	1.50	1.64	1.91	2.18	2.49
EER [BTU/Wh]	4.57	4.58	4.59	4.55	4.52	4.48	4.45	4.36

Test conditions

Evaporation pressure	-31°F	-35°C
Condensing pressure	104°F	40°C
Liquid temperature	104°F	40°C
Return gas temperature	68°F	20°C

MBP: ASHRAE 115V, 50/60Hz, fan cooling F₂

Speed (rpm)	2000	2250	2500	2750	3000	3500	4000	4500
Capacity [BTU/h]	1176	1326	1477	1626	1776	2075	2375	2700
Power cons. [W]	157	177	196	218	239	283	326	378
Current cons. [A]	2.11	2.35	2.58	2.84	3.04	3.60	4.11	4.70
EER [BTU/Wh]	7.49	7.51	7.52	7.47	7.42	7.34	7.29	7.15

Test conditions

Evaporation pressure	20°F	-6.7°C
Condensing pressure	130°F	54.4°C
Liquid temperature	115°F	46.1°C
Return gas temperature	95°F	35°C

MBP: CECOMAF 115V, 50/60Hz, fan cooling F₂

Speed (rpm)	2000	2250	2500	2750	3000	3500	4000	4500
Capacity [BTU/h]	939	1059	1179	1298	1418	1656	1895	2155
Power cons. [W]	152	171	190	211	231	273	315	365
Current cons. [A]	2.02	2.25	2.47	2.71	2.96	3.44	3.93	4.49
EER [BTU/Wh]	6.19	6.20	6.22	6.17	6.13	6.07	6.02	5.91

Test conditions

Evaporation pressure	14°F	-10°C
Condensing pressure	131°F	55°C
Liquid temperature	131°F	55°C
Return gas temperature	90°F	32°C

MBP: EN12900 115V, 50/60Hz, fan cooling F₂

Speed (rpm)	2000	2250	2500	2750	3000	3500	4000	4500
Capacity [BTU/h]	1060	1195	1331	1466	1600	1870	2140	2434
Power cons. [W]	143	161	179	199	219	258	297	345
Current cons. [A]	1.84	2.05	2.25	2.47	2.69	3.14	3.58	4.09
EER [BTU/Wh]	7.39	7.41	7.43	7.37	7.32	7.25	7.20	7.06

Test conditions

Evaporation pressure	14°F	-10°C
Condensing pressure	113°F	45°C
Liquid temperature	113°F	45°C
Return gas temperature	68°F	20°C

Optimization Point 115V, 50/60Hz, fan cooling F₂

Speed (rpm)	2000	2250	2500	2750	3000	3500	4000	4500
Capacity [BTU/h]	661	745	829	913	997	1166	1334	1517
Power cons. [W]	97	109	121	134	148	174	201	233
Current cons. [A]	1.31	1.46	1.61	1.76	1.92	2.24	2.55	2.92
EER [BTU/Wh]	6.83	6.84	6.86	6.81	6.76	6.69	6.65	6.52

Test conditions

Evaporation pressure	-13°F	-25°C
Condensing pressure	95°F	35°C
Liquid temperature	95°F	35°C
Return gas temperature	90°F	32°C

Optimization Point 115V, 50/60Hz, fan cooling F₂

Speed (rpm)	2000	2250	2500	2750	3000	3500	4000	4500
Capacity [BTU/h]	1083	1221	1360	1497	1635	1911	2187	2487
Power cons. [W]	137	154	171	189	208	246	283	328
Current cons. [A]	1.84	2.05	2.25	2.47	2.69	3.14	3.58	4.09
EER [BTU/Wh]	7.93	7.96	7.97	7.91	7.86	7.78	7.72	7.57

Test conditions

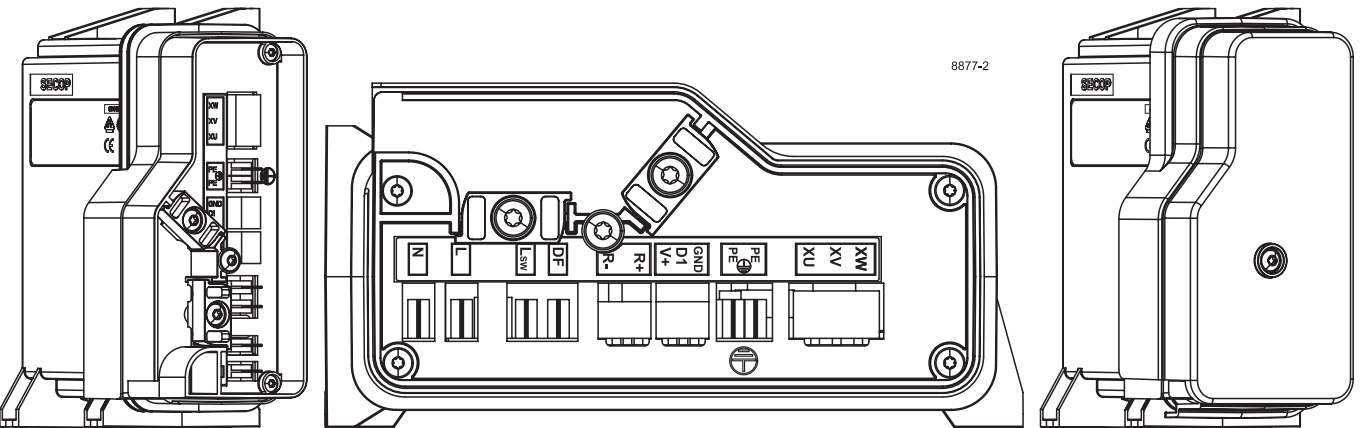
Evaporation pressure	14°F	-10°C
Condensing pressure	113°F	45°C
Liquid temperature	113°F	45°C
Return gas temperature	90°F	32°C

Optimization Point 115V, 50/60Hz, fan cooling F₂

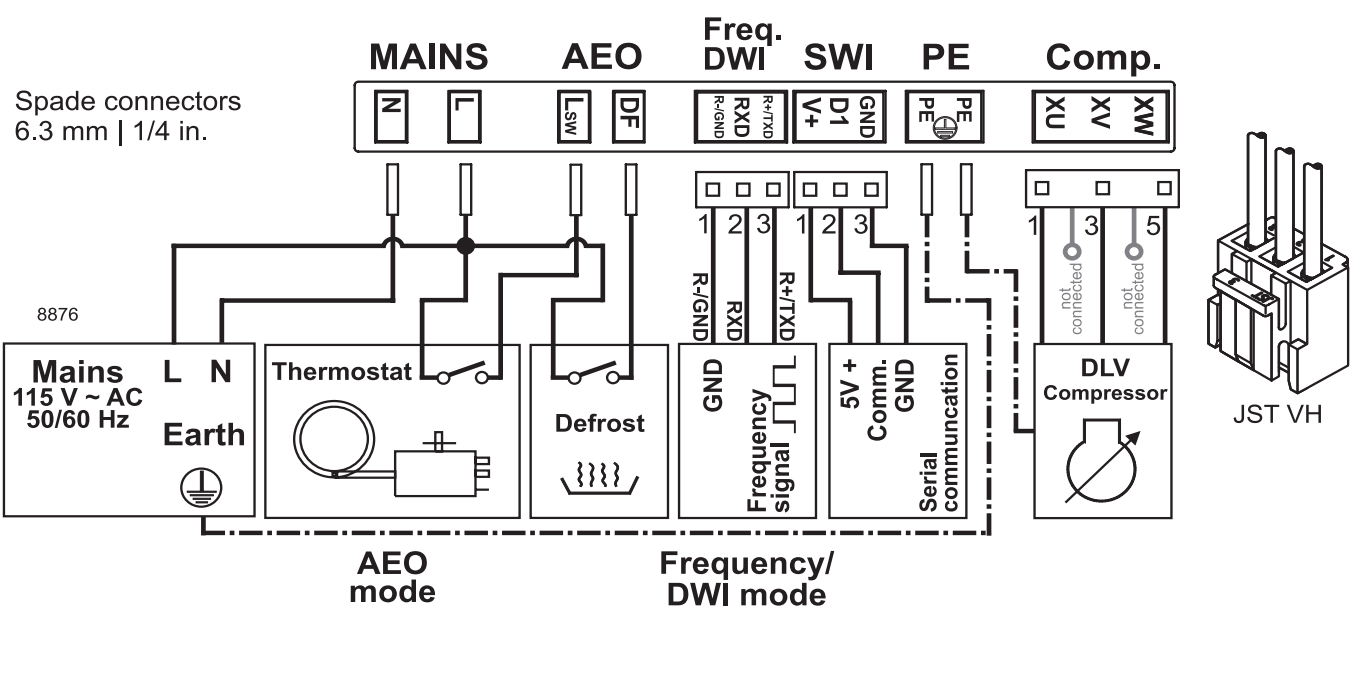
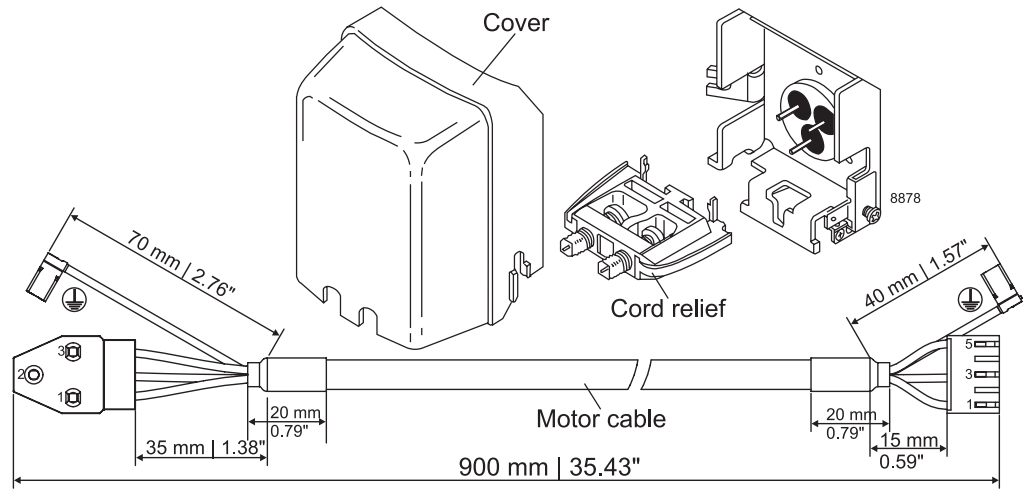
Speed (rpm)	2000	2250	2500	2750	3000	3500	4000	4500
Capacity [BTU/h]	1857	2094	2331	2567	2803	3275	3748	4262
Power cons. [W]	158	177	197	219	240	284	327	379
Current cons. [A]	3.45	3.46	3.47	3.44	3.42	3.58	3.36	3.30
EER [BTU/Wh]	11.78	11.81	11.83	11.74	11.67	11.55	11.47	11.24

Test conditions

Evaporation pressure	41°F	5°C
Condensing pressure	113°F	45°C
Liquid temperature	113°F	45°C
Return gas temperature	90°F	32°C



8877-2



Spade connectors
6.3 mm | 1/4 in.

8876

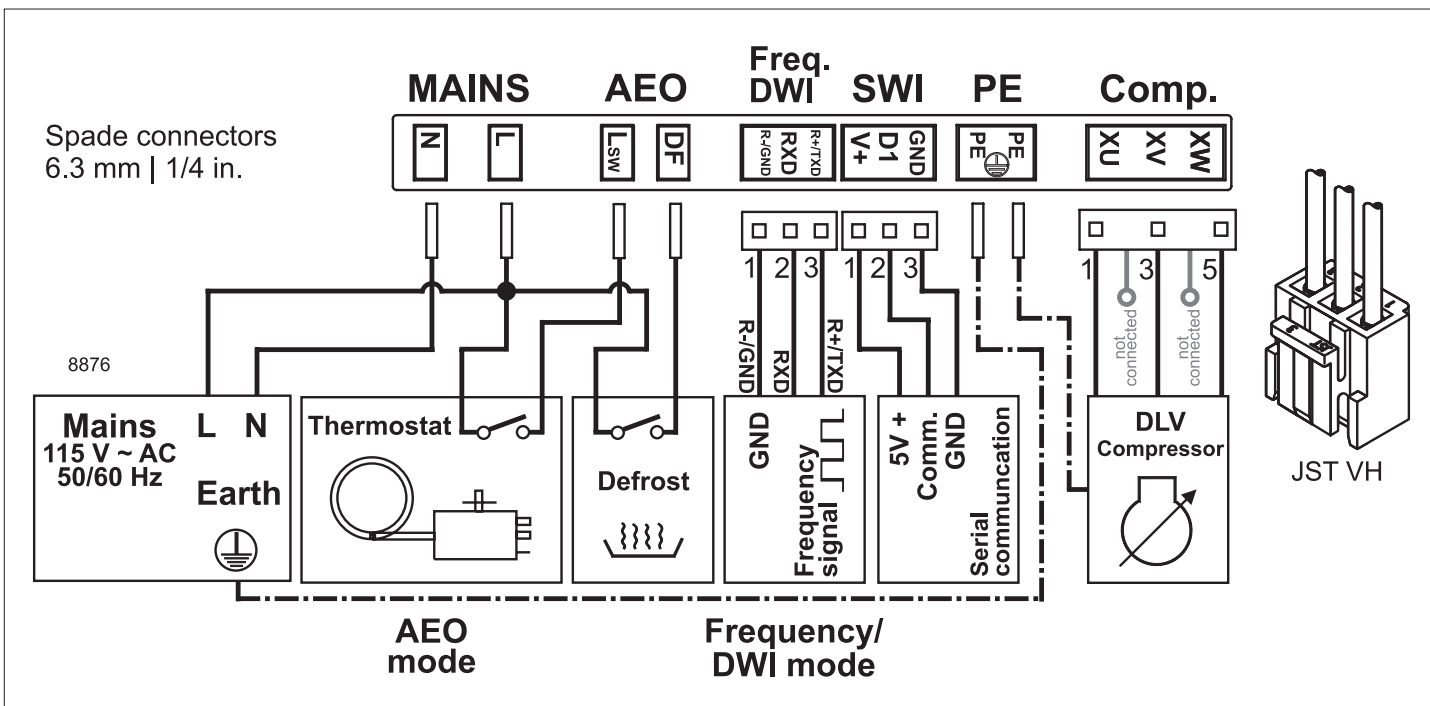
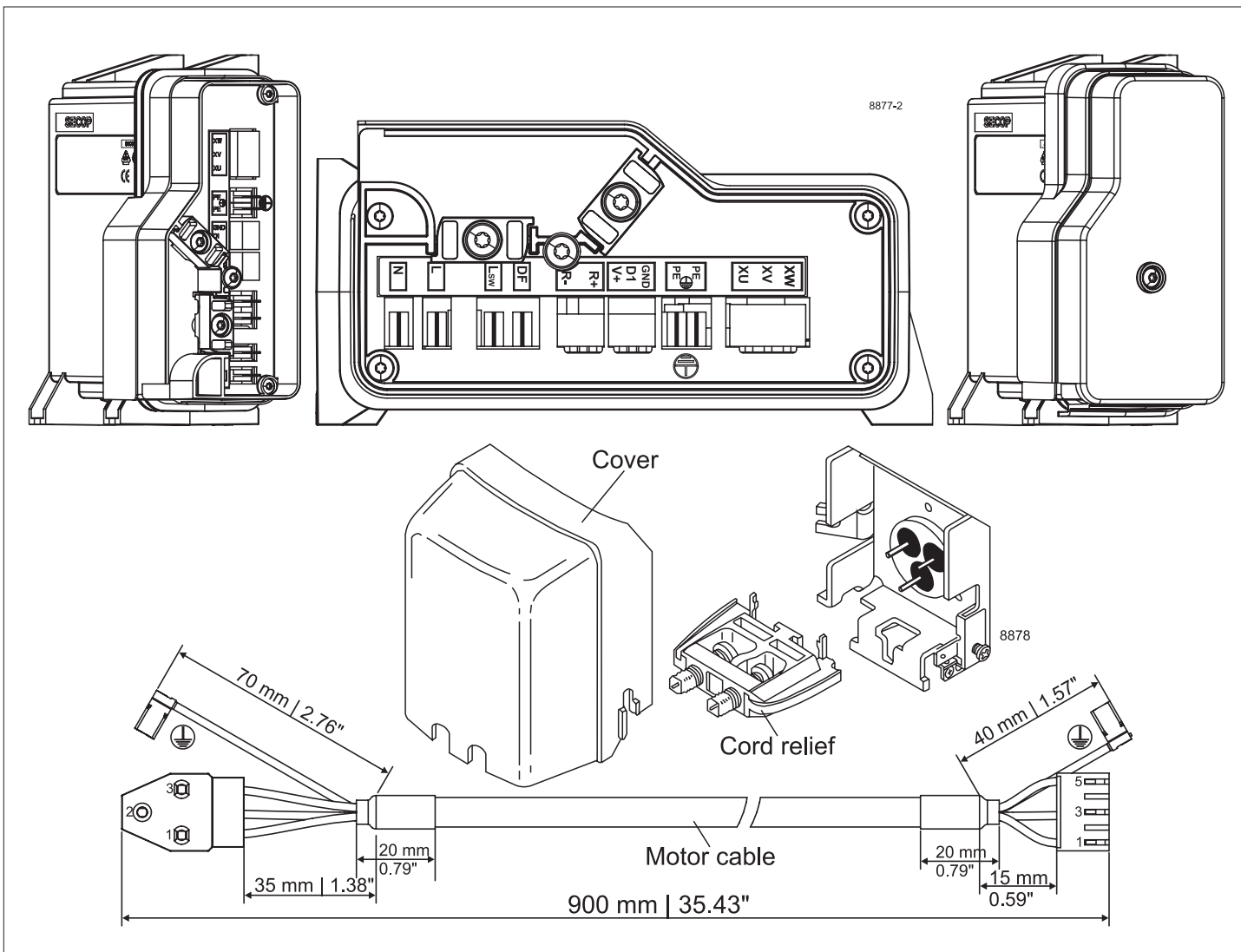
Secop accepts no responsibility for possible errors in catalogs, brochures, and other printed material. Secop reserves the right to alter its products without notice. This also applies to products already on order provided that such alterations can be made without subsequential changes being necessary to specifications already agreed. All trademarks in this material are the property of the respective companies. Secop and the Secop logotype are trademarks of Secop GmbH. All rights reserved. www.secop.com



Instructions

DLV Compressors
 100-127V 50/60Hz
 105N446x
 Series Controllers

SECCP





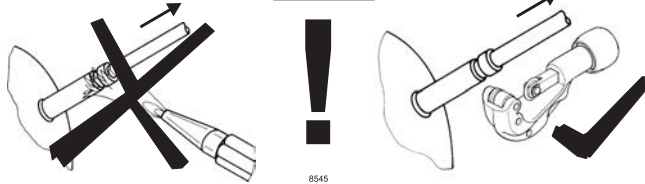
Instructions

DLV Compressors
100-127V 50/60Hz
105N446x
Series Controllers

SECCP

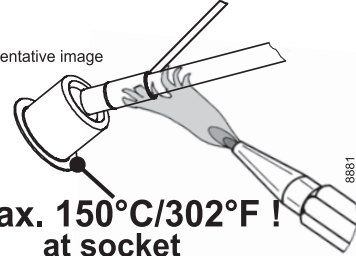


Service/Repair R290



Brazing on Suction Connectors (Direct Intake)

representative image

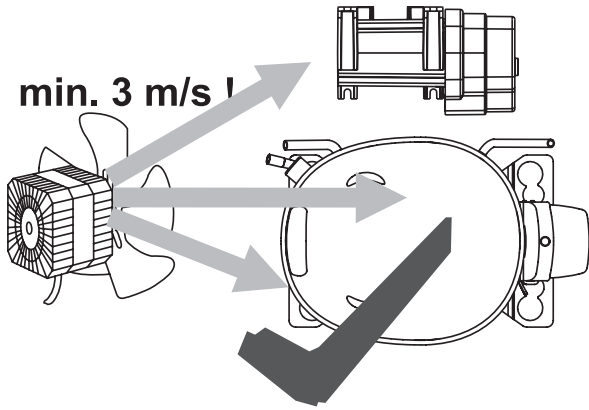


**! max. 150°C/302°F !
at socket**

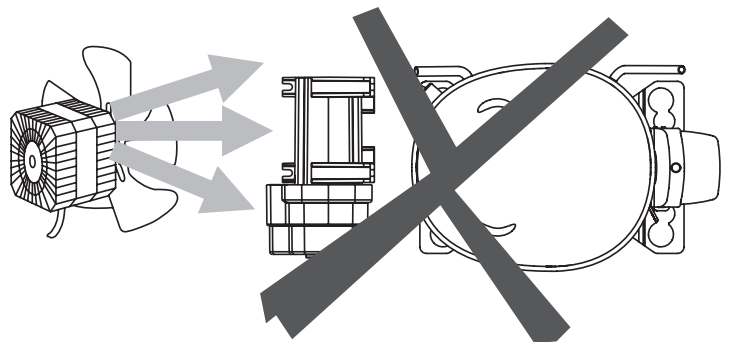
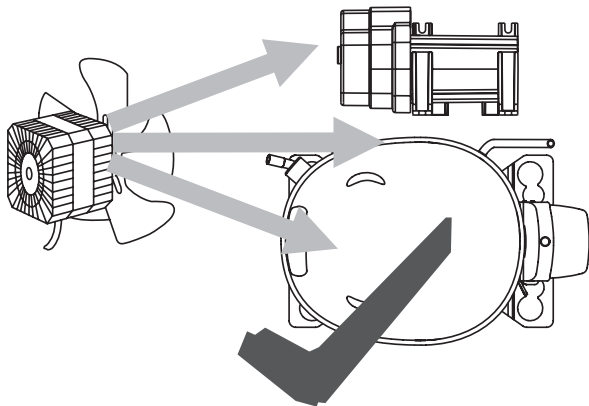
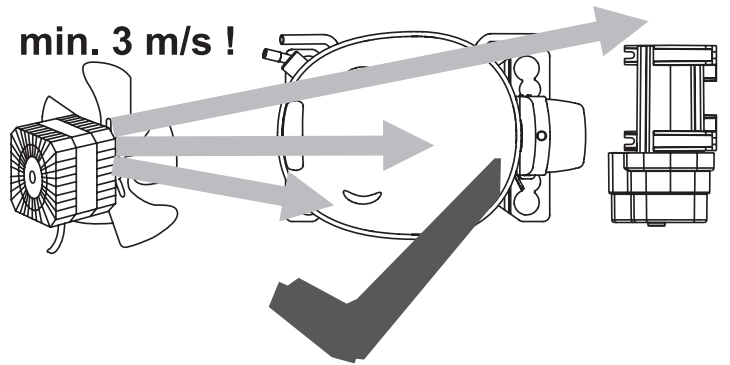
brazing solder: phosphor (LP7) or silver

Refer to Product Bulletin: **Brazing on Suction Connectors
(Compressors with Direct Suction Intake)**

min. 3 m/s !



min. 3 m/s !



8879

Airflow	3 m/s
Operating conditions 105N4460	+ 5 °C to 43 °C - humidity < 90 % rH non condensing
Storage conditions	-25 °C to 70 °C - humidity < 90 % rH non condensing
Supply voltage	100-127 V (± 10 %)
Frequency	50/60 Hz
Input power rating	450 W

Secop accepts no responsibility for possible errors in catalogs, brochures, and other printed material. Secop reserves the right to alter its products without notice. This also applies to products already on order provided that such alterations can be made without subsequent changes being necessary to specifications already agreed. All trademarks in this material are the property of the respective companies. Secop and the Secop logotype are trademarks of Secop GmbH. All rights reserved. www.secop.com