

Single Pack HXK87AA 220-240V 50Hz RSCR

Single pack code number: **195B4601**

| Position | Title | Code | Amount |
|----------|--|----------|--------|
| 1 | Compressor HXK87AA | 16364800 | 1 |
| 2 | Screw for cable clamp | 10636000 | 1 |
| 3 | Screw for cable clamp | 10636200 | 1 |
| 4 | Cover | 10636401 | 1 |
| 5 | Rubber grommet 16.5mm | 10639900 | 4 |
| 6 | Sleeve | 10640100 | 4 |
| 7 | Earth screw | 10641201 | 1 |
| 8 | Run capacitor (4 μ F 420V, 4.8mm) | 11261700 | 1 |
| 9 | Cable clamp | 11341000 | 1 |
| 10 | e-PTC starting device (240V, overload protector AE18FU6) | 15540500 | 1 |

Secop GmbH • Lise-Meitner-Straße 29 • 24941 Flensburg, Germany • Tel: +49 461 4941 0 • www.secop.com

Secop accepts no responsibility for possible errors in catalogs, brochures, and other printed material. Secop reserves the right to alter its products without notice. This also applies to products already on order provided that such alterations can be made without subsequent changes being necessary to specifications already agreed. All trademarks in this material are the property of the respective companies. Secop and the Secop logotype are trademarks of Secop GmbH. All rights reserved.

Model

| | | | | |
|-------------|----------------|------------------|-------------|-----------------|
| Designation | HXK87AA | 220-240V/50Hz 1~ | Sales code: | 16364800 |
|-------------|----------------|------------------|-------------|-----------------|

Compressor design

| | | | |
|----------------------------|---------------------------------|-----------------------|--------------------------------|
| Oil type | Mineral | Refrigerant(s) | R600a |
| Oil viscosity | 5cST | Displacement | 8,8cm ³ / 0,54cu.in |
| Oil quantity | 162cm ³ / 5,5fl.oz | Compressors on pallet | 100 |
| Refr. charge - tech. limit | 150g / 5,3oz | | |
| Free gas volume comp. | 1560cm ³ / 52,7fl.oz | | |
| Weight | 8,6kg / 19lbs | | |
| Motor protection | external | | |
| Winding resistance main | 22,4Ω (at 25°C) | | |
| Winding resistance aux | 15,3Ω (at 25°C) | | |
| Max. winding temp. | 130°C / 266°F | | |
| Max. discharge temp. | 130°C / 266°F | | |



General - Configurations with HXK87AA

| | Conf. 1 | Conf. 2 |
|------------------------|--|----------------|
| Motorconfiguration | eRSCR | RSCR |
| Power supply (nominal) | 220-240V/50Hz | 220-240V/50Hz |
| Number of phases | 1 | 1 |
| Voltage range | 187-264V | 187-264V |
| Approvals | VDE | VDE |
| Starting torque | LST | LST |
| Note | Various options of connectors are possible - please contact SECOP-Sales. | |

Applications with HXK87AA

| | Conf. 1 | Conf. 2 |
|-------------------------|----------------|----------------|
| Refrigerant | R600a | R600a |
| Application | LBP | LBP |
| System cooling | static | static |
| Hot gas defrost | -/- | -/- |
| Long interval pull down | -/- | -/- |

Electrical data - Configurations with HXK87AA

| | Conf. 1 | Conf. 2 |
|------------------------------------|----------------|----------------|
| Starting device type | e-PTC | PTC |
| Run capacitor | 4μF | 4μF |
| Start capacitor | -/- | -/- |
| LRA (locked rotor amps / 4s/ U(N)) | | |
| RLA (rated load amps / 1s/ U(N)) | -/-A | -/-A |
| Cut in current (U(N)) | | |

Model

Designation

HXK87AA

220-240V/50Hz 1~

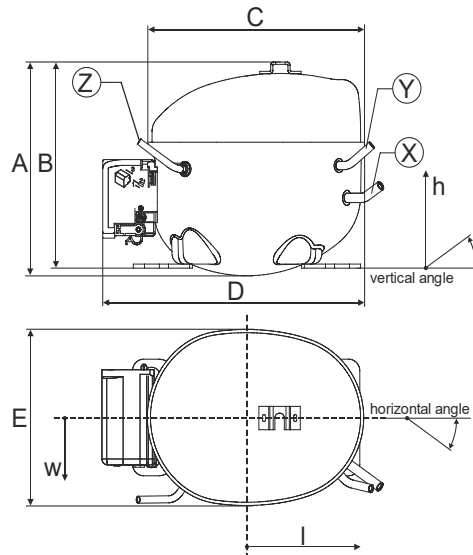
Sales code:

16364800

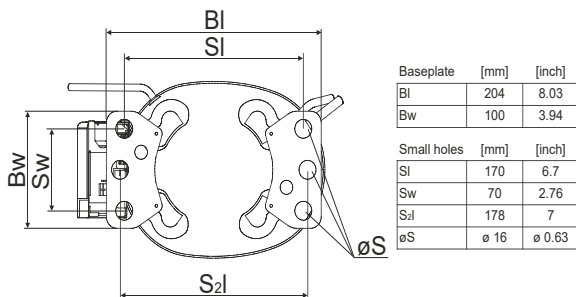
Compressor dimensions

| Housing | A Height | 182mm / 7,17in |
|---------|-------------------|----------------|
| | B Height | 175mm / 6,89in |
| | C Length shell | 194mm / 7,64in |
| | D Length w. cover | 238mm / 9,37in |
| | E Width | 151mm / 5,94in |

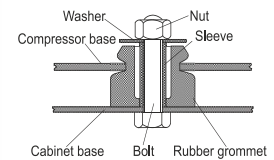
| Connectors | | Suction | Discharge | Process |
|------------------|----------------------------|--------------|-------------|--------------|
| | | X | Y | Z |
| Diameter | [mm] | øi 6,16-6,24 | øi 5,1-5,2 | øi 6,11-6,29 |
| | (i:inside, o:outside) [in] | øi 0,24-0,25 | øi 0,2-0,2 | øi 0,24-0,25 |
| Material | | copper | copper | copper |
| Horizontal angle | ±2° | 54° | 35° | 45° |
| Vertical angle | ±2° | 35° | 40° | 35° |
| Position l/h/w | [mm] | 120/92/57 | 112/106/81 | -86/94/72 |
| | [in] | 4,7/3,6/2,2 | 4,4/4,2/3,2 | -3,4/3,7/2,8 |
| Straight tube l. | [mm] | 14 | 14 | 14 |
| | [in] | 0,5 | 0,5 | 0,5 |



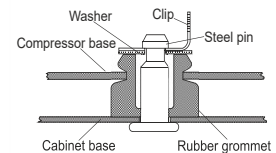
Compressor fixation



Bolt joint



Snap-on



Mounting accessories

'4ZN' with rubber grommet

'4ZN' with rubber grommet and sleeve for M6

Bolt joint kit

'4ZN' with Snap on kit

order code

772N

768N

4ZN + 118-1917 (18)

776N

Application notes

Provision for PE Grounding is located at the PE Stamp on the compressor

Housing with dip-tray fixture (omega bracket).

Various options of connectors are possible - please contact SECOP-Sales.

Model

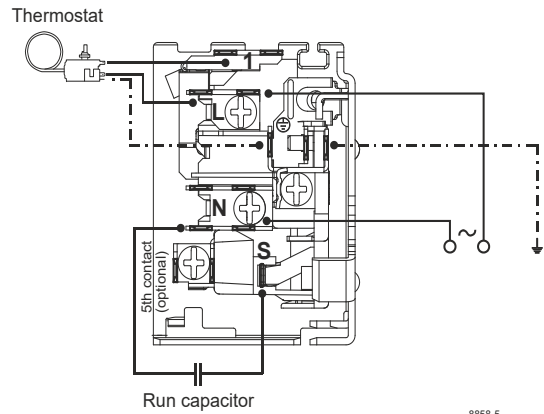
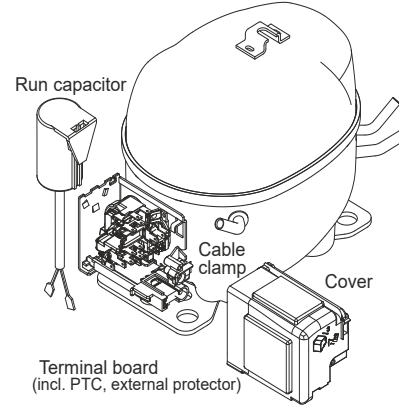
| | | | | | |
|-------------|----------------|----------------------|---------|-------------|-----------------|
| Designation | HXK87AA | 220-240V/50Hz | Conf. 1 | Sales code: | 16364800 |
|-------------|----------------|----------------------|---------|-------------|-----------------|

Configuration

| | |
|------------------------|------------------|
| Motorconfiguration | eRSCR |
| Power supply (nominal) | 220-240V/50Hz 1~ |
| Refrigerant | R600a |
| Application | LBP |
| Voltage range | 187-264V |
| Starting torque | LST |
| Approvals | VDE |

Electrical accessories / wiring diagram

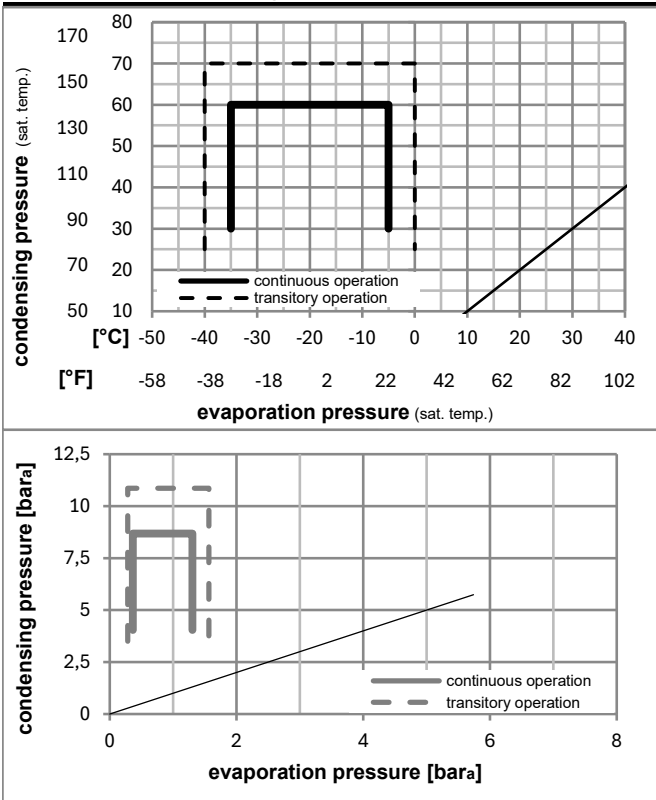
RSCR



Ambient/ machine room temperatures minimum /maximum

| | |
|---------------------------------|------------------------|
| Ambient temperature range: | 10 - 43°C / 50 - 110°F |
| Machine room temperature range: | 10 - 48°C / 50 - 119°F |
| Compressor cooling: | static |

Operation pressure range



Components

| | |
|-------------------------------------|----------|
| . terminal board (e-PTC, 4.8mm) | 15540500 |
| . run capacitor (4µF, 4.8mm) | 11261700 |
| b cover terminal board | 10636401 |
| . Cable clamp (screws not included) | 11341000 |
| . screw - uni6954 | 10636000 |
| . screw - uni6954 | 10636200 |

Alternative components

| | |
|-------------------------|----------|
| . screw uni en iso 4757 | 10641201 |
|-------------------------|----------|

Model

| | | | | | |
|-------------|----------------|----------------------|---------|-------------|-----------------|
| Designation | HXK87AA | 220-240V/50Hz | Conf. 1 | Sales code: | 16364800 |
|-------------|----------------|----------------------|---------|-------------|-----------------|

Optimization + standard conditions

R600a, 220V/50Hz, eRSCR, static, VDE

| | Evaporating pressure (saturation temperature) | | | | Cooling capacity | | | COP | EER | P1 | Power consumption | | Ref. mass flow | ASHRAE LBP |
|--|---|------|------|------|------------------|---------|----------|-------|----------|-----------|-------------------|------|----------------|--------------------|
| | pe | pc | RGT | Tliq | [W] | [Btu/h] | [kcal/h] | | | | I | m | | |
| | [°C] | [°C] | [°C] | [°C] | | | | [W/W] | [Btu/Wh] | [kcal/Wh] | [W] | [A] | [kg/h] | |
| | -23 | 54 | 32 | 32 | 153,5 | 524 | 132,1 | 1,89 | 6,47 | 1,63 | 81,0 | 0,36 | 1,65 | |
| | [°F] | | | | | | | | | | | | | |
| | -10 | 130 | 90 | 90 | | | | | | | | | | |
| | | | | | | | | | | | | | | ASHRAE LBP |
| | -25 | 55 | 32 | 55 | 115,2 | 394 | 99,2 | 1,48 | 5,07 | 1,28 | 77,6 | 0,35 | 1,50 | |
| | [°F] | | | | | | | | | | | | | |
| | -13 | 131 | 90 | 131 | | | | | | | | | | cecomaf LBP |
| | -35 | 40 | 20 | 40 | 81,3 | 278 | 70,0 | 1,46 | 4,98 | 1,26 | 55,7 | 0,31 | 0,99 | |
| | [°F] | | | | | | | | | | | | | |
| | -31 | 104 | 68 | 104 | | | | | | | | | | EN12900 LBP |
| | -23 | 49 | 4,4 | 49 | 124,5 | 425 | 107,2 | 1,58 | 5,38 | 1,36 | 79,0 | 0,36 | 1,82 | |
| | [°F] | | | | | | | | | | | | | |
| | -10 | 120 | 40 | 120 | | | | | | | | | | ARI540 LBP |
| | -23 | 41 | 32 | 32 | 164,1 | 560 | 141,2 | 2,15 | 7,34 | 1,85 | 76,4 | 0,37 | 1,76 | |
| | [°F] | | | | | | | | | | | | | |
| | -10 | 105 | 90 | 90 | | | | | | | | | | AHAM LBP |
| | -35 | 45 | 32 | 45 | 77,5 | 265 | 66,7 | 1,39 | 4,73 | 1,19 | 55,9 | 0,30 | 0,92 | |
| | [°F] | | | | | | | | | | | | | |
| | -31 | 113 | 90 | 113 | | | | | | | | | | opt |

Performance tables

R600a, 220V/50Hz, eRSCR, static, VDE

| | pe | | Cooling capacity | | | COP | EER | | P1 | I | m |
|------------------|------|------|------------------|---------|----------|------|----------|-----------|-------|------|------|
| | [°C] | [°F] | [W] | [Btu/h] | [kcal/h] | | [Btu/Wh] | [kcal/Wh] | | | |
| [°C / °F] | -35 | -31 | 77,5 | 265 | 66,7 | 1,39 | 4,73 | 1,19 | 55,9 | 0,30 | 0,92 |
| cond. pressure | -30 | -22 | 102,3 | 350 | 88,1 | 1,57 | 5,36 | 1,35 | 65,2 | 0,33 | 1,22 |
| pc= 45/113 | -25 | -13 | 133,3 | 455 | 114,7 | 1,79 | 6,10 | 1,54 | 74,6 | 0,36 | 1,59 |
| return gas temp. | -23 | -10 | 145,1 | 496 | 124,9 | 1,87 | 6,37 | 1,61 | 77,8 | 0,37 | 1,73 |
| RGT= 32/90 | -20 | -4 | 170,1 | 581 | 146,4 | 2,03 | 6,92 | 1,75 | 83,9 | 0,39 | 2,03 |
| liquid temp | -15 | 5 | 213,0 | 727 | 183,3 | 2,29 | 7,82 | 1,97 | 93,1 | 0,42 | 2,54 |
| Tliq= 45/113 | -5 | 23 | 316,3 | 1080 | 272,2 | 2,86 | 9,77 | 2,46 | 110,5 | 0,50 | 3,80 |
| [°C / °F] | -35 | -31 | 64,9 | 222 | 55,8 | 1,15 | 3,94 | 0,99 | 56,2 | 0,28 | 0,84 |
| cond. pressure | -30 | -22 | 87,1 | 297 | 74,9 | 1,30 | 4,45 | 1,12 | 66,8 | 0,32 | 1,13 |
| pc= 55/131 | -25 | -13 | 115,2 | 394 | 99,2 | 1,48 | 5,07 | 1,28 | 77,6 | 0,35 | 1,50 |
| return gas temp | -23 | -10 | 126,1 | 431 | 108,6 | 1,55 | 5,30 | 1,34 | 81,3 | 0,36 | 1,65 |
| RGT= 32/90 | -20 | -4 | 149,2 | 510 | 128,4 | 1,69 | 5,76 | 1,45 | 88,5 | 0,39 | 1,95 |
| liquid temp | -15 | 5 | 189,1 | 646 | 162,8 | 1,90 | 6,50 | 1,64 | 99,4 | 0,43 | 2,48 |
| Tliq= 55/131 | -5 | 23 | 286,2 | 977 | 246,3 | 2,37 | 8,09 | 2,04 | 120,8 | 0,53 | 3,77 |

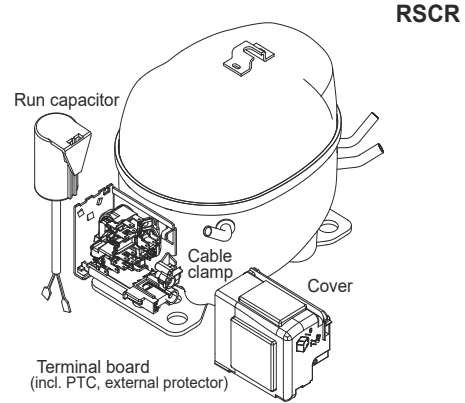
Model

| | | | | | |
|-------------|----------------|----------------------|----------------|-------------|-----------------|
| Designation | HXK87AA | 220-240V/50Hz | Conf. 2 | Sales code: | 16364800 |
|-------------|----------------|----------------------|----------------|-------------|-----------------|

Configuration

| | |
|------------------------|------------------|
| Motorconfiguration | RSCR |
| Power supply (nominal) | 220-240V/50Hz 1~ |
| Refrigerant | R600a |
| Application | LBP |
| Voltage range | 187-264V |
| Starting torque | LST |
| Approvals | VDE |

Electrical accessories / wiring diagram



Ambient/ machine room temperatures minimum /maximum

| | |
|---------------------------------|------------------------|
| Ambient temperature range: | 10 - 43°C / 50 - 110°F |
| Machine room temperature range: | 10 - 48°C / 50 - 119°F |
| Compressor cooling: | static |

Operation pressure range



Components

| | |
|-------------------------------------|----------|
| . terminal board (PTC, 6.3mm) | 15279300 |
| . run capacitor (4μF, 6.3mm) | 15186801 |
| b cover terminal board | 10636401 |
| . Cable clamp (screws not included) | 11341000 |
| . screw - uni6954 | 10636000 |
| . screw - uni6954 | 10636200 |

Alternative components

| | |
|-------------------------------|----------|
| . terminal board (PTC, 4.8mm) | 15163500 |
| . run capacitor (4μF, 4.8mm) | 11261700 |
| . screw uni en iso 4757 | 10641201 |

Model

| | | | | | |
|-------------|----------------|----------------------|----------------|-------------|-----------------|
| Designation | HXK87AA | 220-240V/50Hz | Conf. 2 | Sales code: | 16364800 |
|-------------|----------------|----------------------|----------------|-------------|-----------------|

Optimization + standard conditions

R600a, 220V/50Hz, RSCR, static, VDE

| | | Evaporating pressure (saturation temperature) | | | | Cooling capacity | | | COP | | | EER | | | Power consumption | | | |
|------|-----|---|-----|------------------|-------|------------------|---------|----------|-------|----------|---------------------|------|------|--------------------|-------------------|-----|--------|--|
| | | Condensing pressure (saturation temperature) | | Return gas temp. | | Liquid temp. | | | | | Current consumption | | | Ref. mass flow | | | | |
| | | pe | pc | RGT | Tliq | [W] | [Btu/h] | [kcal/h] | [W/W] | [Btu/Wh] | [kcal/Wh] | P1 | I | m | [W] | [A] | [kg/h] | |
| [°C] | -23 | 54 | 32 | 32 | 153,5 | 524 | 132,1 | 1,89 | 6,47 | 1,63 | 81,0 | 0,36 | 1,65 | ASHRAE LBP | | | | |
| [°F] | -10 | 130 | 90 | 90 | | | | | | | | | | | | | | |
| [°C] | -25 | 55 | 32 | 55 | 115,2 | 394 | 99,2 | 1,48 | 5,07 | 1,28 | 77,6 | 0,35 | 1,50 | cecomaf LBP | | | | |
| [°F] | -13 | 131 | 90 | 131 | | | | | | | | | | | | | | |
| [°C] | -35 | 40 | 20 | 40 | 81,3 | 278 | 70,0 | 1,46 | 4,98 | 1,26 | 55,7 | 0,31 | 0,99 | EN12900 LBP | | | | |
| [°F] | -31 | 104 | 68 | 104 | | | | | | | | | | | | | | |
| [°C] | -23 | 49 | 4,4 | 49 | 124,5 | 425 | 107,2 | 1,58 | 5,38 | 1,36 | 79,0 | 0,36 | 1,82 | ARI540 LBP | | | | |
| [°F] | -10 | 120 | 40 | 120 | | | | | | | | | | | | | | |
| [°C] | -23 | 41 | 32 | 32 | 164,1 | 560 | 141,2 | 2,15 | 7,34 | 1,85 | 76,4 | 0,37 | 1,76 | AHAM LBP | | | | |
| [°F] | -10 | 105 | 90 | 90 | | | | | | | | | | | | | | |
| [°C] | -35 | 45 | 32 | 45 | 77,5 | 265 | 66,7 | 1,39 | 4,73 | 1,19 | 55,9 | 0,30 | 0,92 | opt | | | | |
| [°F] | -31 | 113 | 90 | 113 | | | | | | | | | | | | | | |

Performance tables

R600a, 220V/50Hz, RSCR, static, VDE

| | pe | | Cooling capacity | | | COP | | | EER | | | P1 | | | I | | | m | | | |
|------------------|------|------|------------------|---------|----------|-------|----------|-----------|-------|------|--------|-----|-----|--------|-----|-----|--------|-----|-----|--------|--|
| | [°C] | [°F] | [W] | [Btu/h] | [kcal/h] | [W/W] | [Btu/Wh] | [kcal/Wh] | [W] | [A] | [kg/h] | [W] | [A] | [kg/h] | [W] | [A] | [kg/h] | [W] | [A] | [kg/h] | |
| [°C / °F] | -35 | -31 | 77,5 | 265 | 66,7 | 1,39 | 4,73 | 1,19 | 55,9 | 0,30 | 0,92 | | | | | | | | | | |
| cond. pressure | -30 | -22 | 102,3 | 350 | 88,1 | 1,57 | 5,36 | 1,35 | 65,2 | 0,33 | 1,22 | | | | | | | | | | |
| pc= 45/113 | -25 | -13 | 133,3 | 455 | 114,7 | 1,79 | 6,10 | 1,54 | 74,6 | 0,36 | 1,59 | | | | | | | | | | |
| return gas temp. | -23 | -10 | 145,1 | 496 | 124,9 | 1,87 | 6,37 | 1,61 | 77,8 | 0,37 | 1,73 | | | | | | | | | | |
| RGT= 32/90 | -20 | -4 | 170,1 | 581 | 146,4 | 2,03 | 6,92 | 1,75 | 83,9 | 0,39 | 2,03 | | | | | | | | | | |
| liquid temp | -15 | 5 | 213,0 | 727 | 183,3 | 2,29 | 7,82 | 1,97 | 93,1 | 0,42 | 2,54 | | | | | | | | | | |
| Tliq= 45/113 | -5 | 23 | 316,3 | 1080 | 272,2 | 2,86 | 9,77 | 2,46 | 110,5 | 0,50 | 3,80 | | | | | | | | | | |
| [°C / °F] | -35 | -31 | 64,9 | 222 | 55,8 | 1,15 | 3,94 | 0,99 | 56,2 | 0,28 | 0,84 | | | | | | | | | | |
| cond. pressure | -30 | -22 | 87,1 | 297 | 74,9 | 1,30 | 4,45 | 1,12 | 66,8 | 0,32 | 1,13 | | | | | | | | | | |
| pc= 55/131 | -25 | -13 | 115,2 | 394 | 99,2 | 1,48 | 5,07 | 1,28 | 77,6 | 0,35 | 1,50 | | | | | | | | | | |
| return gas temp | -23 | -10 | 126,1 | 431 | 108,6 | 1,55 | 5,30 | 1,34 | 81,3 | 0,36 | 1,65 | | | | | | | | | | |
| RGT= 32/90 | -20 | -4 | 149,2 | 510 | 128,4 | 1,69 | 5,76 | 1,45 | 88,5 | 0,39 | 1,95 | | | | | | | | | | |
| liquid temp | -15 | 5 | 189,1 | 646 | 162,8 | 1,90 | 6,50 | 1,64 | 99,4 | 0,43 | 2,48 | | | | | | | | | | |
| Tliq= 55/131 | -5 | 23 | 286,2 | 977 | 246,3 | 2,37 | 8,09 | 2,04 | 120,8 | 0,53 | 3,77 | | | | | | | | | | |



K-Series Compressors

GTK, HKK, HMK, HTK, HXK, HZK



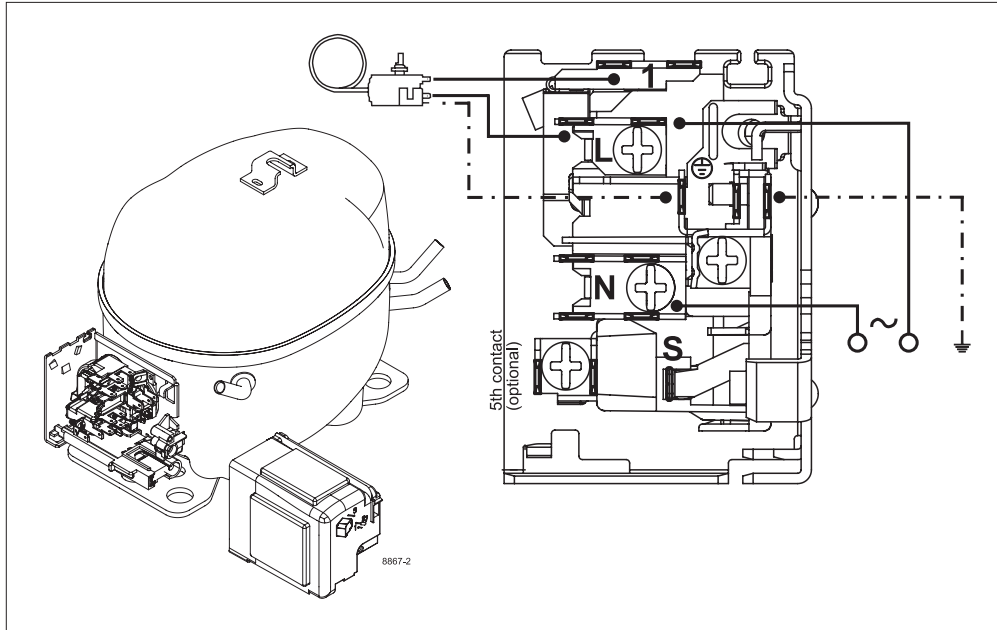
Service/Repair – R600a

R600a



K-Series Compressors

GTK, HKK, HMK, HTK, HXK, HZK



Service/Repair – R600a

Secop accepts no responsibility for possible errors in catalogs, brochures, and other printed material. Secop reserves the right to alter its products without notice. This also applies to products already on order provided that such alterations can be made without subsequential changes being necessary to specifications already agreed. All trademarks in this material are the property of the respective companies. Secop and the Secop logotype are trademarks of Secop GmbH. All rights reserved. www.secop.com