

Single Pack NLV12.6CN 100-240V 50/60Hz PM

Single pack code number: **195B4605**

| Position | Title | Code | Amount |
|----------|--|----------|--------|
| 1 | Compressor NLV12.6CN | 105H6365 | 1 |
| 2 | Electronic unit NLV | 105N4761 | 1 |
| 3 | Cover | 103N2008 | 1 |
| 4 | Bolt joint for one compressor M6 ø16mm | 118-1917 | 1 |

Secop GmbH • Lise-Meitner-Straße 29 • 24941 Flensburg, Germany • Tel: +49 461 4941 0 • www.secop.com

Secop accepts no responsibility for possible errors in catalogs, brochures, and other printed material. Secop reserves the right to alter its products without notice. This also applies to products already on order provided that such alterations can be made without subsequent changes being necessary to specifications already agreed. All trademarks in this material are the property of the respective companies. Secop and the Secop logotype are trademarks of Secop GmbH. All rights reserved.

Model

| | | | |
|-------------|------------------|-------------|-----------------|
| Designation | NLV12.6CN | Sales code: | 105H6365 |
|-------------|------------------|-------------|-----------------|

Compressor design

| | | | |
|----------------------------|---------------------------------|-----------------------|----------------------------------|
| Oil type | Polyolester | Refrigerant(s) | R290 |
| Oil viscosity | 32cST | Displacement | 12,55cm ³ / 0,77cu.in |
| Oil quantity | 298cm ³ / 10,1fl.oz | Compressors on pallet | 80 |
| Refr. charge - tech. limit | 300g / 10,6oz | | |
| Free gas volume comp. | 2360cm ³ / 79,8fl.oz | | |
| Weight | 10,8kg / 23,8lbs | | |
| Motor protection | 2# internal | | |
| Winding resist. ph. to ph. | 5,3Ω (at 25°C) | | |
| Max. winding temp. | 125°C / 257°F | | |
| Max. discharge temp. | 130°C / 266°F | | |



General - Configurations and Applications with NLV12.6CN and Controller

| | Conf. 1 | Conf. 2 | Conf. 3 | Conf. 4 |
|---------------------------|------------------|------------------|------------------|------------------|
| Sales code single pack: | 105N4910 | 105N4960 | 105N4962 | 105N4866 |
| Sales code industry pack: | 105N4911 | 105N4961 | 105N4963 | 105N4867 |
| Power supply (nominal) | 220-240V 50/60Hz | 100-240V 50/60Hz | 100-240V 50/60Hz | 100-240V 50/60Hz |
| Approvals | VDE,CCC | VDE,UL,CCC,CB | VDE,UL,CCC,CB | CCC,VDE,UL,CB |
| Refrigerant | R290 | R290 | R290 | R290 |
| Number of phases | 1~ AC | 1~ AC | 1~ AC | 1~ AC |
| Application | LBP+MBP | LBP+MBP | LBP+MBP | LBP+MBP |
| Starting torque | HST | HST | HST | HST |
| Hot gas defrost | OK | OK | OK | OK |
| Long interval pull down | OK | OK | OK | OK |
| System cooling | fan 3m/s | fan 3m/s | fan 3m/s | fan 3m/s |
| Note | - / - | | | |

Controller functions

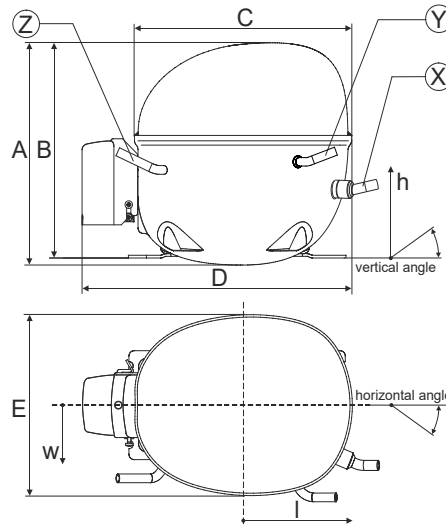
| | Conf. 1 | Conf. 2 | Conf. 3 | Conf. 4 |
|-----------------------|----------------|----------------|--------------------|----------------|
| Protection | Mechanic | Mechanic | Mechanic | Mechanic |
| Max output power | 1000 W | 1000 W | 1000 W | 1000 W |
| No of relays | 2 | 2 | 2 | 8 |
| Hot gas defrost | yes | yes | yes | yes |
| AEO speed setting | yes | yes | yes | N |
| Serial com, (Modbus) | SWI | SWI | SWI | RS485 |
| DWI / Frequency input | yes | yes | yes | N |
| Note | | | US GFCI-Conformity | |

Model

| | | | |
|-------------|------------------|-------------|-----------------|
| Designation | NLV12.6CN | Sales code: | 105H6365 |
|-------------|------------------|-------------|-----------------|

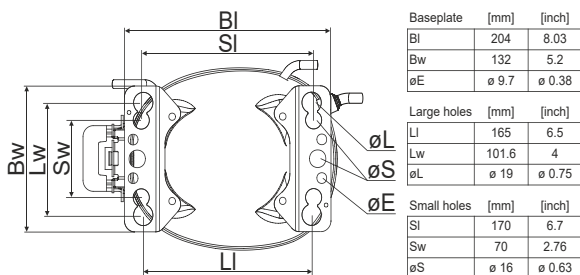
Compressor dimensions

| | | |
|----------------|-------------------|----------------|
| Housing | A Height | 203mm / 7,99in |
| | B Height | 197mm / 7,76in |
| | C Length shell | 205mm / 8,07in |
| | D Length w. cover | 252mm / 9,92in |
| | E Width | 166mm / 6,54in |

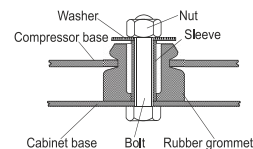


| Connectors | | Suction | Discharge | Process |
|-----------------------|------|--------------|--------------|--------------|
| | | X | Y | Z |
| Diameter | [mm] | øi 8,11-8,29 | øi 6,11-6,29 | øi 6,11-6,29 |
| (i:inside, o:outside) | [in] | øi 0,32-0,33 | øi 0,24-0,25 | øi 0,24-0,25 |
| Material | | copper | copper | copper |
| Horizontal angle | ±2° | 0° | 0° | 0° |
| Vertical angle | ±2° | 15° | 21° | 155° |
| Position l/h/w | [mm] | 132/69/57 | 94/102/81 | -109/94/72 |
| | [in] | 5,2/2,7/2,2 | 3,7/4/3,2 | -4,3/3,7/2,8 |
| Straight tube l. | [mm] | 12 | 12 | 12 |
| | [in] | 0,5 | 0,5 | 0,5 |

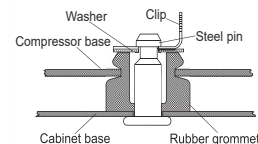
Compressor fixation



Bolt joint



Snap-on



| Mounting accessories | one comp. | multi pack |
|----------------------------|-----------|------------|
| Bolt joint M6 ø16mm | 118-1917 | 118-1918 |
| Bolt joint ø1/4" ø16mm | 118-1946 | |
| Bolt joint ø1/4" ø19mm | 118-1949 | |
| Snap-on ø7,3 ø16mm | 118-1947 | 118-1919 |

Application notes

Operation possible until tilted up to 3 degrees

Provision for PE Grounding is located at the PE Stamp on the compressor

Model

| | | | | | |
|-------------------|--------------------|-------------------------|----------------|-------------|-----------------|
| Designation | NLV12.6CN | 220-240V 50/60Hz | Conf. 1 | Sales code: | 105H6365 |
| Controller | NLV MP 230V | | | | 105N4910 |

| | |
|------------------------------|--------------------|
| Sales code single pack: | 105N4910 (1 units) |
| Sales code industry pack: | 105N4911 (8 units) |
| Adaption to compressor: | detached |
| Protection class: | IP54 |
| Weight: | 1.4 kg / 3.08 lbs |
| Voltage nom.: | 220-240V 50/60Hz |
| Voltage range: | 180-270 V |
| Max. current: | 8,4 A (230 V) |
| LRA (Locked Rotor Amperage): | 1,2 A |
| Cable length: | 680 mm |
| Compressor speed range: | 2000-4500 rpm |
| Housing plastic: | UL94-5VA |

Controller dimensions:



QR Code and Hyperlink leads to the [Operating Instructions.](#)

Operation Limits

Suctiongas temperature < +20°C (continuous operation)

System cooling

Ambient/ machineroom temperatures minimum /maximum

| | |
|--|------------------------|
| Ambient temperature range: | 10 - 43°C / 50 - 110°F |
| Machine room temperature range compressor: | 10 - 48°C / 50 - 119°F |
| Machine room temperature range controller: | 10 - 50°C / 50 - 122°F |

Compressor and Controller Cooling: Fan cooling 3m/s

Ensure proper airflow of 3 m/s at both compressor and electronic units.

The airflow for the electronics must be directed to the heat sink.



Operation pressure range

R290

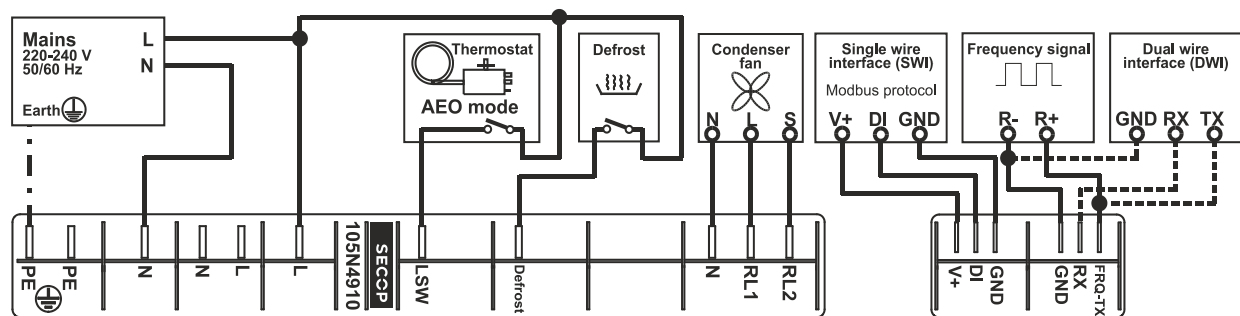
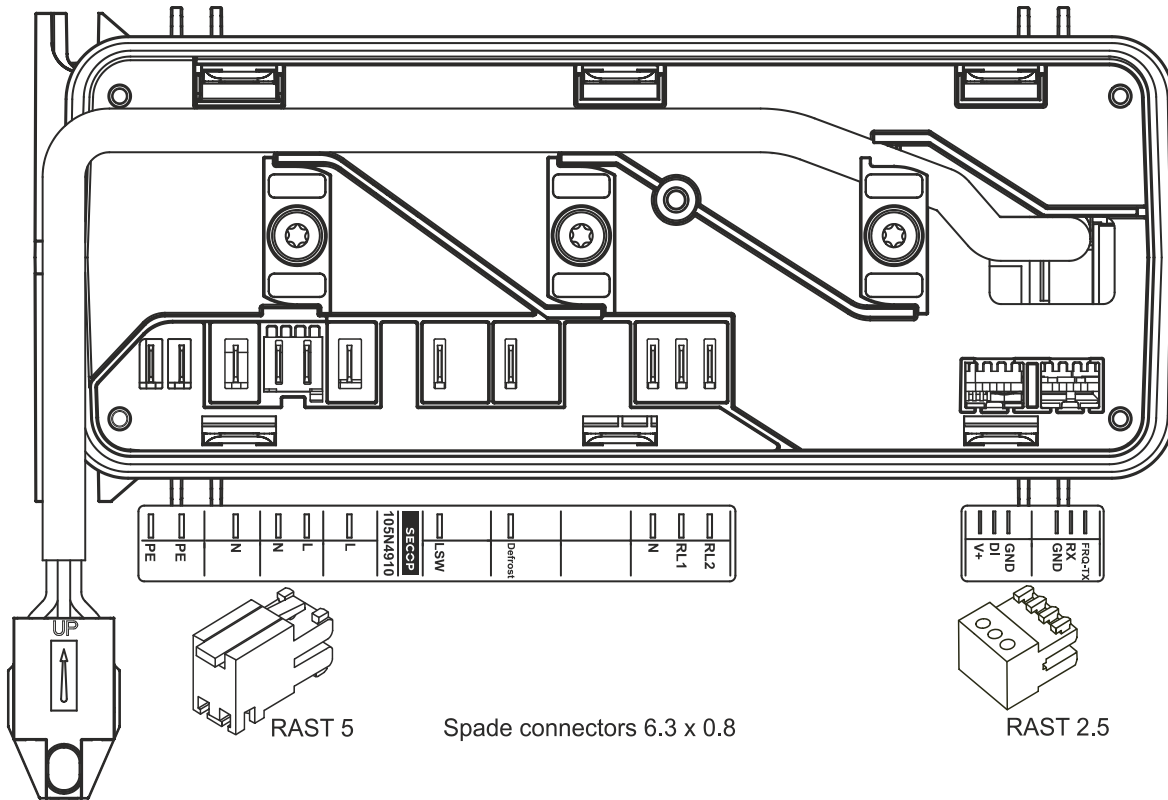


Model

| | | | | | |
|-------------|-----------|------------------|---------|-------------|----------|
| Designation | NLV12.6CN | 220-240V 50/60Hz | Conf. 1 | Sales code: | 105H6365 |
|-------------|-----------|------------------|---------|-------------|----------|

| | | | | | |
|------------|-------------|--|--|--|----------|
| Controller | NLV MP 230V | | | | 105N4910 |
|------------|-------------|--|--|--|----------|

Controller connections



Accessories (Compressor + Controller) - check operation manual for details

| | | |
|----------|--------------------------------|--------|
| 103N2008 | plastic cover | 1 pcs |
| 103N9110 | plastic cover (MP of 103N2008) | 80 pcs |

Model

| | | | | | |
|-------------|--------------------|-------------------------|----------------|-------------|-----------------|
| Designation | NLV12.6CN | 220-240V 50/60Hz | Conf. 1 | Sales code: | 105H6365 |
| Controller | NLV MP 230V | | | | 105N4910 |

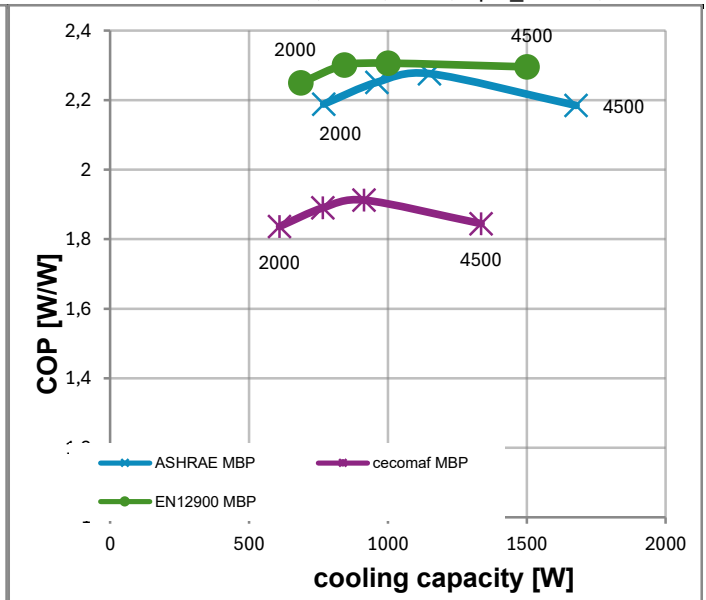
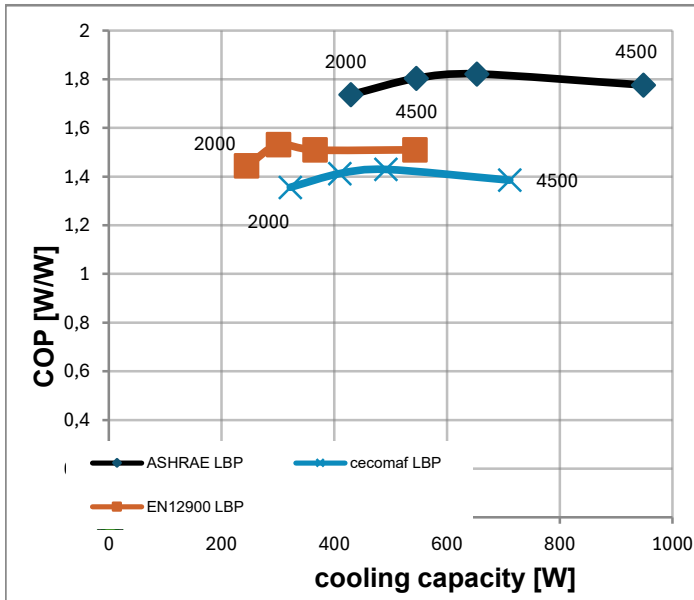
Optimization + standard conditions

R290, 220V, 50Hz, Rpm_N 4500, fan 3m/s

| | Evaporating pressure (saturation temperature) | | | | Condensing pressure (saturation temperature) | | | | | | Power consumption | | | ASHRAE LBP |
|--|---|------|------------------|------|--|---------|----------|-------|----------|-----------|---------------------|------|----------------|-------------|
| | pe | pc | Return gas temp. | | Cooling capacity | | | COP | EER | P1 | Current consumption | | Ref. mass flow | |
| | | | RGT | Tliq | [W] | [Btu/h] | [kcal/h] | | | | I | m | | |
| | [°C] | [°F] | [°C] | [°C] | [W] | [Btu/h] | [kcal/h] | [W/W] | [Btu/Wh] | [kcal/Wh] | [W] | [A] | [kg/h] | |
| | -23 | 54 | 32 | 32 | 948,7 | 3240 | 816,5 | 1,78 | 6,07 | 1,53 | 534,1 | 2,90 | 9,61 | ASHRAE LBP |
| | -10 | 130 | 90 | 90 | | | | | | | | | | |
| | -25 | 55 | 32 | 55 | 711,3 | 2429 | 612,2 | 1,39 | 4,73 | 1,19 | 513,5 | 2,79 | 8,86 | cecomaf LBP |
| | -13 | 131 | 90 | 131 | | | | | | | | | | |
| | -35 | 40 | 20 | 40 | 543,4 | 1856 | 467,7 | 1,51 | 5,16 | 1,30 | 359,9 | 1,96 | 6,21 | EN12900 LBP |
| | -31 | 104 | 68 | 104 | | | | | | | | | | |
| | -7 | 54 | 35 | 46 | 1677,8 | 5730 | 1443,9 | 2,18 | 7,46 | 1,88 | 768,0 | 4,17 | 19,14 | ASHRAE MBP |
| | 20 | 130 | 95 | 115 | | | | | | | | | | |
| | -10 | 55 | 32 | 55 | 1335,8 | 4562 | 1149,6 | 1,84 | 6,30 | 1,59 | 724,1 | 3,94 | 16,90 | cecomaf MBP |
| | 14 | 131 | 90 | 131 | | | | | | | | | | |
| | -10 | 45 | 20 | 45 | 1501,8 | 5129 | 1292,5 | 2,30 | 7,84 | 1,98 | 654,2 | 3,56 | 18,44 | EN12900 MBP |
| | 14 | 113 | 68 | 113 | | | | | | | | | | |

Standard conditions with different RPM

R290, 220V, 50Hz, Rpm_N 4500, fan 3m/s



Test conditions:

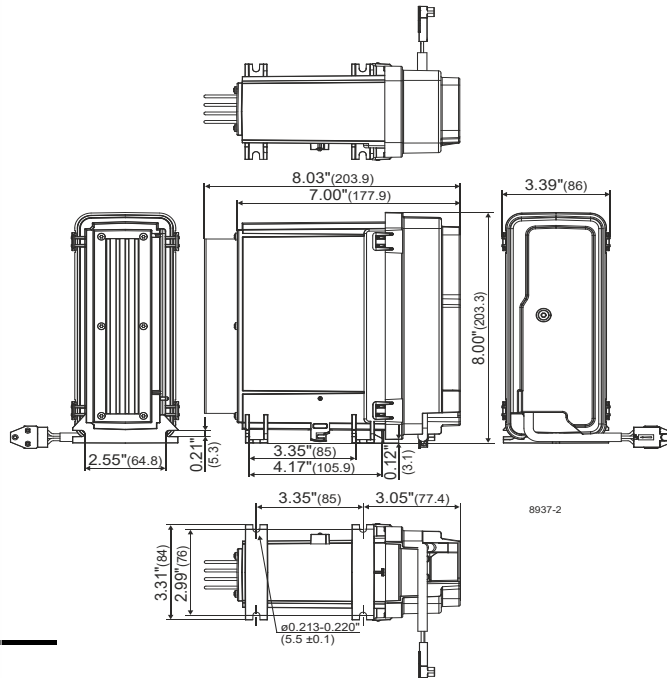
| | pe [°C] | pc [°C] | Tliq [°C] | Tsuc [°C] | | pe [°C] | pc [°C] | Tliq [°C] | Tsuc [°C] |
|-------------|---------|---------|-----------|-----------|-------------|---------|---------|-----------|-----------|
| ASHRAE LBP | -23,33 | 54,44 | 32,22 | 32,22 | ASHRAE MBP | -6,66 | 54,44 | 46,11 | 35 |
| cecomaf LBP | -25 | 55 | 55 | 32 | cecomaf MBP | -10 | 55 | 55 | 32 |
| EN12900 LBP | -35 | 40 | 40 | 20 | EN12900 MBP | -10 | 45 | 45 | 20 |

Model

| | | | | | |
|-------------------|------------------|-------------------------|----------------|-------------|-----------------|
| Designation | NLV12.6CN | 100-240V 50/60Hz | Conf. 2 | Sales code: | 105H6365 |
| Controller | NLV MP MV | | | | 105N4960 |

| | |
|------------------------------|-------------------------------|
| Sales code single: | 105N4960 (1 units) |
| Sales code industry pack: | 105N4961 (8 units) |
| Adaption to compressor: | detached |
| Protection class: | IP54 |
| Weight: | 1.4 kg / 3.08 lbs |
| Voltage nom. | 100-240V 50/60Hz |
| Voltage range | 90-150/180-270 V |
| Max. current: | 4,2 A (230 V) / 8,4 A (115 V) |
| LRA (Locked Rotor Amperage): | 1,2 A |
| Cable length: | 680 mm |
| Compressor speed range: | 2000-4500 rpm |
| Housing plastic: | UL94-5VA |

Controller dimensions:



QR Code and Hyperlink leads to the [Operating Instructions.](#)

Operation Limits

Suctiongas temperature < +20°C (continuous operation)

System cooling

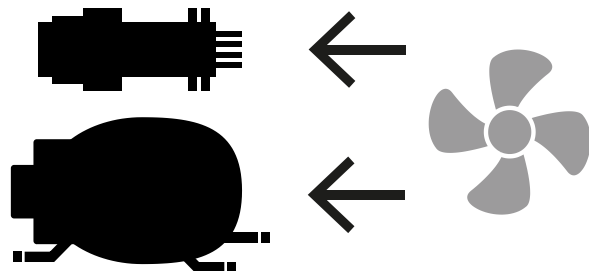
Ambient/ machineroom temperatures minimum /maximum

| | |
|--|------------------------|
| Ambient temperature range: | 10 - 43°C / 50 - 110°F |
| Machine room temperature range compressor: | 10 - 48°C / 50 - 119°F |
| Machine room temperature range controller: | 10 - 50°C / 50 - 122°F |

Compressor and Controller Cooling: Fan cooling 3m/s

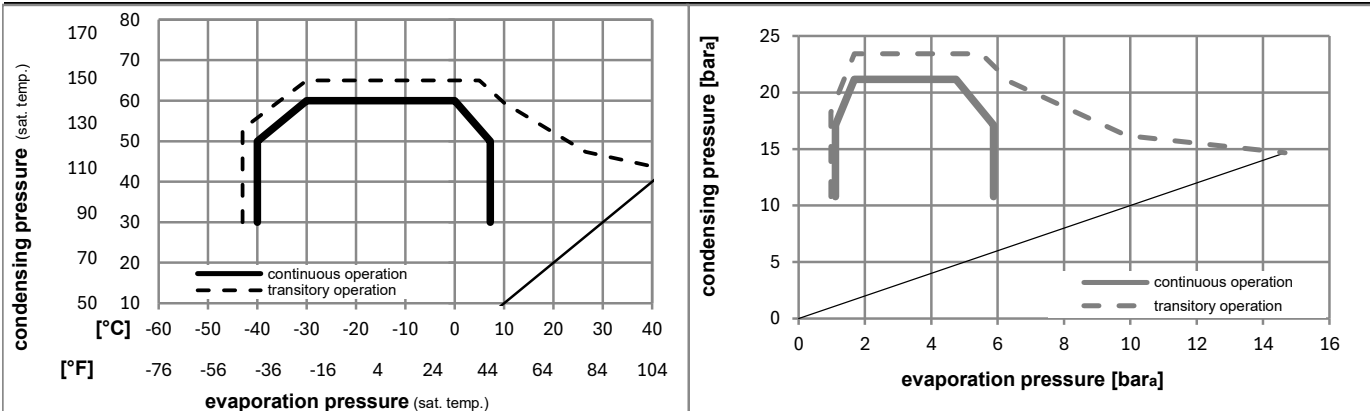
Ensure proper airflow of 3 m/s at both compressor and electronic units.

The airflow for the electronics must be directed to the heat sink.



Operation pressure range

R290

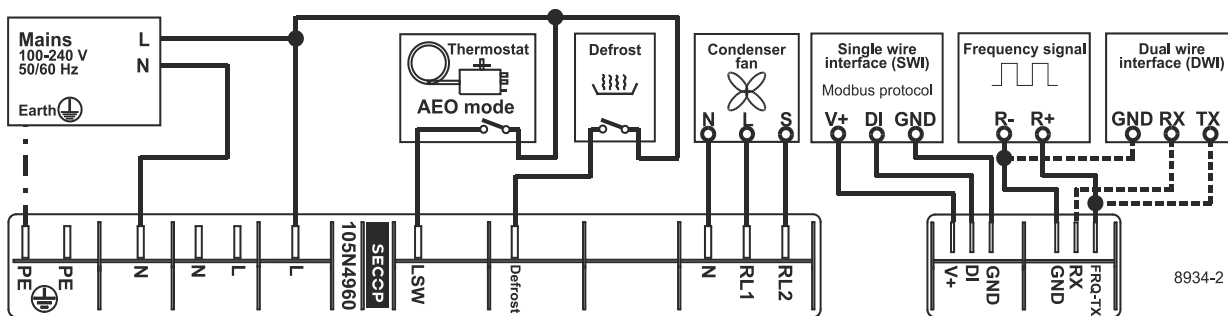
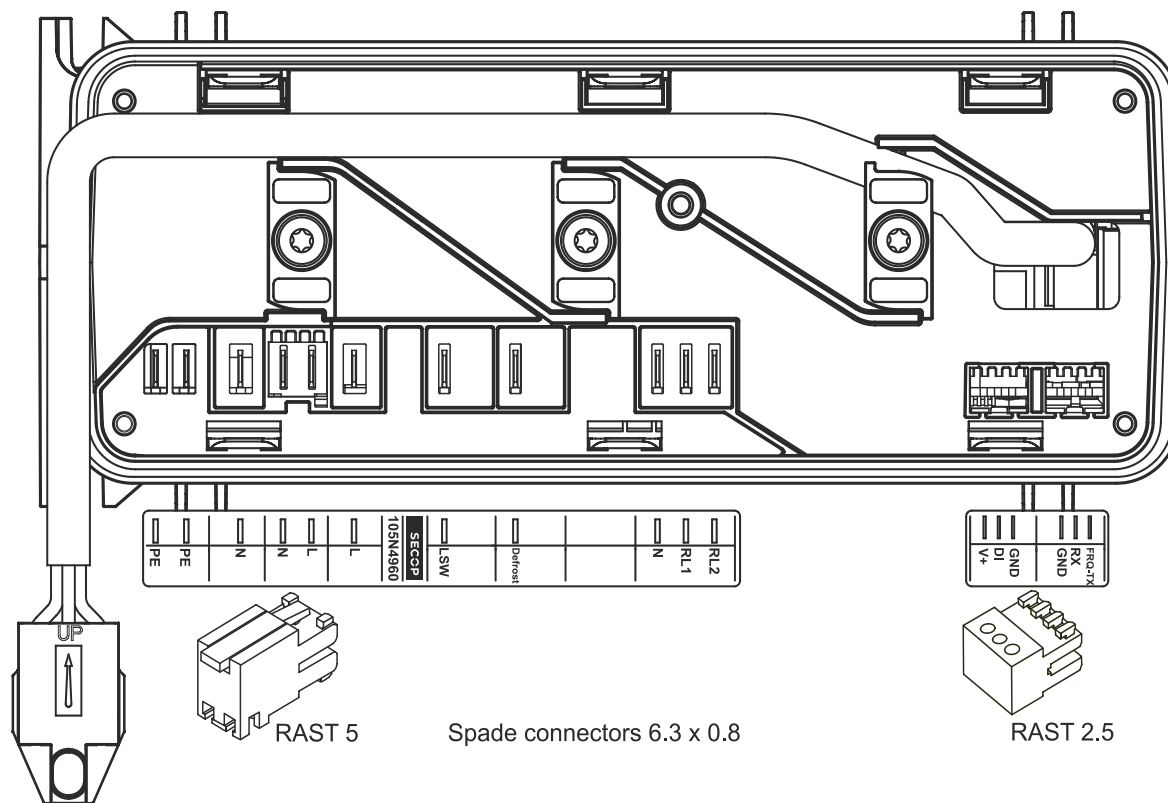


Model

| | | | | | |
|-------------|-----------|------------------|---------|-------------|----------|
| Designation | NLV12.6CN | 100-240V 50/60Hz | Conf. 2 | Sales code: | 105H6365 |
|-------------|-----------|------------------|---------|-------------|----------|

| | | | | | |
|------------|-----------|--|--|--|----------|
| Controller | NLV MP MV | | | | 105N4960 |
|------------|-----------|--|--|--|----------|

Controller connections



Accessories (Compressor + Controller) - check operation manual for details

| | | |
|----------|--------------------------------|--------|
| 103N2008 | plastic cover | 1 pcs |
| 103N9110 | plastic cover (MP of 103N2008) | 80 pcs |

Model

| | | | | | |
|-------------|------------------|-------------------------|----------------|-------------|-----------------|
| Designation | NLV12.6CN | 100-240V 50/60Hz | Conf. 2 | Sales code: | 105H6365 |
| Controller | NLV MP MV | | | | 105N4960 |

Optimization + standard conditions

R290, 220V, 50Hz, Rpm_N 4500, fan 3m/s

| | Evaporating pressure (saturation temperature) | | | | Condensing pressure (saturation temperature) | | | COP | EER | Power consumption | Current consumption | | Ref. mass flow | |
|--|---|------|------|------|--|---------|----------|-------|----------|-------------------|---------------------|------|----------------|-------------|
| | pe | pc | RGT | Tliq | [W] | [Btu/h] | [kcal/h] | | | | P1 | I | | |
| | [°C] | [°F] | [°C] | [°F] | [W] | [Btu/h] | [kcal/h] | [W/W] | [Btu/Wh] | [kcal/Wh] | [W] | [A] | [kg/h] | |
| | -23 | 54 | 32 | 32 | 948,7 | 3240 | 816,5 | 1,78 | 6,07 | 1,53 | 534,1 | 2,90 | 9,61 | ASHRAE LBP |
| | -10 | 130 | 90 | 90 | | | | | | | | | | |
| | -25 | 55 | 32 | 55 | 711,3 | 2429 | 612,2 | 1,39 | 4,73 | 1,19 | 513,5 | 2,79 | 8,86 | cecomaf LBP |
| | -13 | 131 | 90 | 131 | | | | | | | | | | |
| | -35 | 40 | 20 | 40 | 543,4 | 1856 | 467,7 | 1,51 | 5,16 | 1,30 | 359,9 | 1,96 | 6,21 | EN12900 LBP |
| | -31 | 104 | 68 | 104 | | | | | | | | | | |
| | -7 | 54 | 35 | 46 | 1677,8 | 5730 | 1443,9 | 2,18 | 7,46 | 1,88 | 768,0 | 4,17 | 19,14 | ASHRAE MBP |
| | 20 | 130 | 95 | 115 | | | | | | | | | | |
| | -10 | 55 | 32 | 55 | 1335,8 | 4562 | 1149,6 | 1,84 | 6,30 | 1,59 | 724,1 | 3,94 | 16,90 | cecomaf MBP |
| | 14 | 131 | 90 | 131 | | | | | | | | | | |
| | -10 | 45 | 20 | 45 | 1501,8 | 5129 | 1292,5 | 2,30 | 7,84 | 1,98 | 654,2 | 3,56 | 18,44 | EN12900 MBP |
| | 14 | 113 | 68 | 113 | | | | | | | | | | |

Standard conditions with different RPM

R290, 220V, 50Hz, fan 3m/s



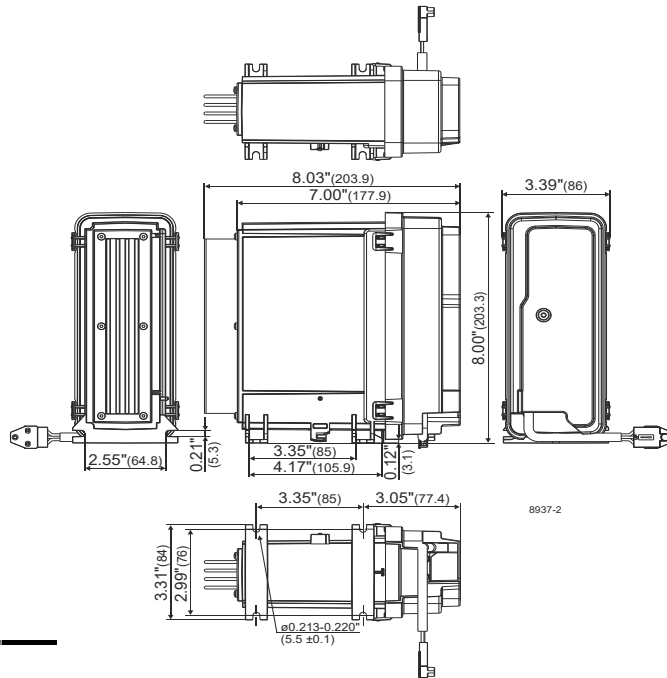
| Test conditions: | pe [°C] | pc [°C] | Tliq [°C] | Tsuc [°C] | pe [°C] | pc [°C] | Tliq [°C] | Tsuc [°C] | |
|------------------|---------|---------|-----------|-----------|-------------|---------|-----------|-----------|----|
| ASHRAE LBP | -23,33 | 54,44 | 32,22 | 32,22 | ASHRAE MBP | -6,66 | 54,44 | 46,11 | 35 |
| cecomaf LBP | -25 | 55 | 55 | 32 | cecomaf MBP | -10 | 55 | 55 | 32 |
| EN12900 LBP | -35 | 40 | 40 | 20 | EN12900 MBP | -10 | 45 | 45 | 20 |

Model

| | | | | | |
|-------------------|-----------------------|-------------------------|----------------|-------------|-----------------|
| Designation | NLV12.6CN | 100-240V 50/60Hz | Conf. 3 | Sales code: | 105H6365 |
| Controller | NLV MP MV GFCI | | | | 105N4962 |

| | |
|------------------------------|-------------------------------|
| Sales code single: | 105N4962 (1 units) |
| Sales code industry pack: | 105N4963 (8 units) |
| Adaption to compressor: | detached |
| Protection class: | IP54 |
| Weight: | 1.4 kg / 3.08 lbs |
| Voltage nom. | 100-240V 50/60Hz |
| Voltage range | 90-150/180-270 V |
| Max. current: | 4,2 A (230 V) / 8,4 A (115 V) |
| LRA (Locked Rotor Amperage): | 1,2 A |
| Cable length: | 915 mm |
| Compressor speed range: | 2000-4500 rpm |
| Housing plastic: | UL94-5VA |

Controller dimensions:



QR Code and Hyperlink leads to the [Operating Instructions.](#)

Operation Limits

Suctiongas temperature < +20°C (continuous operation)

System cooling

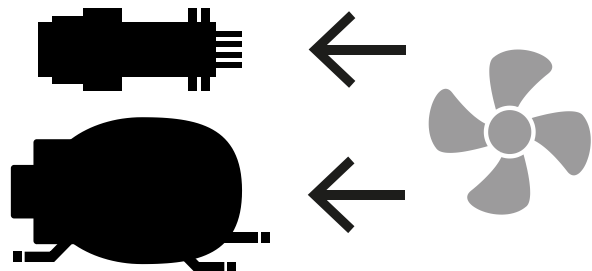
Ambient/ machineroom temperatures minimum /maximum

| | |
|--|------------------------|
| Ambient temperature range: | 10 - 43°C / 50 - 110°F |
| Machine room temperature range compressor: | 10 - 48°C / 50 - 119°F |
| Machine room temperature range controller: | 10 - 50°C / 50 - 122°F |

Compressor and Controller Cooling: Fan cooling 3m/s

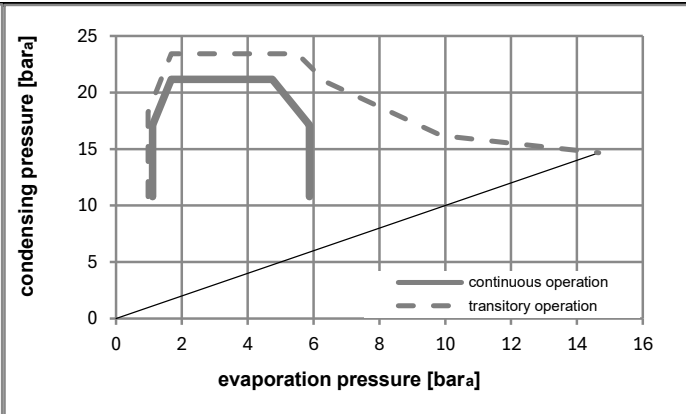
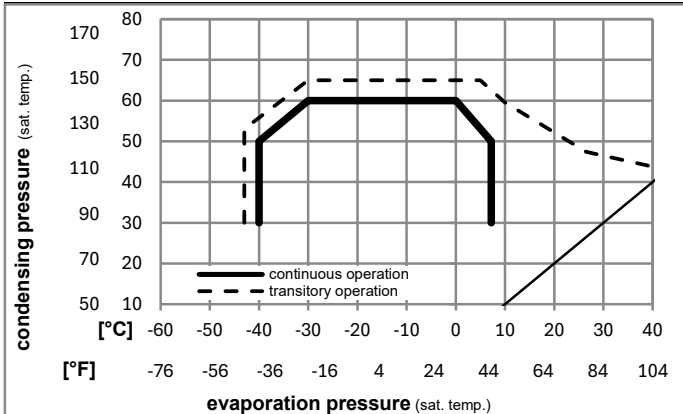
Ensure proper airflow of 3 m/s at both compressor and electronic units.

The airflow for the electronics must be directed to the heat sink.



Operation pressure range

R290

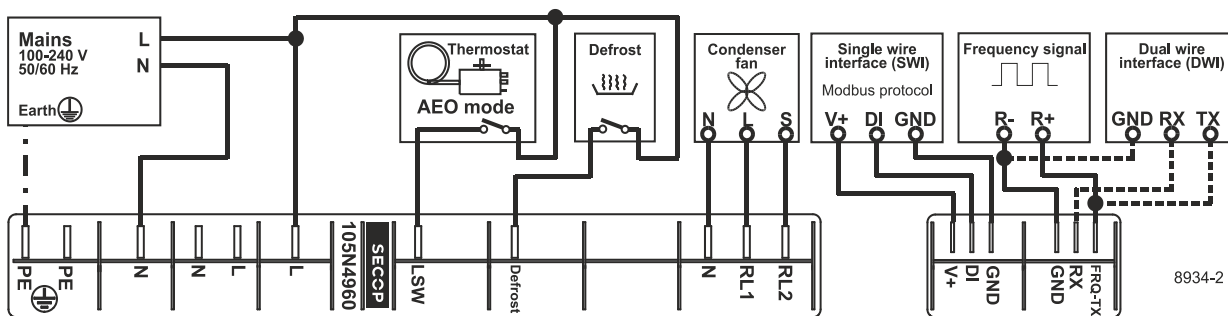
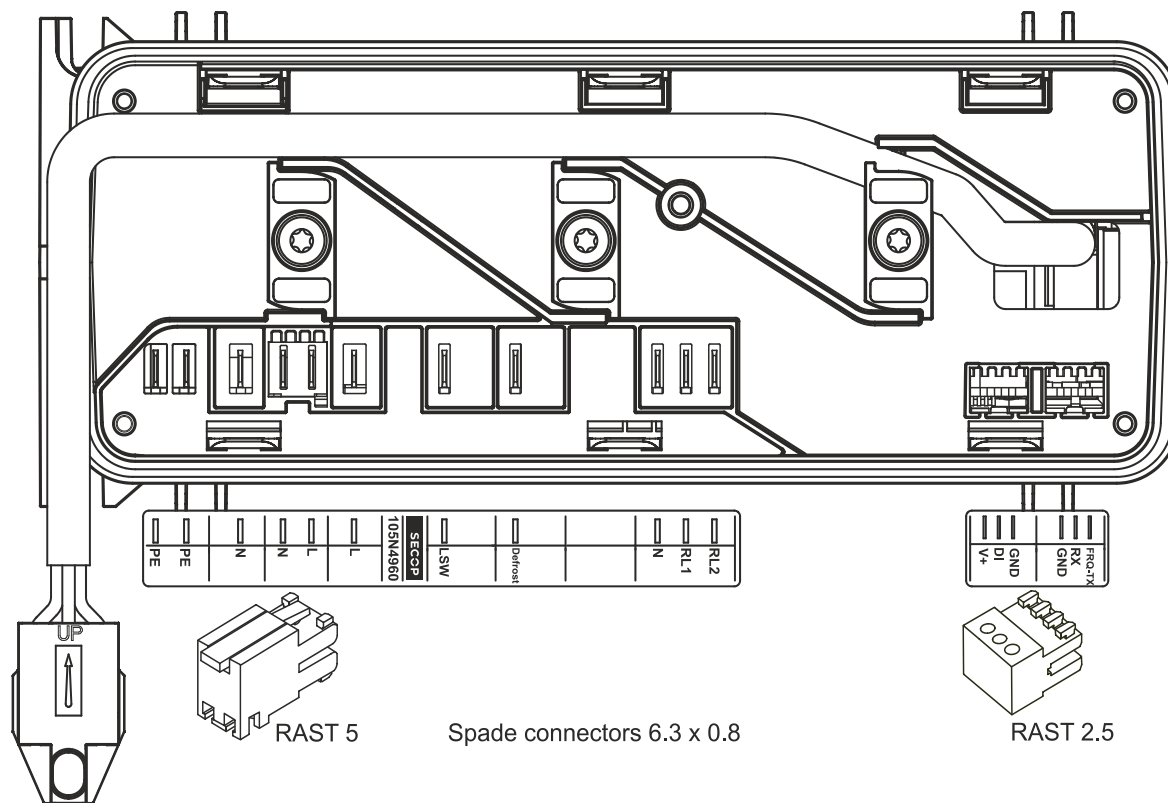


Model

Designation **NLV12.6CN** **100-240V 50/60Hz** **Conf. 3** Sales code: **105H6365**

Controller **NLV MP MV GFCI** **105N4962**

Controller connections



Accessories (Compressor + Controller) - check operation manual for details

| | | |
|----------|--------------------------------|--------|
| 103N2008 | plastic cover | 1 pcs |
| 103N9110 | plastic cover (MP of 103N2008) | 80 pcs |

Model

Designation **NLV12.6CN** **100-240V 50/60Hz** **Conf. 3** Sales code: **105H6365**

Controller **NLV MP MV GFCI** **105N4962**

Optimization + standard conditions

R290, 220V, 50Hz, Rpm_N 4500, fan 3m/s

| | Evaporating pressure (saturation temperature) | | | | Condensing pressure (saturation temperature) | | | COP | EER | Power consumption | Current consumption | | Ref. mass flow | |
|--|---|------|------|------|--|---------|----------|-------|----------|-------------------|---------------------|------|----------------|-------------|
| | pe | pc | RGT | Tliq | [W] | [Btu/h] | [kcal/h] | | | | P1 | I | | |
| | [°C] | [°C] | [°C] | [°C] | [W] | [Btu/h] | [kcal/h] | [W/W] | [Btu/Wh] | [kcal/Wh] | [W] | [A] | [kg/h] | |
| | -23 | 54 | 32 | 32 | 948,7 | 3240 | 816,5 | 1,78 | 6,07 | 1,53 | 534,1 | 2,90 | 9,61 | ASHRAE LBP |
| | -10 | 130 | 90 | 90 | | | | | | | | | | |
| | -25 | 55 | 32 | 55 | 711,3 | 2429 | 612,2 | 1,39 | 4,73 | 1,19 | 513,5 | 2,79 | 8,86 | cecomaf LBP |
| | -13 | 131 | 90 | 131 | | | | | | | | | | |
| | -35 | 40 | 20 | 40 | 543,4 | 1856 | 467,7 | 1,51 | 5,16 | 1,30 | 359,9 | 1,96 | 6,21 | EN12900 LBP |
| | -31 | 104 | 68 | 104 | | | | | | | | | | |
| | -7 | 54 | 35 | 46 | 1677,8 | 5730 | 1443,9 | 2,18 | 7,46 | 1,88 | 768,0 | 4,17 | 19,14 | ASHRAE MBP |
| | 20 | 130 | 95 | 115 | | | | | | | | | | |
| | -10 | 55 | 32 | 55 | 1335,8 | 4562 | 1149,6 | 1,84 | 6,30 | 1,59 | 724,1 | 3,94 | 16,90 | cecomaf MBP |
| | 14 | 131 | 90 | 131 | | | | | | | | | | |
| | -10 | 45 | 20 | 45 | 1501,8 | 5129 | 1292,5 | 2,30 | 7,84 | 1,98 | 654,2 | 3,56 | 18,44 | EN12900 MBP |
| | 14 | 113 | 68 | 113 | | | | | | | | | | |

Standard conditions with different RPM

R290, 220V, 50Hz, fan 3m/s



| Test conditions: | pe [°C] | pc [°C] | Tliq [°C] | Tsuc [°C] |
|------------------|---------|---------|-----------|-----------|
| ASHRAE LBP | -23,33 | 54,44 | 32,22 | 32,22 |
| cecomaf LBP | -25 | 55 | 55 | 32 |
| EN12900 LBP | -35 | 40 | 40 | 20 |

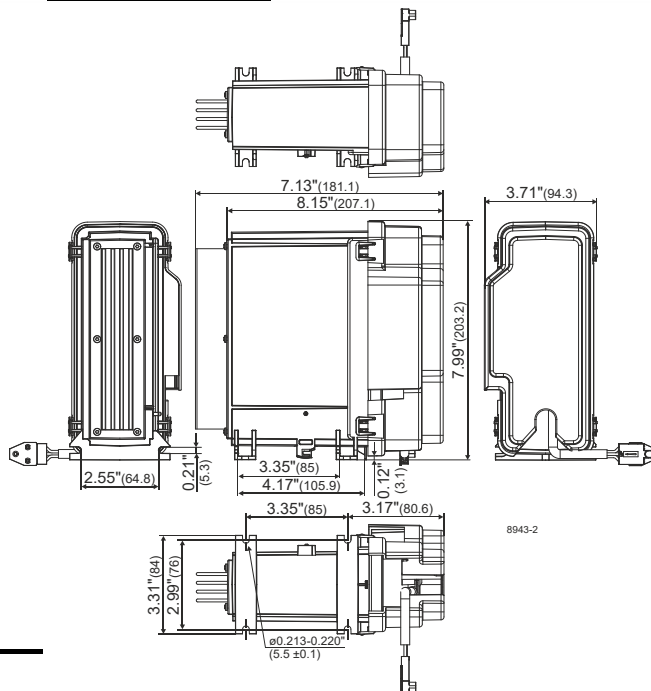
| Test conditions: | pe [°C] | pc [°C] | Tliq [°C] | Tsuc [°C] |
|------------------|---------|---------|-----------|-----------|
| ASHRAE MBP | -6,66 | 54,44 | 46,11 | 35 |
| cecomaf MBP | -10 | 55 | 55 | 32 |
| EN12900 MBP | -10 | 45 | 45 | 20 |

Model

| | | | | | |
|-------------------|------------------|------------------------------|----------------|-------------|-----------------|
| Designation | NLV12.6CN | 100-240V 50/60Hz1~ AC | Conf. 4 | Sales code: | 105H6365 |
| Controller | NLV XT MV | | | | 105N4866 |

| | |
|------------------------------|-------------------------------|
| Sales code single: | 105N4866 (1 units) |
| Sales code industry pack: | 105N4867 (8 units) |
| Adaption to compressor: | detached |
| Protection class: | IP43 |
| Weight: | 1.5 kg / 3.3 lbs |
| Voltage nom. | 100-240V 50/60Hz1~ AC |
| Voltage range | 90-150/180-270 V |
| Max, current: | 4,2 A (230 V) / 8,4 A (115 V) |
| LRA (Locked Rotor Amperage): | 1,2 A |
| Cable length: | 630 mm |
| Compressor speed range: | 2000-4500 rpm |
| Housing plastic: | UL94-5VA |

Controller dimensions:



QR Code and Hyperlink leads to the [Operating Instructions.](#)

Operation Limits

Suctiongas temperature < +20°C (continuous operation)

System cooling

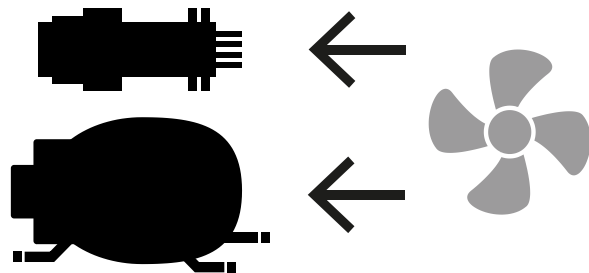
Ambient/ machineroom temperatures minimum /maximum

| | |
|--|------------------------|
| Ambient temperature range: | 10 - 43°C / 50 - 110°F |
| Machine room temperature range compressor: | 10 - 48°C / 50 - 119°F |
| Machine room temperature range controller: | 10 - 50°C / 50 - 122°F |

Compressor and Controller Cooling: Fan cooling 3m/s

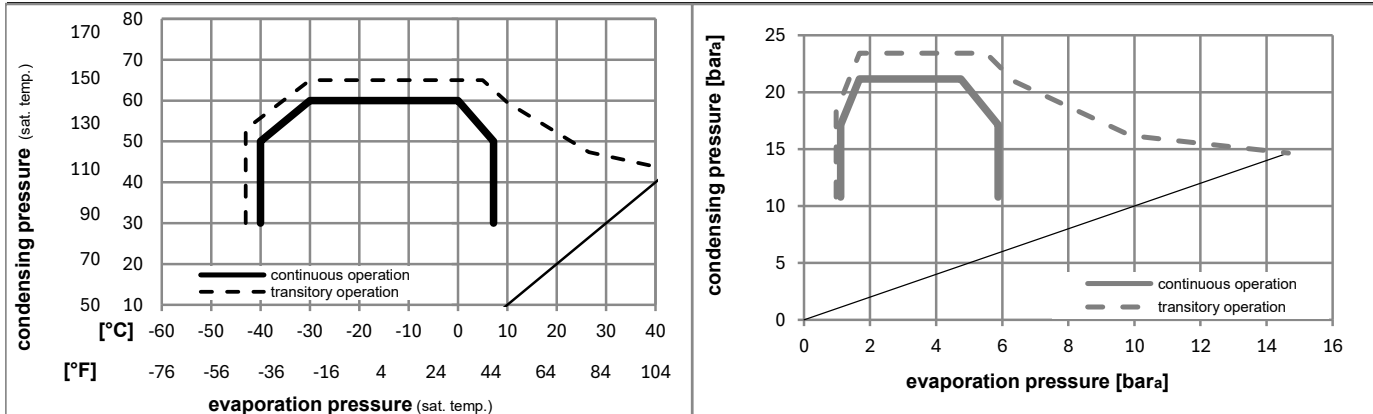
Ensure proper airflow of 3 m/s at both compressor and electronic units.

The airflow for the electronics must be directed to the heat sink.



Operation pressure range

R290



Model

| | | | | | |
|-------------|------------------|------------------------------|----------------|-------------|-----------------|
| Designation | NLV12.6CN | 100-240V 50/60Hz1~ AC | Conf. 4 | Sales code: | 105H6365 |
|-------------|------------------|------------------------------|----------------|-------------|-----------------|

| | | | | | |
|------------|------------------|--|--|--|-----------------|
| Controller | NLV XT MV | | | | 105N4866 |
|------------|------------------|--|--|--|-----------------|

Controller connections



Accessories (Compressor + Controller) - check operation manual for details

| | | |
|----------|--------------------------------|--------|
| 103N2008 | plastic cover | 1 pcs |
| 103N9110 | plastic cover (MP of 103N2008) | 80 pcs |

Model

| | | | | | |
|-------------|------------------|------------------------------|----------------|-------------|-----------------|
| Designation | NLV12.6CN | 100-240V 50/60Hz1~ AC | Conf. 4 | Sales code: | 105H6365 |
| Controller | NLV XT MV | | | | 105N4866 |

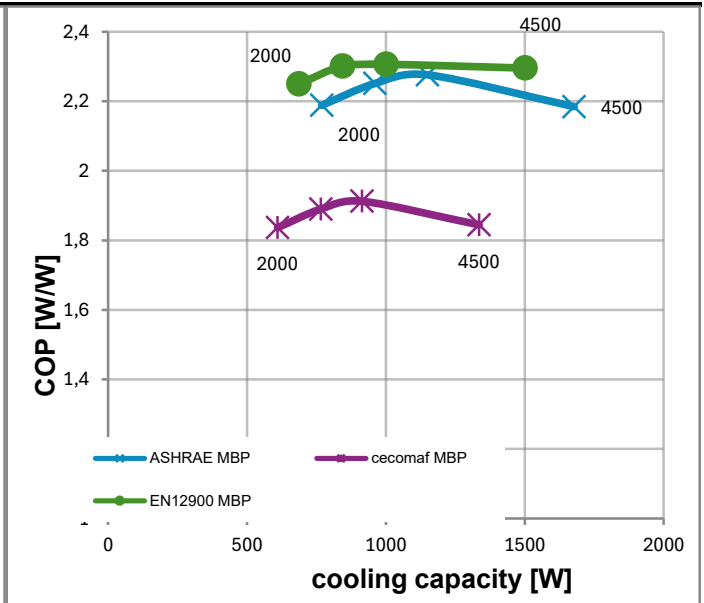
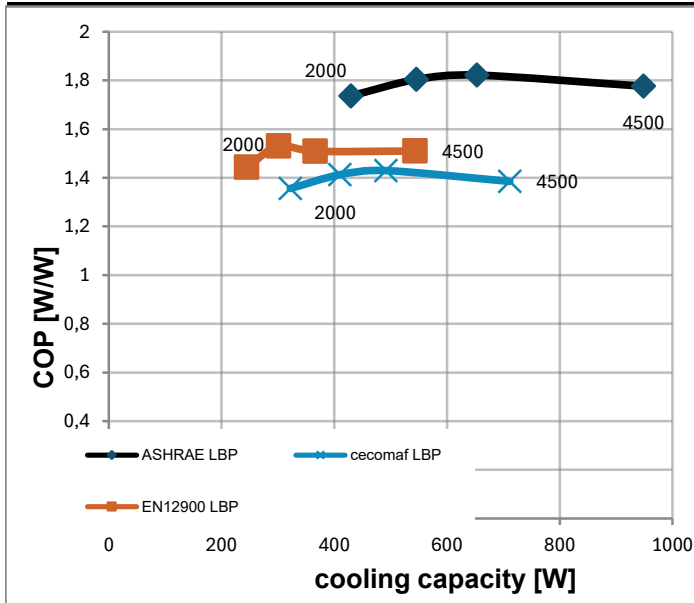
Optimization + standard conditions

R290, 220V, 50Hz, Rpm_N 4500, fan 3m/s

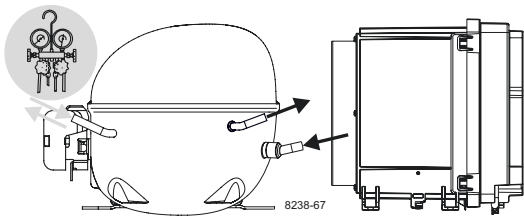
| | Evaporating pressure (saturation temperature) | | | | Condensing pressure (saturation temperature) | | | COP | EER | Cooling capacity | Power consumption | | | |
|--|---|------|------|------|--|---------|----------|-------|----------|------------------|-------------------|------|----------------|-------------|
| | pe | pc | RGT | Tliq | [W] | [Btu/h] | [kcal/h] | | | | P1 | I | Ref. mass flow | |
| | [°C] | [°F] | [°C] | [°F] | [W] | [Btu/h] | [kcal/h] | [W/W] | [Btu/Wh] | [kcal/Wh] | [W] | [A] | [kg/h] | |
| | -23 | 54 | 32 | 32 | 948,7 | 3240 | 816,5 | 1,78 | 6,07 | 1,53 | 534,1 | 2,90 | 9,61 | ASHRAE LBP |
| | -10 | 130 | 90 | 90 | | | | | | | | | | |
| | -25 | 55 | 32 | 55 | 711,3 | 2429 | 612,2 | 1,39 | 4,73 | 1,19 | 513,5 | 2,79 | 8,86 | cecomaf LBP |
| | -13 | 131 | 90 | 131 | | | | | | | | | | |
| | -35 | 40 | 20 | 40 | 543,4 | 1856 | 467,7 | 1,51 | 5,16 | 1,30 | 359,9 | 1,96 | 6,21 | EN12900 LBP |
| | -31 | 104 | 68 | 104 | | | | | | | | | | |
| | -7 | 54 | 35 | 46 | 1677,8 | 5730 | 1443,9 | 2,18 | 7,46 | 1,88 | 768,0 | 4,17 | 19,14 | ASHRAE MBP |
| | 20 | 130 | 95 | 115 | | | | | | | | | | |
| | -10 | 55 | 32 | 55 | 1335,8 | 4562 | 1149,6 | 1,84 | 6,30 | 1,59 | 724,1 | 3,94 | 16,90 | cecomaf MBP |
| | 14 | 131 | 90 | 131 | | | | | | | | | | |
| | -10 | 45 | 20 | 45 | 1501,8 | 5129 | 1292,5 | 2,30 | 7,84 | 1,98 | 654,2 | 3,56 | 18,44 | EN12900 MBP |
| | 14 | 113 | 68 | 113 | | | | | | | | | | |

Standard conditions with different RPM

R290, 220V, 50Hz, fan 3m/s



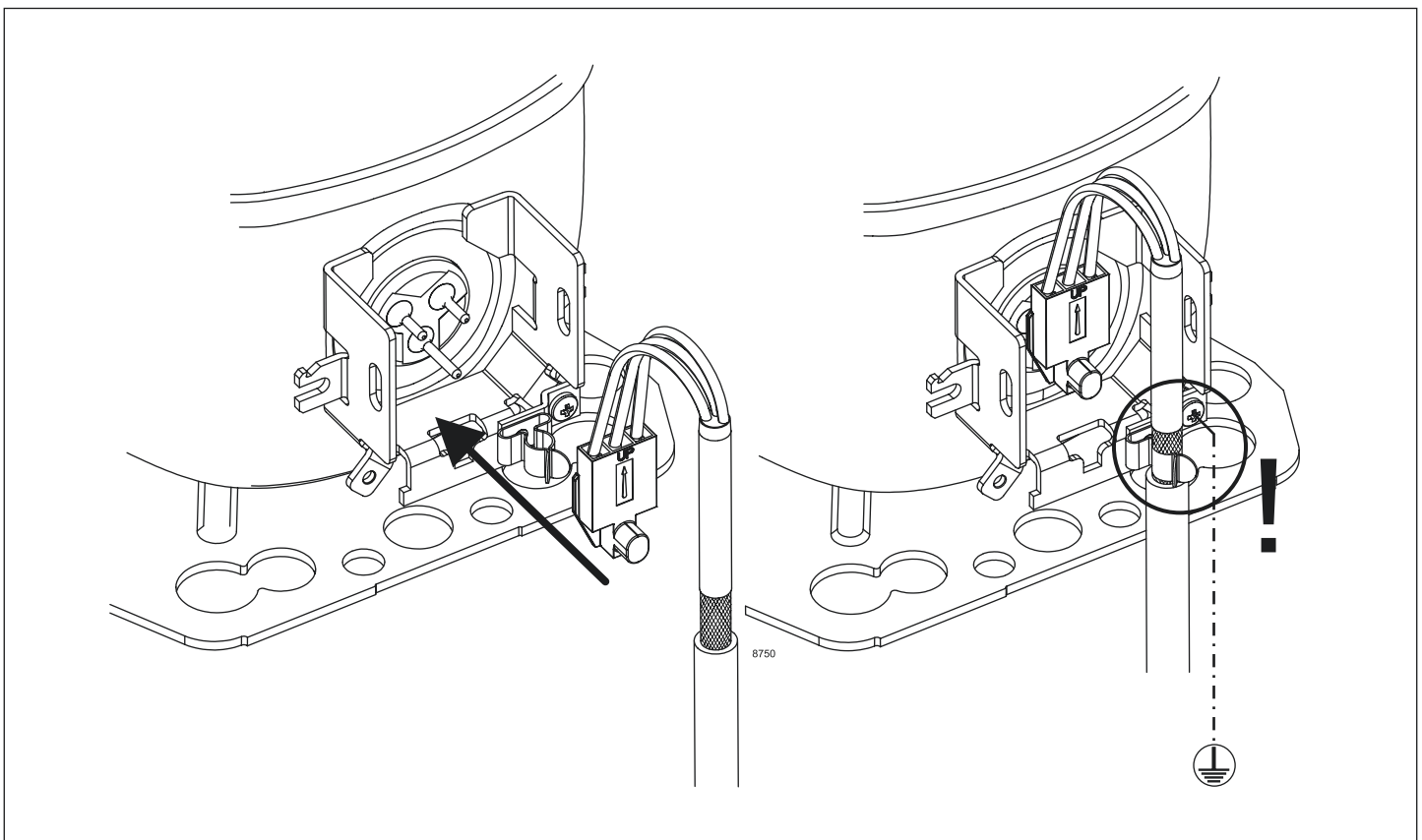
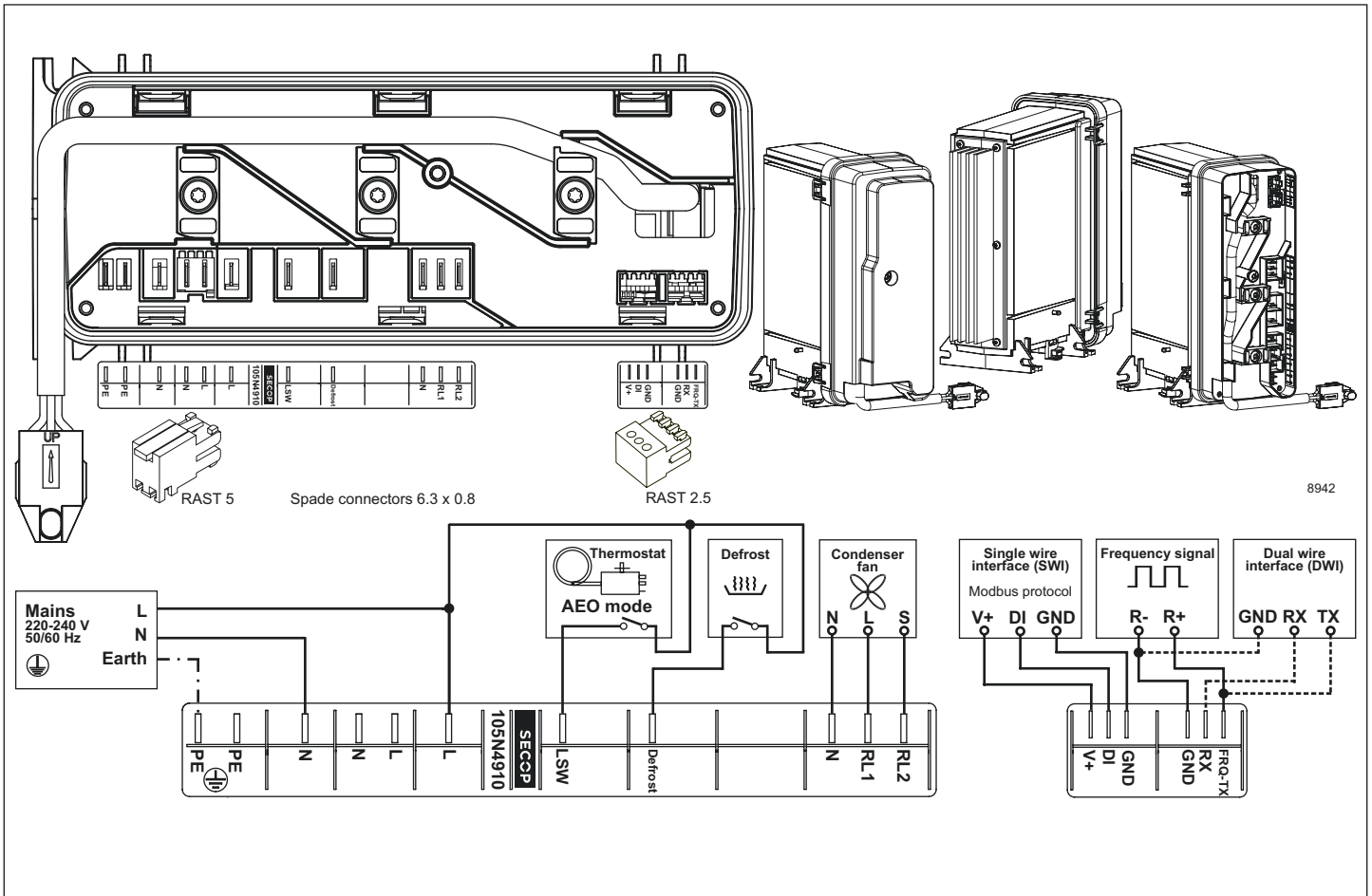
| Test conditions: | pe [°C] | pc [°C] | Tliq [°C] | Tsuc [°C] | pe [°C] | pc [°C] | Tliq [°C] | Tsuc [°C] | |
|------------------|---------|---------|-----------|-----------|-------------|---------|-----------|-----------|----|
| ASHRAE LBP | -23,33 | 54,44 | 32,22 | 32,22 | ASHRAE MBP | -6,66 | 54,44 | 46,11 | 35 |
| cecomaf LBP | -25 | 55 | 55 | 32 | cecomaf MBP | -10 | 55 | 55 | 32 |
| EN12900 LBP | -35 | 40 | 40 | 20 | EN12900 MBP | -10 | 45 | 45 | 20 |



Instructions

NLV Compressors
220-240V 50/60Hz
105N491x Series
Controllers

SECCP





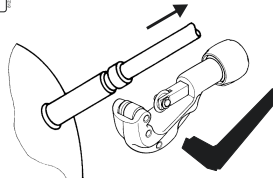
Instructions

NLV Compressors
220-240V 50/60Hz
105N491x Series
Controllers

SECCP

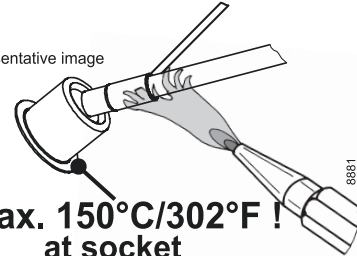


Service/Repair R290



Brazing on Suction Connectors (Direct Intake)

representative image

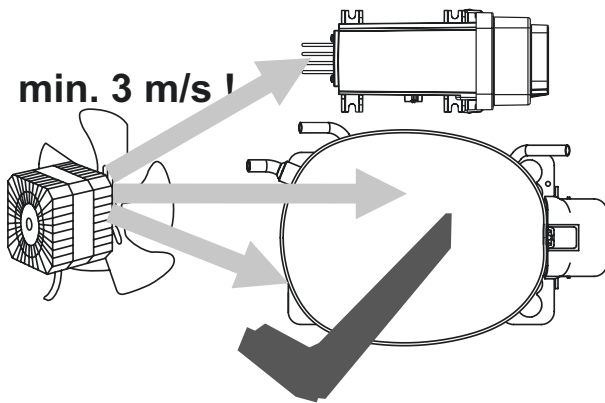


**! max. 150°C/302°F!
at socket**

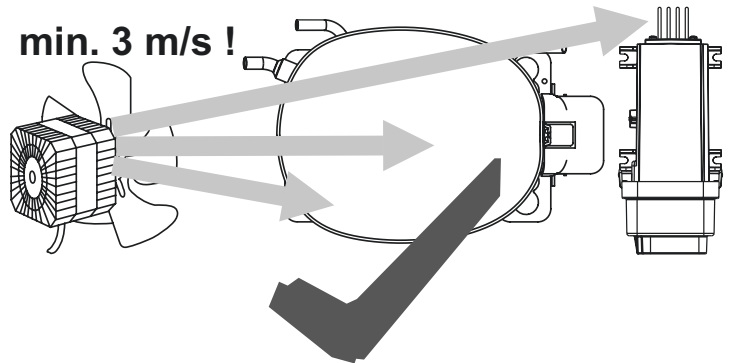
brazing solder: phosphor (LP7) or silver

Refer to Product Bulletin: **Brazing on Suction Connectors
(Compressors with Direct Suction Intake)**

min. 3 m/s !



min. 3 m/s !



8938

| | |
|-----------------------------|---|
| Airflow | 3 m/s |
| Operating conditions | + 5 °C to 43 °C - humidity < 90 % rH non condensing |
| Storage conditions | -25 °C to 70 °C - humidity < 90 % rH non condensing |
| Supply voltage | 220-240 V (± 10 %) |
| Frequency | 50/60 Hz |
| Input power, max. | 1000 W |

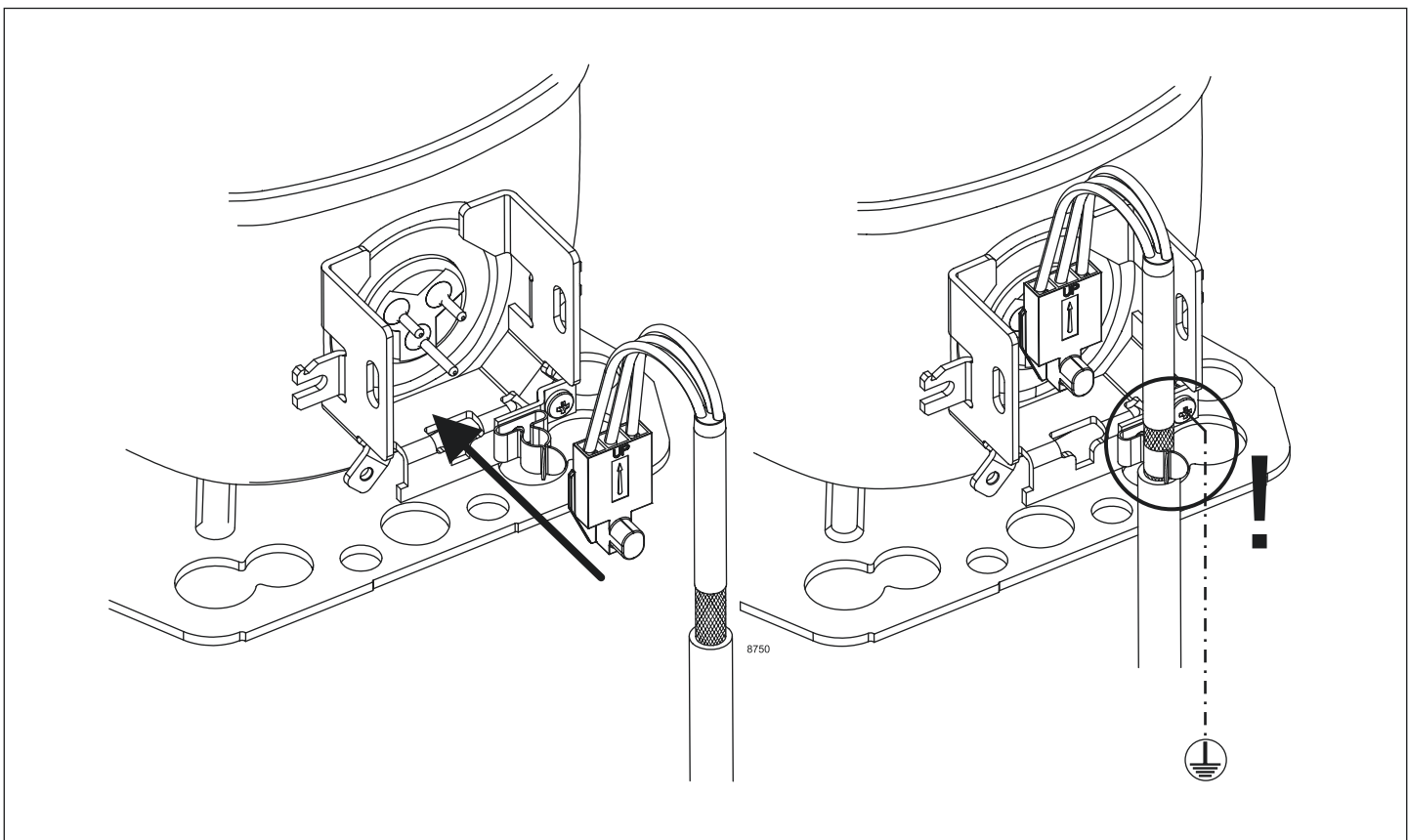
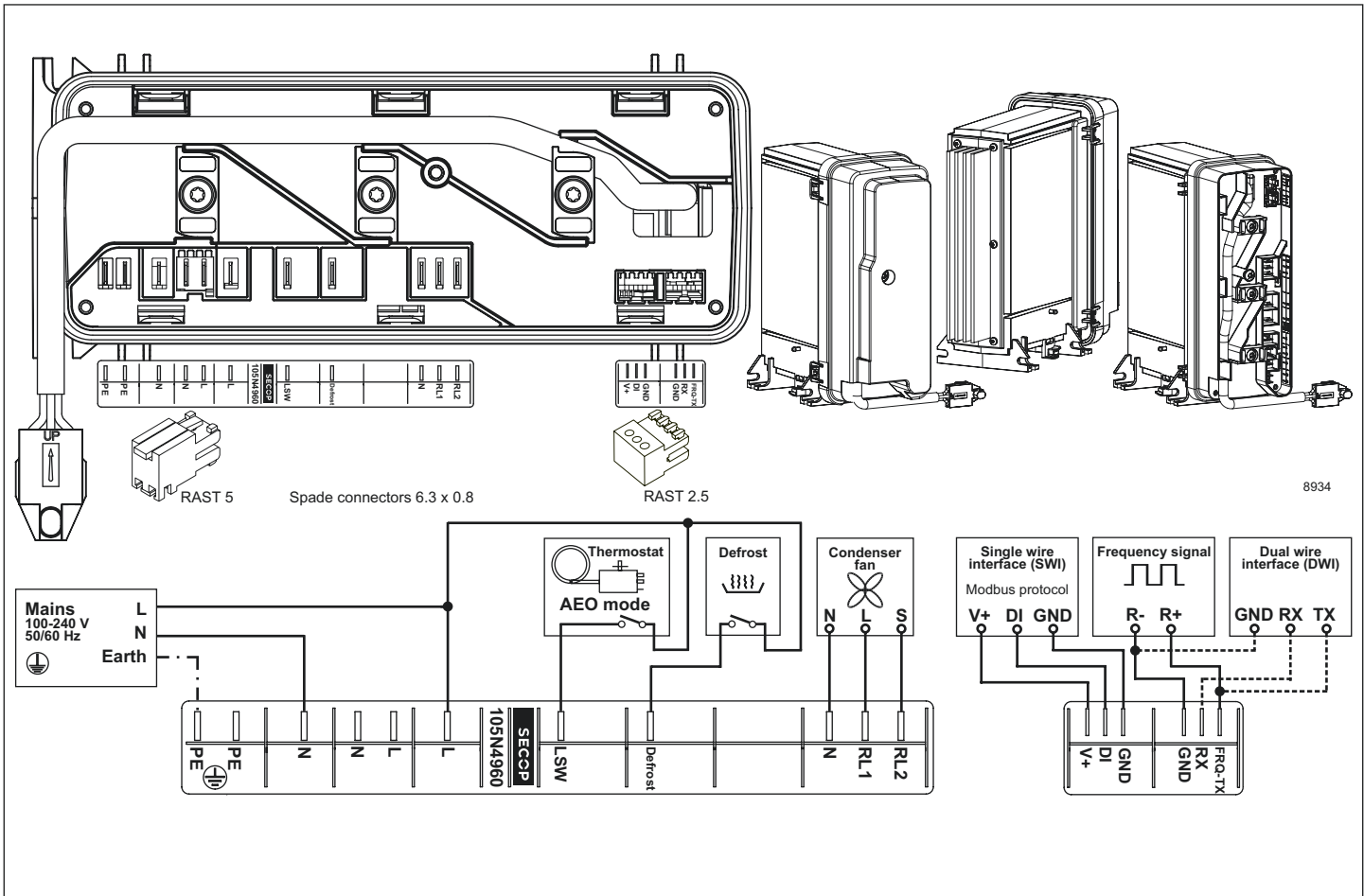
Secop accepts no responsibility for possible errors in catalogs, brochures, and other printed material. Secop reserves the right to alter its products without notice. This also applies to products already on order provided that such alterations can be made without subsequent changes being necessary to specifications already agreed. All trademarks in this material are the property of the respective companies. Secop and the Secop logotype are trademarks of Secop GmbH. All rights reserved. www.secop.com



Instructions

NLV Compressors
100-240V 50/60Hz
105N496x Series
Controllers

SECCP





Instructions

NLV Compressors
100-240V 50/60Hz
105N496x Series
Controllers

SECCP



Service/Repair R290



Brazing on Suction Connectors (Direct Intake)

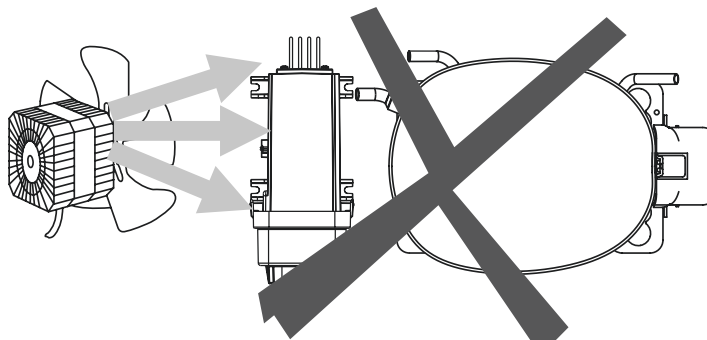
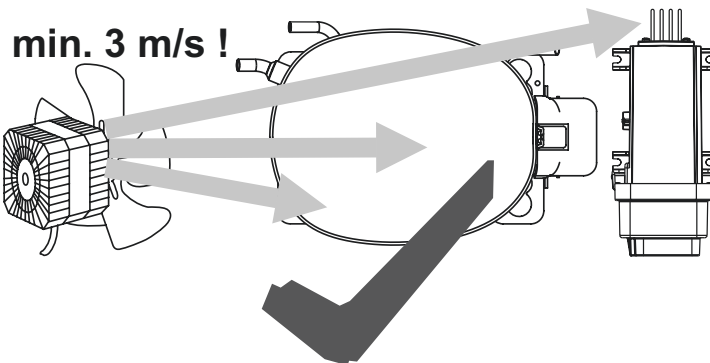
representative image



**! max. 150°C/302°F!
at socket**

brazing solder: phosphor (LP7) or silver

Refer to Product Bulletin: **Brazing on Suction Connectors
(Compressors with Direct Suction Intake)**



8938

| | |
|-----------------------------|---|
| Airflow | 3 m/s |
| Operating conditions | + 5 °C to 43 °C - humidity < 90 % rH non condensing |
| Storage conditions | -25 °C to 70 °C - humidity < 90 % rH non condensing |
| Supply voltage | 100-240 V (± 10 %) |
| Frequency | 50/60 Hz |
| Input power, max. | 1000 W |

Secop accepts no responsibility for possible errors in catalogs, brochures, and other printed material. Secop reserves the right to alter its products without notice. This also applies to products already on order provided that such alterations can be made without subsequent changes being necessary to specifications already agreed. All trademarks in this material are the property of the respective companies. Secop and the Secop logotype are trademarks of Secop GmbH. All rights reserved. www.secop.com



Instructions

NLV Compressors
100-240V 50/60Hz
105N486x Series
Controllers

SECCP



| | | | |
|----------------|--------|----------------|--------|
| Mains | red | S1 | red |
| RL 1 | blue | S2 | blue |
| RL 2 | yellow | S3 | black |
| RL 3 | black | S4 | yellow |
| RL 4, 5 | grey | AIO | brown |
| RL 6, 7 | brown | DIO1 | grey |
| RL 8 | green | DIO2 | pink |
| | | Display | green |





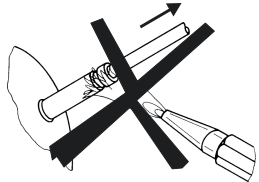
Instructions

NLV Compressors
100-240V 50/60Hz
105N486x Series
Controllers

SECCP



Service/Repair R290



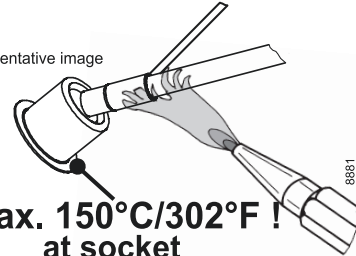
!



8545

Brazing on Suction Connectors (Direct Intake)

representative image

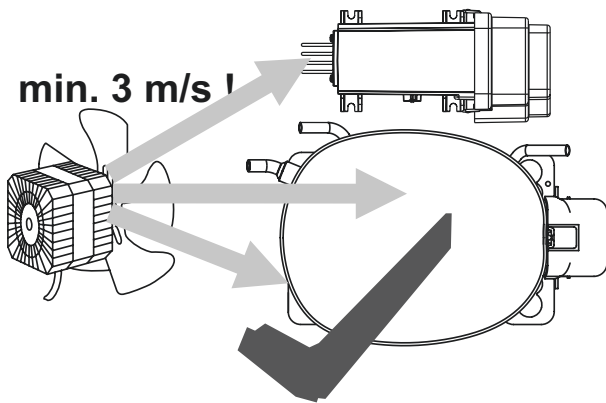


**! max. 150°C/302°F!
at socket**

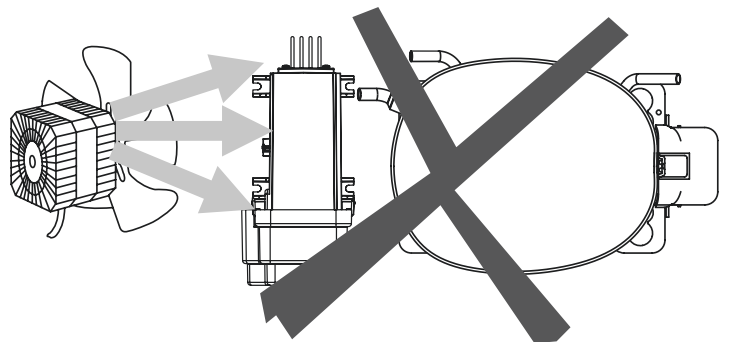
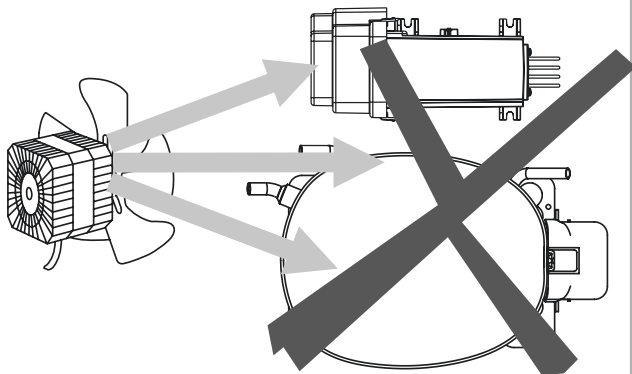
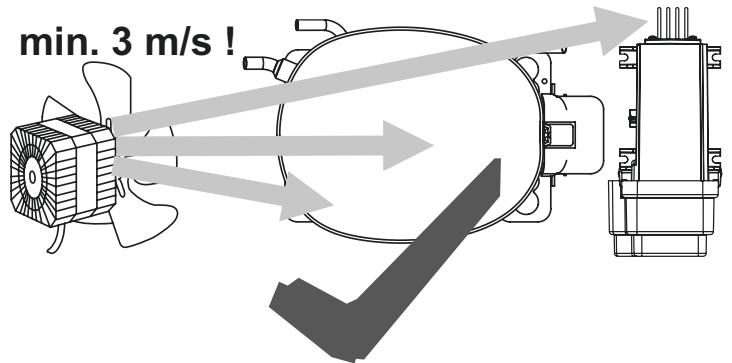
brazing solder: phosphor (LP7) or silver

Refer to Product Bulletin: **Brazing on Suction Connectors
(Compressors with Direct Suction Intake)**

min. 3 m/s !



min. 3 m/s!



8939

| | |
|-----------------------------|---|
| Airflow | 3 m/s |
| Operating conditions | + 5 °C to 43 °C - humidity < 90 % rH non condensing |
| Storage conditions | -25 °C to 70 °C - humidity < 90 % rH non condensing |
| Supply voltage | 100-240 V (± 10 %) |
| Frequency | 50/60 Hz |
| Input power, max. | 1000 W |

Secop accepts no responsibility for possible errors in catalogs, brochures, and other printed material. Secop reserves the right to alter its products without notice. This also applies to products already on order provided that such alterations can be made without subsequent changes being necessary to specifications already agreed. All trademarks in this material are the property of the respective companies. Secop and the Secop logotype are trademarks of Secop GmbH. All rights reserved. www.secop.com