

## Single Pack GS34CLX 220-240V 50Hz CSCR

Single pack code number: **195B4629**

Position	Title	Code	Amount
1	Compressor GS34CLX	107B0501	1
2	GS starting device (600mm)	117-7074	1
3	Bolt joint for one compressor   M8   ø19mm	107B9150	1

**Secop GmbH** • Lise-Meitner-Straße 29 • 24941 Flensburg, Germany • Tel: +49 461 4941 0 • [www.secop.com](http://www.secop.com)

Secop accepts no responsibility for possible errors in catalogs, brochures, and other printed material. Secop reserves the right to alter its products without notice. This also applies to products already on order provided that such alterations can be made without subsequent changes being necessary to specifications already agreed. All trademarks in this material are the property of the respective companies. Secop and the Secop logotype are trademarks of Secop GmbH. All rights reserved.

## Model

Designation	<b>GS34CLX</b>	<b>220-240V/50Hz 1~</b>	Sales code:	<b>107B0501</b>
-------------	----------------	-------------------------	-------------	-----------------

## Compressor design

Oil type	Polyolester	Refrigerant(s)	<b>R404A, R452A, R507</b>
Oil viscosity	46cST	Displacement	33,8cm <sup>3</sup> / 2,06cu.in
Oil quantity	906cm <sup>3</sup> / 30,6fl.oz	Compressors on pallet	48
Refr. charge - tech. limit	2000g / 70,5oz		
Free gas volume comp.	3350cm <sup>3</sup> / 113,3fl.oz		
Weight	20kg / 44,1lbs		
Motor protection	1# internal		
Winding resistance main	1,6Ω (at 25°C)		
Winding resistance aux	6,7Ω (at 25°C)		
Max. winding temp.			
Max. discharge temp.	130°C / 266°F		



## General - Configurations with GS34CLX

	<b>Conf. 1</b>	<b>Conf. 2</b>
Motorconfiguration	CSCR	CSCR
Power supply (nominal)	220-240V/50Hz	220-240V/50Hz
Number of phases	1	1
Voltage range	198-254V	198-254V
Approvals	VDE, CCC, EAC	VDE, CCC, EAC
Starting torque	HST	HST
Note	Cover, clamp, gasket: pre-assembled to compressor.	

## Applications with GS34CLX

	<b>Conf. 1</b>	<b>Conf. 2</b>
Refrigerant	R404A	R452A
Application	LBP	LBP
System cooling	fan 3m/s	fan 3m/s
Hot gas defrost	OK	OK
Long interval pull down	OK	OK

## Electrical data - Configurations with GS34CLX

	<b>Conf. 1</b>	<b>Conf. 2</b>
Starting device type	relay	relay
Run capacitor	15μF	15μF
Start capacitor	100μF	100μF
LRA (locked rotor amps / 4s)	40A	40A
RLA (rated load amps / 1s)	5,6A	5,6A
Cut in current	40A	40A

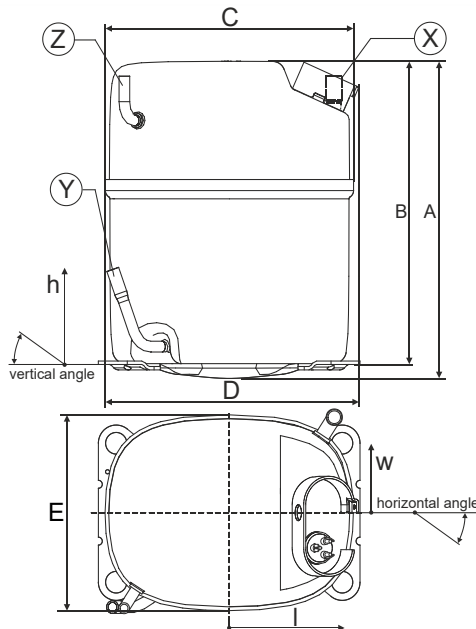
## Model

Designation **GS34CLX** 220-240V/50Hz 1~ Sales code: **107B0501**

## Compressor dimensions

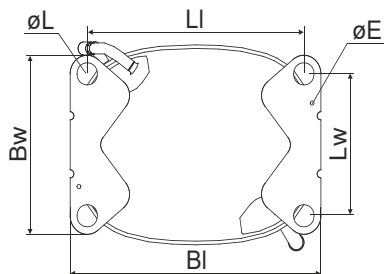
<b>Housing</b>	A Height	279mm / 10,98in
	B Height	267mm / 10,51in
	C Length shell	224mm / 8,82in
	D Length w. cover	232mm / 9,13in
	E Width	173mm / 6,81in

Connectors		Suction	Discharge	Process
		X	Y	Z
Diameter	[mm]	øi 12,75-13,05	øi 8,15-8,25	øi 6,4-6,6
	(i:inside, o:outside) [in]	øi 0,5-0,51	øi 0,32-0,32	øi 0,25-0,26
Material		copper	copper	copper
Horizontal angle	±2°	0°	0°	0°
Vertical angle	±2°	90°	71°	90°
Position l/h/w	[mm]	-95/234/-84	-105/84/-84	95/234/84
	[in]	-3,7/9,2/-3,3	-4,1/3,3/-3,3	3,7/9,2/3,3
Straight tube l.	[mm]	18	23	15
	[in]	0,7	0,9	0,6

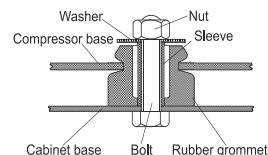


## Compressor fixation

### Bolt joint



Baseplate	[mm]	[inch]
BI	235	9.25
Bw	154	6.06
øE	ø 3.6	ø 0.14
Large holes	[mm]	[inch]
LI	203	7.99
Lw	122	4.80
øL	ø 19	ø 0.75



## Mounting accessories

Bolt joint | M8 | ø19mm one comp. 107B9150

## Application notes

Provision for PE Grounding is located at the PE Stamp on the compressor

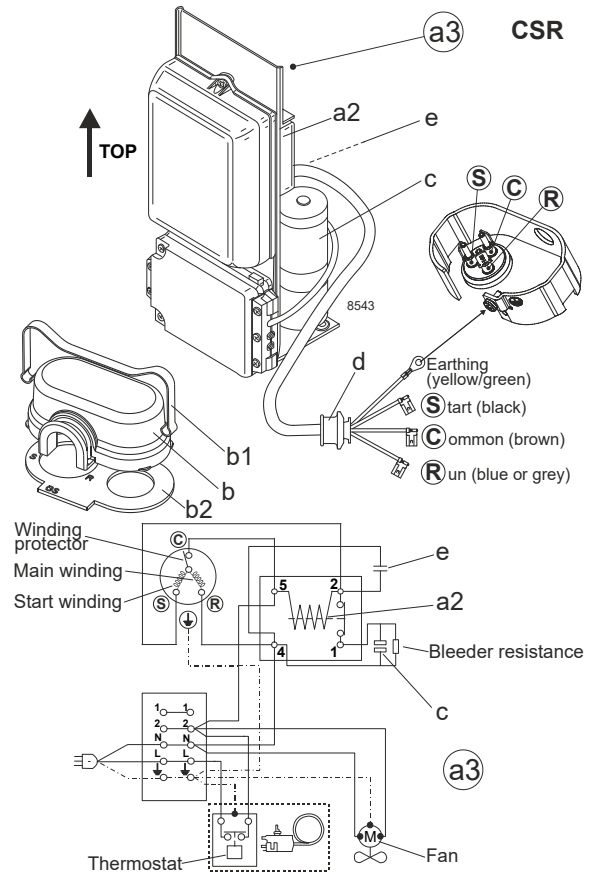
## Model

Designation	<b>GS34CLX</b>	<b>220-240V/50Hz</b>	Conf. 1	Sales code:	<b>107B0501</b>
-------------	----------------	----------------------	---------	-------------	-----------------

## Configuration

Motorconfiguration	CSCR
Power supply (nominal)	220-240V/50Hz 1~
Refrigerant	R404A
Application	LBP
Voltage range	198-254V
Starting torque	HST
Approvals	VDE
	CCC
	EAC

## Electrical accessories / wiring diagram



## Ambient/ machine room temperatures minimum /maximum

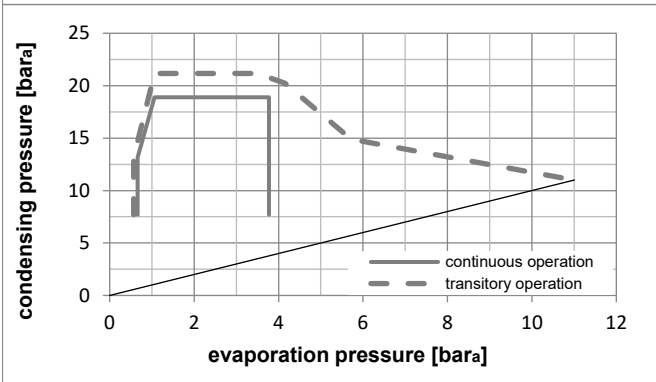
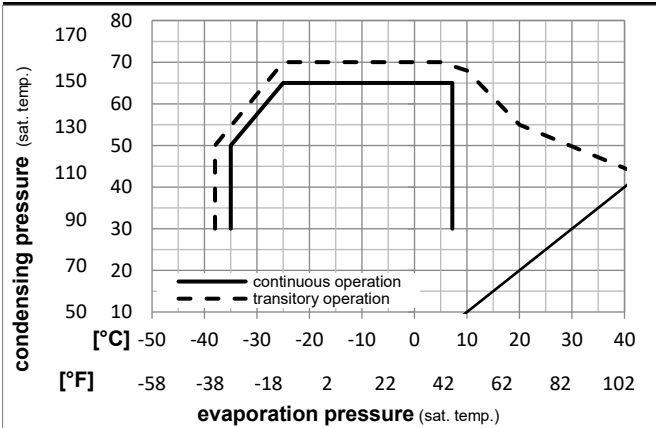
Ambient temperature range: 10 - 38°C / 50 - 101°F

Machine room temperature range: 10 - 43°C / 50 - 110°F

Compressor cooling: fan 3m/s

## Operation Limits

### Operation pressure range



### Components (cover, clamp, gasket: pre assembled)

a3	GS starter kit	117-7074
b	cover	107B9101
b2	gasket	107B9100
b1	clamp	107B9104

## Model

Designation **GS34CLX** **220-240V/50Hz** Conf. 1 Sales code: **107B0501**

## Optimization + standard conditions

R404A, 220V/50Hz, CSCR, fan 3m/s, VDE, CCC, EAC

	Evaporating pressure (saturation temperature)				Condensing pressure (saturation temperature)			COP	EER	P1	Power consumption		Ref. mass flow m	
	pe	pc	RGT	Tliq	[W]	[Btu/h]	[kcal/h]				[W]	[A]		
[°C]	-23	54	32	32	1912,6	6532	1646,0	1,44	4,93	1,24	1323,9	6,83	44,56	ASHRAE LBP
[°F]	-10	130	90	90										
[°C]	-25	55	32	55	1295,8	4425	1115,2	1,03	3,51	0,88	1262,1	6,58	40,50	cecomaf LBP
[°F]	-13	131	90	131										
[°C]	-35	40	20	40	1003,5	3427	863,6	1,09	3,71	0,93	924,5	4,93	27,27	EN12900 LBP
[°F]	-31	104	68	104										
[°C]	-23	49	4,4	49	1412,2	4823	1215,4	1,08	3,69	0,93	1306,7	6,57	50,00	ARI540 LBP
[°F]	-10	120	40	120										
[°C]	-23	41	32	32	2120,8	7243	1825,2	1,70	5,79	1,46	1250,5	6,29	49,42	AHAM LBP
[°F]	-10	105	90	90										
[°C]	-35	45	32	45	935,7	3195	805,2	1,01	3,43	0,86	930,9	4,92	25,01	opt
[°F]	-31	113	90	113										

## Performance tables

R404A, 220V/50Hz, CSCR, fan 3m/s, VDE, CCC, EAC

	pe		Cooling capacity			COP	EER		P1	I	m
	[°C]	[°F]	[W]	[Btu/h]	[kcal/h]	[W/W]	[Btu/Wh]	[kcal/Wh]	[W]	[A]	[kg/h]
[°C / °F]	-45	-49	437,8	1495	376,7	0,71	2,42	0,61	618,4	3,91	11,63
cond. pressure	-35	-31	935,7	3195	805,2	1,01	3,43	0,86	930,9	4,92	25,01
pc= 45/113	-30	-22	1257,0	4293	1081,8	1,16	3,98	1,00	1079,3	5,52	33,74
return gas temp.	-25	-13	1636,5	5589	1408,4	1,33	4,54	1,14	1231,5	6,19	44,14
RGT= 32/90	-20	-4	2081,9	7110	1791,7	1,49	5,10	1,28	1394,4	6,92	56,48
liquid temp	-15	5	2601,0	8883	2238,4	1,65	5,64	1,42	1574,8	7,72	71,05
Tliq= 45/113	-5	23	3893,8	13298	3351,0	1,93	6,60	1,66	2015,7	9,51	108,25
[°C / °F]	-45	-49	264,6	904	227,7	0,54	1,85	0,47	489,3	3,73	8,13
cond. pressure	-35	-31	696,3	2378	599,3	0,78	2,67	0,67	892,0	5,02	21,54
pc= 55/131	-30	-22	971,3	3317	835,9	0,90	3,08	0,78	1077,7	5,77	30,19
return gas temp	-25	-13	1295,8	4425	1115,2	1,03	3,51	0,88	1262,1	6,58	40,50
RGT= 32/90	-20	-4	1677,5	5729	1443,7	1,16	3,95	0,99	1452,0	7,45	52,78
liquid temp	-15	5	2124,6	7256	1828,5	1,28	4,39	1,11	1654,3	8,39	67,38
Tliq= 55/131	-5	23	3249,1	11096	2796,2	1,53	5,23	1,32	2123,4	10,46	105,17

## Model

Designation	<b>GS34CLX</b>	<b>220-240V/50Hz</b>	<b>Conf. 2</b>	Sales code:	<b>107B0501</b>
-------------	----------------	----------------------	----------------	-------------	-----------------

## Configuration

Motorconfiguration	CSCR
Power supply (nominal)	220-240V/50Hz 1~
Refrigerant	R452A
Application	LBP
Voltage range	198-254V
Starting torque	HST
Approvals	VDE
	CCC
	EAC

## Ambient/ machine room temperatures minimum /maximum

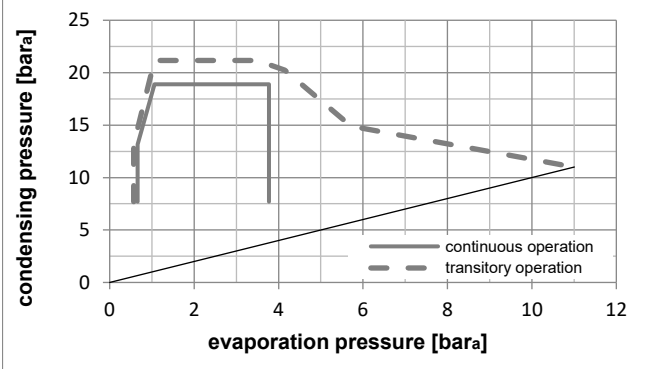
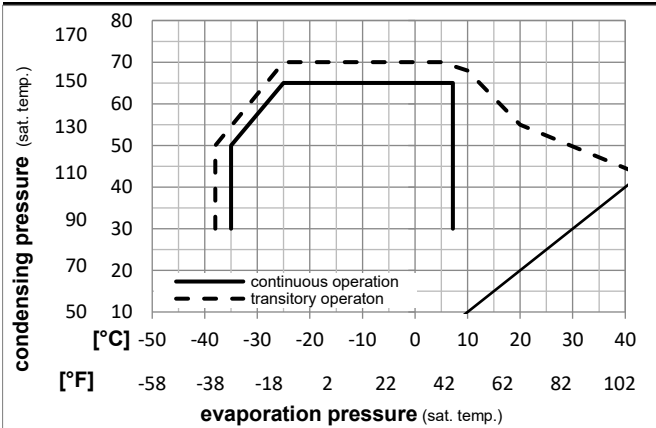
Ambient temperature range: 10 - 38°C / 50 - 101°F

Machine room temperature range: 10 - 43°C / 50 - 110°F

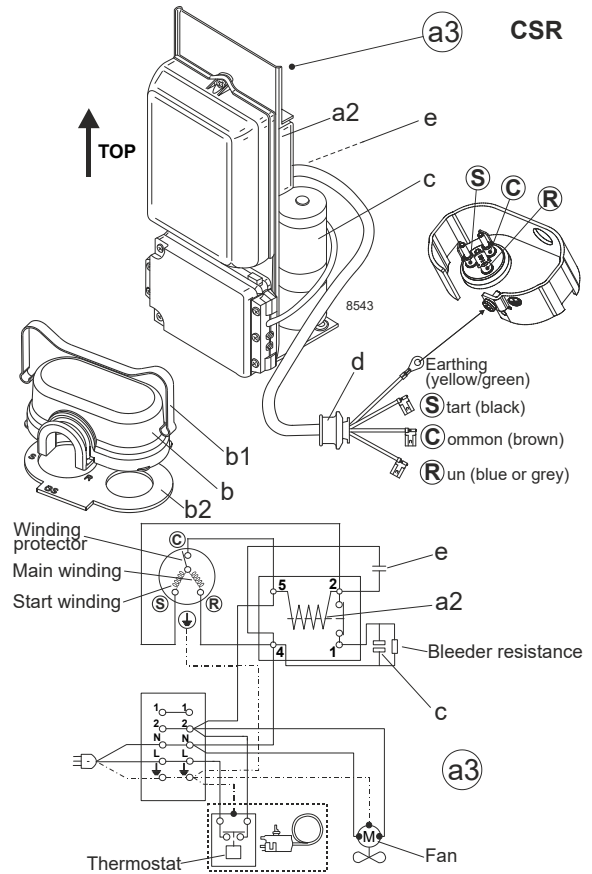
Compressor cooling: fan 3m/s

## Operation Limits

### Operation pressure range



## Electrical accessories / wiring diagram



### Components (cover, clamp, gasket: pre assembled)

a3	GS starter kit	117-7074
b	cover	107B9101
b2	gasket	107B9100
b1	clamp	107B9104

## Model

Designation	<b>GS34CLX</b>	<b>220-240V/50Hz</b>	<b>Conf. 2</b>	Sales code:	<b>107B0501</b>
-------------	----------------	----------------------	----------------	-------------	-----------------

## Optimization + standard conditions

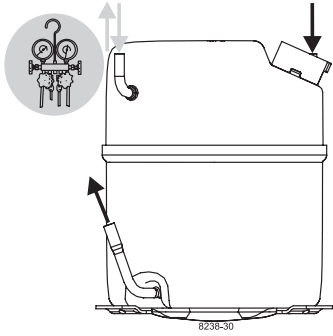
R452A, 220V/50Hz, CSCR, fan 3m/s, VDE, CCC, EAC

		Evaporating pressure (saturation temperature)				Condensing pressure (saturation temperature)						Power consumption			
		Return gas temp.		Liquid temp.		Cooling capacity		COP	EER		P1	I	Ref. mass flow		
		pe	pc	RGT	Tliq	[W]	[Btu/h]	[kcal/h]	[W/W]	[Btu/Wh]	[kcal/Wh]	[W]	[A]	[kg/h]	
[°C]	[°F]	[°C]	[°F]	[°C]	[°C]										
-23	-10	54	130	32	32	1850,2	6319	1592,3	1,51	5,15	1,30	1227,1	5,56	44,47	ASHRAE LBP
-25	-13	55	131	32	55	1257,8	4295	1082,4	1,08	3,68	0,93	1168,3	5,39	40,02	cecomaf LBP
-35	-31	40	104	20	40	933,9	3189	803,7	1,10	3,75	0,95	849,8	4,43	26,08	EN12900 LBP
-23	-10	49	120	4,4	49	1382,0	4720	1189,4	1,14	3,89	0,98	1214,2	5,52	49,68	ARI540 LBP
-23	-10	41	105	32	32	2048,0	6994	1762,6	1,76	6,00	1,51	1165,5	5,38	49,23	AHAM LBP
-35	-31	45	113	32	45	869,0	2968	747,9	1,02	3,48	0,88	852,5	4,44	23,85	opt

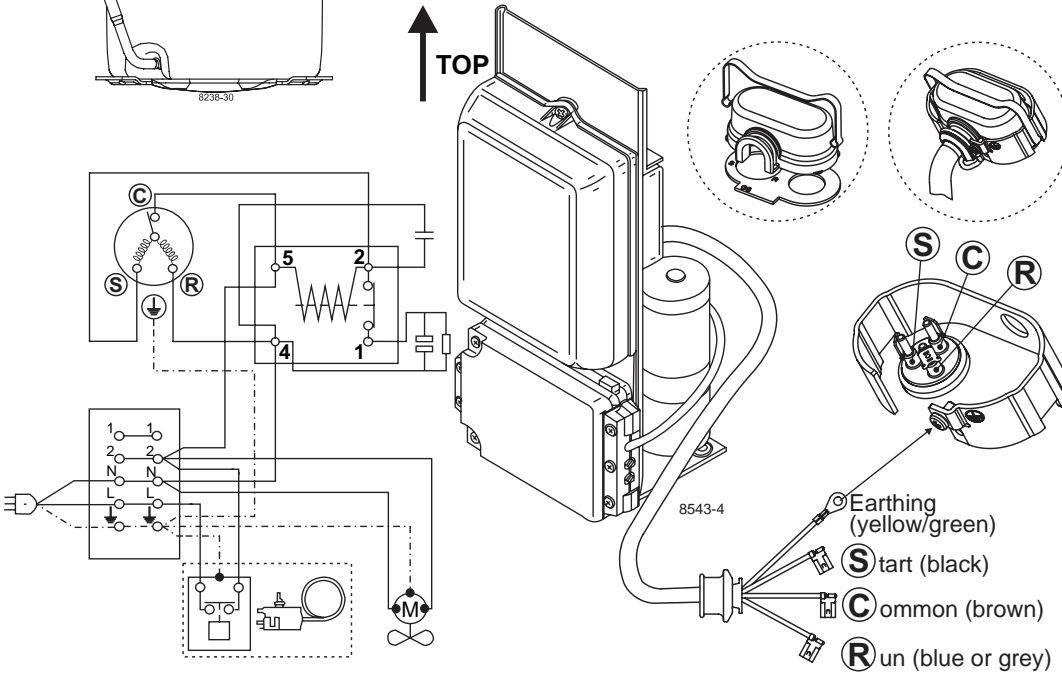
## Performance tables

R452A, 220V/50Hz, CSCR, fan 3m/s, VDE, CCC, EAC

	pe		Cooling capacity			COP	EER		P1	I	m
	[°C]	[°F]	[W]	[Btu/h]	[kcal/h]	[W/W]	[Btu/Wh]	[kcal/Wh]	[W]	[A]	[kg/h]
[°C / °F]	-45	-49	447,0	1527	384,7	0,86	2,93	0,74	520,2	3,44	12,20
cond. pressure	-35	-31	869,0	2968	747,9	1,02	3,48	0,88	852,5	4,44	23,85
pc= 45/113	-30	-22	1186,9	4053	1021,4	1,19	4,06	1,02	999,1	4,88	32,69
return gas temp.	-25	-13	1578,9	5392	1358,8	1,38	4,71	1,19	1144,9	5,32	43,68
RGT= 32/90	-20	-4	2047,4	6992	1762,0	1,58	5,38	1,36	1298,9	5,78	56,93
liquid temp	-15	5	2595,1	8863	2233,3	1,77	6,03	1,52	1470,3	6,29	72,60
Tliq= 45/113	-5	23	3940,1	13456	3390,9	2,07	7,08	1,78	1901,7	7,59	111,96
[°C / °F]	-45	-49	297,7	1017	256,2	0,75	2,56	0,64	397,5	3,07	9,33
cond. pressure	-35	-31	644,0	2199	554,2	0,79	2,71	0,68	811,6	4,32	20,31
pc= 55/131	-30	-22	916,3	3129	788,6	0,92	3,15	0,79	992,6	4,86	29,01
return gas temp	-25	-13	1257,8	4295	1082,4	1,08	3,68	0,93	1168,3	5,39	40,02
RGT= 32/90	-20	-4	1670,8	5706	1437,9	1,24	4,23	1,07	1347,9	5,92	53,48
liquid temp	-15	5	2158,1	7370	1857,3	1,40	4,78	1,21	1540,4	6,50	69,57
Tliq= 55/131	-5	23	3368,7	11505	2899,2	1,68	5,75	1,45	2001,2	7,88	110,57



# GS Compressors



	S	C	R
ENGLISH	Black	Brown	Blue or grey
DEUTSCH	Schwarz	Braun	Blau od. grau
FRANÇAIS	Noir	Marron	Bleu ou gris
ESPAÑOL	Negro	Marrón	Azul o gris
ITALIANO	Nero	Marrone	Blu o grigio
NEDERLANDS	Zwart	Bruin	Blauw of grijs
DANSK	Sort	Brun	Blå eller grå
SVENSKA	Svart	Brun	Blå eller grå
SUOMEKSI	Musta	Ruskea	Sininen tai harmaa
РУССКИЙ	Чёрный	Коричневый	Синий или серый
中文	黑色	棕色	蓝色或灰色

Secop accepts no responsibility for possible errors in catalogs, brochures, and other printed material. Secop reserves the right to alter its products without notice. This also applies to products already on order provided that such alterations can be made without consequential changes being necessary to specifications already agreed. All trademarks in this material are the property of the respective companies. Secop and the Secop logotype are trademarks of Secop GmbH. All rights reserved. [www.secop.com](http://www.secop.com)