

Single Pack GS34MFX 220-240V 50Hz CSCR

Single pack code number: **195B4634**

Position	Title	Code	Amount
1	Compressor GS34MFX	107B0701	1
2	GS starting device (600mm)	117-7056	1
3	Bolt joint for one compressor M8 ø19mm	107B9150	1

Secop GmbH • Lise-Meitner-Straße 29 • 24941 Flensburg, Germany • Tel: +49 461 4941 0 • www.secop.com

Secop accepts no responsibility for possible errors in catalogs, brochures, and other printed material. Secop reserves the right to alter its products without notice. This also applies to products already on order provided that such alterations can be made without subsequent changes being necessary to specifications already agreed. All trademarks in this material are the property of the respective companies. Secop and the Secop logotype are trademarks of Secop GmbH. All rights reserved.

Model

Designation	GS34MFX	220-240V/50Hz 1~	Sales code:	107B0701
-------------	----------------	------------------	-------------	-----------------

Compressor design

Oil type	Polyolester	Refrigerant(s)	R134a, R513A
Oil viscosity	32,5cST	Displacement	33,8cm ³ / 2,06cu.in
Oil quantity	902cm ³ / 30,5fl.oz	Compressors on pallet	48
Refr. charge - tech. limit	2000g / 70,5oz		
Free gas volume comp.	3350cm ³ / 113,3fl.oz		
Weight	20kg / 44,1lbs		
Motor protection	1# internal		
Winding resistance main	2,9Ω (at 25°C)		
Winding resistance aux	5Ω (at 25°C)		
Max. winding temp.	135°C / 275°F		
Max. discharge temp.	130°C / 266°F		



General - Configurations with GS34MFX

	Conf. 1	Conf. 2
Motorconfiguration	CSCR	CSCR
Power supply (nominal)	220-240V/50Hz	220-240V/50Hz
Number of phases	1	1
Voltage range	198-254V	198-254V
Approvals	VDE	VDE
Starting torque	HST	HST
Note	Cover, clamp, gasket: pre-assembled to compressor	

Applications with GS34MFX

	Conf. 1	Conf. 2
Refrigerant	R134a	R513A
Application	MBP	MBP
System cooling	fan 3m/s	fan 3m/s
Hot gas defrost	OK	OK
Long interval pull down	OK	OK

Electrical data - Configurations with GS34MFX

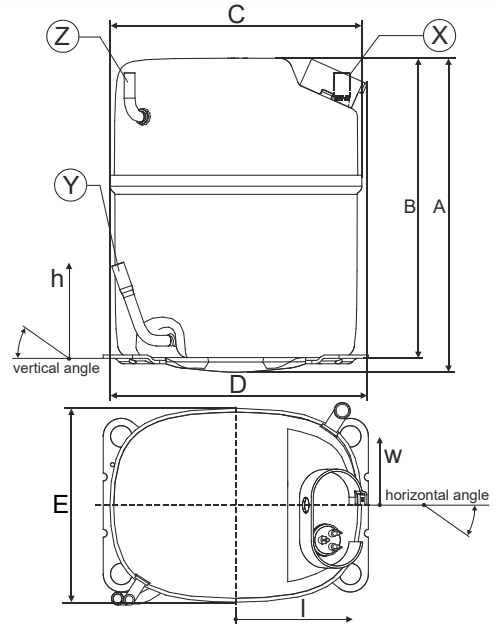
	Conf. 1	Conf. 2
Starting device type	relay	relay
Run capacitor	20μF	20μF
Start capacitor	100μF	100μF
LRA (locked rotor amps / 4s)	26A	26A
RLA (rated load amps / 1s)	4,8A	4,8A
Cut in current	26A	26A
IP class	21	21

Model

Designation	GS34MFX	220-240V/50Hz 1~	Sales code:	107B0701
-------------	----------------	------------------	-------------	-----------------

Compressor dimensions

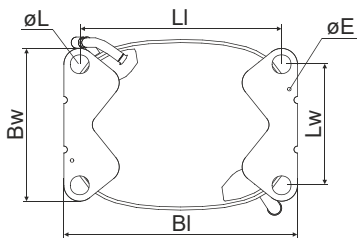
Housing	A Height	259mm / 10,2in
	B Height	247mm / 9,72in
	C Length shell	224mm / 8,82in
	D Length w. cover	232mm / 9,13in
	E Width	173mm / 6,81in



Connectors		Suction	Discharge	Process
		X	Y	Z
Diameter	[mm]	øi 12,75-13,05	øi 8,15-8,25	øi 6,4-6,6
(i:inside, o:outside)	[in]	øi 0,5-0,51	øi 0,32-0,32	øi 0,25-0,26
Material		copper	copper	copper
Horizontal angle	±2°	0°	0°	0°
Vertical angle	±2°	90°	71°	90°
Position l/h/w	[mm]	-95/234/-84	-105/84/-84	95/234/84
	[in]	-3,7/9,2/-3,3	-4,1/3,3/-3,3	3,7/9,2/3,3
Straight tube l.	[mm]	18	23	15
	[in]	0,7	0,9	0,6

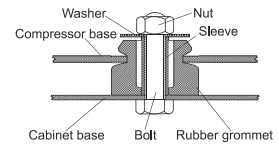
Compressor fixation

Bolt joint



Baseplate	[mm]	[inch]
BI	235	9.25
Bw	154	6.06
øE	ø 3.6	ø 0.14

Large holes	[mm]	[inch]
LI	203	7.99
LW	122	4.80
øL	ø 19	ø 0.75



Mounting accessories

Bolt joint | M8 | ø19mm one comp. 107B9150

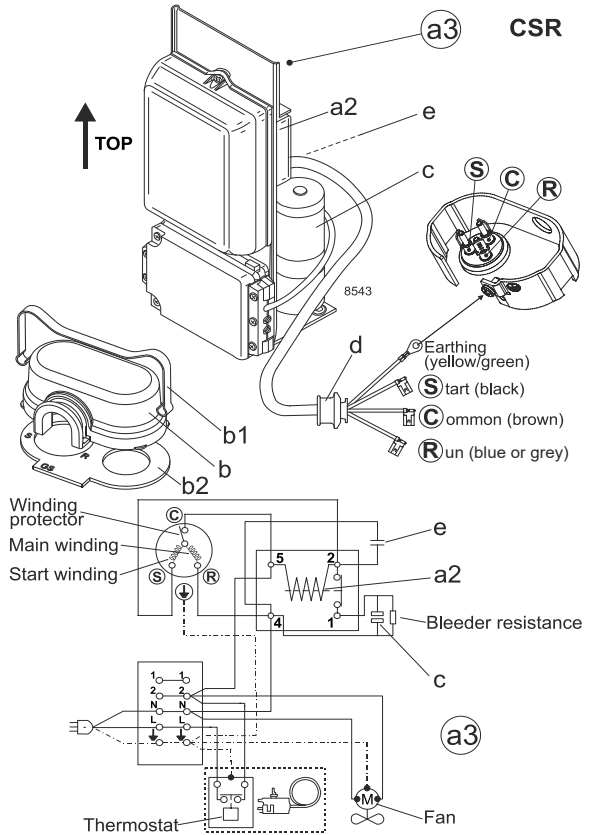
Model

Designation	GS34MFX	220-240V/50Hz	Conf. 1	Sales code:	107B0701
-------------	----------------	----------------------	----------------	-------------	-----------------

Configuration

Motorconfiguration	CSCR
Power supply (nominal)	220-240V/50Hz 1~
Refrigerant	R134a
Application	MBP
Voltage range	198-254V
Starting torque	HST
Approvals	VDE

Electrical accessories / wiring diagram

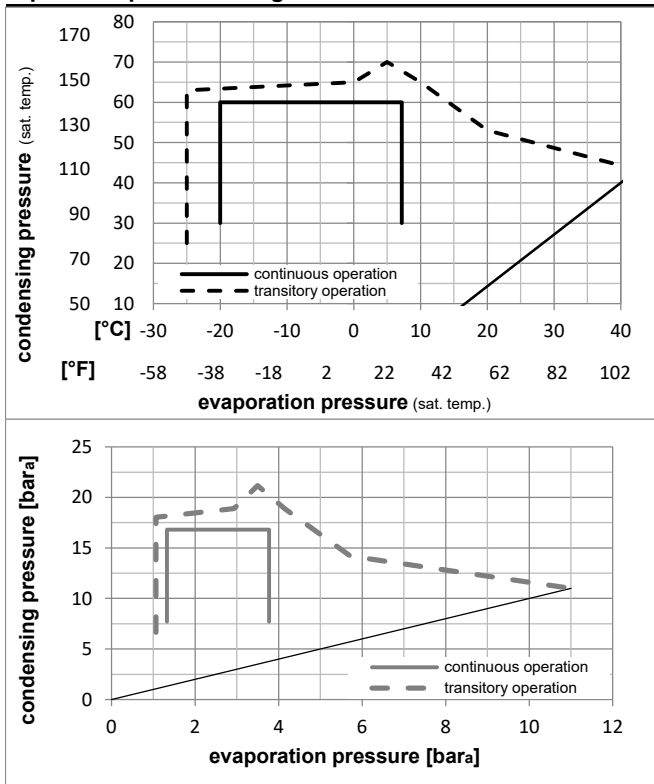


Ambient temperatures / system cooling

Ambient temperature min.:	10°C / 50°F
Ambient temperature max.:	43°C / 110°F

System cooling (n/a: outside limits)			
T ambient	LBP	MBP	HBP
32°C / 90°F	n/a	fan 3m/s	n/a
38°C / 100°F	n/a	fan 3m/s	n/a
43°C / 110°F	n/a	fan 3m/s	n/a

Operation pressure range



Components (cover, clamp, gasket: pre assembled)

a3	GS starter kit (600mm)	117-7056
b	cover	107B9101
b2	gasket	107B9100
b1	clamp	107B9104

Model

Designation **GS34MFX 220-240V/50Hz** Conf. 1 Sales code: **107B0701**

Optimization + standard conditions

220V/50Hz, CSCR, fan 3m/s, VDE

Evaporating pressure (saturation temperature)														
Condensing pressure (saturation temperature)														
Return gas temp.														
Liquid temp.														
Cooling capacity														
COP														
EER														
Power consumption														
Current consumption														
Ref. mass flow														
	pe	pc	RGT	Tliq	[W]	[Btu/h]	[kcal/h]	[W/W]	[Btu/Wh]	[kcal/Wh]	P1	I	m	
[°C]	[°C]	[°C]	[°C]	[°C]	[W]	[Btu/h]	[kcal/h]	[W/W]	[Btu/Wh]	[kcal/Wh]	[W]	[A]	[kg/h]	
[°F]	-6,66	54,4	35	46,1	1891,2	6459	1627,6	1,80	6,13	1,55	1052,9	5,12	41,26	ASHRAE MBP
[°F]	20	130	95	115										
[°C]	-10	55	32	55	1456,6	4975	1253,6	1,49	5,08	1,28	979,5	4,79	35,22	cecomaf MBP
[°F]	14	131	89,6	131										
[°C]	-10	45	20	45	1648,3	5629	1418,6	1,81	6,19	1,56	908,8	4,59	38,58	EN12900 MBP
[°F]	14	113	68	113										
[°C]	-6,66	48,9	18,3	48,9	1796,4	6135	1546,0	1,79	6,11	1,54	1004,8	5,00	44,37	ARI540 MBP
[°F]	20	120	65	120										
[°C]	-10	45	32	45	1711,7	5846	1473,1	1,88	6,43	1,62	908,8	4,59	37,46	opt
[°F]	14	113	89,6	113										
[°C]	-25	45	32	45	773,1	2640	665,4	1,23	4,20	1,06	628,1	3,43	16,75	opt
[°F]	-13	113	89,6	113										

Performance tables

220V/50Hz, CSCR, fan 3m/s, VDE

	pe	Cooling capacity			COP	EER	P1	I	m		
		[°C]	[°F]	[W]						[Btu/h]	[kcal/h]
[°C / °F]	-20	-4	1034,7	3534	890,5	1,43	4,89	1,23	722,4	3,78	22,48
cond. pressure	-15	5	1344,6	4592	1157,2	1,65	5,64	1,42	814,8	4,16	29,31
pc= 45/113	-10	14	1711,7	5846	1473,1	1,88	6,43	1,62	908,8	4,59	37,46
return gas temp.	-6,7	20	1989,6	6795	1712,3	2,04	6,98	1,76	973,3	4,90	43,68
RGT= 32/90	-5	23	2145,0	7326	1846,0	2,13	7,27	1,83	1007,7	5,06	47,17
liquid temp	0	32	2653,8	9063	2283,9	2,38	8,13	2,05	1115,1	5,58	58,69
Tliq= 45/113	7,2	45	3538,5	12085	3045,3	2,74	9,36	2,36	1291,1	6,39	79,04
[°C / °F]	-20	-4	851,3	2907	732,6	1,15	3,92	0,99	742,0	3,86	20,42
cond. pressure	-15	5	1129,4	3857	971,9	1,31	4,47	1,13	862,1	4,30	27,19
pc= 55/131	-10	14	1456,6	4975	1253,6	1,49	5,08	1,28	979,5	4,79	35,22
return gas temp	-6,7	20	1704,0	5819	1466,5	1,61	5,51	1,39	1057,1	5,13	41,34
RGT= 32/90	-5	23	1842,2	6291	1585,4	1,68	5,73	1,44	1097,5	5,31	44,78
liquid temp	0	32	2295,3	7839	1975,4	1,88	6,43	1,62	1219,5	5,88	56,14
Tliq= 55/131	7,2	45	3086,1	10540	2656,0	2,19	7,48	1,88	1409,2	6,77	76,33

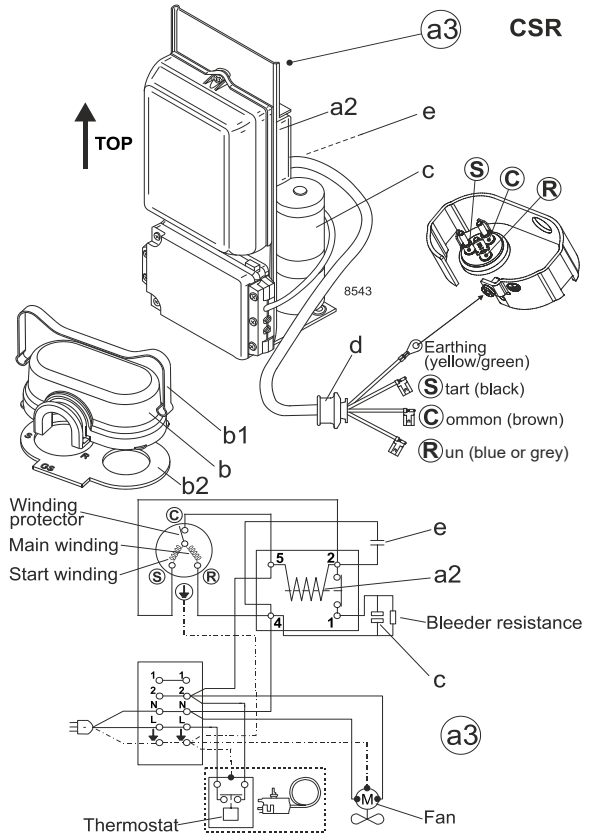
Model

Designation	GS34MFX	220-240V/50Hz	Conf. 2	Sales code:	107B0701
-------------	----------------	----------------------	----------------	-------------	-----------------

Configuration

Motorconfiguration	CSCR
Power supply (nominal)	220-240V/50Hz 1~
Refrigerant	R513A
Application	MBP
Voltage range	198-254V
Starting torque	HST
Approvals	VDE

Electrical accessories / wiring diagram

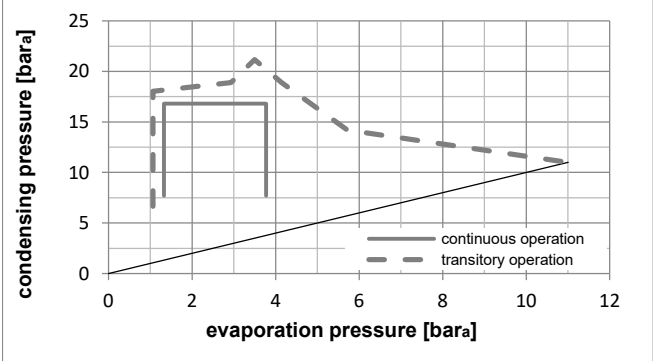
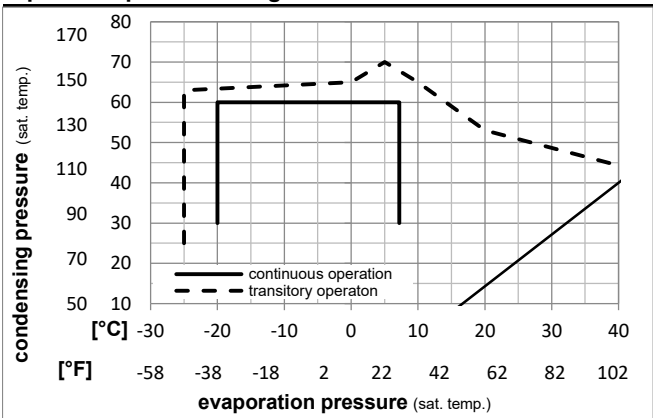


Ambient temperatures / system cooling

Ambient temperature min.:	10°C / 50°F
Ambient temperature max.:	43°C / 110°F

System cooling (n/a: outside limits)			
T ambient	LBP	MBP	HBP
32°C / 90°F	n/a	fan 3m/s	n/a
38°C / 100°F	n/a	fan 3m/s	n/a
43°C / 110°F	n/a	fan 3m/s	n/a

Operation pressure range



Components (cover, clamp, gasket: pre assembled)

a3	GS starter kit (600mm)	117-7056
b	cover	107B9101
b2	gasket	107B9100
b1	clamp	107B9104

Model

Designation **GS34MFX 220-240V/50Hz** Conf. **2** Sales code: **107B0701**

Optimization + standard conditions

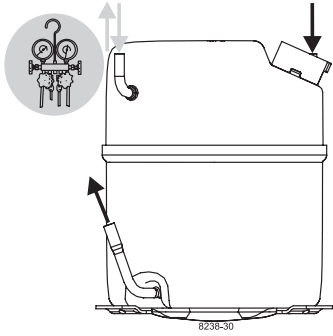
220V/50Hz, CSCR, fan 3m/s, VDE

Evaporating pressure (saturation temperature)														
Condensing pressure (saturation temperature)										Power consumption				
Return gas temp.										Current consumption				
Liquid temp.										Ref. mass flow				
Cooling capacity										COP EER				
P1										I m				
	pe	pc	RGT	Tliq	[W]	[Btu/h]	[kcal/h]	[W/W]	[Btu/Wh]	[kcal/Wh]	[W]	[A]	[kg/h]	
[°C]	-6,66	54,4	35	46,1	2000,7	6833	1721,8	1,77	6,04	1,52	1131,6	5,60	49,00	ASHRAE MBP
[°F]	20	130	95	115										
[°C]	-10	55	32	55	1524,9	5208	1312,3	1,44	4,93	1,24	1057,0	5,28	42,17	cecomaf MBP
[°F]	14	131	89,6	131										
[°C]	-10	45	20	45	1734,4	5923	1492,6	1,78	6,07	1,53	976,2	4,93	45,97	EN12900 MBP
[°F]	14	113	68	113										
[°C]	-6,66	48,9	18,3	48,9	1866,0	6373	1605,9	1,73	5,92	1,49	1077,0	5,36	52,58	ARI540 MBP
[°F]	20	120	65	120										
[°C]	-10	45	32	45	1815,3	6199	1562,2	1,86	6,35	1,60	976,2	4,93	44,63	opt
[°F]	14	113	89,6	113										
[°C]	-25	45	32	45	850,9	2906	732,3	1,23	4,21	1,06	690,4	3,70	20,74	opt
[°F]	-13	113	89,6	113										

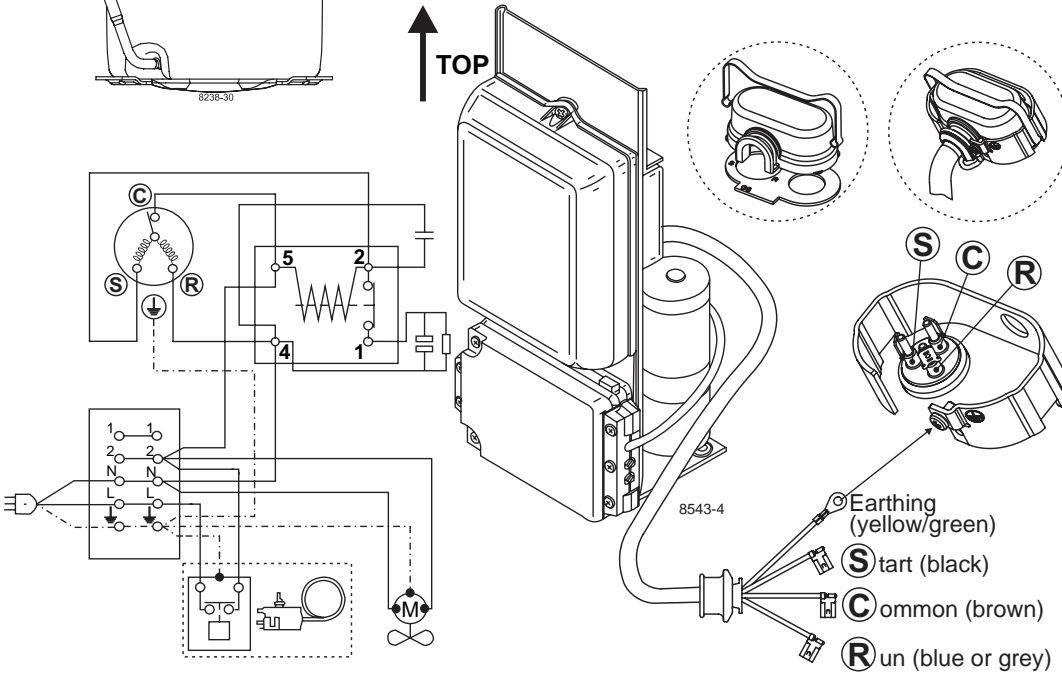
Performance tables

220V/50Hz, CSCR, fan 3m/s, VDE

	pe		Cooling capacity			COP		EER		P1	I	m
	[°C]	[°F]	[W]	[Btu/h]	[kcal/h]	[W/W]	[Btu/Wh]	[kcal/Wh]	[W]	[A]	[kg/h]	
[°C / °F]	-20	-4	1121,8	3831	965,4	1,42	4,87	1,23	787,2	4,12	27,41	
cond. pressure	-15	5	1440,7	4920	1239,8	1,63	5,58	1,41	881,2	4,52	35,30	
pc= 45/113	-10	14	1815,3	6199	1562,2	1,86	6,35	1,60	976,2	4,93	44,63	
return gas temp.	-6,7	20	2096,8	7161	1804,5	2,01	6,87	1,73	1041,6	5,21	51,69	
RGT= 32/90	-5	23	2253,4	7696	1939,3	2,09	7,15	1,80	1076,5	5,36	55,63	
liquid temp	0	32	2763,0	9436	2377,8	2,33	7,96	2,00	1186,2	5,83	68,53	
Tliq= 45/113	7,2	45	3638,7	12427	3131,5	2,66	9,08	2,29	1368,6	6,61	91,01	
[°C / °F]	-20	-4	914,7	3124	787,2	1,12	3,84	0,97	813,7	4,23	25,11	
cond. pressure	-15	5	1196,4	4086	1029,7	1,28	4,36	1,10	937,0	4,76	32,96	
pc= 55/131	-10	14	1524,9	5208	1312,3	1,44	4,93	1,24	1057,0	5,28	42,17	
return gas temp	-6,7	20	1771,0	6048	1524,2	1,56	5,32	1,34	1136,4	5,62	49,11	
RGT= 32/90	-5	23	1907,8	6516	1641,9	1,62	5,53	1,39	1177,8	5,79	52,99	
liquid temp	0	32	2353,4	8037	2025,3	1,81	6,17	1,55	1303,4	6,33	65,72	
Tliq= 55/131	7,2	45	3121,4	10660	2686,3	2,08	7,10	1,79	1500,9	7,18	87,99	



GS Compressors



	S	C	R
ENGLISH	Black	Brown	Blue or grey
DEUTSCH	Schwarz	Braun	Blau od. grau
FRANÇAIS	Noir	Marron	Bleu ou gris
ESPAÑOL	Negro	Marrón	Azul o gris
ITALIANO	Nero	Marrone	Blu o grigio
NEDERLANDS	Zwart	Bruin	Blauw of grijs
DANSK	Sort	Brun	Blå eller grå
SVENSKA	Svart	Brun	Blå eller grå
SUOMEKSI	Musta	Ruskea	Sininen tai harmaa
РУССКИЙ	Чёрный	Коричневый	Синий или серый
中文	黑色	棕色	蓝色或灰色

Secop accepts no responsibility for possible errors in catalogs, brochures, and other printed material. Secop reserves the right to alter its products without notice. This also applies to products already on order provided that such alterations can be made without consequential changes being necessary to specifications already agreed. All trademarks in this material are the property of the respective companies. Secop and the Secop logotype are trademarks of Secop GmbH. All rights reserved. www.secop.com