

## Single Pack PL50F 115V 60Hz CSIR

Single pack code number: **195B4756**

| Position | Title  | Code     | Amount |
|----------|--|----------|--------|
| 1        | Compressor PL50F   | 101G9202 | 1      |
| 2        | Starting relay   | 117U6000 | 1      |
| 3        | Starting capacitor (80 $\mu$ F 220V, 6.3mm)                    | 117U5015 | 1      |
| 4        | Cord relief  | 103N1010 | 1      |
| 5        | Cover  | 103N0492 | 1      |
| 6        | Snap-on in quantities   $\varnothing$ 7,3   $\varnothing$ 16mm | 118-1919 | 1      |

**Secop GmbH** • Lise-Meitner-Straße 29 • 24941 Flensburg, Germany • Tel: +49 461 4941 0 • [www.secop.com](http://www.secop.com)

Secop accepts no responsibility for possible errors in catalogs, brochures, and other printed material. Secop reserves the right to alter its products without notice. This also applies to products already on order provided that such alterations can be made without subsequent changes being necessary to specifications already agreed. All trademarks in this material are the property of the respective companies. Secop and the Secop logotype are trademarks of Secop GmbH. All rights reserved.

## PL50F Standard Compressor R134a 115V 60Hz

### General

|                       |          |
|-----------------------|----------|
| Code number           | 101G9202 |
| Approvals             | UL984    |
| Compressors on pallet | 150      |

### Application

| Application                                    | LBP/MBP |                  |
|--|---------|------------------|
| Frequency                                      | Hz      | 50      60       |
| Evaporating temperature                        | °F      | –      -13 to 32 |
| Voltage range                                  | V       | –      103 - 127 |
| Max. condensing temperature continuous (short) | °F      | –      122 (140) |
| Max. winding temperature continuous (short)    | °F      | –      257 (275) |

### Cooling requirements

| Frequency               | Hz | 50  |     |     | 60  |     |     |
|-------------------------|----|-----|-----|-----|-----|-----|-----|
| Application             |    | LBP | MBP | HBP | LBP | MBP | HBP |
| 90°F                    |    | –   | –   | –   | S   | S   | –   |
| 100°F                   |    | –   | –   | –   | S   | S   | –   |
| 110°F                   |    | –   | –   | –   | S   | S   | –   |
| Remarks on application: |    |     |     |     |     |     |     |

### Motor

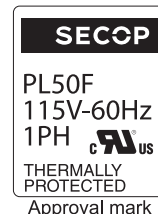
| Motor type                                | RSIR/CSIR |               |
|---|-----------|---------------|
| LRA (rated after 4 sec. UL984), HST   LST | A         | 6.1      9.5  |
| Cut in Current, HST   LST                 | A         | 6.1      9.5  |
| Resistance, main   start winding (77°F)   | Ω         | 7.6      13.6 |

### Design

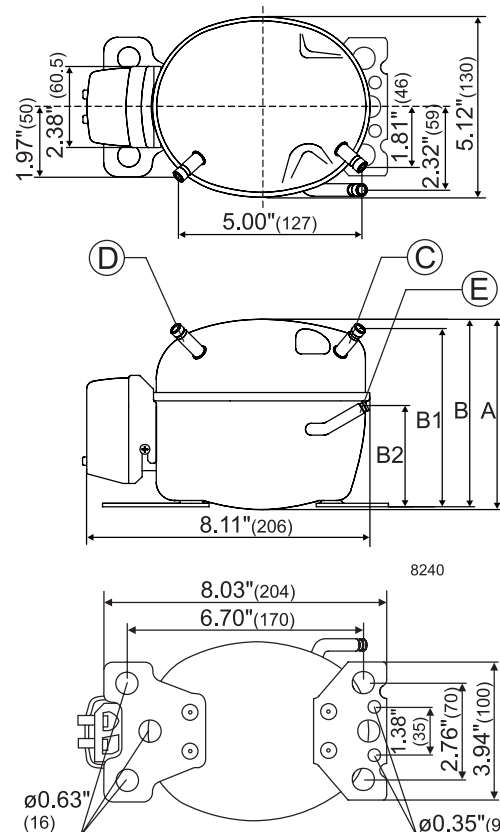
|                                     |        |                   |
|-------------------------------------|--------|-------------------|
| Displacement                        | cu.in  | 0.12              |
| Oil quantity (type)                 | fl.oz. | 5.1 (polyolester) |
| Maximum refrigerant charge          | oz.    | 10.5              |
| Free gas volume in compressor       | fl.oz. | 28.9              |
| Weight without electrical equipment | lbs.   | 9.5               |

### Dimensions

| Height               | inch                       | A  | 5.28                     |
|----------------------|----------------------------|----|--------------------------|
|                      |                            | B  | 5.20                     |
|                      |                            | B1 | 4.88                     |
|                      |                            | B2 | 2.87                     |
| Suction connector    | location, I.D. in.   angle | C  | 0.252-0.259   40°        |
|                      | material   comment         |    | Cu-plated steel   Al cap |
| Process connector    | location, I.D. in.   angle | D  | 0.252-0.259   45°        |
|                      | material   comment         |    | Cu-plated steel   Al cap |
| Discharge connector  | location, I.D. in.   angle | E  | 0.202-0.205   21°        |
|                      | material   comment         |    | Cu-plated steel   Al cap |
| Oil cooler connector | location, I.D. in.   angle | F  | –                        |
|                      | material   comment         |    | –                        |
| Remarks:             |                            |    |                          |



- S = Static cooling normally sufficient
- O = Oil cooling
- F<sub>1</sub> = Fan cooling 1.5 m/s  
(compressor compartment temperature equal to ambient temperature)
- F<sub>2</sub> = Fan cooling 3.0 m/s necessary
- SG = Suction gas cooling normally sufficient
- = not applicable in this area



**ASHRAE LBP**

115V, 60Hz, static cooling, PTC consumption incl.

|                    |     |     |     |     |      |      |      |      |      |      |      |      |    |    |    |    |    |
|--------------------|-----|-----|-----|-----|------|------|------|------|------|------|------|------|----|----|----|----|----|
| Evap. temp. in °F  | -49 | -40 | -30 | -20 | -13  | -10  | 0    | 10   | 14   | 20   | 30   | 32   | 41 | 45 | 50 | 59 | 68 |
| Capacity in BTU/h  |     |     |     |     | 155  | 175  | 249  | 335  | 374  | 437  | 557  | 584  |    |    |    |    |    |
| Power cons. in W   |     |     |     |     | 62.3 | 65.0 | 73.2 | 80.9 | 84   | 88.5 | 96.2 | 97.8 |    |    |    |    |    |
| Current cons. in A |     |     |     |     | 1.12 | 1.13 | 1.18 | 1.22 | 1.24 | 1.27 | 1.33 | 1.34 |    |    |    |    |    |
| EER in BTU/Wh      |     |     |     |     | 2.49 | 2.70 | 3.39 | 4.14 | 4.45 | 4.94 | 5.79 | 5.97 |    |    |    |    |    |

**ASHRAE MBP**

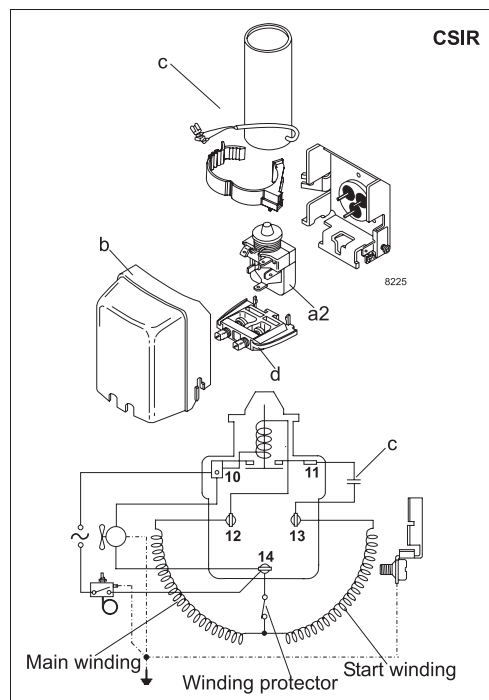
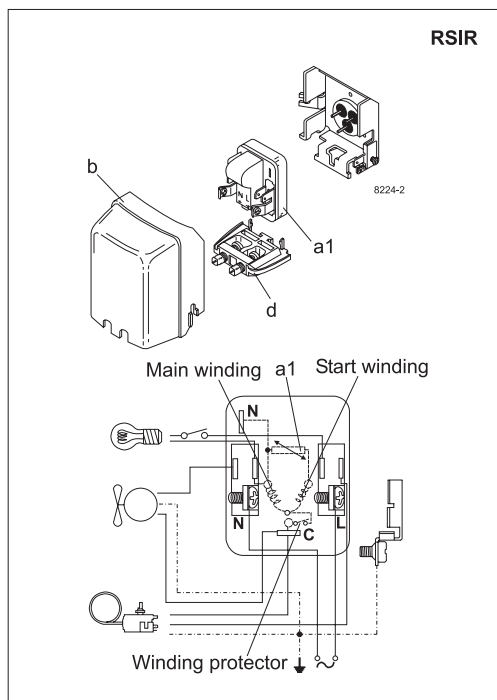
115V, 60Hz, static cooling, PTC consumption incl.

|                    |     |     |     |     |      |      |      |      |      |      |      |      |    |    |    |    |    |
|--------------------|-----|-----|-----|-----|------|------|------|------|------|------|------|------|----|----|----|----|----|
| Evap. temp. in °F  | -49 | -40 | -30 | -20 | -13  | -10  | 0    | 10   | 14   | 20   | 30   | 32   | 41 | 45 | 50 | 59 | 68 |
| Capacity in BTU/h  |     |     |     |     | 138  | 156  | 221  | 299  | 333  | 388  | 494  | 518  |    |    |    |    |    |
| Power cons. in W   |     |     |     |     | 62.3 | 65.0 | 73.2 | 80.9 | 84   | 88.5 | 96.2 | 97.8 |    |    |    |    |    |
| Current cons. in A |     |     |     |     | 1.12 | 1.13 | 1.18 | 1.22 | 1.24 | 1.27 | 1.33 | 1.34 |    |    |    |    |    |
| EER in BTU/Wh      |     |     |     |     | 2.21 | 2.40 | 3.02 | 3.69 | 3.97 | 4.38 | 5.14 | 5.29 |    |    |    |    |    |

**EN 12900 Household (CECOMAF)**

115V, 60Hz, static cooling, PTC consumption incl.

|                    |     |     |     |     |      |      |      |      |      |      |      |      |    |    |    |    |    |
|--------------------|-----|-----|-----|-----|------|------|------|------|------|------|------|------|----|----|----|----|----|
| Evap. temp. in °F  | -49 | -40 | -30 | -20 | -13  | -10  | 0    | 10   | 14   | 20   | 30   | 32   | 41 | 45 | 50 | 59 | 68 |
| Capacity in W      |     |     |     |     | 36.8 | 41.5 | 58.9 | 79.3 | 88   | 103  | 132  | 138  |    |    |    |    |    |
| Power cons. in W   |     |     |     |     | 62.3 | 65.0 | 73.2 | 80.9 | 84   | 88.5 | 96.2 | 97.8 |    |    |    |    |    |
| Current cons. in A |     |     |     |     | 1.12 | 1.13 | 1.18 | 1.22 | 1.24 | 1.27 | 1.33 | 1.34 |    |    |    |    |    |
| COP in W/W         |     |     |     |     | 0.59 | 0.64 | 0.80 | 0.98 | 1.05 | 1.17 | 1.37 | 1.41 |    |    |    |    |    |



| Accessories for        | PL50F                   | Figure | Code number |
|------------------------|-------------------------|--------|-------------|
| PTC starting device    | 1/4 in. spade connect.  | a1     | 103N0026    |
|                        | 3/16 in. spade connect. |        | 103N0023    |
| Starting relay         | 1/4 in. spade connect.  | a2     | 117U6000    |
| Cover                  |                         | b      | 103N0492    |
| Start. capacitor 80 µF | 1/4 in. spade connect.  | c      | 117U5015    |
| Cord relief            |                         | d      | 103N1010    |

| Test conditions    | ASHRAE MBP | ASHRAE LBP* | EN 12900/CECOMAF |
|--------------------|------------|-------------|------------------|
| Condensing temp.   | 130°F      | 130°F       | 131°F            |
| Ambient temp.      | 95°F       | 90°F        | 90°F             |
| Suction gas temp   | 95°F       | 90°F        | 90°F             |
| Liquid temperature | 115°F      | 90°F        | 131°F            |

| Mounting accessories                | Code number |
|-------------------------------------|-------------|
| Bolt joint for one comp. Ø: 5/8 in. | 118-1917    |
| Bolt joint in quantities Ø: 5/8 in. | 118-1918    |
| Snap-on in quantities Ø: 5/8 in.    | 118-1919    |

Secop accepts no responsibility for possible errors in catalogs, brochures, and other printed material. Secop reserves the right to alter its products without notice. This also applies to products already on order provided that such alterations can be made without subsequent changes being necessary to specifications already agreed. All trademarks in this material are the property of the respective companies. Secop and the Secop logotype are trademarks of Secop GmbH. All rights reserved. [www.secop.com](http://www.secop.com)



# PL Compressors





# PL Compressors

## Service/Repair – R600a



8545



Secop accepts no responsibility for possible errors in catalogs, brochures, and other printed material. Secop reserves the right to alter its products without notice. This also applies to products already on order provided that such alterations can be made without subsequent changes being necessary to specifications already agreed. All trademarks in this material are the property of the respective companies. Secop and the Secop logotype are trademarks of Secop GmbH. All rights reserved. [www.secop.com](http://www.secop.com)