

Single Pack SC18/18CL 220-240V 50Hz CSCR

Single pack code number: **195B3302**

Position	Title	Code	Amount
1	Compressor SC18/18CL	104L4090	1
2	SC starting device (550mm)	117-7027	2
3	Cord relief	103N1004	2
4	Cover	103N2009	2
5	Bolt joint for one compressor M6 ø16mm	118-1917	2
6	Seal ring for service valve and solder connector	118-3638	1
7	Service valve 16mm	118-7351	1

Secop GmbH • Lise-Meitner-Straße 29 • 24941 Flensburg, Germany • Tel: +49 461 4941 0 • www.secop.com

Secop accepts no responsibility for possible errors in catalogs, brochures, and other printed material. Secop reserves the right to alter its products without notice. This also applies to products already on order provided that such alterations can be made without subsequent changes being necessary to specifications already agreed. All trademarks in this material are the property of the respective companies. Secop and the Secop logotype are trademarks of Secop GmbH. All rights reserved.

Model

Designation	SC18/18CL	220-240V/50Hz 1~	Sales code:	104L4090
-------------	------------------	------------------	-------------	-----------------

Compressor design

Oil type	Polyolester	Refrigerant(s)	R404A, R507
Oil viscosity	32cST	Displacement	35,38cm ³ / 2,16cu.in
Oil quantity	1233cm ³ / 41,7fl.oz	Compressors on pallet	18
Refr. charge - tech. limit	2200g / 77,6oz		
Free gas volume comp.	2920cm ³ / 98,7fl.oz		
Weight	29,1kg / 64,2lbs		
Motor protection	1# internal		
Winding resistance main	3,7Ω (at 25°C)		
Winding resistance aux	14Ω (at 25°C)		
Max. winding temp.	125°C / 257°F		
Max. discharge temp.	135°C / 275°F		



General - Configurations with SC18/18CL

	Conf. 1
Motorconfiguration	CSCR
Power supply (nominal)	220-240V/50Hz
Number of phases	1
Voltage range	198-254V
Approvals	CCC, EAC, VDE
Starting torque	HST
Note	- / -

Applications with SC18/18CL

	Conf. 1
Refrigerant	R404A
Application	LBP+MBP
System cooling	fan 3m/s
Hot gas defrost	OK
Long interval pull down	OK

Electrical data - Configurations with SC18/18CL

	Conf. 1
Starting device type	relay
Run capacitor	10μF
Start capacitor	80μF
LRA (locked rotor amps / 4s)	2x 20,43A
RLA (rated load amps / 1s)	2x 4,2A
Cut in current	2x 20,43A

Model

Designation

SC18/18CL

220-240V/50Hz 1~

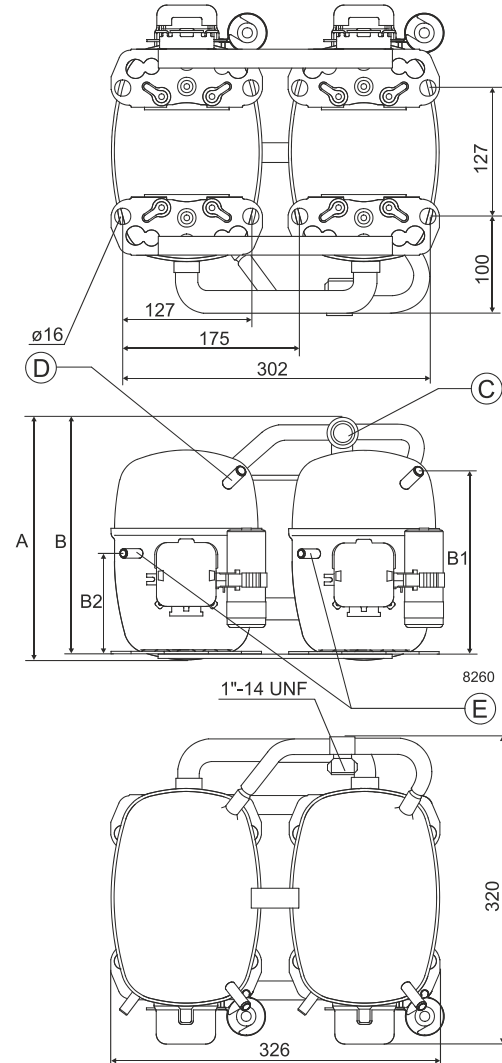
Sales code:

104L4090

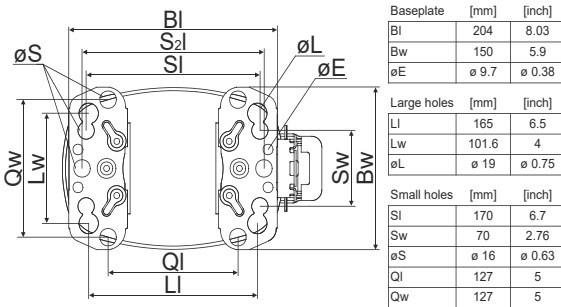
Compressor dimensions

Housing	A Height	259mm / 10,2in
	B Height	254mm / 10in
	B1	193mm / 7,6in
	B2	110mm / 4,33in

Connectors		Suction	Discharge	Process
		C	E	D
Diameter	[mm]	øi 15,21-15,37	øi 6,11-6,29	øi 6,11-6,29
(i:inside, o:outside)	[in]	øi 0,6-0,61	øi 0,24-0,25	øi 0,24-0,25
Material		steel	copper	copper
Horizontal angle	±2°	0°	37°	37°
Vertical angle	±2°	0°	0°	0°
Position l/h/w	[mm]	0/0/0	0/0/0	0/0/0
	[in]	0/0/0	0/0/0	0/0/0
Straight tube l.	[mm]	10	12	12
	[in]	0,4	0,5	0,5



Compressor fixation

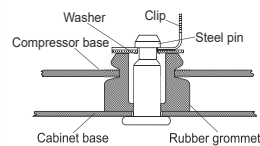
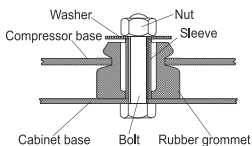


Mounting accessories

	one comp.	multi pack
Bolt joint M6 ø16mm	118-1917	118-1918
Bolt joint ø1/4" ø16mm	118-1946	
Bolt joint ø1/4" ø19mm	118-1949	
Snap-on ø7,3 ø16mm	118-1947	118-1919

Bolt joint

Snap-on



Application notes

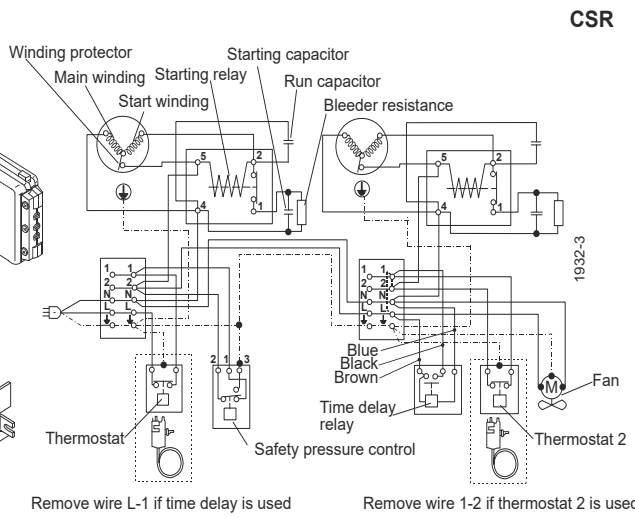
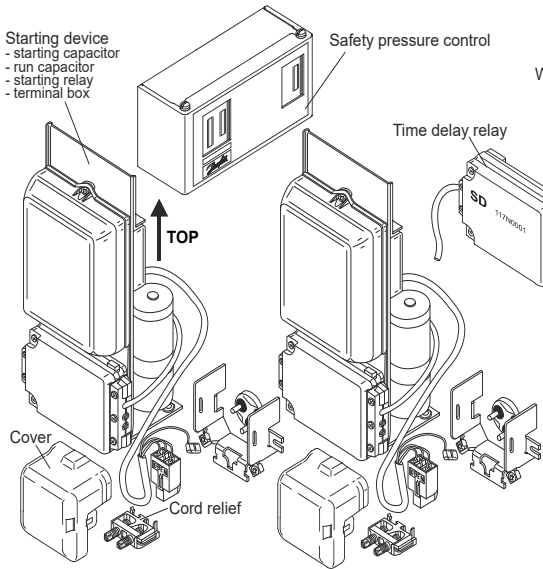
Provision for PE Grounding is located at the PE Stamp on the compressor

Twin should be used with a time-delay relay

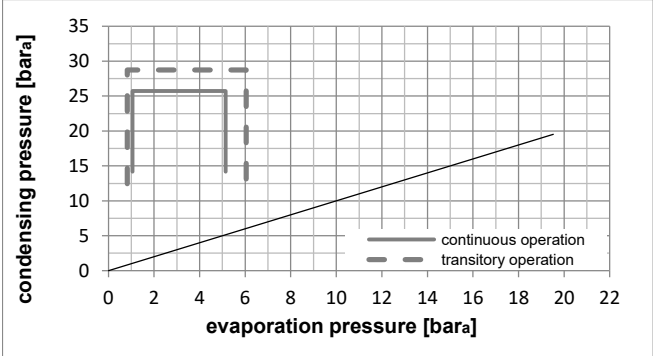
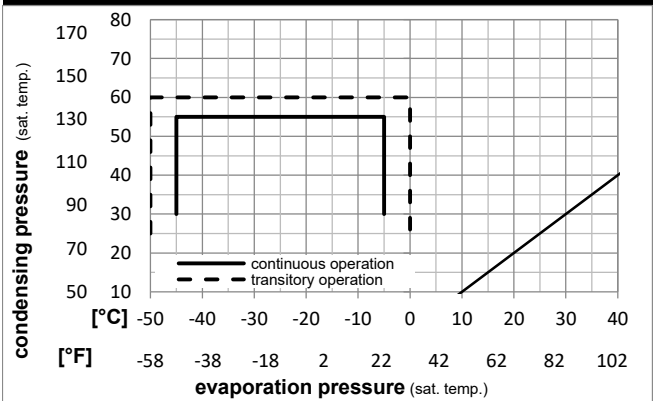
Model				
Designation	SC18/18CL	220-240V/50Hz	Conf. 1	Sales code: 104L4090

Configuration		Ambient/ machine room temperatures minimum /maximum
Motorconfiguration	CSCR	Ambient temperature range: 10 - 38°C / 50 - 101°F
Power supply (nominal)	220-240V/50Hz 1~	Machine room temperature range: 10 - 43°C / 50 - 110°F
Refrigerant	R404A	Compressor cooling: fan 3m/s
Application	LBP+MBP	
Voltage range	198-254V	
Starting torque	HST	
Approvals	CCC, EAC, VDE	

Electrical accessories / wiring diagram

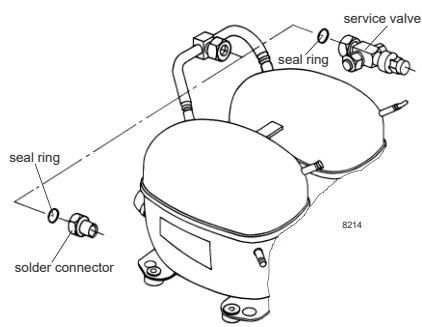


Operation pressure range



Components

- a3 SC starter kit (550mm) 117-7027
- b plastic cover 103N2009
- d cord relief 103N1004
- . Check valve (to be used with time-delay relay) 020-1014
- . Service valve 16mm 118-7351
- . Solder connector (alternative) 16 mm 118-7405
- . Seal ring for service valve and solder conn. 118-3638



Model

Designation **SC18/18CL** **220-240V/50Hz** Conf. 1 Sales code: **104L4090**

Optimization + standard conditions

R404A, 220V/50Hz, CSCR, fan 3m/s, CCC, EAC, VDE

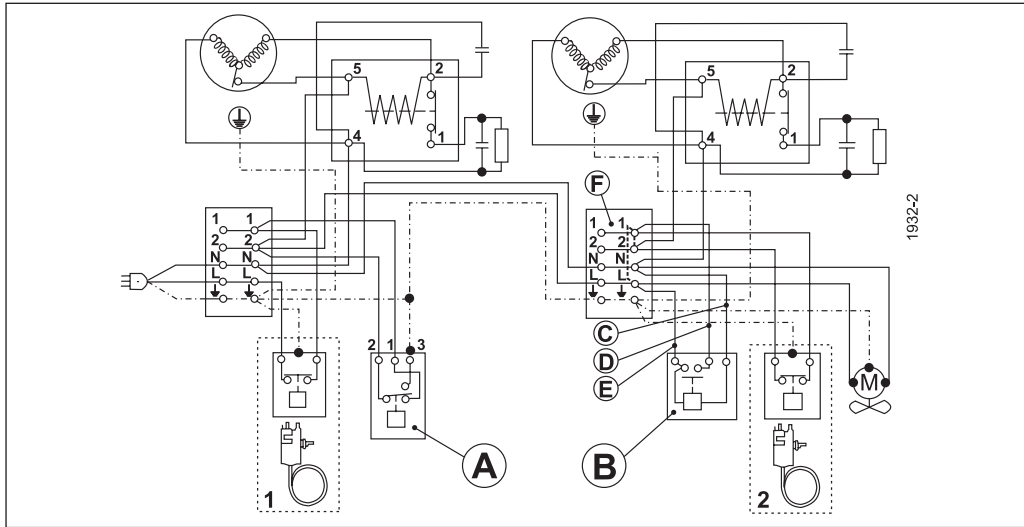
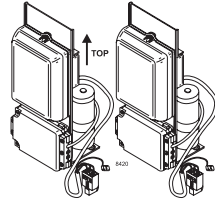
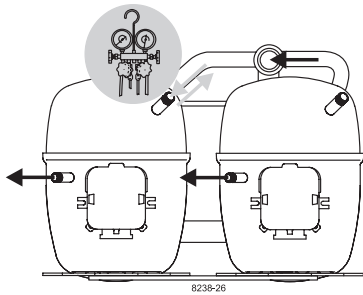
		Evaporating pressure (saturation temperature)				Condensing pressure (saturation temperature)			Return gas temp.			Liquid temp.		Cooling capacity			COP	EER	Power consumption			ASHRAE LBP
		pe	pc	RGT	Tliq	[W]	[Btu/h]	[kcal/h]	[W/W]	[Btu/Wh]	[kcal/Wh]	P1	I	Ref. mass flow				ASHRAE LBP				
[°C]	[°F]											[W]	[A]	[kg/h]								
-23	-10	54	130	32	90	32	90	1601,5	5469	1378,3	1,21	4,14	1,04	1319,9	7,55	37,32						
25	77	55	131	32	90	55	131	1077,1	3679	927,0	0,86	2,92	0,74	1258,0	7,29	33,66				cecomaf LBP		
35	91	40	104	20	68	40	104	872,3	2979	750,7	0,97	3,30	0,83	902,1	6,02	23,70				EN12900 LBP		
23	-10	49	120	4,4	40	49	120	1218,6	4162	1048,7	0,93	3,19	0,80	1304,8	7,51	43,14				ARI540 LBP		
23	-10	41	105	32	90	32	90	1898,1	6482	1633,5	1,51	5,17	1,30	1254,8	7,32	44,23				AHAM LBP		
35	-31	45	113	32	90	45	113	788,9	2694	679,0	0,87	2,96	0,75	910,3	6,04	21,09				opt		

Performance tables

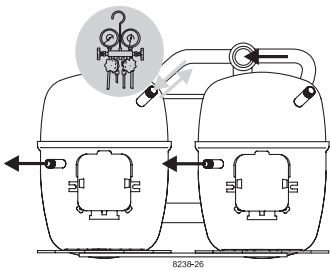
R404A, 220V/50Hz, CSCR, fan 3m/s, CCC, EAC, VDE

	pe		Cooling capacity			COP	EER	P1			I	m
	[°C]	[°F]	[W]	[Btu/h]	[kcal/h]	[W/W]	[Btu/Wh]	[kcal/Wh]	[W]	[A]	[kg/h]	
[°C / °F]	-45	-49	333,4	1139	286,9	0,57	1,94	0,49	587,3	5,22	8,86	
cond. pressure	-35	-31	788,9	2694	679,0	0,87	2,96	0,75	910,3	6,04	21,09	
pc= 45/113	-30	-22	1083,3	3700	932,3	1,01	3,46	0,87	1067,9	6,58	29,08	
return gas temp.	-25	-13	1430,4	4885	1231,0	1,16	3,97	1,00	1229,5	7,21	38,58	
RGT= 32/90	-20	-4	1836,3	6271	1580,4	1,31	4,48	1,13	1400,1	7,92	49,82	
liquid temp	-15	5	2307,3	7880	1985,7	1,46	4,97	1,25	1584,6	8,72	63,03	
Tliq= 45/113	-5	23	3469,0	11847	2985,4	1,72	5,88	1,48	2015,1	10,58	96,44	
[°C / °F]	-45	-49	167,7	573	144,4	0,33	1,14	0,29	504,3	4,93	5,15	
cond. pressure	-35	-31	550,2	1879	473,5	0,62	2,11	0,53	889,5	5,94	17,02	
pc= 55/131	-30	-22	792,5	2706	682,0	0,74	2,52	0,64	1073,4	6,57	24,63	
return gas temp	-25	-13	1077,1	3679	927,0	0,86	2,92	0,74	1258,0	7,29	33,66	
RGT= 32/90	-20	-4	1410,2	4816	1213,7	0,97	3,33	0,84	1448,4	8,10	44,37	
liquid temp	-15	5	1798,0	6141	1547,4	1,09	3,72	0,94	1649,4	9,00	57,02	
Tliq= 55/131	-5	23	2762,5	9434	2377,4	1,31	4,49	1,13	2103,5	11,04	89,41	

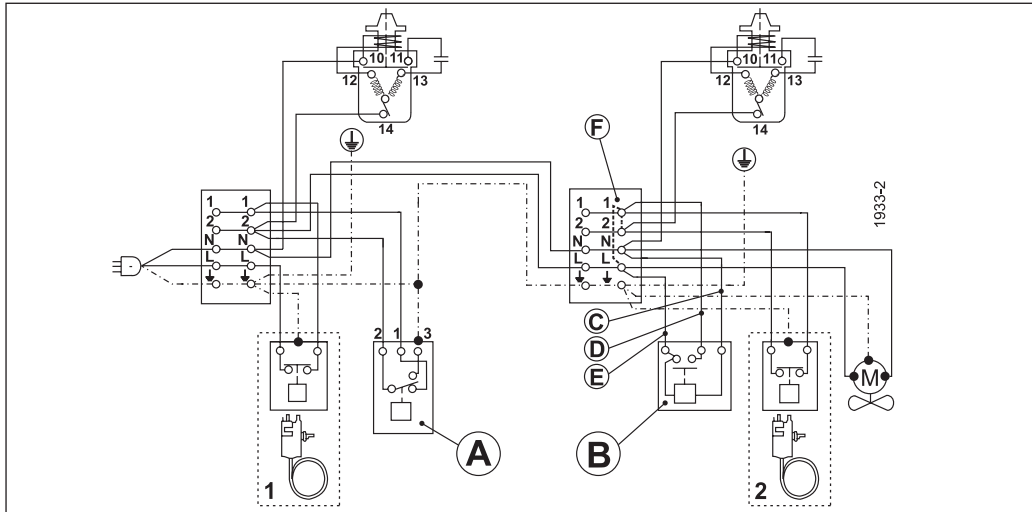
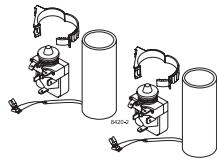
SC Twin Compressors



	A	B	C	D	E	F	
ENGLISH	Safety pressure control	Time delay relay	Blue	Black	Brown	Remove wire L-1 if time delay is used	Remove wire 1-2 if thermostat 2 is used
中文	安全压力控制	延时继电器	蓝	黑	棕	若延时继电器使用，线L-1不使用	若温控器2使用，线1-2不使用
Русский	Предохранительное реле давления	Реле задержки времени	Синий	Чёрный	Коричневый	Отсоедините провод L-1, если используется реле задержки времени	Отсоедините провод 1-2, если используется термостат 2
DEUTSCH	Sicherheitsdruckschalter	Zeitrelais (verzögernd)	Blau	Schwarz	Braun	Bei Benutzung der Anlaßverzögerung Brücke L-1 entfernen	Bei Benutzung von Thermostat 2 Brücke 1-2 entfernen
FRANÇAIS	Pressostat	Relais de temporisation	Bleu	Noir	Marron	Supprimer la connection L-1 si le relais de temporisation est utilisé	Supprimer la connection 1-2 si thermostat 2 est utilisé
ESPAÑOL	Presostato de seguridad	Relé de retardo	Azul	Negro	Marrón	Quitar cable L-1, si se utiliza un relé de retardo	Quitar cable 1-2, si se utiliza el termostato 2
ITALIANO	Pressostato	Relè di ritardo avviam.	Blu	Nero	Marrone	Eliminare il cavo L-1 se è utilizzato il ritardatore	Eliminare il cavo 1-2 se è utilizzato il termostato 2
NEDERLANDS	Pressostaat	Tijdvertraging-relais	Blauw	Zwart	Bruin	Verwijder draad L-1 indien tijdvertraging wordt toegepast	Verwijder draad 1-2 indien thermostaat wordt toegepast
DANSK	Sikkerhedspressostat	Tidsforsinkelsesrelæ	Blå	Sort	Brun	Ved tidsforsinkelse fjernes ledning L-1	Ved termostat 2 fjernes ledning 1-2
SVENSKA	Säkerhetspressostat	Tidsfördröjningsrelä	Blå	Svart	Brun	Vid anslutning av tidfördröjningsrelä avlägsnas bygling L-1	Vid anslutning av termostat 2 avlägsnas bygling 1-2



SC Twin Compressors



	A	B	C	D	E	F	
ENGLISH	Safety pressure control	Time delay relay	Blue	Black	Brown	Remove wire L-1 if time delay is used	Remove wire 1-2 if thermostat 2 is used
中文	安全压力控制	延时继电器	蓝	黑	棕	若延时继电器使用, 线L-1不使用	若温控器2使用, 线1-2不使用
Русский	Предохранительное реле давления	Реле задержки времени	Синий	Чёрный	Коричневый	Отсоедините провод L-1, если используется реле задержки времени	Отсоедините провод 1-2, если используется термостат 2
DEUTSCH	Sicherheitsdruckschalter	Zeitrelais (verzögernd)	Blau	Schwarz	Braun	Bei Benutzung der Anlaufverzögerung Brücke L-1 entfernen	Bei Benutzung von Thermostat 2 Brücke 1-2 entfernen
FRANÇAIS	Pressostat	Relais de temporisation	Bleu	Noir	Marron	Supprimer la connection L-1 si le relais de temporisation est utilisé	Supprimer la connection 1-2 si thermostat 2 est utilisé
ESPAÑOL	Presostato de seguridad	Relé de retardo	Azul	Negro	Marrón	Quitar cable L-1, si se utiliza un relé de retardo	Quitar cable 1-2, si se utiliza el termostato 2
ITALIANO	Pressostato	Relè di ritardo avviam.	Blu	Nero	Marrone	Eliminare il cavo L-1 se è utilizzato il ritardatore	Eliminare il cavo 1-2 se è utilizzato il termostato 2
NEDERLANDS	Pressostaat	Tijdvertraging-relais	Blauw	Zwart	Bruin	Verwijder draad L-1 indien tijdvertraging wordt toegepast	Verwijder draad 1-2 indien thermostaat wordt toegepast
DANSK	Sikkerhedspressostat	Tidsforsinkel-sesrelæ	Blå	Sort	Brun	Ved tidsforsinkelse fjernes ledning L-1	Ved termostat 2 fjernes ledning 1-2
SVENSKA	Säkerhetspressostat	Tidsfördröjningsrelä	Blå	Svart	Brun	Vid anslutning av tidsfördröjningsrelä avlägsnas bygling L-1	Vid anslutning av termostat 2 avlägsnas bygling 1-2

Secop accepts no responsibility for possible errors in catalogs, brochures, and other printed material. Secop reserves the right to alter its products without notice. This also applies to products already on order provided that such alterations can be made without subsequent changes being necessary to specifications already agreed. All trademarks in this material are the property of the respective companies. Secop and the Secop logotype are trademarks of Secop GmbH. All rights reserved. www.secop.com