

Single Pack SC15CLX.2 220-240V 50Hz CSIR

Single pack code number: **195B4048**

Position	Title	Code	Amount
1	Compressor SC15CLX.2	104L2896	1
2	Starting relay	117U6019	1
3	Starting capacitor (80 μ F 220V, 6.3mm)	117U5017	1
4	Cord relief	103N1004	1
5	Cover	103N2009	1
6	Bolt joint for one compressor M6 \varnothing 16mm	118-1917	1

Secop GmbH • Lise-Meitner-Straße 29 • 24941 Flensburg, Germany • Tel: +49 461 4941 0 • www.secop.com

Secop accepts no responsibility for possible errors in catalogs, brochures, and other printed material. Secop reserves the right to alter its products without notice. This also applies to products already on order provided that such alterations can be made without subsequent changes being necessary to specifications already agreed. All trademarks in this material are the property of the respective companies. Secop and the Secop logotype are trademarks of Secop GmbH. All rights reserved.

Model

Designation	SC15CLX.2	220-240V/50Hz 1~	Sales code:	104L2896
-------------	------------------	------------------	-------------	-----------------

Compressor design

Oil type	Polyolester	Refrigerant(s)	R404A, R507
Oil viscosity	32cST	Displacement	15,28cm ³ / 0,93cu.in
Oil quantity	499cm ³ / 16,9fl.oz	Compressors on pallet	80
Refr. charge - tech. limit	1300g / 45,9oz		
Free gas volume comp.	1510cm ³ / 51,1fl.oz		
Weight	13,8kg / 30,4lbs		
Motor protection	1# internal		
Winding resistance main	3,7Ω (at 25°C)		
Winding resistance aux	14Ω (at 25°C)		
Max. winding temp.	125°C / 257°F		
Max. discharge temp.	135°C / 275°F		



General - Configurations with SC15CLX.2

	Conf. 1
Motorconfiguration	CSIR
Power supply (nominal)	220-240V/50Hz
Number of phases	1
Voltage range	198-254V
Approvals	CCC, VDE, EAC
Starting torque	HST
Note	- / -

Applications with SC15CLX.2

	Conf. 1
Refrigerant	R404A
Application	LBP
System cooling	fan 3m/s
Hot gas defrost	OK
Long interval pull down	OK

Electrical data - Configurations with SC15CLX.2

	Conf. 1
Starting device type	relay
Run capacitor	- / -
Start capacitor	80μF
LRA (locked rotor amps / 4s)	20,43A
RLA (rated load amps / 1s)	3,9A
Cut in current	20,43A

Model

Designation

SC15CLX.2

220-240V/50Hz 1~

Sales code:

104L2896

Compressor dimensions

Housing	A Height	219mm / 8,62in
	B Height	213mm / 8,39in
	C Length shell	218mm / 8,58in
	D Length w. cover	255mm / 10,04in
	E Width	151mm / 5,94in

Connectors	Suction X	Discharge Y	Process Z
Diameter [mm]	øi 10,11-10,29	øi 6,11-6,29	øi 6,11-6,29
(i:inside, o:outside) [in]	øi 0,4-0,41	øi 0,24-0,25	øi 0,24-0,25
Material	copper	copper	copper
Horizontal angle ±2°	37°	37°	143°
Vertical angle ±2°	30°	0°	150°
Position l/h/w [mm]	107/193/55	115/110/63	-107/193/55
[in]	4,2/7,6/2,2	4,5/4,3/2,5	-4,2/7,6/2,2
Straight tube l. [mm]	12	12	12
[in]	0,5	0,5	0,5



Compressor fixation



Bolt joint



Snap-on



Mounting accessories

Mounting accessories	one comp.	multi pack
Bolt joint M6 ø16mm	118-1917	118-1918
Bolt joint ø1/4" ø16mm	118-1946	
Bolt joint ø1/4" ø19mm	118-1949	
Snap-on ø7,3 ø16mm	118-1947	118-1919

Application notes

Provision for PE Grounding is located at the PE Stamp on the compressor

Model

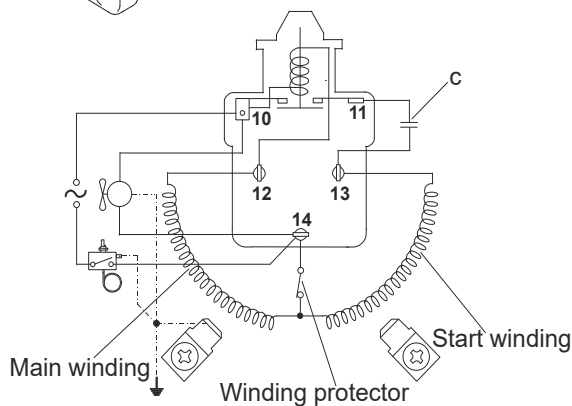
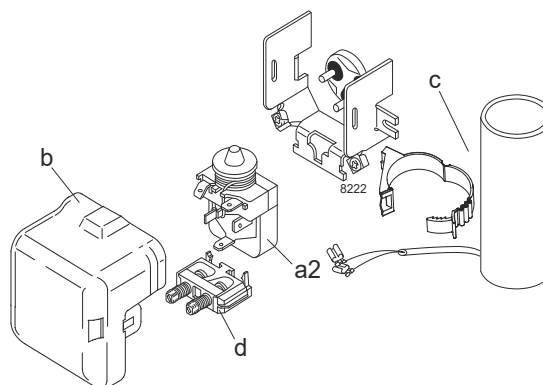
Designation	SC15CLX.2	220-240V/50Hz	Conf. 1	Sales code:	104L2896
-------------	------------------	----------------------	----------------	-------------	-----------------

Configuration

Motorconfiguration	CSIR
Power supply (nominal)	220-240V/50Hz 1~
Refrigerant	R404A
Application	LBP
Voltage range	198-254V
Starting torque	HST
Approvals	CCC VDE EAC

Electrical accessories / wiring diagram

CSIR



Ambient/ machine room temperatures minimum /maximum

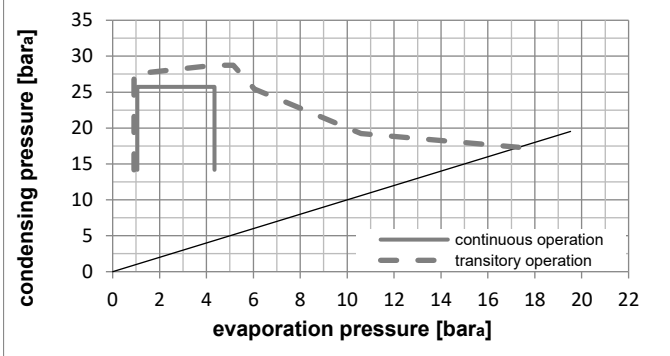
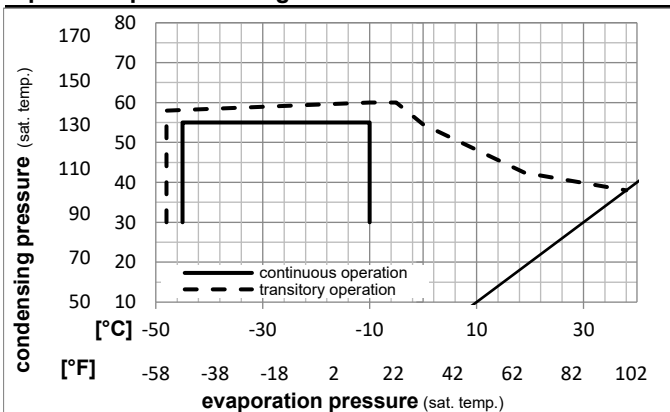
Ambient temperature range: 10 - 38°C / 50 - 101°F

Machine room temperature range: 10 - 43°C / 50 - 110°F

Compressor cooling: fan 3m/s

Operation Limits

Operation pressure range



Components

a2	relay	117U6019
c	start capacitor (80μF)	117U5017
d	cord relief	103N1004
b	plastic cover	103N2009

Model

Designation **SC15CLX.2** **220-240V/50Hz** Conf. 1 Sales code: **104L2896**

Optimization + standard conditions

R404A, 220V/50Hz, CSIR, fan 3m/s, CCC, VDE, EAC

		Evaporating pressure (saturation temperature)				Condensing pressure (saturation temperature)			Return gas temp.			Liquid temp.			Cooling capacity			COP	EER	Power consumption			
		pe	pc	RGT	Tliq	[W]	[Btu/h]	[kcal/h]	[W/W]	[Btu/Wh]	[kcal/Wh]	P1	I	Ref. mass flow									
[°C]	[°F]											[W]	[A]	[kg/h]									
-23	-10	54	130	32	90	722,1	2466	621,4	1,18	4,03	1,01	612,4	3,85	16,82								ASHRAE LBP	
-25	-13	55	131	32	90	486,1	1660	418,3	0,83	2,82	0,71	588,0	3,77	15,19								cecomaf LBP	
-35	-31	40	104	20	68	392,3	1340	337,6	0,91	3,11	0,78	430,8	3,30	10,66								EN12900 LBP	
-23	-10	49	120	4,4	40	545,6	1863	469,5	0,91	3,12	0,79	597,4	3,83	19,32								ARI540 LBP	
-23	-10	41	105	32	90	834,8	2851	718,4	1,45	4,94	1,25	576,8	3,77	19,45								AHAM LBP	
-35	-31	45	113	32	90	358,3	1224	308,3	0,83	2,83	0,71	433,0	3,31	9,58								opt	

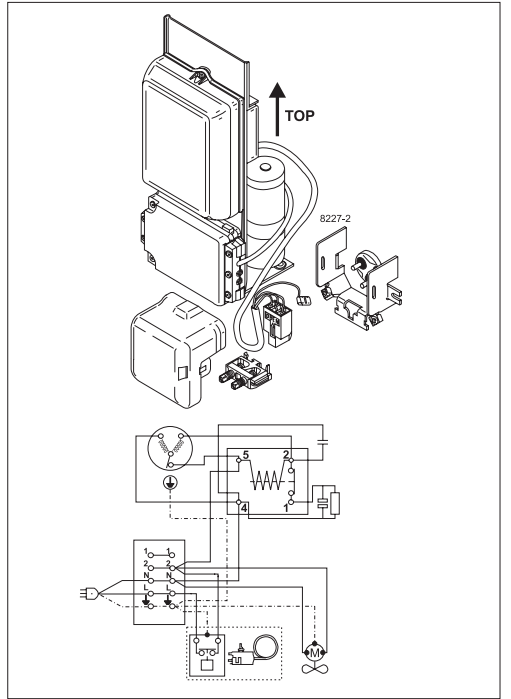
Performance tables

R404A, 220V/50Hz, CSIR, fan 3m/s, CCC, VDE, EAC

	pe		Cooling capacity			COP	EER	P1	I	m	
	[°C]	[°F]	[W]	[Btu/h]	[kcal/h]	[W/W]	[Btu/Wh]	[kcal/Wh]	[W]	[A]	[kg/h]
[°C / °F]	-45	-49	158,9	543	136,7	0,53	1,80	0,45	300,8	2,91	4,22
cond. pressure	-35	-31	358,3	1224	308,3	0,83	2,83	0,71	433,0	3,31	9,58
pc= 45/113	-30	-22	486,4	1661	418,6	0,98	3,33	0,84	498,3	3,51	13,06
return gas temp.	-25	-13	637,0	2175	548,2	1,13	3,85	0,97	564,8	3,73	17,18
RGT= 32/90	-20	-4	812,9	2776	699,6	1,28	4,38	1,10	633,6	3,95	22,05
liquid temp	-15	5	1016,8	3473	875,1	1,44	4,92	1,24	706,0	4,18	27,78
Tliq= 45/113	-10	14	1251,4	4274	1077,0	1,60	5,46	1,37	783,3	4,42	34,46
[°C / °F]	-45	-49	76,1	260	65,5	0,28	0,95	0,24	273,6	2,82	2,34
cond. pressure	-35	-31	248,9	850	214,2	0,57	1,96	0,49	433,4	3,28	7,70
pc= 55/131	-30	-22	358,1	1223	308,2	0,70	2,39	0,60	510,7	3,52	11,13
return gas temp	-25	-13	486,1	1660	418,3	0,83	2,82	0,71	588,0	3,77	15,19
RGT= 32/90	-20	-4	635,6	2171	547,0	0,95	3,26	0,82	666,4	4,03	20,00
liquid temp	-15	5	809,3	2764	696,5	1,08	3,70	0,93	747,2	4,29	25,67
Tliq= 55/131	-10	14	1010,0	3449	869,3	1,21	4,15	1,05	831,7	4,56	32,33



SC Compressors





SC Compressors

Service/Repair – R290



8545



Secop accepts no responsibility for possible errors in catalogs, brochures, and other printed material. Secop reserves the right to alter its products without notice. This also applies to products already on order provided that such alterations can be made without subsequent changes being necessary to specifications already agreed. All trademarks in this material are the property of the respective companies. Secop and the Secop logotype are trademarks of Secop GmbH. All rights reserved. www.secop.com