

Single Pack NF7MLX 220-240V 50Hz / 208-230V 60Hz CSIR

Single pack code number: **195B4082**

Position	Title	Code	Amount
1	Compressor NF7MLX	105F3720	1
2	Starting relay (overload protector MRP56EN-6)	117U4139	1
3	Starting capacitor (125 μ F 220V, 6.3mm)	117U5018	1
4	Cord relief	117U0349	2
5	Cover	117U1021	1
6	Bolt joint for one compressor M6 \varnothing 16mm	118-1917	1

Secop GmbH • Lise-Meitner-Straße 29 • 24941 Flensburg, Germany • Tel: +49 461 4941 0 • www.secop.com

Secop accepts no responsibility for possible errors in catalogs, brochures, and other printed material. Secop reserves the right to alter its products without notice. This also applies to products already on order provided that such alterations can be made without subsequent changes being necessary to specifications already agreed. All trademarks in this material are the property of the respective companies. Secop and the Secop logotype are trademarks of Secop GmbH. All rights reserved.

Model

Designation	NF7MLX	220-240V/50Hz 1~ 208-230V/60Hz 1~	Sales code:	105F3720
-------------	---------------	--	-------------	-----------------

Compressor design

Oil type	Polyolester	Refrigerant(s)	R404A, R452A, R507
Oil viscosity	32cST	Displacement	7,27cm ³ / 0,44cu.in
Oil quantity	300cm ³ / 10,1fl.oz	Compressors on pallet	80
Refr. charge - tech. limit	400g / 14,1oz		
Free gas volume comp.	2310cm ³ / 78,1fl.oz		
Weight	10,5kg / 23,1lbs		
Motor protection	external		
Winding resistance main	4,5Ω (at 25°C)		
Winding resistance aux	12,8Ω (at 25°C)		
Max. winding temp.	125°C / 257°F		
Max. discharge temp.	130°C / 266°F		



General - Configurations with NF7MLX

	Conf. 1	Conf. 2	Conf. 3	Conf. 4
Motorconfiguration	CSIR	CSIR	CSIR	CSIR
Power supply (nominal)	220-240V/50Hz	208-230V/60Hz	220-240V/50Hz	208-230V/60Hz
Number of phases	1	1	1	1
Voltage range	187-254V	187-254V	187-254V	187-254V
Approvals	VDE, CCC, EAC, KC	VDE, CCC, EAC, KC	VDE, CCC, EAC, KC	VDE, CCC, EAC, KC
Starting torque	HST	HST	HST	HST
Note	- / -			

Applications with NF7MLX

	Conf. 1	Conf. 2	Conf. 3	Conf. 4
Refrigerant	R404A	R404A	R452A	R452A
Application	MBP	MBP	MBP	MBP
System cooling	fan 3m/s	fan 3m/s	fan 3m/s	fan 3m/s
Hot gas defrost	-/-	-/-	-/-	-/-
Long interval pull down	OK	OK	OK	OK

Electrical data - Configurations with NF7MLX

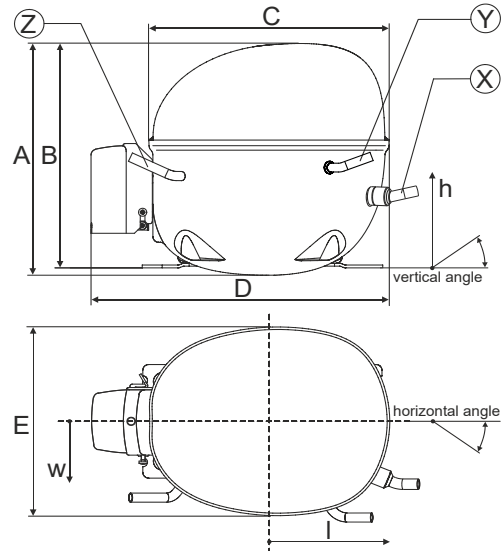
	Conf. 1	Conf. 2	Conf. 3	Conf. 4
Starting device type	relay	relay	relay	relay
Run capacitor	-/-	-/-	-/-	-/-
Start capacitor	125μF	125μF	125μF	125μF
LRA (locked rotor amps / 4s)	20A	19,4A	20A	19,4A
RLA (rated load amps / 1s)	3,7A	3,24A	3,7A	3,24A
Cut in current	20A	19,4A	20A	19,4A

Model

Designation **NF7MLX** 220-240V/50Hz 1~ 208-230V/60Hz 1~ Sales code: **105F3720**

Compressor dimensions

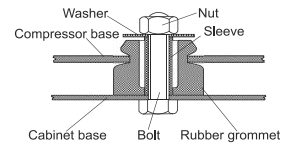
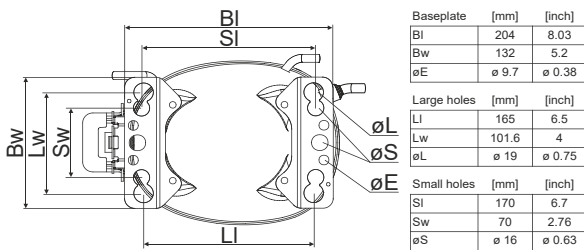
Housing	A Height	203mm / 7,99in
	B Height	197mm / 7,76in
	C Length shell	205mm / 8,07in
	D Length w. cover	254mm / 10in
	E Width	166mm / 6,54in



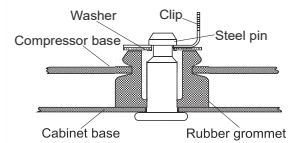
Connectors		Suction	Discharge	Process
		X	Y	Z
Diameter	[mm]	øi 9,61-9,79	øi 6,41-6,59	øi 6,41-6,59
(i:inside, o:outside)	[in]	øi 0,38-0,39	øi 0,25-0,26	øi 0,25-0,26
Material		copper	copper	copper
Horizontal angle	±2°	0°	0°	0°
Vertical angle	±2°	15°	35°	155°
Position l/h/w	[mm]	126/76/78	133/103/54	-107/94/72
	[in]	4,9/3/3,1	5,2/4/2,1	-4,2/3,7/2,8
Straight tube l.	[mm]	12	12	12
	[in]	0,5	0,5	0,5

Compressor fixation

Bolt joint



Snap-on



Mounting accessories

	one comp.	multi pack
Bolt joint M6 ø16mm	118-1917	118-1918
Bolt joint ø1/4" ø16mm	118-1946	
Bolt joint ø1/4" ø19mm	118-1949	
Snap-on ø7,3 ø16mm	118-1947	118-1919

Application notes

LRA value on compressor label and datasheet may differ due to different test conditions for UL approval.

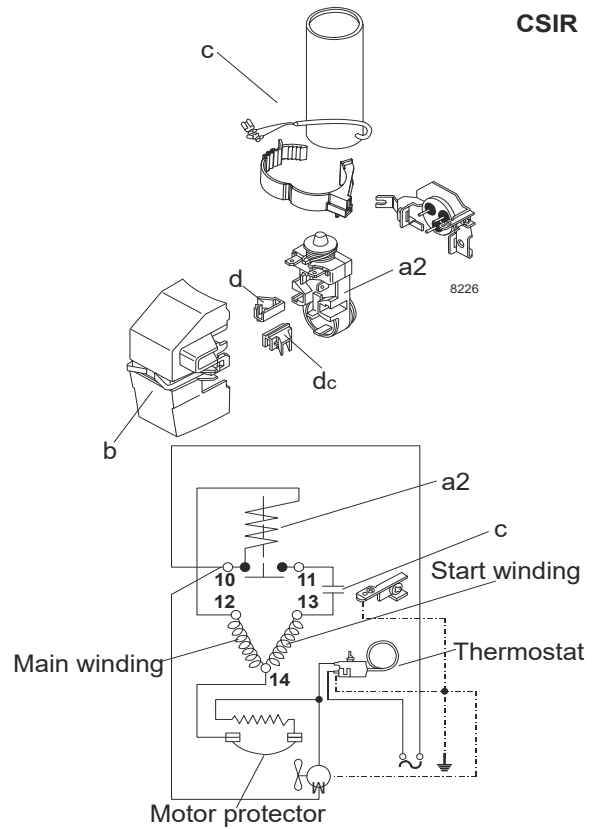
Model

Designation	NF7MLX	220-240V/50Hz	Conf. 1	Sales code:	105F3720
-------------	---------------	----------------------	----------------	-------------	-----------------

Configuration

Motorconfiguration	CSIR
Power supply (nominal)	220-240V/50Hz 1~
Refrigerant	R404A
Application	MBP
Voltage range	187-254V
Starting torque	HST
Approvals	VDE
	CCC
	EAC
	KC

Electrical accessories / wiring diagram

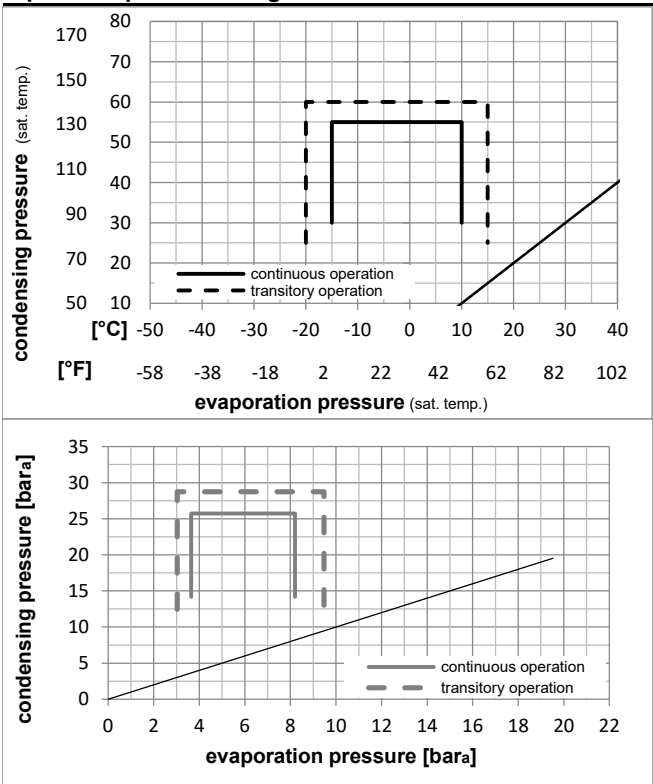


Ambient temperatures / system cooling

Ambient temperature min.:	10°C / 50°F
Ambient temperature max.:	43°C / 110°F

System cooling (n/a: outside limits)			
T ambient	LBP	MBP	HBP
32°C / 90°F	n/a	fan 3m/s	n/a
38°C / 100°F	n/a	fan 3m/s	n/a
43°C / 110°F	n/a	fan 3m/s	n/a

Operation pressure range



Components

a2	relay (protector: TI MRP56EN-6)	117U4139
c	start capacitor	117U5018
b	plastic cover	117U1021
d/dc	cord relief	117U0349
d/dc	cord relief	117U0349

Alternative components

a2	relay (protector: TI MRP56EN-6)	117U4139
c	start capacitor	117U5018
b	plastic cover	117U1021
d/dc	cord relief	117U0349
d	cord relief	117U0317

Model

Designation **NF7MLX 220-240V/50Hz** Conf. 1 Sales code: **105F3720**

Optimization + standard conditions

R404A, 220V/50Hz, CSIR, fan 3m/s, VDE, CCC, EAC, KC

Evaporating pressure (saturation temperature)		Condensing pressure (saturation temperature)			Return gas temp.		Liquid temp.		Cooling capacity	COP	EER	Power consumption		Ref. mass flow			
pe	pc	RGT	Tliq	[W]	[Btu/h]	[kcal/h]	[W/W]	[Btu/Wh]				[kcal/Wh]	P1			I	m
[°C]	[°F]	[°C]	[°F]	[W]	[Btu/h]	[kcal/h]	[W/W]	[Btu/Wh]	[kcal/Wh]	[W]	[A]	[kg/h]					
-6,66	20	54,4	130	35	95	46,1	115	682,4	2330	587,3	1,49	5,08	1,28	458,7	3,24	18,78	ASHRAE MBP
-10	14	55	131	32	89,6	55	131	506,8	1731	436,2	1,16	3,97	1,00	436,5	3,17	16,22	cecomaf MBP
-10	14	45	113	20	68	45	113	598,0	2042	514,7	1,47	5,04	1,27	405,5	3,10	18,01	EN12900 MBP
-6,66	20	48,9	120	18,3	65	48,9	120	622,8	2127	536,0	1,42	4,85	1,22	438,5	3,20	20,35	ARI540 MBP
-10	14	45	113	32	89,6	45	113	634,7	2168	546,2	1,57	5,35	1,35	405,5	3,10	17,48	opt
-25	-13	45	113	32	89,6	45	113	311,7	1065	268,3	1,02	3,50	0,88	304,4	2,84	8,41	opt

Performance tables

R404A, 220V/50Hz, CSIR, fan 3m/s, VDE, CCC, EAC, KC

	pe	Cooling capacity			COP	EER	P1	I	m		
	[°C]	[°F]	[W]	[Btu/h]	[kcal/h]	[W/W]	[Btu/Wh]	[kcal/Wh]	[W]	[A]	[kg/h]
[°C / °F]	-15	5	511,1	1746	439,9	1,37	4,67	1,18	373,7	3,01	13,96
cond. pressure	-10	14	634,7	2168	546,2	1,57	5,35	1,35	405,5	3,10	17,48
pc= 45/113	-6,7	20	726,3	2480	625,1	1,71	5,83	1,47	425,4	3,17	20,12
return gas temp.	0	32	939,8	3209	808,8	2,03	6,93	1,75	462,8	3,29	26,42
RGT= 32/90	5	41	1125,4	3844	968,6	2,31	7,88	1,98	487,9	3,39	32,06
liquid temp	7,2	45	1214,9	4149	1045,5	2,44	8,33	2,10	498,2	3,43	34,84
Tliq= 45/113	10	50	1335,9	4562	1149,7	2,62	8,94	2,25	510,6	3,49	38,66
[°C / °F]	-15	5	403,5	1378	347,3	1,01	3,46	0,87	398,6	3,06	12,80
cond. pressure	-10	14	506,8	1731	436,2	1,16	3,97	1,00	436,5	3,17	16,22
pc= 55/131	-6,7	20	583,2	1992	501,9	1,27	4,32	1,09	460,6	3,25	18,80
return gas temp	0	32	760,9	2599	654,8	1,50	5,13	1,29	506,8	3,40	24,95
RGT= 32/90	5	41	915,8	3128	788,2	1,70	5,80	1,46	538,9	3,52	30,50
liquid temp	7,2	45	990,6	3383	852,5	1,79	6,13	1,54	552,3	3,58	33,24
Tliq= 55/131	10	50	1092,0	3730	939,8	1,92	6,56	1,65	568,7	3,65	37,04

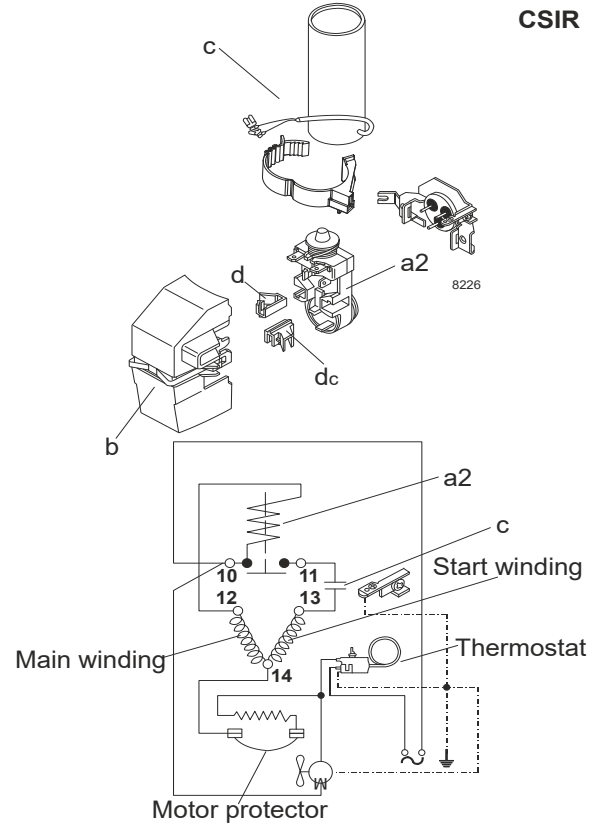
Model

Designation	NF7MLX	208-230V/60Hz	Conf. 2	Sales code:	105F3720
-------------	---------------	----------------------	----------------	-------------	-----------------

Configuration

Motorconfiguration	CSIR
Power supply (nominal)	208-230V/60Hz 1~
Refrigerant	R404A
Application	MBP
Voltage range	187-254V
Starting torque	HST
Approvals	VDE
	CCC
	EAC
	KC

Electrical accessories / wiring diagram

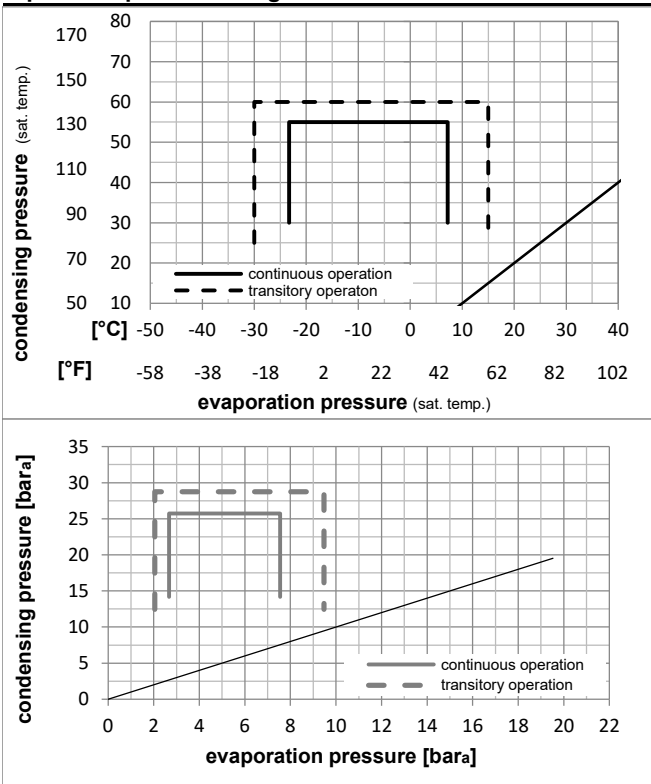


Ambient temperatures / system cooling

Ambient temperature min.:	10°C / 50°F
Ambient temperature max.:	43°C / 110°F

System cooling (n/a: outside limits)			
T ambient	LBP	MBP	HBP
32°C / 90°F	n/a	fan 3m/s	n/a
38°C / 100°F	n/a	fan 3m/s	n/a
43°C / 110°F	n/a	fan 3m/s	n/a

Operation pressure range



Components

a2	relay (protector: TI MRP56EN-6)	117U4139
c	start capacitor	117U5018
b	plastic cover	117U1021
d/dc	cord relief	117U0349
d/dc	cord relief	117U0349

Alternative components

a2	relay (protector: TI MRP56EN-6)	117U4139
c	start capacitor	117U5018
b	plastic cover	117U1021
d/dc	cord relief	117U0349
d	cord relief	117U0317

Model

Designation **NF7MLX 208-230V/60Hz** Conf. 2 Sales code: **105F3720**

Optimization + standard conditions

R404A, 230V/60Hz, CSIR, fan 3m/s, VDE, CCC, EAC, KC

		Evaporating pressure (saturation temperature)				Condensing pressure (saturation temperature)						Power consumption			
		Return gas temp.				Liquid temp.						Current consumption		Ref. mass flow	
		Cooling capacity						COP	EER		P1	I	m		
	pe	pc	RGT	Tliq	[W]	[Btu/h]	[kcal/h]	[W/W]	[Btu/Wh]	[kcal/Wh]	[W]	[A]	[kg/h]		
[°C]	-6,7	54,4	35	46,1	825,7	2820	710,6	1,56	5,33	1,34	529,1	3,02	22,72	ASHRAE MBP	
[°F]	20	130	95	115											
[°C]	-10	55	32	55	613,2	2094	527,8	1,24	4,23	1,06	495,6	2,90	19,63	cecomaf MBP	
[°F]	14	131	89,6	131											
[°C]	-10	45	20	45	723,6	2471	622,7	1,53	5,23	1,32	472,8	2,78	21,80	EN12900 MBP	
[°F]	14	113	68	113											
[°C]	-6,7	48,9	18,3	48,9	753,6	2574	648,6	1,46	4,99	1,26	515,5	2,95	24,63	ARI540 MBP	
[°F]	20	120	65	120											
[°C]	-10	45	32	45	768,0	2623	660,9	1,62	5,55	1,40	472,8	2,78	21,15	opt	
[°F]	14	113	89,6	113											
[°C]	-25	45	32	45	377,2	1288	324,6	1,09	3,74	0,94	344,9	2,32	10,17	opt	
[°F]	-13	113	89,6	113											

Performance tables

R404A, 230V/60Hz, CSIR, fan 3m/s, VDE, CCC, EAC, KC

	pe	Cooling capacity			COP	EER		P1	I	m	
	[°C]	[°F]	[W]	[Btu/h]	[kcal/h]	[W/W]	[Btu/Wh]	[kcal/Wh]	[W]	[A]	[kg/h]
[°C / °F]	-23	-10	413,4	1412	355,8	1,15	3,94	0,99	358,5	2,37	11,17
cond. pressure	-20	-4	489,0	1670	420,9	1,27	4,33	1,09	385,4	2,47	13,27
pc= 45/113	-15	5	618,5	2112	532,3	1,45	4,94	1,24	427,8	2,62	16,89
return gas temp.	-10	14	768,0	2623	660,9	1,62	5,55	1,40	472,8	2,78	21,15
RGT= 32/90	-5	23	940,0	3210	809,0	1,80	6,16	1,55	520,9	2,94	26,13
liquid temp	0	32	1137,1	3883	978,6	1,98	6,78	1,71	572,9	3,11	31,97
Tliq= 45/113	7,2	45	1470,0	5020	1265,1	2,24	7,65	1,93	655,8	3,35	42,15
[°C / °F]	-23	-10	314,5	1074	270,7	0,85	2,91	0,73	368,5	2,38	9,85
cond. pressure	-20	-4	379,1	1295	326,2	0,95	3,25	0,82	398,7	2,51	11,93
pc= 55/131	-15	5	488,2	1667	420,2	1,09	3,74	0,94	446,0	2,70	15,48
return gas temp	-10	14	613,2	2094	527,8	1,24	4,23	1,06	495,6	2,90	19,63
RGT= 32/90	-5	23	756,6	2584	651,1	1,38	4,71	1,19	548,2	3,10	24,49
liquid temp	0	32	920,7	3144	792,4	1,52	5,20	1,31	604,5	3,30	30,19
Tliq= 55/131	7,2	45	1198,6	4094	1031,6	1,73	5,91	1,49	693,1	3,60	40,23

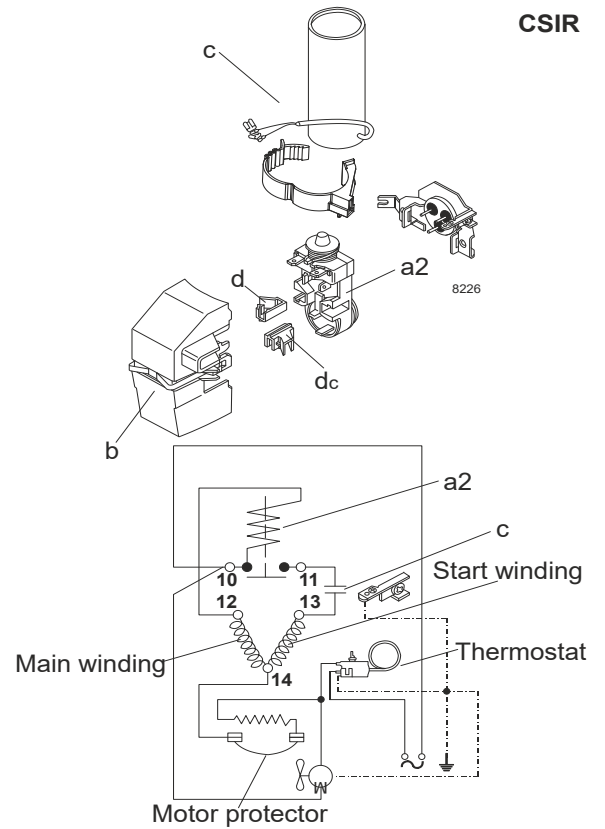
Model

Designation	NF7MLX	220-240V/50Hz	Conf. 3	Sales code:	105F3720
-------------	---------------	----------------------	----------------	-------------	-----------------

Configuration

Motorconfiguration	CSIR
Power supply (nominal)	220-240V/50Hz 1~
Refrigerant	R452A
Application	MBP
Voltage range	187-254V
Starting torque	HST
Approvals	VDE
	CCC
	EAC
	KC

Electrical accessories / wiring diagram

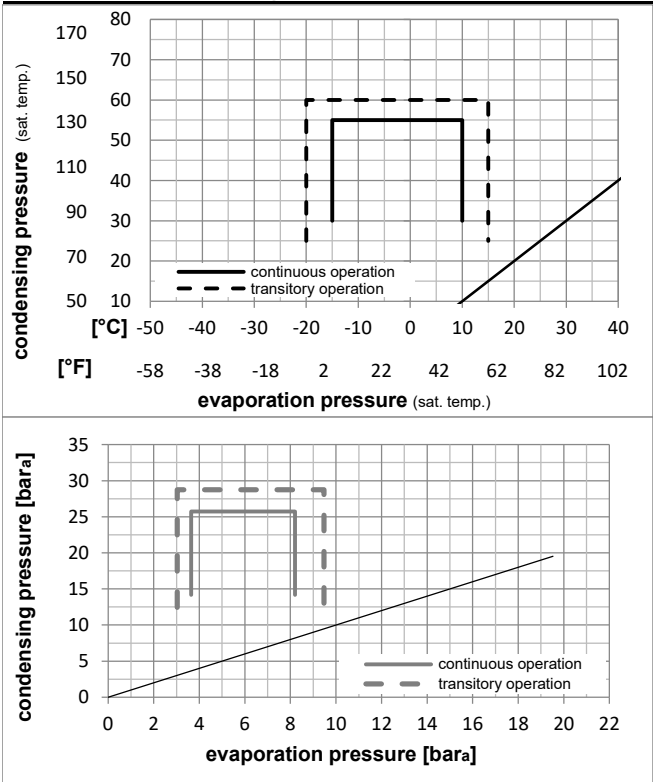


Ambient temperatures / system cooling

Ambient temperature min.:	10°C / 50°F
Ambient temperature max.:	43°C / 110°F

System cooling (n/a: outside limits)			
T ambient	LBP	MBP	HBP
32°C / 90°F	n/a	fan 3m/s	n/a
38°C / 100°F	n/a	fan 3m/s	n/a
43°C / 110°F	n/a	fan 3m/s	n/a

Operation pressure range



Components

a2	relay (protector: TI MRP56EN-6)	117U4139
c	start capacitor	117U5018
b	plastic cover	117U1021
d/dc	cord relief	117U0349
d/dc	cord relief	117U0349

Alternative components

a2	relay (protector: TI MRP56EN-6)	117U4139
c	start capacitor	117U5018
b	plastic cover	117U1021
d/dc	cord relief	117U0349
d	cord relief	117U0317

Model

Designation **NF7MLX 220-240V/50Hz** Conf. **3** Sales code: **105F3720**

Optimization + standard conditions

R452A, 220V/50Hz, CSIR, fan 3m/s, VDE, CCC, EAC, KC

Evaporating pressure (saturation temperature)		Condensing pressure (saturation temperature)			Return gas temp.		Liquid temp.		Cooling capacity	COP	EER	Power consumption		Ref. mass flow		
pe	pc	RGT	Tliq	[W]	[Btu/h]	[kcal/h]	[W/W]	[Btu/Wh]				[kcal/Wh]	P1			I
[°C]	[°F]	[°C]	[°F]	[W]	[Btu/h]	[kcal/h]	[W/W]	[Btu/Wh]	[kcal/Wh]	[W]	[A]	[kg/h]				
-6,66	20	54,4	130	35	46,1	115	645,8	2206	555,8	1,49	5,10	1,28	432,8	3,21	18,17	ASHRAE MBP
-10	14	55	131	32	55	131	480,5	1641	413,5	1,17	4,00	1,01	410,1	3,14	15,62	cecomaf MBP
-10	14	45	113	20	45	113	564,9	1929	486,2	1,48	5,05	1,27	381,9	3,06	17,36	EN12900 MBP
-6,66	20	48,9	120	18,3	48,9	120	592,4	2023	509,8	1,43	4,88	1,23	414,3	3,15	19,65	ARI540 MBP
-10	14	45	113	32	45	113	598,6	2044	515,2	1,57	5,35	1,35	381,9	3,06	16,87	opt
-25	-13	45	113	32	45	113	287,2	981	247,2	1,02	3,49	0,88	281,2	2,77	7,94	opt

Performance tables

R452A, 220V/50Hz, CSIR, fan 3m/s, VDE, CCC, EAC, KC

	pe	Cooling capacity			COP	EER	P1	I	m		
	[°C]	[°F]	[W]	[Btu/h]	[kcal/h]	[W/W]	[Btu/Wh]	[kcal/Wh]	[W]	[A]	[kg/h]
[°C / °F]	-15	5	478,9	1635	412,1	1,37	4,67	1,18	349,8	2,97	13,40
cond. pressure	-10	14	598,6	2044	515,2	1,57	5,35	1,35	381,9	3,06	16,87
pc= 45/113	-6,7	20	687,8	2349	591,9	1,71	5,84	1,47	402,1	3,12	19,48
return gas temp.	0	32	896,4	3062	771,5	2,03	6,94	1,75	440,9	3,23	25,73
RGT= 32/90	5	41	1078,7	3684	928,4	2,31	7,88	1,99	467,6	3,31	31,33
liquid temp	7,2	45	1166,8	3985	1004,1	2,44	8,32	2,10	478,7	3,34	34,09
Tliq= 45/113	10	50	1286,1	4392	1106,8	2,61	8,92	2,25	492,2	3,38	37,88
[°C / °F]	-15	5	379,5	1296	326,6	1,02	3,48	0,88	372,0	3,03	12,23
cond. pressure	-10	14	480,5	1641	413,5	1,17	4,00	1,01	410,1	3,14	15,62
pc= 55/131	-6,7	20	555,5	1897	478,1	1,28	4,37	1,10	434,4	3,21	18,17
return gas temp	0	32	731,1	2497	629,2	1,52	5,18	1,31	481,8	3,35	24,28
RGT= 32/90	5	41	885,0	3022	761,7	1,72	5,87	1,48	515,2	3,45	29,79
liquid temp	7,2	45	959,5	3277	825,8	1,81	6,19	1,56	529,4	3,49	32,52
Tliq= 55/131	10	50	1060,7	3623	912,9	1,94	6,62	1,67	546,9	3,54	36,29

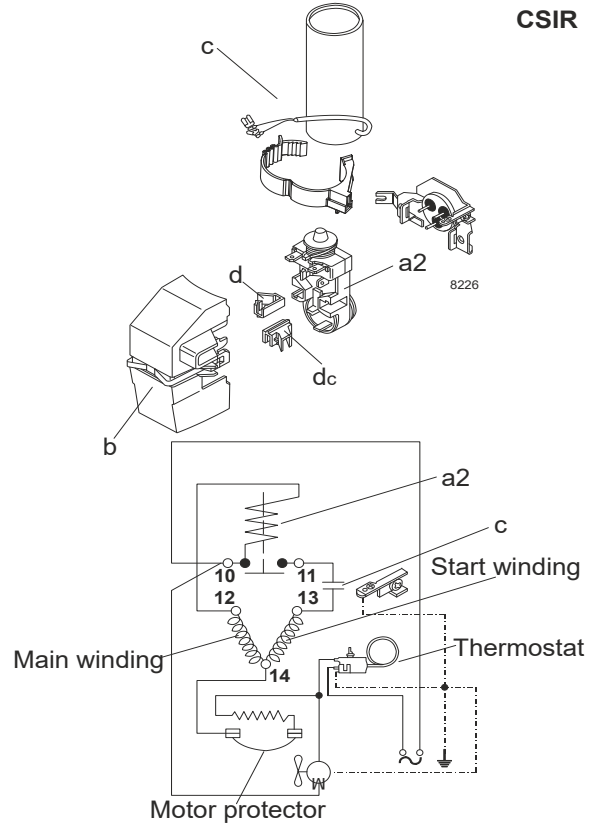
Model

Designation	NF7MLX	208-230V/60Hz	Conf. 4	Sales code:	105F3720
-------------	---------------	----------------------	----------------	-------------	-----------------

Configuration

Motorconfiguration	CSIR
Power supply (nominal)	208-230V/60Hz 1~
Refrigerant	R452A
Application	MBP
Voltage range	187-254V
Starting torque	HST
Approvals	VDE
	CCC
	EAC
	KC

Electrical accessories / wiring diagram

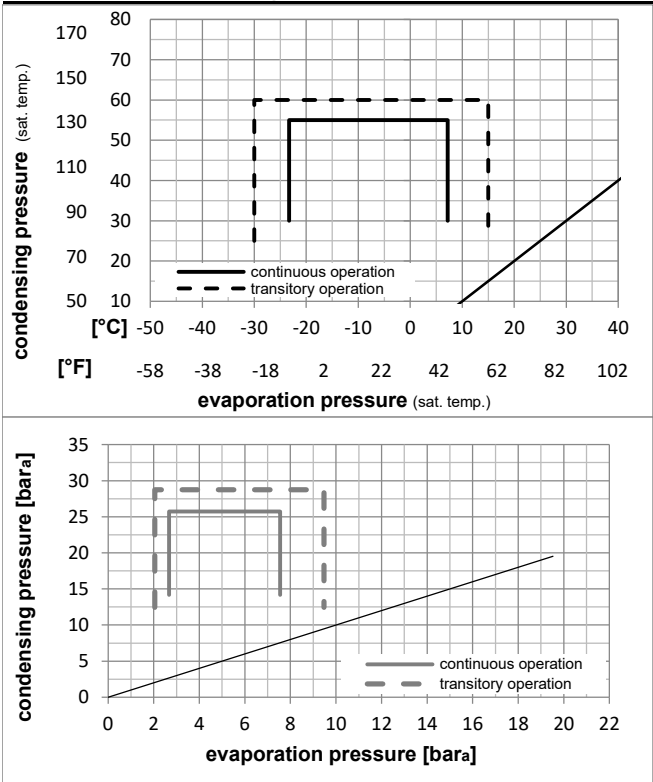


Ambient temperatures / system cooling

Ambient temperature min.:	10°C / 50°F
Ambient temperature max.:	43°C / 110°F

System cooling (n/a: outside limits)			
T ambient	LBP	MBP	HBP
32°C / 90°F	n/a	fan 3m/s	n/a
38°C / 100°F	n/a	fan 3m/s	n/a
43°C / 110°F	n/a	fan 3m/s	n/a

Operation pressure range



Components

a2	relay (protector: TI MRP56EN-6)	117U4139
c	start capacitor	117U5018
b	plastic cover	117U1021
d/dc	cord relief	117U0349
d/dc	cord relief	117U0349

Alternative components

a2	relay (protector: TI MRP56EN-6)	117U4139
c	start capacitor	117U5018
b	plastic cover	117U1021
d/dc	cord relief	117U0349
d	cord relief	117U0317

Model

Designation **NF7MLX 208-230V/60Hz** Conf. 4 Sales code: **105F3720**

Optimization + standard conditions

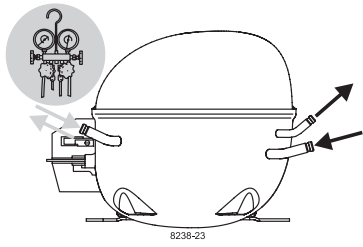
R452A, 230V/60Hz, CSIR, fan 3m/s, VDE, CCC, EAC, KC

	Evaporating pressure (saturation temperature)				Condensing pressure (saturation temperature)						Power consumption			ASHRAE MBP				
	pe	pc	RGT	Tliq	W	[Btu/h]	[kcal/h]	COP	EER	[kcal/Wh]	P1	I	Ref. mass flow m					
	[°C]	[°F]	[°C]	[°F]	[W]	[Btu/h]	[kcal/h]	[W/W]	[Btu/Wh]	[kcal/Wh]	[W]	[A]	[kg/h]					
	-6,66	20	54,4	130	35	95	46,1	115	780,3	2665	671,5	1,56	5,31	1,34	501,4	2,89	21,95	
	-10	14	55	131	32	89,6	55	131	580,5	1983	499,6	1,24	4,24	1,07	467,8	2,77	18,87	cecomaf MBP
	-10	14	45	113	20	68	45	113	682,8	2332	587,6	1,53	5,22	1,32	446,6	2,70	20,98	EN12900 MBP
	-6,66	20	48,9	120	18,3	65	48,9	120	715,9	2445	616,1	1,47	5,00	1,26	488,6	2,84	23,75	ARI540 MBP
	-10	14	45	113	32	89,6	45	113	723,5	2471	622,7	1,62	5,53	1,39	446,6	2,70	20,39	opt
	-25	-13	45	113	32	89,6	45	113	347,2	1186	298,8	1,08	3,71	0,93	320,0	2,25	9,60	opt

Performance tables

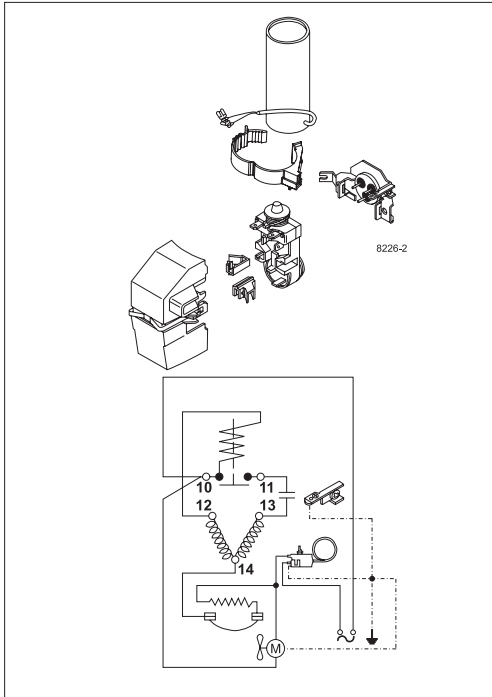
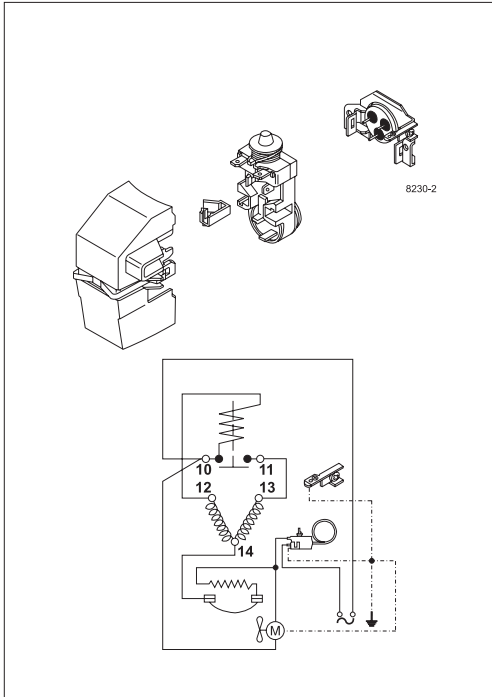
R452A, 230V/60Hz, CSIR, fan 3m/s, VDE, CCC, EAC, KC

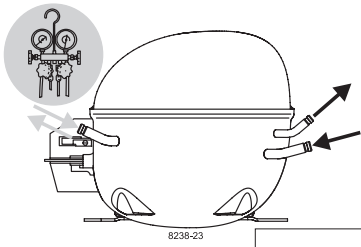
	pe	Cooling capacity			COP	EER	P1	I	m		
	[°C]	[°F]	[W]	[Btu/h]	[kcal/h]	[W/W]	[Btu/Wh]	[kcal/Wh]	[W]	[A]	[kg/h]
[°C / °F]	-23,3	-10	381,8	1304	328,6	1,15	3,91	0,99	333,4	2,30	10,58
cond. pressure	-20	-4	454,2	1551	390,9	1,26	4,31	1,09	359,9	2,39	12,63
pc= 45/113	-15	5	578,8	1977	498,1	1,44	4,92	1,24	401,9	2,54	16,19
return gas temp.	-10	14	723,5	2471	622,7	1,62	5,53	1,39	446,6	2,70	20,39
RGT= 32/90	-5	23	891,1	3043	766,9	1,80	6,15	1,55	494,6	2,86	25,32
liquid temp	0	32	1084,0	3702	932,9	1,98	6,78	1,71	546,4	3,05	31,11
Tliq= 45/113	7,2	45	1411,7	4821	1215,0	2,24	7,66	1,93	629,0	3,34	41,24
[°C / °F]	-23,3	-10	290,9	993	250,3	0,85	2,91	0,73	341,1	2,33	9,27
cond. pressure	-20	-4	353,0	1205	303,8	0,95	3,25	0,82	371,2	2,43	11,30
pc= 55/131	-15	5	458,6	1566	394,7	1,10	3,74	0,94	418,2	2,60	14,78
return gas temp	-10	14	580,5	1983	499,6	1,24	4,24	1,07	467,8	2,77	18,87
RGT= 32/90	-5	23	721,3	2463	620,7	1,39	4,73	1,19	520,4	2,96	23,67
liquid temp	0	32	883,5	3017	760,3	1,53	5,23	1,32	576,7	3,15	29,33
Tliq= 55/131	7,2	45	1160,1	3962	998,4	1,74	5,95	1,50	665,4	3,46	39,32



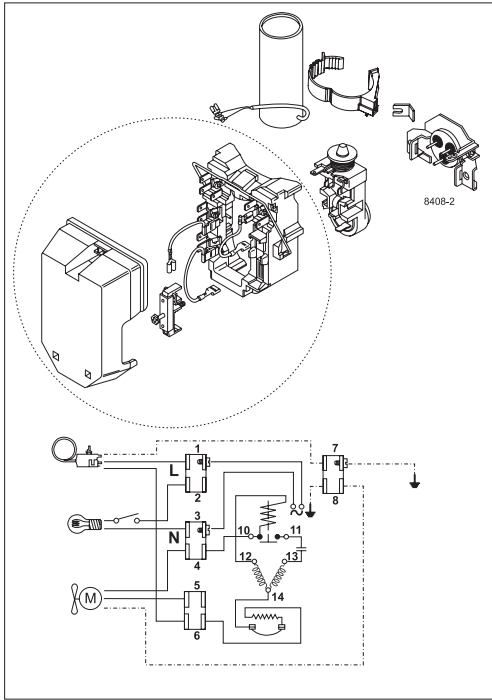
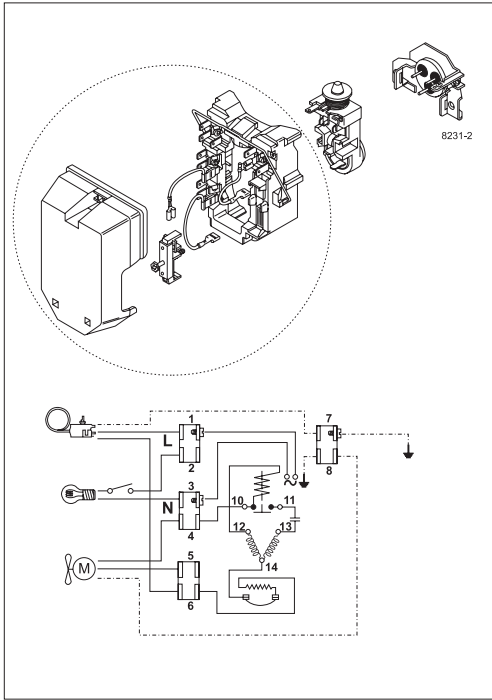
8238-23

NF Compressors





8238-23



Secop accepts no responsibility for possible errors in catalogs, brochures, and other printed material. Secop reserves the right to alter its products without notice. This also applies to products already on order provided that such alterations can be made without subsequential changes being necessary to specifications already agreed. All trademarks in this material are the property of the respective companies. Secop and the Secop logotype are trademarks of Secop GmbH. All rights reserved. www.secop.com