

## Single Pack SC18CLX.2 115V 60Hz CSCR

Single pack code number: **195B4115**

Position	Title	Code	Amount
1	Compressor SC18CLX.2	104L2198	1
2	SC starting device (600mm)	117-7045	1
3	Bolt joint for one compressor   M6   ø16mm	118-1917	1

**Secop GmbH** • Lise-Meitner-Straße 29 • 24941 Flensburg, Germany • Tel: +49 461 4941 0 • [www.secop.com](http://www.secop.com)

Secop accepts no responsibility for possible errors in catalogs, brochures, and other printed material. Secop reserves the right to alter its products without notice. This also applies to products already on order provided that such alterations can be made without subsequent changes being necessary to specifications already agreed. All trademarks in this material are the property of the respective companies. Secop and the Secop logotype are trademarks of Secop GmbH. All rights reserved.

**Model**

Designation	<b>SC18CLX.2</b>	115V/60Hz 1~	Sales code:	<b>104L2198</b>
-------------	------------------	--------------	-------------	-----------------

**Compressor design**

Oil type	Polyolester	Refrigerant(s)	<b>R404A, R452A, R507</b>
Oil viscosity	32cST	Displacement	17,69cm <sup>3</sup> / 1,08cu.in
Oil quantity	550cm <sup>3</sup> / 18,6fl.oz	Compressors on pallet	80
Refr. charge - tech. limit	1300g / 45,9oz		
Free gas volume comp.	1460cm <sup>3</sup> / 49,4fl.oz		
Weight	14,2kg / 31,3lbs		
Motor protection	external		
Winding resistance main	0,6Ω (at 25°C)		
Winding resistance aux	3,2Ω (at 25°C)		
Max. winding temp.	125°C / 257°F		
Max. discharge temp.	130°C / 266°F		



**General - Configurations with SC18CLX.2**

	<b>Conf. 1</b>	<b>Conf. 2</b>
Motorconfiguration	CSCR	CSCR
Power supply (nominal)	115V/60Hz	115V/60Hz
Number of phases	1	1
Voltage range	103-127V	103-127V
Approvals	UL	UL
Starting torque	HST	HST
Note	Protector and cover are included and pre-assembled to compressor.	

**Applications with SC18CLX.2**

	<b>Conf. 1</b>	<b>Conf. 2</b>
Refrigerant	R404A	R452A
Application	LBP	LBP
System cooling	fan 3m/s	fan 3m/s
Hot gas defrost	OK	OK
Long interval pull down	-/-	-/-

**Electrical data - Configurations with SC18CLX.2**

	<b>Conf. 1</b>	<b>Conf. 2</b>
Starting device type	relay	relay
Run capacitor	23,5μF	23,5μF
Start capacitor	410μF	410μF
LRA (locked rotor amps / 4s)	63A	63A
RLA (rated load amps / 1s)	9,6A	9,6A
Cut in current	63A	63A
IP class	21	21

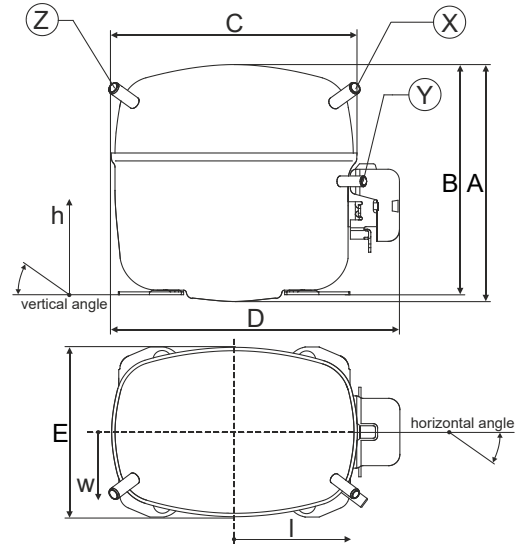
**Model**

Designation	<b>SC18CLX.2</b>	115V/60Hz 1~	Sales code:	<b>104L2198</b>
-------------	------------------	--------------	-------------	-----------------

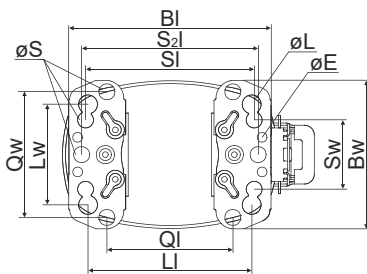
**Compressor dimensions**

<b>Housing</b>	A Height	219mm / 8,62in
	B Height	213mm / 8,39in
	C Length shell	218mm / 8,58in
	D Length w. cover	255mm / 10,04in
	E Width	151mm / 5,94in

<b>Connectors</b>		<b>Suction</b>	<b>Discharge</b>	<b>Process</b>
		<b>X</b>	<b>Y</b>	<b>Z</b>
Diameter	[mm]	øi 9,54-9,72	øi 6,41-6,59	øi 6,41-6,59
(i:inside, o:outside)	[in]	øi 0,38-0,38	øi 0,25-0,26	øi 0,25-0,26
Material		copper	copper	copper
Horizontal angle	±2°	37°	37°	143°
Vertical angle	±2°	30°	0°	150°
Position l/h/w	[mm]	107/193/55	115/110/63	-107/193/55
	[in]	4,2/7,6/2,2	4,5/4,3/2,5	-4,2/7,6/2,2
Straight tube l.	[mm]	12	12	12
	[in]	0,5	0,5	0,5

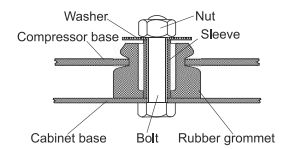


**Compressor fixation**

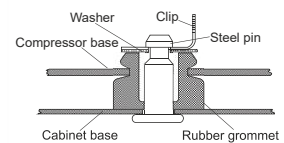


Baseplate	[mm]	[inch]
BI	204	8.03
BW	150	5.9
øE	ø 9.7	ø 0.38
Large holes		
LI	165	6.5
LW	101.6	4
øL	ø 19	ø 0.75
Small holes		
SI	170	6.7
Sw	70	2.76
øS	ø 16	ø 0.63
QI	127	5
Qw	127	5

**Bolt joint**



**Snap-on**



<b>Mounting accessories</b>	one comp.	multi pack
Bolt joint   M6   ø16mm	118-1917	118-1918
Bolt joint   ø1/4"   ø16mm	118-1946	
Bolt joint   ø1/4"   ø19mm	118-1949	
Snap-on   ø7,3   ø16mm	118-1947	118-1919

**Application notes**

LRA value on compressor label and datasheet may differ due to different test conditions for UL approval.

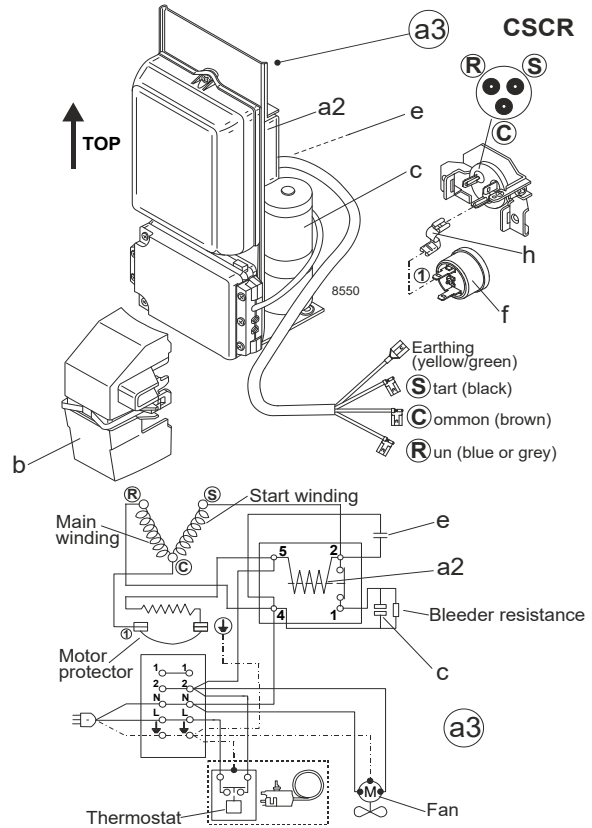
**Model**

Designation **SC18CLX.2 115V/60Hz** Conf. 1 Sales code: **104L2198**

**Configuration**

Motorconfiguration **CSCR**  
 Power supply (nominal) **115V/60Hz 1~**  
 Refrigerant **R404A**  
 Application **LBP**  
 Voltage range **103-127V**  
 Starting torque **HST**  
 Approvals **UL**

**Electrical accessories / wiring diagram**

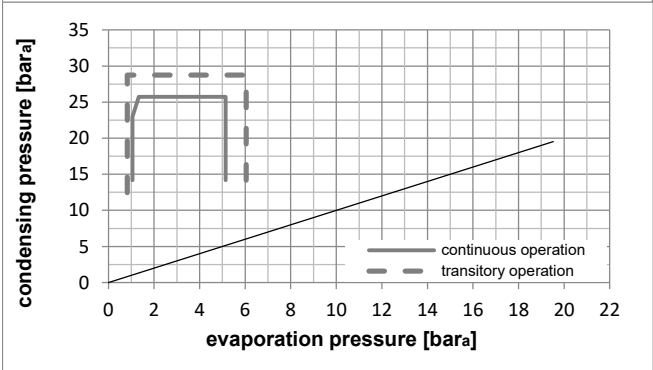
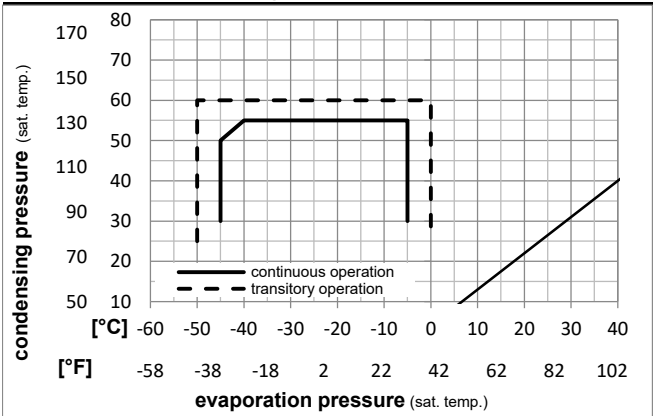


**Ambient temperatures / system cooling**

Ambient temperature min.: **10°C / 50°F**  
 Ambient temperature max.: **43°C / 110°F**

System cooling (n/a: outside limits)			
T ambient	LBP	MBP	HBP
32°C / 90°F	fan 3m/s	n/a	n/a
38°C / 100°F	fan 3m/s	n/a	n/a
43°C / 110°F	fan 3m/s	n/a	n/a

**Operation pressure range**



Components (protector + ~holder + cover: pre assembled)

- a3 SC starter kit 117-7045
- f ext. protector (T0761/46) 117U3212
- b plastic cover 117U1021

Alternative comp. (protector + ~holder + cover: pre assemb.)

- a2 potential relay (RVA 7AA3R) 117-7441
- e run capacitor (23,5µF, 6.3mm) 117-7114
- c start capacitor (410µF, 6.3mm) 117U5043
- f ext. protector (T0761/46) 117U3212
- b plastic cover 117U1021

**Model**

Designation **SC18CLX.2 115V/60Hz** Conf. 1 Sales code: **104L2198**

**Optimization + standard conditions**

115V/60Hz, CSCR, fan 3m/s, UL

Evaporating pressure (saturation temperature)														
Condensing pressure (saturation temperature)														
Return gas temp.														
Liquid temp.														
Cooling capacity														
COP														
EER														
Power consumption														
Current consumption														
Ref. mass flow														
	pe	pc	RGT	Tliq	[W]	[Btu/h]	[kcal/h]	[W/W]	[Btu/Wh]	[kcal/Wh]	P1	I	m	
[°C]	[°C]	[°C]	[°C]	[°C]	[W]	[Btu/h]	[kcal/h]	[W/W]	[Btu/Wh]	[kcal/Wh]	[W]	[A]	[kg/h]	
[°C]	-23,3	54,4	32,2	32,2	1072,9	3664	923,4	1,31	4,48	1,13	818,1	8,99	25,00	ASHRAE LBP
[°F]	-10	130	90	90										
[°C]	-25	55	32	55	737,7	2519	634,9	0,94	3,21	0,81	784,8	8,76	23,06	cecomaf LBP
[°F]	-13	131	89,6	131										
[°C]	-35	40	20	40	569,0	1943	489,6	0,97	3,31	0,83	587,8	7,51	15,46	EN12900 LBP
[°F]	-31	104	68	104										
[°C]	-23,3	48,9	4,44	48,9	779,8	2663	671,1	0,97	3,30	0,83	807,9	8,92	27,61	ARI540 LBP
[°F]	-10	120	40	120										
[°C]	-23,3	40,6	32,2	32,2	1156,3	3949	995,1	1,47	5,01	1,26	788,0	8,80	26,94	AHAM LBP
[°F]	-10	105	90	90										
[°C]	-35	45	32	45	523,1	1787	450,2	0,91	3,10	0,78	577,0	7,47	13,98	opt
[°F]	-31	113	89,6	113										

**Performance tables**

115V/60Hz, CSCR, fan 3m/s, UL

	pe		Cooling capacity			COP			EER			P1	I	m
	[°C]	[°F]	[W]	[Btu/h]	[kcal/h]	[W/W]	[Btu/Wh]	[kcal/Wh]	[W]	[A]	[kg/h]			
[°C / °F]	-45	-49	108,7	371	93,6	0,34	1,16	0,29	320,1	6,25	2,89			
cond. pressure	-34,4	-30	544,2	1859	468,4	0,92	3,15	0,80	589,1	7,54	14,55			
pc= 45/113	-28,9	-20	753,6	2574	648,6	1,08	3,67	0,93	700,8	8,21	20,25			
return gas temp.	-23,3	-10	973,0	3323	837,4	1,22	4,16	1,05	799,3	8,87	26,29			
RGT= 32/90	-20,6	-5	1092,1	3730	939,9	1,29	4,41	1,11	845,3	9,20	29,61			
liquid temp	-15	5	1360,3	4646	1170,7	1,46	4,97	1,25	934,3	9,85	37,16			
Tliq= 45/113	-5	23	1994,5	6812	1716,5	1,81	6,19	1,56	1099,9	11,02	55,45			
[°C / °F]	-45	-49	-101,7	-347	-87,5	-0,43	-1,47	-0,37	236,6	5,93	-3,12			
cond. pressure	-34,4	-30	391,4	1337	336,8	0,69	2,37	0,60	563,6	7,43	12,11			
pc= 55/131	-28,9	-20	599,8	2048	516,2	0,86	2,93	0,74	700,0	8,22	18,66			
return gas temp	-23,3	-10	796,6	2721	685,6	0,97	3,32	0,84	819,0	8,99	24,95			
RGT= 32/90	-20,6	-5	896,3	3061	771,4	1,03	3,50	0,88	873,7	9,38	28,18			
liquid temp	-15	5	1109,6	3790	955,0	1,14	3,88	0,98	977,1	10,15	35,19			
Tliq= 55/131	-5	23	1590,7	5432	1368,9	1,37	4,69	1,18	1158,5	11,51	51,49			

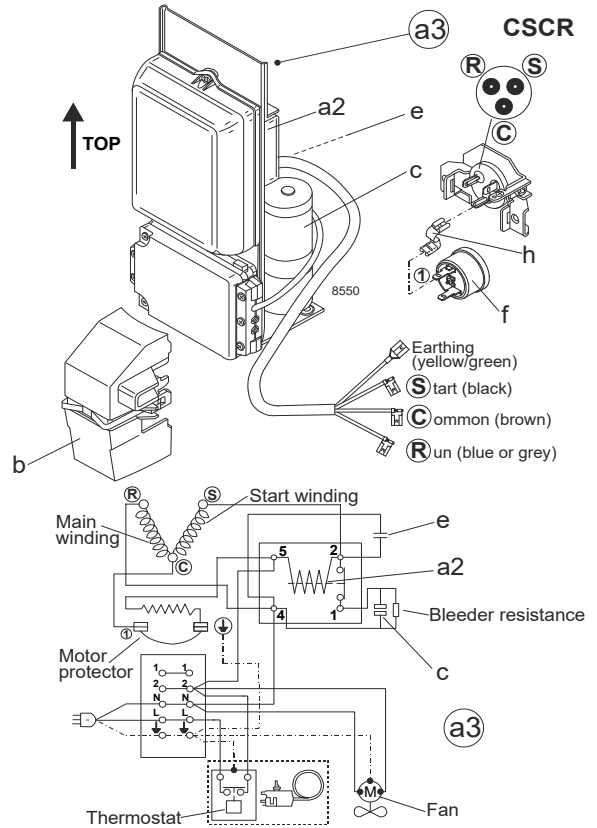
**Model**

Designation	<b>SC18CLX.2</b>	<b>115V/60Hz</b>	<b>Conf. 2</b>	Sales code:	<b>104L2198</b>
-------------	------------------	------------------	----------------	-------------	-----------------

**Configuration**

Motorconfiguration	CSCR
Power supply (nominal)	115V/60Hz 1~
Refrigerant	R452A
Application	LBP
Voltage range	103-127V
Starting torque	HST
Approvals	UL

**Electrical accessories / wiring diagram**

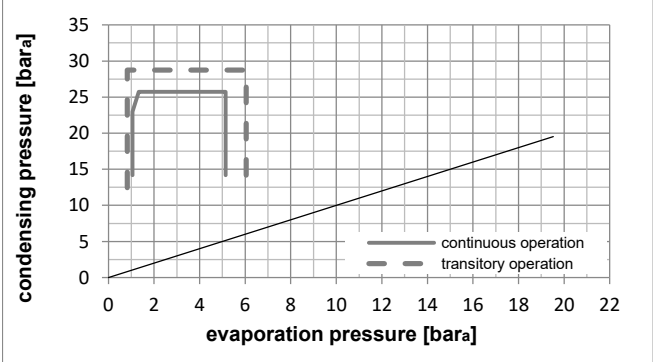
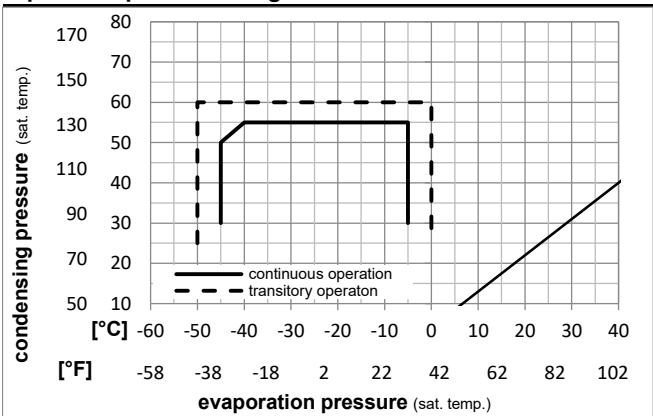


**Ambient temperatures / system cooling**

Ambient temperature min.:	10°C / 50°F
Ambient temperature max.:	43°C / 110°F

System cooling (n/a: outside limits)			
T ambient	LBP	MBP	HBP
32°C / 90°F	fan 3m/s	n/a	n/a
38°C / 100°F	fan 3m/s	n/a	n/a
43°C / 110°F	fan 3m/s	n/a	n/a

**Operation pressure range**



Components (protector + ~holder + cover: pre assembled)

a3	SC starter kit	117-7045
f	ext. protector (T0761/46)	117U3212
b	plastic cover	117U1021

Alternative comp. (protector + ~holder + cover: pre assemb.)

a2	potential relay (RVA 7AA3R)	117-7441
e	run capacitor (23,5µF, 6.3mm)	117-7114
c	start capacitor (410µF, 6.3mm)	117U5043
f	ext. protector (T0761/46)	117U3212
b	plastic cover	117U1021

**Model**

Designation **SC18CLX.2 115V/60Hz** Conf. **2** Sales code: **104L2198**

**Optimization + standard conditions**

115V/60Hz, CSCR, fan 3m/s, UL

Evaporating pressure (saturation temperature)				Condensing pressure (saturation temperature)				Power consumption				ASHRAE LBP		
Return gas temp.				Liquid temp.				Current consumption					Ref. mass flow ṁ	
Cooling capacity				COP		EER		P1		I				
pe	pc	RGT	Tliq	[W]	[Btu/h]	[kcal/h]	[W/W]	[Btu/Wh]	[kcal/Wh]	[W]	[A]		[kg/h]	
[°C]	-23,3	54,4	32,2	32,2	979,6	3346	843,1	1,27	4,33	1,09	773,4	8,83	23,55	ASHRAE LBP
[°F]	-10	130	90	90										
[°C]	-25	55	32	55	679,6	2321	584,9	0,92	3,14	0,79	740,0	8,62	21,63	cecomaf LBP
[°F]	-13	131	89,6	131										
[°C]	-35	40	20	40	513,3	1753	441,7	0,93	3,18	0,80	551,5	7,41	14,33	EN12900 LBP
[°F]	-31	104	68	104										
[°C]	-23,3	48,9	4,44	48,9	723,0	2469	622,2	0,94	3,22	0,81	765,6	8,78	25,99	ARI540 LBP
[°F]	-10	120	40	120										
[°C]	-23,3	40,6	32,2	32,2	1061,2	3624	913,3	1,42	4,84	1,22	748,5	8,67	25,51	AHAM LBP
[°F]	-10	105	90	90										
[°C]	-35	45	32	45	471,1	1609	405,5	0,87	2,98	0,75	540,2	7,34	12,93	opt
[°F]	-31	113	89,6	113										

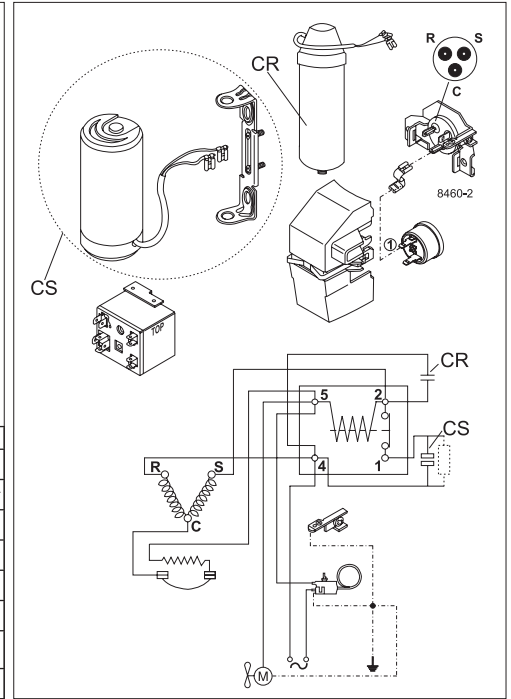
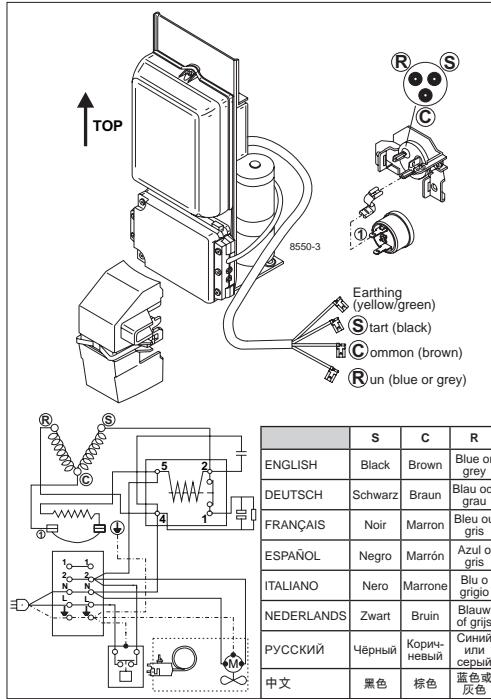
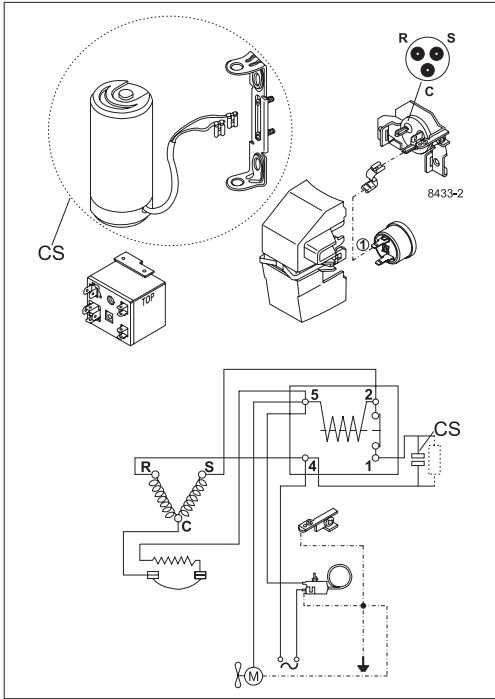
**Performance tables**

115V/60Hz, CSCR, fan 3m/s, UL

	pe		Cooling capacity			COP		EER		P1	I	m
	[°C]	[°F]	[W]	[Btu/h]	[kcal/h]	[W/W]	[Btu/Wh]	[kcal/Wh]	[W]	[A]	[kg/h]	
[°C / °F]	-45	-49	87,0	297	74,9	0,29	1,00	0,25	296,1	5,78	2,37	
cond. pressure	-34,4	-30	490,8	1676	422,4	0,89	3,04	0,77	551,9	7,41	13,48	
pc= 45/113	-28,9	-20	687,9	2349	592,0	1,04	3,56	0,90	660,7	8,11	18,96	
return gas temp.	-23,3	-10	896,8	3063	771,8	1,18	4,04	1,02	758,4	8,73	24,85	
RGT= 32/90	-20,6	-5	1011,2	3453	870,2	1,26	4,29	1,08	804,5	9,03	28,10	
liquid temp	-15	5	1270,6	4339	1093,5	1,42	4,85	1,22	894,6	9,61	35,54	
Tliq= 45/113	-5	23	1888,6	6450	1625,4	1,78	6,07	1,53	1063,4	10,69	53,67	
[°C / °F]	-45	-49	-104,7	-358	-90,1	-0,49	-1,68	-0,42	213,0	5,24	-3,28	
cond. pressure	-34,4	-30	352,5	1204	303,3	0,67	2,30	0,58	523,9	7,23	11,12	
pc= 55/131	-28,9	-20	548,4	1873	472,0	0,84	2,85	0,72	656,4	8,08	17,38	
return gas temp	-23,3	-10	736,1	2514	633,5	0,95	3,25	0,82	774,0	8,83	23,47	
RGT= 32/90	-20,6	-5	832,3	2842	716,2	1,00	3,43	0,86	828,7	9,18	26,62	
liquid temp	-15	5	1040,2	3552	895,2	1,11	3,81	0,96	933,2	9,85	33,53	
Tliq= 55/131	-5	23	1514,9	5174	1303,8	1,35	4,63	1,17	1118,5	11,04	49,72	



# SC Compressors (External Protector)



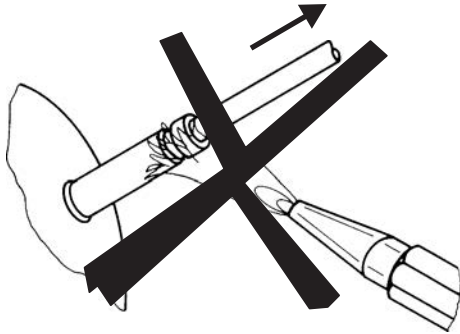




# SC Compressors (External Protector)



## Service/Repair – R290



8545



Secop accepts no responsibility for possible errors in catalogs, brochures, and other printed material. Secop reserves the right to alter its products without notice. This also applies to products already on order provided that such alterations can be made without subsequent changes being necessary to specifications already agreed. All trademarks in this material are the property of the respective companies. Secop and the Secop logotype are trademarks of Secop GmbH. All rights reserved. [www.secop.com](http://www.secop.com)