

Single Pack SC15MLX.2 208-230V 60Hz CSCR

Single pack code number: **195B4160**

| Position | Title | Code | Amount |
|----------|--|----------|--------|
| 1 | Compressor SC15MLX.2 | 104L2803 | 1 |
| 2 | SC starting device | 117-7058 | 1 |
| 3 | Cord relief | 103N1004 | 1 |
| 4 | Cover | 103N2008 | 1 |
| 5 | Bolt joint for one compressor M6 ø16mm | 118-1917 | 1 |

Secop GmbH • Lise-Meitner-Straße 29 • 24941 Flensburg, Germany • Tel: +49 461 4941 0 • www.secop.com

Secop accepts no responsibility for possible errors in catalogs, brochures, and other printed material. Secop reserves the right to alter its products without notice. This also applies to products already on order provided that such alterations can be made without subsequent changes being necessary to specifications already agreed. All trademarks in this material are the property of the respective companies. Secop and the Secop logotype are trademarks of Secop GmbH. All rights reserved.

SC15MLX.2 MBP Compressor R404A/R507 208-230V 60Hz

General

| | |
|-----------------------|-----------|
| Code number | 104L2803 |
| Approvals | UL984, KC |
| Compressors on pallet | 80 |

Application

| | | | | |
|--|-----|----|--------------|--|
| Application | MBP | | | |
| Frequency | Hz | 50 | 60 | |
| Evaporating temperature | °C | – | -23.3 to 7.2 | |
| Voltage range | V | – | 187 - 254 | |
| Max. condensing temperature continuous (short) | °C | – | 50 (60) | |
| Max. winding temperature continuous (short) | °C | – | 125 (135) | |

Cooling requirements

| | | | | | | | |
|-------------------------|----|-----|-----|-----|-----|----------------|-----|
| Frequency | Hz | 50 | | | 60 | | |
| Application | | LBP | MBP | HBP | LBP | MBP | HBP |
| 32°C | | – | – | – | – | F ₂ | – |
| 38°C | | – | – | – | – | F ₂ | – |
| 43°C | | – | – | – | – | – | – |
| Remarks on application: | | | | | | | |

Motor

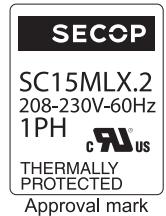
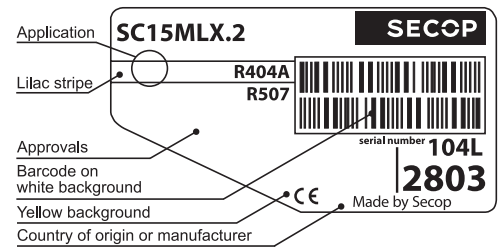
| | | | |
|---|-----|------|------|
| Motor type | CSR | | |
| LRA (rated after 4 sec. UL984), HST LST | A | 30.0 | – |
| Cut in Current, HST LST | A | 30.0 | – |
| Resistance, main start winding (25°C) | Ω | 2.6 | 14.0 |

Design

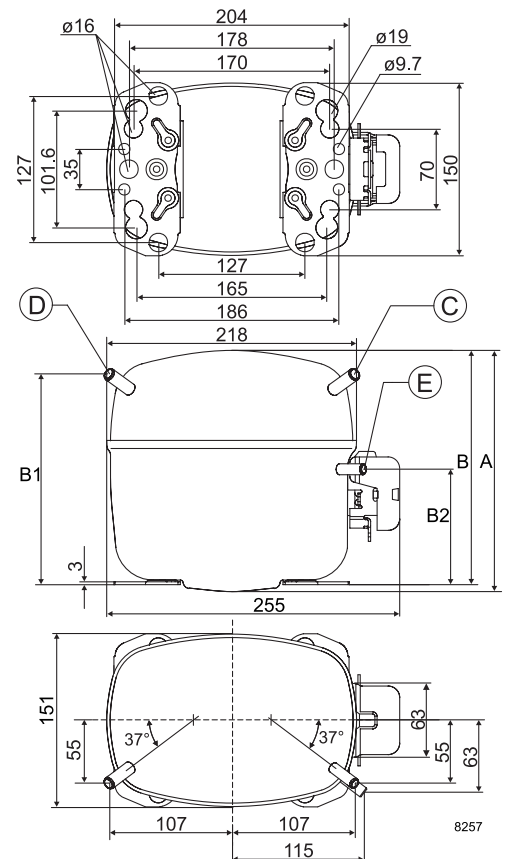
| | | |
|-------------------------------------|-----------------|-------------------|
| Displacement | cm ³ | 15.28 |
| Oil quantity (type) | cm ³ | 550 (polyolester) |
| Maximum refrigerant charge | g | 1300 |
| Free gas volume in compressor | cm ³ | 1460 |
| Weight without electrical equipment | kg | 14.0 |

Dimensions

| | | | |
|----------------------|--------------------------|----------------------|-----------|
| Height | mm | A | 219 |
| | | B | 213 |
| | | B1 | 193 |
| | | B2 | 110 |
| Suction connector | location/I.D. mm angle | C | 9.7 37° |
| | material comment | Copper Rubber plug | |
| Process connector | location/I.D. mm angle | D | 6.5 37° |
| | material comment | Copper Rubber plug | |
| Discharge connector | location/I.D. mm angle | E | 6.5 37° |
| | material comment | Copper Rubber plug | |
| Oil cooler connector | location/I.D. mm angle | F | – |
| | material comment | – | |
| Connector tolerance | I.D. mm | ±0.09 | |
| Remarks: | | | |



- S = Static cooling normally sufficient
- O = Oil cooling
- F₁ = Fan cooling 1.5 m/s
(compressor compartment temperature equal to ambient temperature)
- F₂ = Fan cooling 3.0 m/s necessary
- SG = Suction gas cooling normally sufficient
- = not applicable in this area

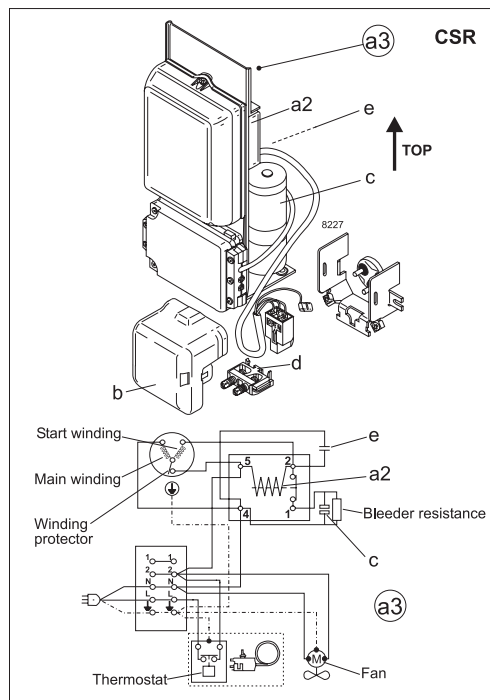


EN 12900 Household (CECOMAF) 230V, 60Hz, fan cooling F₂

| | | | | | | | | | | | | | | | | | |
|--------------------|-----|-----|-----|-----|-----|-------|------|------|------|------|------|------|------|------|----|----|----|
| Evap. temp. in °C | -45 | -40 | -35 | -30 | -25 | -23.3 | -20 | -15 | -10 | -6.7 | -5 | 0 | 5 | 7.2 | 10 | 15 | 20 |
| Capacity in W | | | | | | 784 | 915 | 1145 | 1418 | 1623 | 1737 | 2107 | 2531 | 2735 | | | |
| Power cons. in W | | | | | | 676 | 722 | 790 | 860 | 907 | 931 | 1004 | 1080 | 1114 | | | |
| Current cons. in A | | | | | | 3.09 | 3.27 | 3.56 | 3.88 | 4.09 | 4.21 | 4.55 | 4.92 | 5.09 | | | |
| COP in W/W | | | | | | 1.16 | 1.27 | 1.45 | 1.65 | 1.79 | 1.87 | 2.10 | 2.34 | 2.46 | | | |

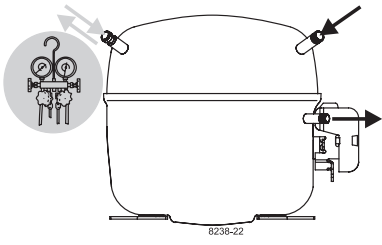
ASHRAE MBP 230V, 60Hz, fan cooling F₂

| | | | | | | | | | | | | | | | | | |
|--------------------|-----|-----|-----|-----|-----|-------|------|------|------|------|------|------|------|------|----|----|----|
| Evap. temp. in °C | -45 | -40 | -35 | -30 | -25 | -23.3 | -20 | -15 | -10 | -6.7 | -5 | 0 | 5 | 7.2 | 10 | 15 | 20 |
| Capacity in W | | | | | | 717 | 836 | 1049 | 1305 | 1500 | 1609 | 1965 | 2379 | 2581 | | | |
| Power cons. in W | | | | | | 703 | 757 | 838 | 920 | 975 | 1003 | 1087 | 1173 | 1212 | | | |
| Current cons. in A | | | | | | 3.22 | 3.43 | 3.76 | 4.11 | 4.35 | 4.48 | 4.87 | 5.28 | 5.47 | | | |
| COP in W/W | | | | | | 1.02 | 1.11 | 1.25 | 1.42 | 1.54 | 1.60 | 1.81 | 2.03 | 2.13 | | | |

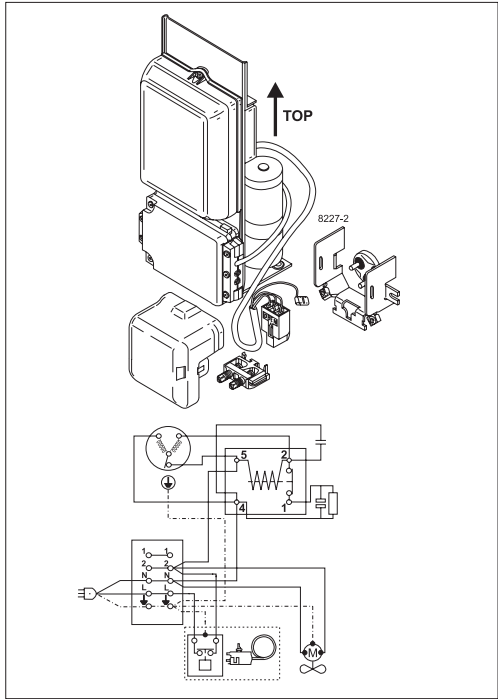
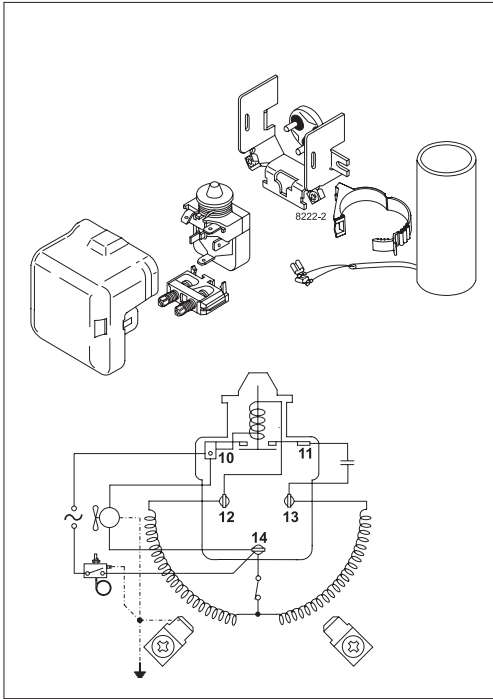
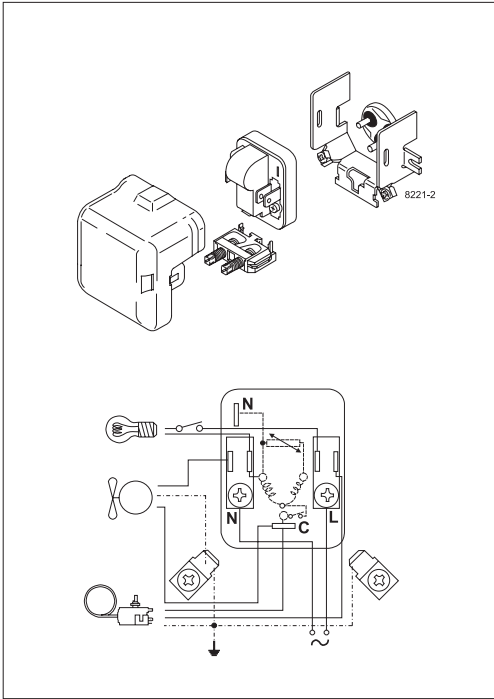


| Accessories for | SC15MLX.2 | Figure | Code number | Test conditions | EN 12900/ CECOMAF | ASHRAE MBP |
|-------------------------|---------------------|--------|-------------------------------------|-------------------------------|----------------------|---------------|
| Starting device | 470 mm cable length | a3 | 117-7058 | Condensing temperature | 45°C | 54.4°C |
| Cover | | b | 103N2008 | Ambient temperature | 32°C | 35°C |
| Starting relay | | a2 | Components of starting device | Suction gas temperature | 32°C | 35°C |
| Start. capacitor 125 µF | | c | | Liquid temperature | no subcooling | 46.1°C |
| Run capacitor 15 µF | | e | | Mounting accessories | | |
| Cord relief | | d | 103N1004 | Bolt joint for one compressor | Ø: 16 mm | 118-1917 |
| | | | | Bolt joint in quantities | Ø: 16 mm | 118-1918 |
| | | | | Snap-on in quantities | Ø: 16 mm | 118-1919 |

Secop accepts no responsibility for possible errors in catalogs, brochures, and other printed material. Secop reserves the right to alter its products without notice. This also applies to products already on order provided that such alterations can be made without consequential changes being necessary to specifications already agreed. All trademarks in this material are the property of the respective companies. Secop and the Secop logotype are trademarks of Secop GmbH. All rights reserved. www.secop.com



SC Compressors





SC Compressors

Service/Repair – R290



8545



Secop accepts no responsibility for possible errors in catalogs, brochures, and other printed material. Secop reserves the right to alter its products without notice. This also applies to products already on order provided that such alterations can be made without subsequent changes being necessary to specifications already agreed. All trademarks in this material are the property of the respective companies. Secop and the Secop logotype are trademarks of Secop GmbH. All rights reserved. www.secop.com