

Single Pack SC15MNX 220-240V 50Hz CSIR

Single pack code number: **195B4197**

Position	Title	Code	Amount
1	Compressor SC15MNX	104H8575	1
2	Starting relay	117U7019	1
3	Starting capacitor (80 μ F 220V, 6.3mm)	117U5017	1
4	Cord relief	103N1004	1
5	Cover	103N2008	1
6	Bolt joint for one compressor M6 \varnothing 16mm	118-1917	1

Secop GmbH • Lise-Meitner-Straße 29 • 24941 Flensburg, Germany • Tel: +49 461 4941 0 • www.secop.com

Secop accepts no responsibility for possible errors in catalogs, brochures, and other printed material. Secop reserves the right to alter its products without notice. This also applies to products already on order provided that such alterations can be made without subsequent changes being necessary to specifications already agreed. All trademarks in this material are the property of the respective companies. Secop and the Secop logotype are trademarks of Secop GmbH. All rights reserved.

Model

Designation	SC15MNX	220-240V/50Hz 1~	Sales code:	104H8575
-------------	----------------	------------------	-------------	-----------------

Compressor design

Oil type	Polyolester	Refrigerant(s)	R290
Oil viscosity	22cST	Displacement	15,28cm ³ / 0,93cu.in
Oil quantity	554cm ³ / 18,7fl.oz	Compressors on pallet	80
Refr. charge - tech. limit	150g / 5,3oz		
Free gas volume comp.	1510cm ³ / 51,1fl.oz		
Weight	13,5kg / 29,8lbs		
Motor protection	1# internal		
Winding resistance main	3,7Ω (at 25°C)		
Winding resistance aux	14Ω (at 25°C)		
Max. winding temp.	125°C / 257°F		
Max. discharge temp.	135°C / 275°F		



General - Configurations with SC15MNX

Conf. 1

Motorconfiguration	CSIR
Power supply (nominal)	220-240V/50Hz
Number of phases	1
Voltage range	198-254V
Approvals	VDE, CCC, EAC
Starting torque	HST
Note	- / -

Applications with SC15MNX

Conf. 1

Refrigerant	R290
Application	MBP
System cooling	fan 3m/s
Hot gas defrost	OK
Long interval pull down	OK

Electrical data - Configurations with SC15MNX

Conf. 1

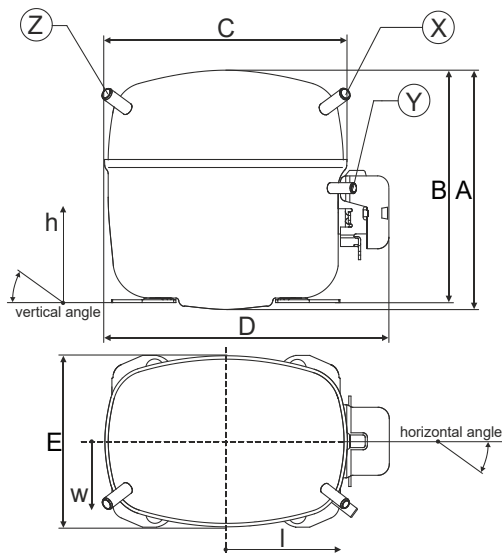
Starting device type	relay
Run capacitor	-/-
Start capacitor	80μF
LRA (locked rotor amps / 4s)	20,43A
RLA (rated load amps / 1s)	3,9A
Cut in current	20,43A

Model

Designation	SC15MNX	220-240V/50Hz 1~	Sales code:	104H8575
-------------	----------------	------------------	-------------	-----------------

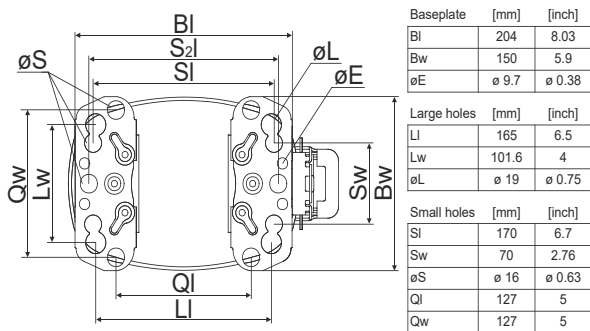
Compressor dimensions

Housing	A Height	219mm / 8,62in
	B Height	213mm / 8,39in
	C Length shell	218mm / 8,58in
	D Length w. cover	255mm / 10,04in
	E Width	151mm / 5,94in



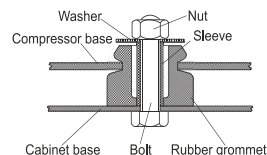
Connectors	Suction		Discharge		Process	
	X		Y		Z	
Diameter [mm]	øi 8,11-8,29		øi 6,11-6,29		øi 6,11-6,29	
(i:inside, o:outside) [in]	øi 0,32-0,33		øi 0,24-0,25		øi 0,24-0,25	
Material	copper		copper		copper	
Horizontal angle ±2°	37°		37°		143°	
Vertical angle ±2°	30°		0°		150°	
Position l/h/w [mm]	107/193/55		115/110/63		-107/193/55	
[in]	4,2/7,6/2,2		4,5/4,3/2,5		-4,2/7,6/2,2	
Straight tube l. [mm]	12		12		12	
[in]	0,5		0,5		0,5	

Compressor fixation

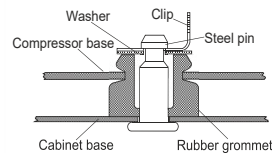


Baseplate	[mm]	[inch]
BI	204	8.03
Bw	150	5.9
øE	ø 9.7	ø 0.38
Large holes	[mm]	[inch]
LI	165	6.5
Lw	101.6	4
øL	ø 19	ø 0.75
Small holes	[mm]	[inch]
SI	170	6.7
Sw	70	2.76
øS	ø 16	ø 0.63
QI	127	5
Qw	127	5

Bolt joint



Snap-on



Mounting accessories

	one comp.	multi pack
Bolt joint M6 ø16mm	118-1917	118-1918
Bolt joint ø1/4" ø16mm	118-1946	
Bolt joint ø1/4" ø19mm	118-1949	
Snap-on ø7,3 ø16mm	118-1947	118-1919

Application notes

Provision for PE Grounding is located at the PE Stamp on the compressor

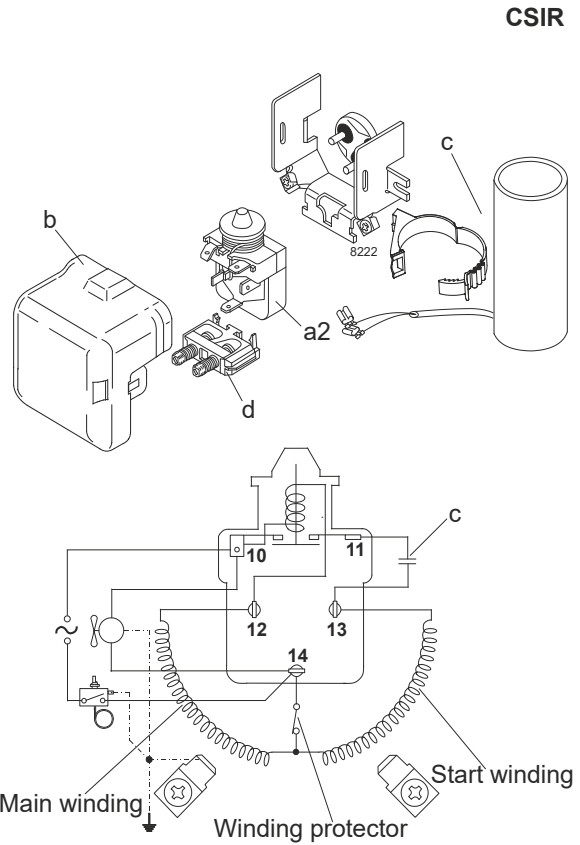
Model

Designation	SC15MNX	220-240V/50Hz	Conf. 1	Sales code:	104H8575
-------------	----------------	----------------------	---------	-------------	-----------------

Configuration

Motorconfiguration	CSIR
Power supply (nominal)	220-240V/50Hz 1~
Refrigerant	R290
Application	MBP
Voltage range	198-254V
Starting torque	HST
Approvals	VDE
	CCC
	EAC

Electrical accessories / wiring diagram



Ambient/ machine room temperatures minimum /maximum

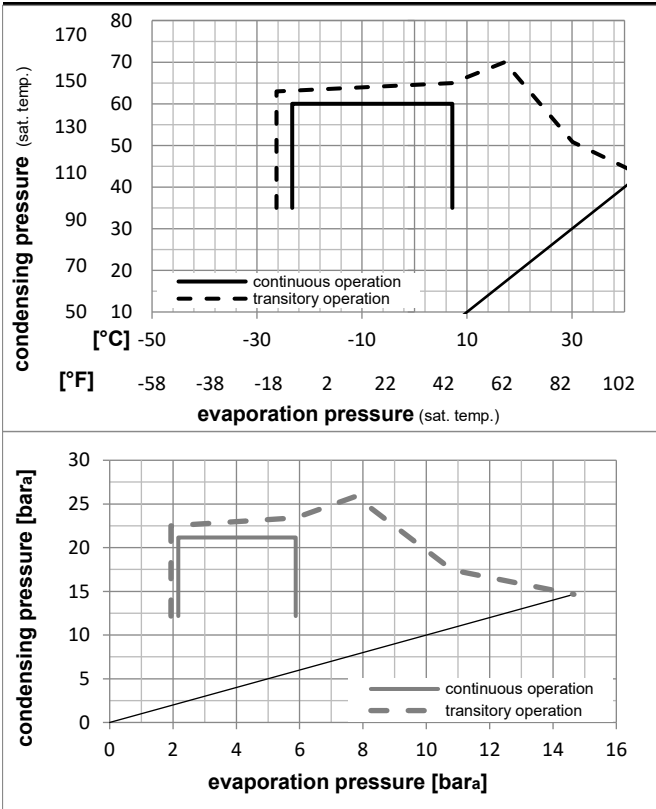
Ambient temperature range: 10 - 43°C / 50 - 110°F

Machine room temperature range: 10 - 48°C / 50 - 119°F

Compressor cooling: fan 3m/s

Operation Limits

Operation pressure range



Components

a2	current relay	117U7019
c	start capacitor (80µF)	117U5017
d	cord relief	103N1004
b	plastic cover	103N2008

Model

Designation **SC15MNX** **220-240V/50Hz** Conf. 1 Sales code: **104H8575**

Optimization + standard conditions

R290, 220V/50Hz, CSIR, fan 3m/s, VDE, CCC, EAC

		Evaporating pressure (saturation temperature)				Cooling capacity			COP	EER	Power consumption				
		Condensing pressure (saturation temperature)				Return gas temp.					Current consumption				
		Liquid temp.									Ref. mass flow				
		pe	pc	RGT	Tliq	[W]	[Btu/h]	[kcal/h]	[W/W]	[Btu/Wh]	[kcal/Wh]	P1 [W]	I [A]	m [kg/h]	
[°C]	-7	54	35	46	1188,0	4057	1022,4	1,75	5,97	1,50	680,0	3,96	13,55	ASHRAE MBP	
[°F]	20	130	95	115											
[°C]	-10	55	32	55	949,7	3243	817,3	1,45	4,96	1,25	653,8	3,84	12,01	cecomaf MBP	
[°F]	14	131	90	131											
[°C]	-10	45	20	45	1046,5	3574	900,6	1,77	6,04	1,52	591,5	3,65	12,85	EN12900 MBP	
[°F]	14	113	68	113											
[°C]	-7	49	18	49	1112,6	3800	957,5	1,74	5,94	1,50	639,8	3,84	14,45	ARI540 MBP	
[°F]	20	120	65	120											
[°C]	-10	45	32	45	1089,5	3721	937,6	1,84	6,29	1,59	591,5	3,65	12,46	opt	
[°F]	14	113	90	113											
[°C]	-25	45	32	45	556,9	1902	479,2	1,43	4,90	1,23	388,4	3,15	6,28	opt	
[°F]	-13	113	90	113											

Performance tables

R290, 220V/50Hz, CSIR, fan 3m/s, VDE, CCC, EAC

	pe		Cooling capacity			COP	EER		P1	I	m
	[°C]	[°F]	[W]	[Btu/h]	[kcal/h]	[W/W]	[Btu/Wh]	[kcal/Wh]	[W]	[A]	[kg/h]
[°C / °F]	-23	-10	606,4	2071	521,9	1,43	4,88	1,23	424,3	3,21	6,85
cond. pressure	-20	-4	709,9	2424	610,9	1,47	5,02	1,27	482,9	3,33	8,04
pc= 45/113	-15	5	886,5	3028	762,9	1,62	5,53	1,39	547,9	3,50	10,09
return gas temp.	-10	14	1089,5	3721	937,6	1,84	6,29	1,59	591,5	3,65	12,46
RGT= 32/90	-5	23	1321,7	4514	1137,4	2,13	7,26	1,83	621,4	3,80	15,22
liquid temp	0	32	1585,8	5416	1364,8	2,46	8,39	2,11	645,5	3,93	18,39
Tliq= 45/113	7,2	45	2028,2	6927	1745,4	2,96	10,10	2,54	685,9	4,10	23,83
[°C / °F]	-23	-10	554,4	1893	477,1	1,22	4,16	1,05	455,1	3,25	6,91
cond. pressure	-20	-4	640,0	2186	550,8	1,23	4,20	1,06	520,7	3,40	8,00
pc= 55/131	-15	5	784,6	2680	675,2	1,31	4,49	1,13	597,4	3,63	9,86
return gas temp	-10	14	949,7	3243	817,3	1,45	4,96	1,25	653,8	3,84	12,01
RGT= 32/90	-5	23	1138,1	3887	979,5	1,63	5,57	1,40	697,8	4,04	14,50
liquid temp	0	32	1352,7	4620	1164,1	1,83	6,27	1,58	737,2	4,22	17,37
Tliq= 55/131	7,2	45	1713,1	5851	1474,3	2,14	7,30	1,84	801,8	4,47	22,32



SC Compressors





SC Compressors

Service/Repair – R290



8545



Secop accepts no responsibility for possible errors in catalogs, brochures, and other printed material. Secop reserves the right to alter its products without notice. This also applies to products already on order provided that such alterations can be made without subsequent changes being necessary to specifications already agreed. All trademarks in this material are the property of the respective companies. Secop and the Secop logotype are trademarks of Secop GmbH. All rights reserved. www.secop.com