

Single Pack SC10CLX 220-240V 50/60Hz CSIR

Single pack code number: **195B4339**

Position	Title	Code	Amount
1	Compressor SC10CLX	104L2536	1
2	Starting relay	117U6005	1
3	Starting capacitor (80 μ F 220V, 6.3mm)	117U5017	1
4	Cord relief	103N1004	1
5	Cover	103N2008	1
6	Bolt joint for one compressor M6 \varnothing 16mm	118-1917	1

Secop GmbH • Lise-Meitner-Straße 29 • 24941 Flensburg, Germany • Tel: +49 461 4941 0 • www.secop.com

Secop accepts no responsibility for possible errors in catalogs, brochures, and other printed material. Secop reserves the right to alter its products without notice. This also applies to products already on order provided that such alterations can be made without subsequent changes being necessary to specifications already agreed. All trademarks in this material are the property of the respective companies. Secop and the Secop logotype are trademarks of Secop GmbH. All rights reserved.

Model

Designation	SC10CLX	220-240V/50Hz 1~ 220-240V/60Hz 1~	Sales code:	104L2536
-------------	----------------	--	-------------	-----------------

Compressor design

Oil type	Polyolester	Refrigerant(s)	R404A
Oil viscosity	32cST	Displacement	10,29cm ³ / 0,63cu.in
Oil quantity	500cm ³ / 16,9fl.oz	Compressors on pallet	80
Refr. charge - tech. limit	1300g / 45,9oz		
Free gas volume comp.	1460cm ³ / 49,4fl.oz		
Weight	13,2kg / 29,1lbs		
Motor protection	1# internal		
Winding resistance main	5,13Ω (at 25°C)		
Winding resistance aux	13,51Ω (at 25°C)		
Max. winding temp.	125°C / 257°F		
Max. discharge temp.	130°C / 266°F		



General - Configurations with SC10CLX

	Conf. 1	Conf. 2
Motorconfiguration	CSIR	CSIR
Power supply (nominal)	208-230V/60Hz	220-240V/50Hz
Number of phases	1	1
Voltage range	198-254V	198-254V
Approvals	UL, CCC, KC	UL, CCC, KC
Starting torque	HST	HST
Note	- / -	

Applications with SC10CLX

	Conf. 1	Conf. 2
Refrigerant	R404A	R404A
Application	LBP	LBP+MBP
System cooling	fan 3m/s	fan 3m/s
Hot gas defrost	OK	OK
Long interval pull down	OK	OK

Electrical data - Configurations with SC10CLX

	Conf. 1	Conf. 2
Starting device type	relay	relay
Run capacitor	- / -	- / -
Start capacitor	80μF	80μF
LRA (locked rotor amps / 4s)	15,6A	16,2A
RLA (rated load amps / 1s)	2,8A	3,1A
Cut in current	15,6A	16,2A

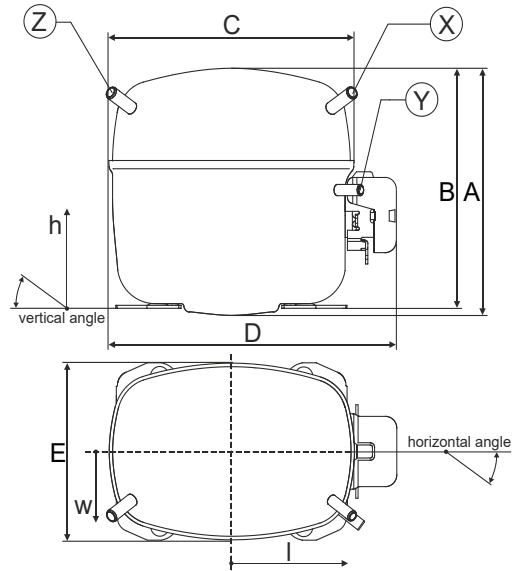
Model

Designation **SC10CLX** 220-240V/50Hz 1~ 220-240V/60Hz 1~ Sales code: **104L2536**

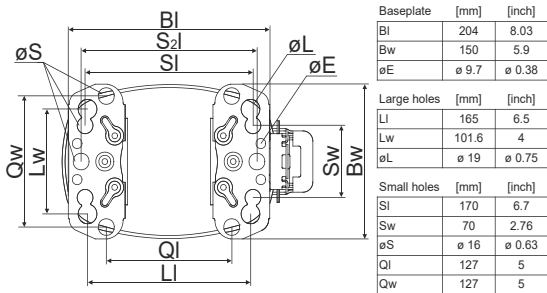
Compressor dimensions

Housing	A Height	209mm / 8,23in
	B Height	203mm / 7,99in
	C Length shell	218mm / 8,58in
	D Length w. cover	255mm / 10,04in
	E Width	151mm / 5,94in

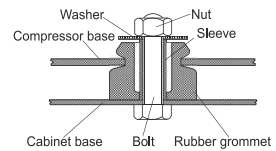
Connectors	Suction X	Discharge Y	Process Z
Diameter [mm]	øi 9,54-9,72	øi 6,41-6,59	øi 6,41-6,59
(i:inside, o:outside) [in]	øi 0,38-0,38	øi 0,25-0,26	øi 0,25-0,26
Material	copper	copper	copper
Horizontal angle ±2°	37°	37°	143°
Vertical angle ±2°	30°	0°	150°
Position l/h/w [mm]	107/183/55	115/100/63	-107/183/55
[in]	4,2/7,2/2,2	4,5/3,9/2,5	-4,2/7,2/2,2
Straight tube l. [mm]	12	12	12
[in]	0,5	0,5	0,5



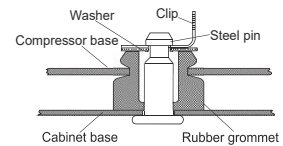
Compressor fixation



Bolt joint



Snap-on



Mounting accessories

	one comp.	multi pack
Bolt joint M6 ø16mm	118-1917	118-1918
Bolt joint ø1/4" ø16mm	118-1946	
Bolt joint ø1/4" ø19mm	118-1949	
Snap-on ø7,3 ø16mm	118-1947	118-1919

Application notes

LRA value on compressor label and datasheet may differ due to different test conditions for UL approval.

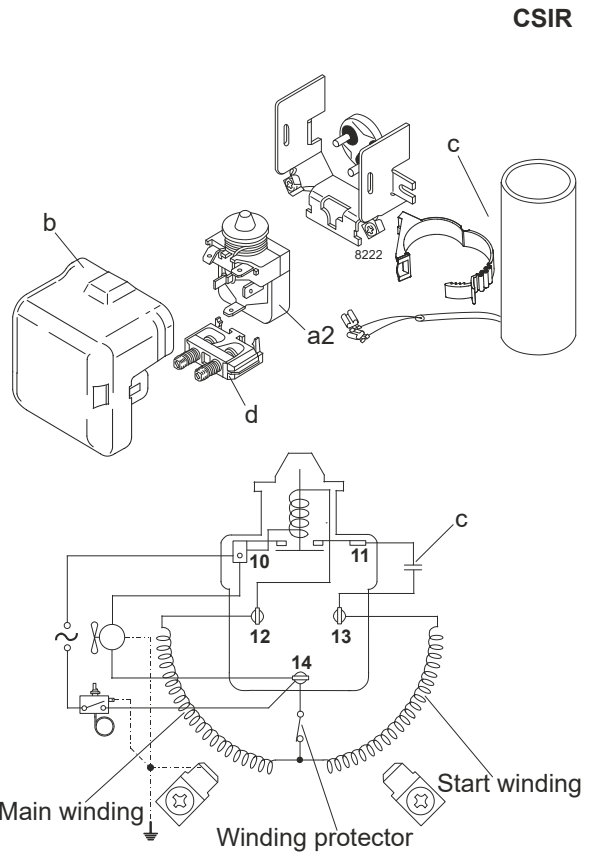
Model

Designation	SC10CLX	208-230V/60Hz	Conf. 1	Sales code:	104L2536
-------------	----------------	----------------------	----------------	-------------	-----------------

Configuration

Motorconfiguration	CSIR
Power supply (nominal)	208-230V/60Hz 1~
Refrigerant	R404A
Application	LBP
Voltage range	198-254V
Starting torque	HST
Approvals	UL CCC KC

Electrical accessories / wiring diagram

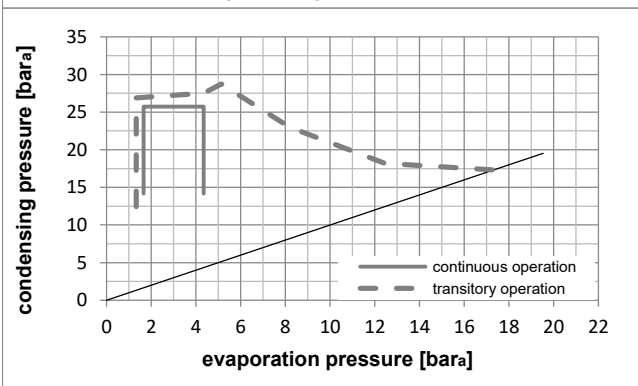
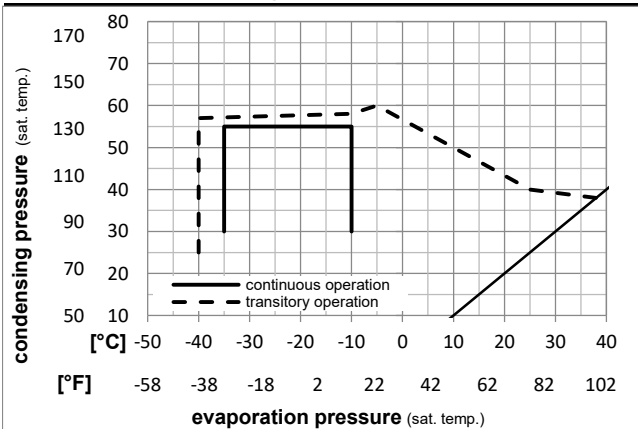


Ambient temperatures / system cooling

Ambient temperature min.:	10°C / 50°F
Ambient temperature max.:	38°C / 101°F

System cooling (n/a: outside limits)			
T ambient	LBP	MBP	HBP
32°C / 90°F	fan 3m/s	n/a	n/a
38°C / 100°F	fan 3m/s	n/a	n/a
43°C / 110°F	n/a	n/a	n/a

Operation pressure range



Components

a2	relay	117U6005
c	start capacitor (80µF)	117U5017
d	cord relief	103N1004
b	plastic cover	103N2008

Model

Designation **SC10CLX 208-230V/60Hz** Conf. 1 Sales code: **104L2536**

Optimization + standard conditions

R404A, 220V/60Hz, CSIR, fan 3m/s, UL, CCC, KC

Evaporating pressure (saturation temperature)		Condensing pressure (saturation temperature)				Return gas temp.		Liquid temp.		Cooling capacity			COP	EER	P1	Current consumption		Ref. mass flow	
pe	pc	RGT	Tliq		[W]	[Btu/h]	[kcal/h]	[W/W]	[Btu/Wh]	[kcal/Wh]	[W]	[A]	[kg/h]						
[°C]	-23,3	54,4	32,2	32,2	516,4	1764	444,4	1,16	3,95	0,99	446,9	2,63	12,03						ASHRAE LBP
[°F]	-10	130	90	90															
[°C]	-25	55	32	55	340,5	1163	293,0	0,81	2,77	0,70	420,0	2,54	10,64						cecomaf LBP
[°F]	-13	131	89,6	131															
[°C]	-35	40	20	40	262,4	896	225,8	0,81	2,76	0,69	324,9	2,25	7,13						EN12900 LBP
[°F]	-31	104	68	104															
[°C]	-23,3	48,9	4,44	48,9	391,6	1337	337,0	0,87	2,98	0,75	449,2	2,63	13,86						ARI540 LBP
[°F]	-10	120	40	120															
[°C]	-23,3	40,6	32,2	32,2	597,9	2042	514,6	1,34	4,58	1,15	445,8	2,61	13,93						AHAM LBP
[°F]	-10	105	90	90															
[°C]	-35	45	32	45	223,9	765	192,7	0,74	2,52	0,63	303,9	2,19	5,99						opt
[°F]	-31	113	89,6	113															

Performance tables

R404A, 220V/60Hz, CSIR, fan 3m/s, UL, CCC, KC

[°C / °F]	pe	Cooling capacity			COP	EER	P1	I	m		
	[°C]	[°F]	[W]	[Btu/h]	[kcal/h]	[W/W]	[Btu/Wh]	[kcal/Wh]	[W]	[A]	[kg/h]
	-35	-31	223,9	765	192,7	0,74	2,52	0,63	303,9	2,19	5,99
cond. pressure	-28,9	-20	360,4	1231	310,1	0,94	3,21	0,81	383,5	2,40	9,68
pc= 45/113	-26,1	-15	427,2	1459	367,7	1,02	3,50	0,88	416,9	2,51	11,51
return gas temp.	-23,3	-10	497,9	1700	428,5	1,11	3,78	0,95	449,7	2,62	13,45
RGT= 32/90	-20,6	-5	572,8	1956	492,9	1,19	4,05	1,02	482,6	2,75	15,53
liquid temp	-15	5	737,5	2519	634,7	1,34	4,56	1,15	552,1	3,02	20,15
Tliq= 45/113	-10	14	905,7	3093	779,4	1,45	4,96	1,25	623,2	3,30	24,94
	-35	-31	110,3	377	95,0	0,46	1,57	0,39	240,7	2,06	3,41
cond. pressure	-28,9	-20	248,4	848	213,8	0,70	2,39	0,60	354,8	2,34	7,73
pc= 55/131	-26,1	-15	313,7	1071	270,0	0,78	2,67	0,67	401,8	2,48	9,79
return gas temp	-23,3	-10	381,4	1302	328,2	0,85	2,91	0,73	446,8	2,63	11,94
RGT= 32/90	-20,6	-5	451,9	1543	388,9	0,92	3,14	0,79	490,7	2,79	14,21
liquid temp	-15	5	603,4	2061	519,3	1,04	3,56	0,90	578,2	3,13	19,14
Tliq= 55/131	-10	14	754,8	2578	649,6	1,14	3,90	0,98	661,0	3,47	24,16

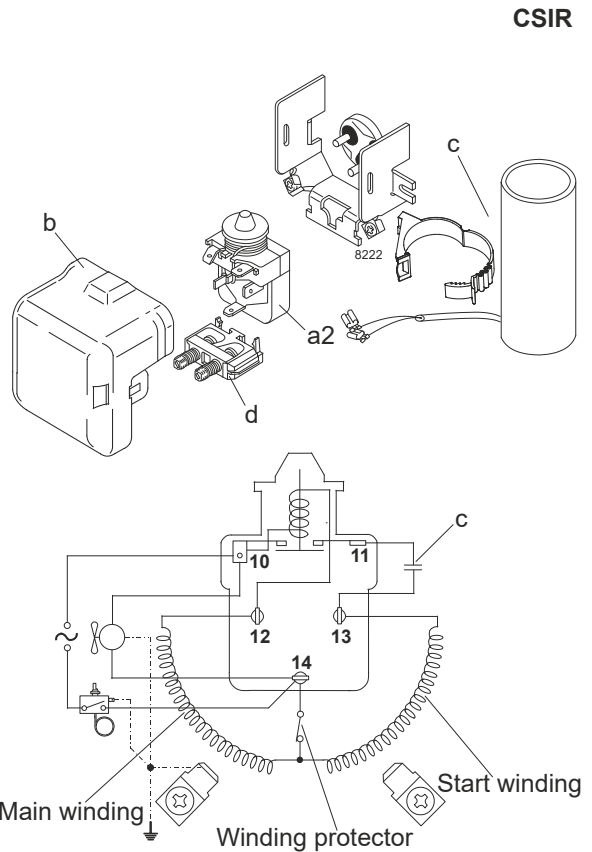
Model

Designation	SC10CLX	220-240V/50Hz	Conf. 2	Sales code:	104L2536
-------------	----------------	----------------------	----------------	-------------	-----------------

Configuration

Motorconfiguration	CSIR
Power supply (nominal)	220-240V/50Hz 1~
Refrigerant	R404A
Application	LBP+MBP
Voltage range	198-254V
Starting torque	HST
Approvals	UL CCC KC

Electrical accessories / wiring diagram

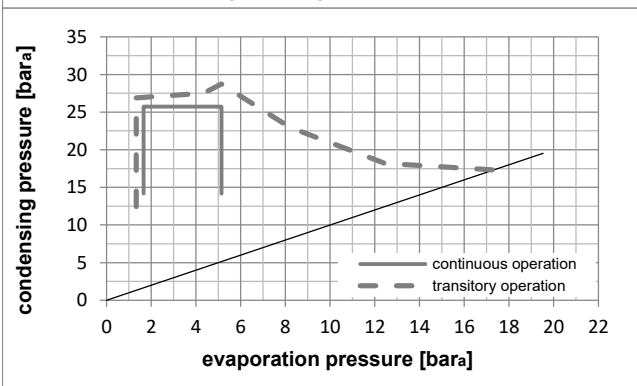
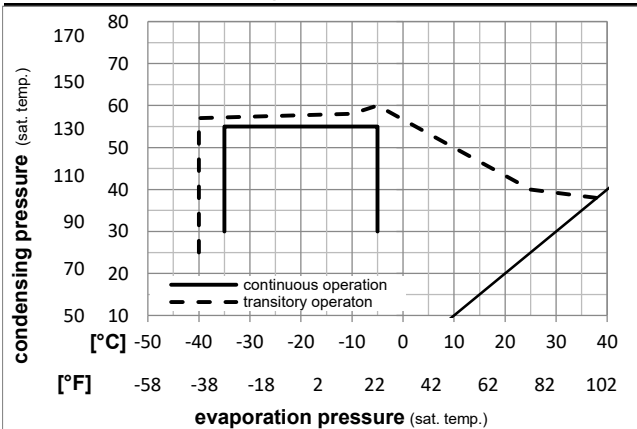


Ambient temperatures / system cooling

Ambient temperature min.:	10°C / 50°F
Ambient temperature max.:	38°C / 101°F

System cooling (n/a: outside limits)			
T ambient	LBP	MBP	HBP
32°C / 90°F	fan 3m/s	fan 3m/s	n/a
38°C / 100°F	fan 3m/s	fan 3m/s	n/a
43°C / 110°F	n/a	n/a	n/a

Operation pressure range



Components

a2	relay	117U6005
c	start capacitor (80µF)	117U5017
d	cord relief	103N1004
b	plastic cover	103N2008

Model

Designation **SC10CLX 220-240V/50Hz** Conf. 2 Sales code: **104L2536**

Optimization + standard conditions

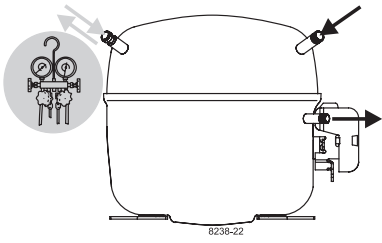
R404A, 220V/50Hz, CSIR, fan 3m/s, UL, CCC, KC

		Evaporating pressure (saturation temperature)				Condensing pressure (saturation temperature)						Power consumption			
						Return gas temp.			Liquid temp.			Current consumption			Ref. mass flow
						Cooling capacity			COP	EER	P1			I	m
		pe	pc	RGT	Tliq	[W]	[Btu/h]	[kcal/h]	[W/W]	[Btu/Wh]	[kcal/Wh]	[W]	[A]	[kg/h]	
[°C]	-23	54,4	32,2	32,2	394,8	1348	339,8	1,11	3,79	0,95	355,9	2,39	9,20	ASHRAE LBP	
[°F]	-10	130	90	90											
[°C]	-25	55	32	55	257,9	881	221,9	0,77	2,62	0,66	336,0	2,31	8,06	cecomaf LBP	
[°F]	-13	131	89,6	131											
[°C]	-35	40	20	40	194,0	663	167,0	0,74	2,51	0,63	263,7	2,03	5,27	EN12900 LBP	
[°F]	-31	104	68	104											
[°C]	-23	48,9	4,44	48,9	307,8	1051	264,9	0,84	2,88	0,73	365,2	2,39	10,90	ARI540 LBP	
[°F]	-10	120	40	120											
[°C]	-23	40,6	32,2	32,2	491,1	1677	422,7	1,33	4,54	1,14	369,7	2,37	11,44	AHAM LBP	
[°F]	-10	105	90	90											
[°C]	-35	45	32	45	165,8	566	142,7	0,64	2,20	0,55	257,7	2,00	4,43	opt	
[°F]	-31	113	89,6	113											

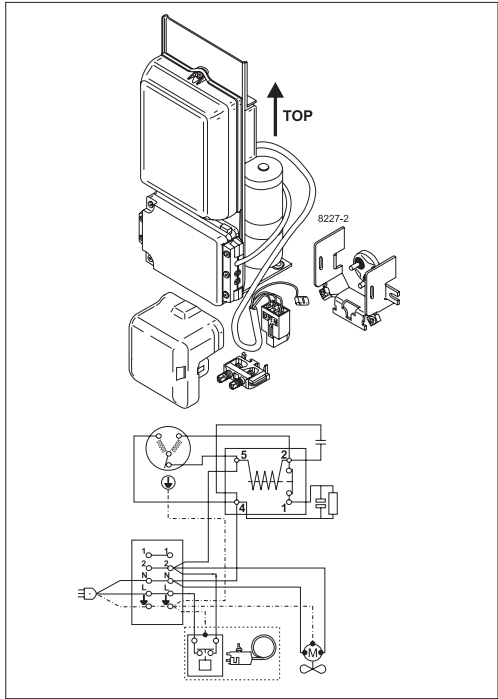
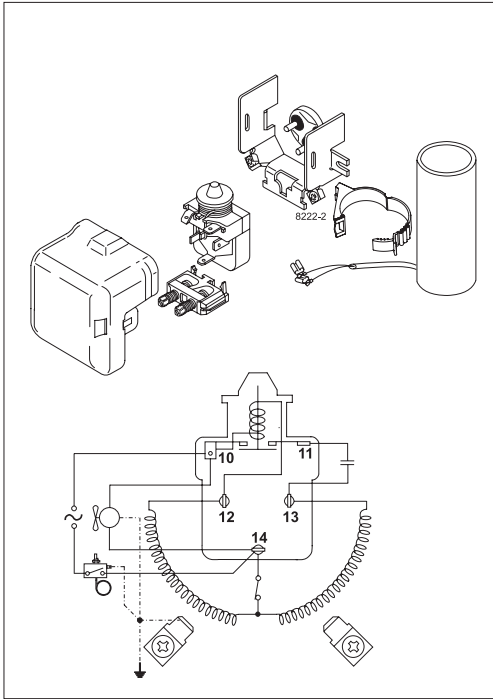
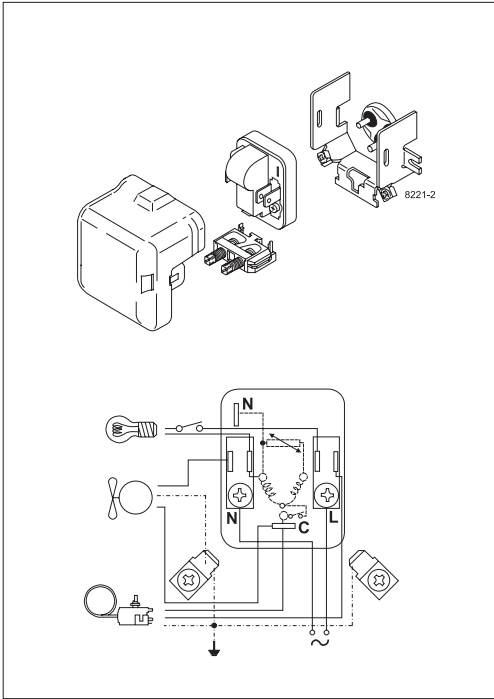
Performance tables

R404A, 220V/50Hz, CSIR, fan 3m/s, UL, CCC, KC

	pe		Cooling capacity			COP			EER			P1	I	m
	[°C]	[°F]	[W]	[Btu/h]	[kcal/h]	[W/W]	[Btu/Wh]	[kcal/Wh]	[W]	[A]	[kg/h]			
[°C / °F]	-35	-31	165,8	566	142,7	0,64	2,20	0,55	257,7	2,00	4,43			
cond. pressure	-29	-20	276,8	945	238,2	0,89	3,02	0,76	312,7	2,19	7,44			
pc= 45/113	-26	-15	335,1	1145	288,4	0,98	3,36	0,85	340,3	2,28	9,03			
return gas temp.	-23	-10	398,8	1362	343,2	1,08	3,69	0,93	368,8	2,38	10,78			
RGT= 32/90	-21	-5	468,2	1599	402,9	1,18	4,02	1,01	398,1	2,49	12,69			
liquid temp	-15	5	625,3	2136	538,1	1,37	4,67	1,18	457,0	2,72	17,08			
Tliq= 45/113	-5	23	977,0	3337	840,8	1,76	6,00	1,51	556,0	3,19	27,16			
[°C / °F]	-35	-31	94,0	321	80,9	0,39	1,33	0,33	242,1	1,93	2,91			
cond. pressure	-29	-20	187,8	641	161,7	0,64	2,17	0,55	295,4	2,16	5,84			
pc= 55/131	-26	-15	237,0	809	203,9	0,73	2,50	0,63	324,0	2,27	7,40			
return gas temp	-23	-10	290,6	993	250,1	0,82	2,80	0,71	354,7	2,38	9,10			
RGT= 32/90	-21	-5	349,1	1192	300,4	0,90	3,08	0,78	387,3	2,51	10,98			
liquid temp	-15	5	481,9	1646	414,7	1,06	3,61	0,91	456,3	2,77	15,28			
Tliq= 55/131	-5	23	781,3	2668	672,4	1,34	4,56	1,15	584,9	3,31	25,29			



SC Compressors





SC Compressors

Service/Repair – R290



8545



Secop accepts no responsibility for possible errors in catalogs, brochures, and other printed material. Secop reserves the right to alter its products without notice. This also applies to products already on order provided that such alterations can be made without subsequent changes being necessary to specifications already agreed. All trademarks in this material are the property of the respective companies. Secop and the Secop logotype are trademarks of Secop GmbH. All rights reserved. www.secop.com