

Single Pack SCE15MNX 220-240V 50Hz CSIR

Single pack code number: **195B4340**

Position	Title	Code	Amount
1	Compressor SCE15MNX	104H8549	1
2	Starting capacitor (80 μ F 220V, 6.3mm)	117U5017	1
3	Cord relief	103N1004	1
4	Bolt joint for one compressor M6 \varnothing 16mm	118-1917	1

Secop GmbH • Lise-Meitner-Straße 29 • 24941 Flensburg, Germany • Tel: +49 461 4941 0 • www.secop.com

Secop accepts no responsibility for possible errors in catalogs, brochures, and other printed material. Secop reserves the right to alter its products without notice. This also applies to products already on order provided that such alterations can be made without subsequent changes being necessary to specifications already agreed. All trademarks in this material are the property of the respective companies. Secop and the Secop logotype are trademarks of Secop GmbH. All rights reserved.

Model

Designation	SCE15MNX	220-240V/50Hz 1~	Sales code:	104H8549
-------------	-----------------	------------------	-------------	-----------------

Compressor design

Oil type	Polyolester	Refrigerant(s)	R290
Oil viscosity	32cSt	Displacement	15,28cm ³ / 0,93cu.in
Oil quantity	541cm ³ / 18,3fl.oz	Compressors on pallet	80
Refr. charge - tech. limit	550g / 19,4oz		
Free gas volume comp.	1460cm ³ / 49,4fl.oz		
Weight	14,2kg / 31,3lbs		
Motor protection	external		
Winding resistance main	4,07Ω (at 25°C)		
Winding resistance aux	15,88Ω (at 25°C)		
Max. winding temp.	125°C / 257°F		
Max. discharge temp.	130°C / 266°F		



General - Configurations with SCE15MNX

	Conf. 1
Motorconfiguration	CSIR
Power supply (nominal)	220-240V/50Hz
Number of phases	1
Voltage range	198-254V
Approvals	VDE
Starting torque	HST
Note	Protector, relay and cover are included and pre-assembled to compressor.

Applications with SCE15MNX

	Conf. 1
Refrigerant	R290
Application	MBP
System cooling	fan 3m/s
Hot gas defrost	OK
Long interval pull down	OK

Electrical data - Configurations with SCE15MNX

	Conf. 1
Starting device type	relay
Run capacitor	-/-
Start capacitor	80μF
LRA (locked rotor amps / 4s/ U(N))	17,47A
RLA (rated load amps / 1s/ U(N))	2,92A
Cut in current (U(N))	17,47A

Model

Designation

SCE15MNX

220-240V/50Hz 1~

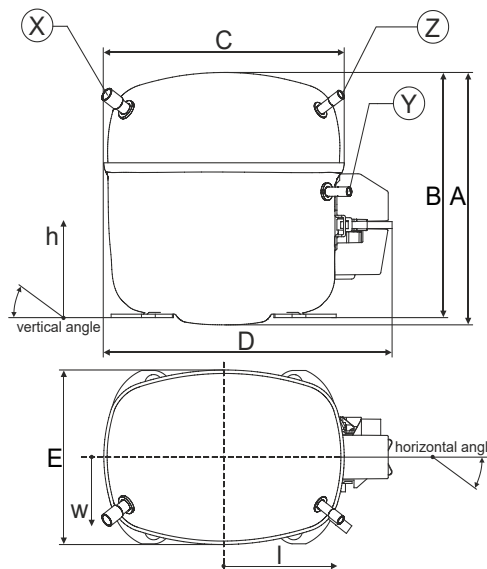
Sales code:

104H8549

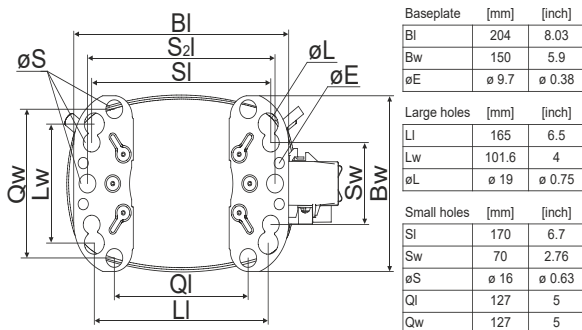
Compressor dimensions

Housing	A Height	219mm / 8,62in
	B Height	213mm / 8,39in
	C Length shell	218mm / 8,58in
	D Length w. cover	255mm / 10,04in
	E Width	151mm / 5,94in

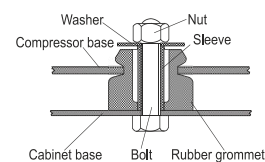
Connectors		Suction	Discharge	Process
		X	Y	Z
Diameter	[mm]	øi 10,11-10,29	øi 6,11-6,29	øi 6,11-6,29
(i:inside, o:outside)	[in]	øi 0,4-0,41	øi 0,24-0,25	øi 0,24-0,25
Material		copper	copper	copper
Horizontal angle	±2°	37°	37°	143°
Vertical angle	±2°	30°	0°	150°
Position l/h/w	[mm]	107/193/55	115/110/63	-107/193/55
	[in]	4,2/7,6/2,2	4,5/4,3/2,5	-4,2/7,6/2,2
Straight tube l.	[mm]	12	12	12
	[in]	0,5	0,5	0,5



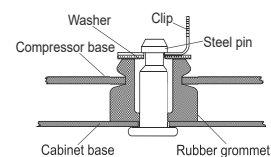
Compressor fixation



Bolt joint



Snap-on



Mounting accessories

Mounting accessories	one comp.	multi pack
Bolt joint M6 ø16mm	118-1917	118-1918
Bolt joint ø1/4" ø16mm	118-1946	
Bolt joint ø1/4" ø19mm	118-1949	
Snap-on ø7,3 ø16mm	118-1947	118-1919

Application notes

Provision for PE Grounding is located at the PE Stamp on the compressor

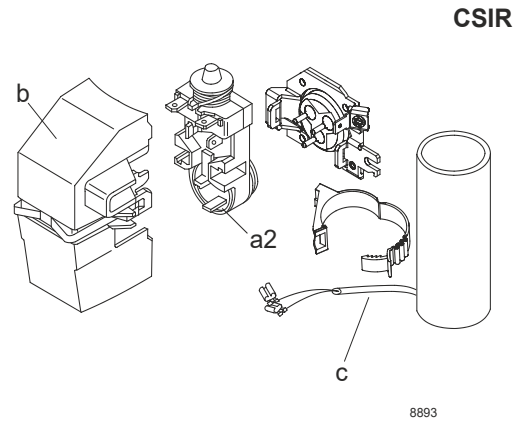
Model

Designation	SCE15MNX	220-240V/50Hz	Conf. 1	Sales code:	104H8549
-------------	-----------------	----------------------	----------------	-------------	-----------------

Configuration

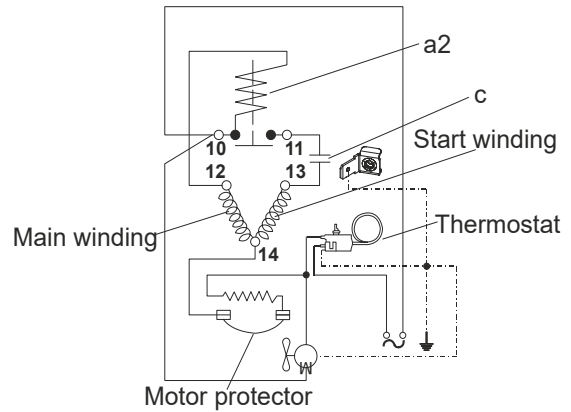
Motor configuration	CSIR
Power supply (nominal)	220-240V/50Hz 1~
Refrigerant	R290
Application	MBP
Voltage range	198-254V
Starting torque	HST
Approvals	VDE

Electrical accessories / wiring diagram

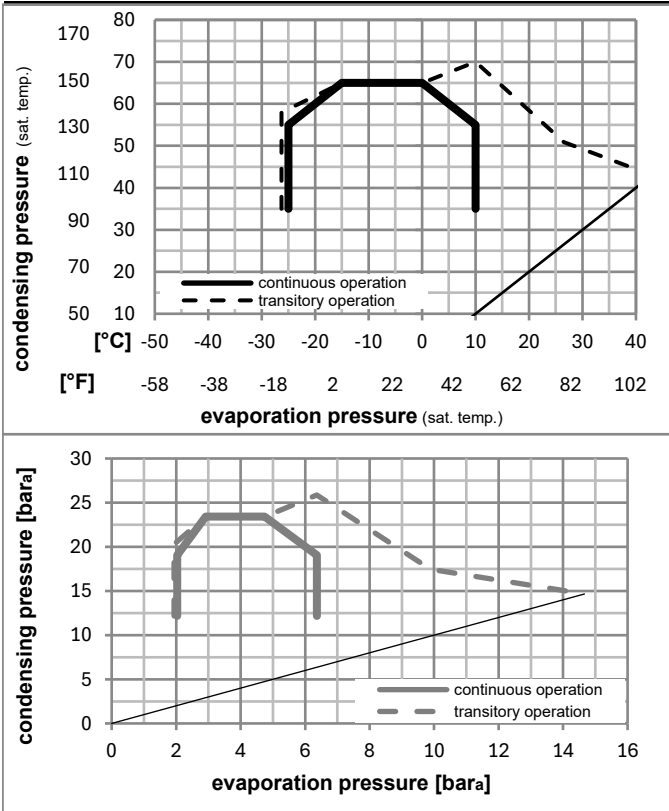


Ambient/ machine room temperatures minimum /maximum

Ambient temperature range:	10 - 43°C / 50 - 110°F
Machine room temperature range:	10 - 48°C / 50 - 119°F
Compressor cooling:	fan 3m/s



Operation pressure range



Components (relay (a2)+ cover (b): pre-assembled)

a2	assy. relay + ext. protector (T1133)	117U7405
c	start capacitor (80μF)	117U5017
d	cord relief	103N1004
b	plastic cover + clamp	117U1033

Model

Designation **SCE15MNX** **220-240V/50Hz** Conf. 1 Sales code: **104H8549**

Optimization + standard conditions

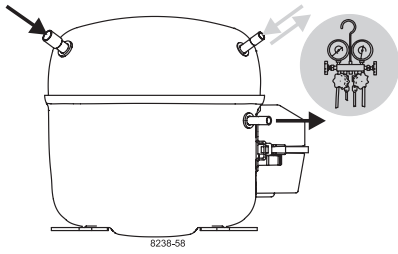
R290, 230V/50Hz, CSIR, fan 3m/s, VDE

Evaporating pressure (saturation temperature)					Condensing pressure (saturation temperature)						Power consumption			
					Return gas temp.			Liquid temp.			Current consumption			Ref. mass flow
					Cooling capacity			COP	EER		P1	I	m	
					[W]	[Btu/h]	[kcal/h]	[W/W]	[Btu/Wh]	[kcal/Wh]	[W]	[A]	[kg/h]	
[°C]	pe	pc	RGT	Tliq	[W]	[Btu/h]	[kcal/h]	[W/W]	[Btu/Wh]	[kcal/Wh]	[W]	[A]	[kg/h]	ASHRAE MBP
-7	54	35	46	1268,8	4333	1091,9	2,04	6,96	1,75	622,8	3,37	14,47		
[°F]	20	130	95	115										
-10	55	32	55	998,9	3411	859,7	1,69	5,77	1,45	591,4	3,26	12,64	cecomaf MBP	
[°F]	14	131	90	131										
-10	45	20	45	1121,9	3832	965,5	2,06	7,05	1,78	543,4	3,12	13,78	EN12900 MBP	
[°F]	14	113	68	113										
-7	49	18	49	1199,1	4095	1032,0	2,03	6,92	1,74	591,7	3,27	15,57	ARI540 MBP	
[°F]	20	120	65	120										
-10	45	32	45	1168,0	3989	1005,2	2,15	7,34	1,85	543,4	3,12	13,36	opt	
[°F]	14	113	90	113										
-25	45	32	45	584,9	1998	503,4	1,42	4,85	1,22	411,5	2,66	6,60	opt	
[°F]	-13	113	90	113										

Performance tables

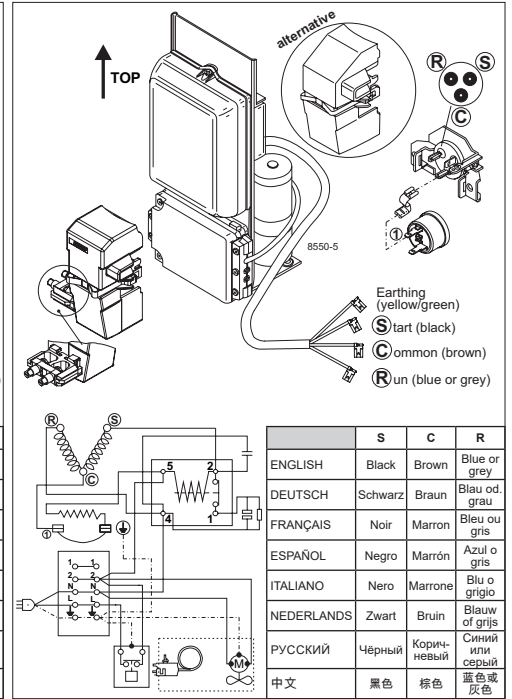
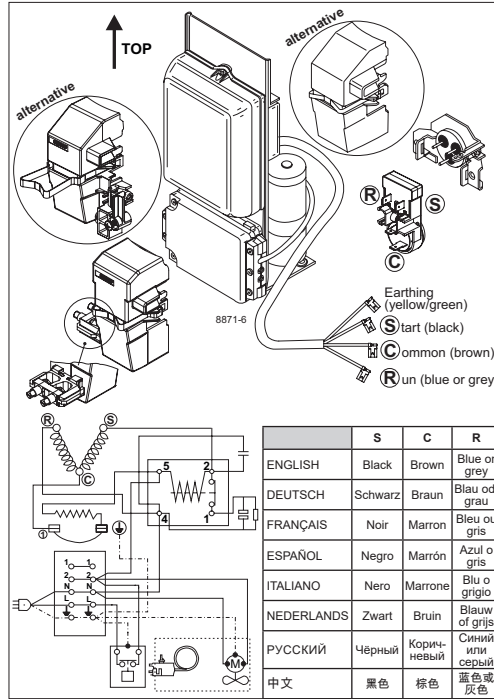
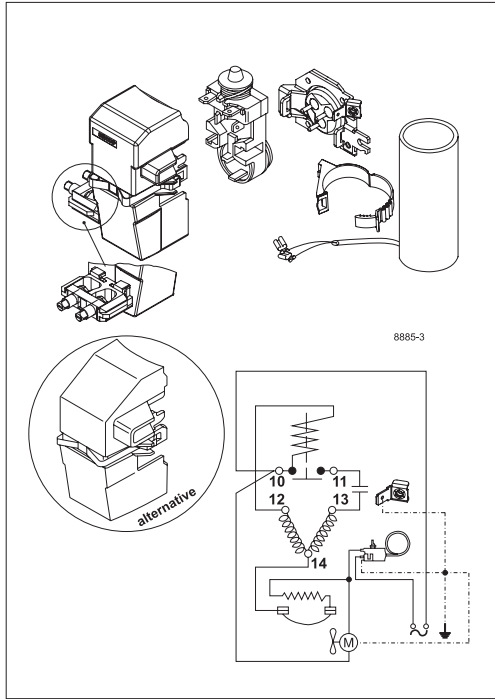
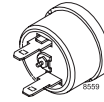
R290, 230V/50Hz, CSIR, fan 3m/s, VDE

	pe		Cooling capacity			COP	EER		P1	I	m
	[°C]	[°F]	[W]	[Btu/h]	[kcal/h]	[W/W]	[Btu/Wh]	[kcal/Wh]	[W]	[A]	[kg/h]
[°C / °F]	-25	-13	584,9	1998	503,4	1,42	4,85	1,22	411,5	2,66	6,60
cond. pressure	-20	-4	751,4	2566	646,7	1,64	5,61	1,41	457,6	2,82	8,51
pc= 45/113	-15	5	945,4	3229	813,6	1,88	6,43	1,62	502,2	2,98	10,76
return gas temp.	-10	14	1168,0	3989	1005,2	2,15	7,34	1,85	543,4	3,12	13,36
RGT= 32/90	0	32	1703,7	5819	1466,2	2,80	9,55	2,41	609,0	3,36	19,76
liquid temp	5	41	2019,1	6896	1737,7	3,21	10,95	2,76	629,9	3,44	23,62
Tliq= 45/113	10	50	2367,7	8086	2037,7	3,70	12,62	3,18	640,5	3,49	27,98
[°C / °F]	-25	-13	484,7	1655	417,2	1,14	3,90	0,98	424,7	2,65	6,04
cond. pressure	-20	-4	632,6	2160	544,4	1,31	4,49	1,13	481,0	2,85	7,91
pc= 55/131	-15	5	803,6	2744	691,6	1,50	5,11	1,29	537,2	3,06	10,10
return gas temp	-10	14	998,9	3411	859,7	1,69	5,77	1,45	591,4	3,26	12,64
RGT= 32/90	0	32	1466,9	5010	1262,4	2,13	7,29	1,84	687,2	3,63	18,84
liquid temp	5	41	1741,9	5949	1499,1	2,40	8,20	2,07	725,3	3,79	22,59
Tliq= 55/131	10	50	2045,7	6987	1760,6	2,71	9,26	2,33	754,6	3,94	26,82



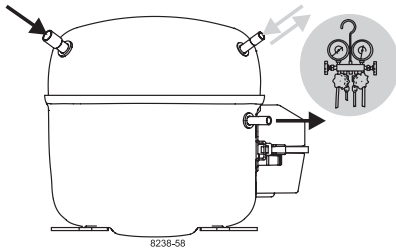
SCE Compressors

(External Protector)



	S	C	R
ENGLISH	Black	Brown	Blue or grey
DEUTSCH	Schwarz	Braun	Blau od. grau
FRANÇAIS	Noir	Marron	Bleu ou gris
ESPAÑOL	Negro	Marrón	Azul o gris
ITALIANO	Nero	Marrone	Blu o grigio
NEDERLANDS	Zwart	Bruin	Blauw of grijs
РУССКИЙ	Чёрный	Коричневый	Синий или серый
中文	黑色	棕色	蓝色或灰色

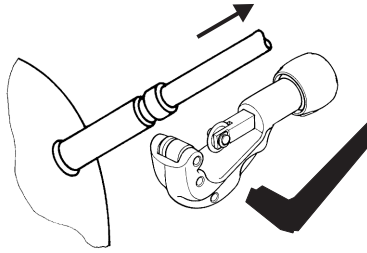
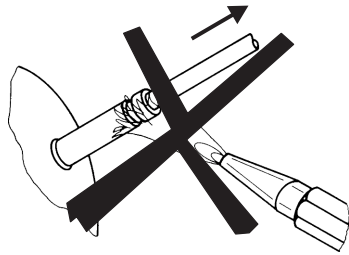
	S	C	R
ENGLISH	Black	Brown	Blue or grey
DEUTSCH	Schwarz	Braun	Blau od. grau
FRANÇAIS	Noir	Marron	Bleu ou gris
ESPAÑOL	Negro	Marrón	Azul o gris
ITALIANO	Nero	Marrone	Blu o grigio
NEDERLANDS	Zwart	Bruin	Blauw of grijs
РУССКИЙ	Чёрный	Коричневый	Синий или серый
中文	黑色	棕色	蓝色或灰色



SCE Compressors (External Protector)

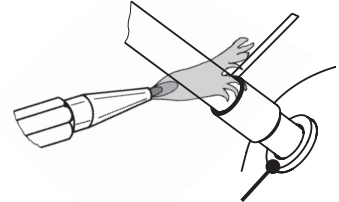


Service/Repair – R290



8545

Brazing on Suction Connectors (Direct Intake)



**! max. 350°C/662°F !
at socket**
brazing solder: phosphor (LP7) or silver

Refer to Product Bulletin:
Brazing on Suction Connectors
(SCE Compressors with Direct Suction Intake)

Secop accepts no responsibility for possible errors in catalogs, brochures, and other printed material. Secop reserves the right to alter its products without notice. This also applies to products already on order provided that such alterations can be made without subsequential changes being necessary to specifications already agreed. All trademarks in this material are the property of the respective companies. Secop and the Secop logotype are trademarks of Secop GmbH. All rights reserved. www.secop.com