

Single Pack SCE21CNLX 208-230V 60Hz CSCR

Single pack code number: **195B4345**

Position	Title	Code	Amount
1	Compressor SCE21CNLX	104H8173	1
2	SC starting device (550mm)	117-7811	1
3	Bolt joint for one compressor M6 ø16mm	118-1917	1

Secop GmbH • Lise-Meitner-Straße 29 • 24941 Flensburg, Germany • Tel: +49 461 4941 0 • www.secop.com

Secop accepts no responsibility for possible errors in catalogs, brochures, and other printed material. Secop reserves the right to alter its products without notice. This also applies to products already on order provided that such alterations can be made without subsequent changes being necessary to specifications already agreed. All trademarks in this material are the property of the respective companies. Secop and the Secop logotype are trademarks of Secop GmbH. All rights reserved.

Model

Designation	SCE21CNLX	208-230V/60Hz 1~	Sales code:	104H8173
-------------	------------------	------------------	-------------	-----------------

Compressor design

Oil type	Polyolester	Refrigerant(s)	R290
Oil viscosity	32cSt	Displacement	20,95cm ³ / 1,28cu.in
Oil quantity	550cm ³ / 18,6fl.oz	Compressors on pallet	80
Refr. charge - tech. limit	550g / 19,4oz		
Free gas volume comp.	1460cm ³ / 49,4fl.oz		
Weight	14,2kg / 31,3lbs		
Motor protection	external		
Winding resistance main	2,76Ω (at 25°C)		
Winding resistance aux	11,08Ω (at 25°C)		
Max. winding temp.	125°C / 257°F		
Max. discharge temp.	140°C / 284°F		



General - Configurations with SCE21CNLX

	Conf. 1
Motorconfiguration	CSCR
Power supply (nominal)	208-230V/60Hz
Number of phases	1
Voltage range	187-253V
Approvals	UL
Starting torque	HST
Note	Protector and cover are included and pre-assembled to compressor.

Applications with SCE21CNLX

	Conf. 1
Refrigerant	R290
Application	LBP
System cooling	fan 3m/s
Hot gas defrost	OK
Long interval pull down	-/-

Electrical data - Configurations with SCE21CNLX

	Conf. 1
Starting device type	relay
Run capacitor	10μF
Start capacitor	80μF
LRA (locked rotor amps / 4s/ U(N))	25,43A
RLA (rated load amps / 1s/ U(N))	3,86A
Cut in current (U(N))	25,43A

Model

Designation

SCE21CNLX

208-230V/60Hz 1~

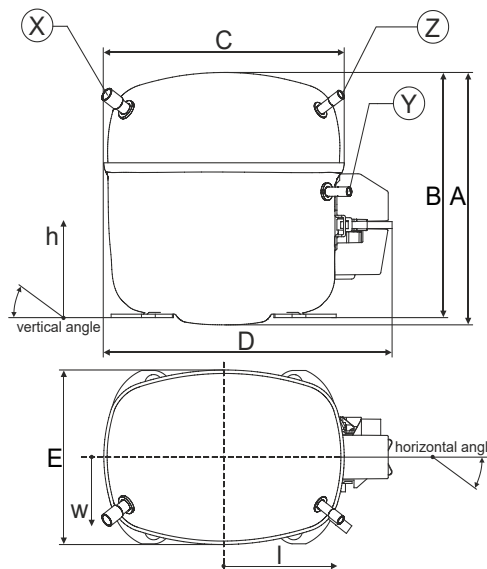
Sales code:

104H8173

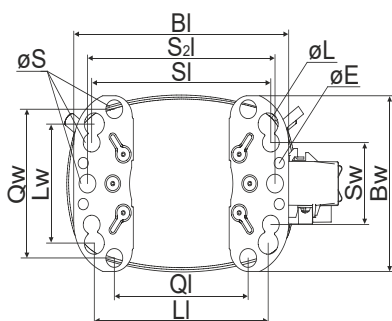
Compressor dimensions

Housing	A Height	219mm / 8,62in
	B Height	213mm / 8,39in
	C Length shell	218mm / 8,58in
	D Length w. cover	255mm / 10,04in
	E Width	151mm / 5,94in

Connectors		Suction	Discharge	Process
		X	Y	Z
Diameter	[mm]	øi 9,54-9,72	øi 6,41-6,59	øi 6,41-6,59
(i:inside, o:outside)	[in]	øi 0,38-0,38	øi 0,25-0,26	øi 0,25-0,26
Material		copper	copper	copper
Horizontal angle	±2°	37°	37°	143°
Vertical angle	±2°	30°	0°	150°
Position l/h/w	[mm]	107/193/55	115/110/63	-107/193/55
	[in]	4,2/7,6/2,2	4,5/4,3/2,5	-4,2/7,6/2,2
Straight tube l.	[mm]	12	12	12
	[in]	0,5	0,5	0,5

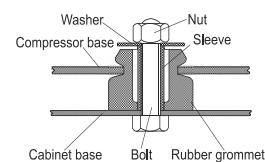


Compressor fixation

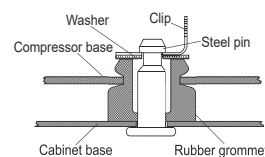


Baseplate	[mm]	[inch]
BI	204	8.03
Bw	150	5.9
øE	ø 9.7	ø 0.38
Large holes	[mm]	[inch]
LI	165	6.5
Lw	101.6	4
øL	ø 19	ø 0.75
Small holes	[mm]	[inch]
SI	170	6.7
Sw	70	2.76
øS	ø 16	ø 0.63
QI	127	5
Qw	127	5

Bolt joint



Snap-on



Mounting accessories

	one comp.	multi pack
Bolt joint M6 ø16mm	118-1917	118-1918
Bolt joint ø1/4" ø16mm	118-1946	
Bolt joint ø1/4" ø19mm	118-1949	
Snap-on ø7,3 ø16mm	118-1947	118-1919

Application notes

Provision for PE Grounding is located at the PE Stamp on the compressor

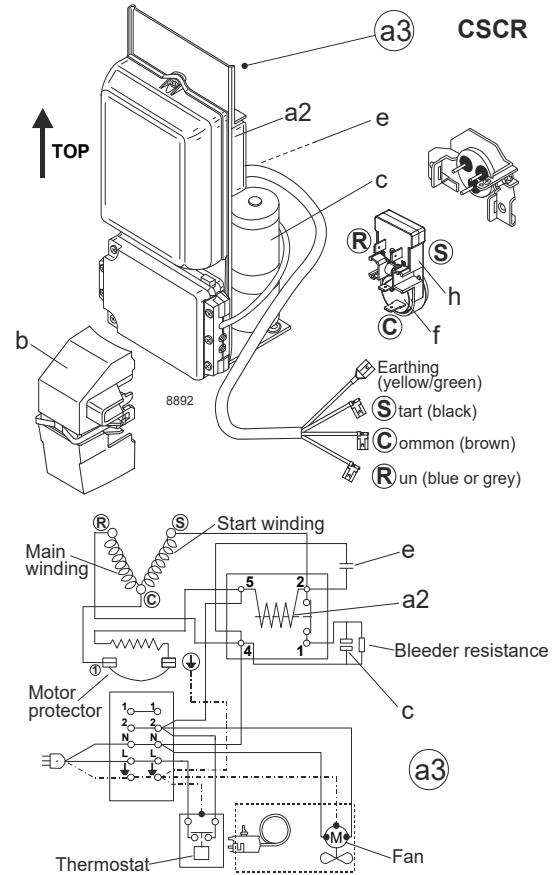
Model

Designation	SCE21CNLX	208-230V/60Hz	Conf. 1	Sales code:	104H8173
-------------	------------------	----------------------	----------------	-------------	-----------------

Configuration

Motor configuration	CSCR
Power supply (nominal)	208-230V/60Hz 1~
Refrigerant	R290
Application	LBP
Voltage range	187-253V
Starting torque	HST
Approvals	UL

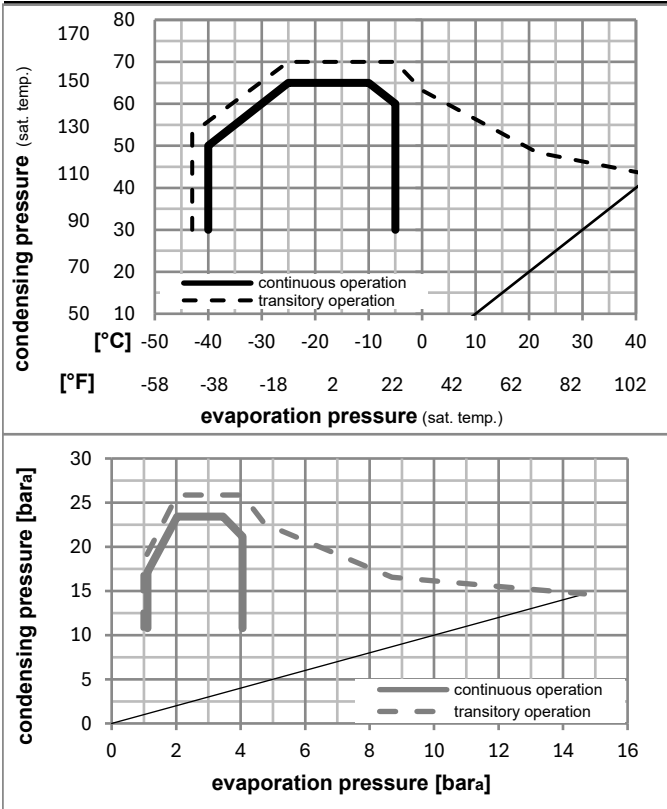
Electrical accessories / wiring diagram



Ambient/ machine room temperatures minimum /maximum

Ambient temperature range:	10 - 43°C / 50 - 110°F
Machine room temperature range:	10 - 48°C / 50 - 119°F
Compressor cooling:	fan 3m/s

Operation pressure range



Components (protector (f)+ holder (h)+ cover (b): pre assembled)

a3	SC starter kit (550mm)	117-7811
f / h	motor protector assy. (T1118)	117U8006
b	plastic cover + clamp	117U1021

Alternative comp.

a3	SC starter kit (1000mm)	117-7814
a2	potential relay (RVA2AL3R A92)	117-7603
e	run capacitor (10µF, 6.3mm)	117-7121
c	start capacitor (80µF)	117U5373

Noise emission

Operation pressures:	pe: -25°C / -13°F
	pc: 45°C / 113°F
Motor speed appr.:	3500rpm
Lw(A):	58dB(A)

Model

Designation **SCE21CNLX** **208-230V/60Hz** Conf. 1 Sales code: **104H8173**

Optimization + standard conditions

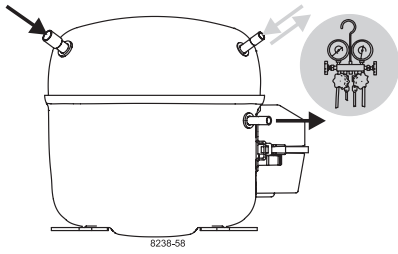
R290, 230V/60Hz, CSCR, fan 3m/s, UL

		Evaporating pressure (saturation temperature)				Cooling capacity			COP	EER	Power consumption				
		Condensing pressure (saturation temperature)		Return gas temp.	Liquid temp.	[W]	[Btu/h]	[kcal/h]	[W/W]	[Btu/Wh]	[kcal/Wh]	P1	I	Ref. mass flow	
		pe	pc	RGT	Tliq							[W]	[A]	[kg/h]	
[°C]	[°F]	[°C]	[°F]	[°C]	[°C]										
-23	-10	54	130	32	32	1099,3	3754	946,1	1,65	5,62	1,42	667,8	3,04	11,13	ASHRAE LBP
-25	-13	55	131	32	55	810,3	2767	697,3	1,28	4,36	1,10	634,0	2,90	10,09	cecomaf LBP
-35	-31	40	104	20	40	601,9	2055	518,0	1,25	4,26	1,07	482,4	2,33	6,88	EN12900 LBP
-23	-10	49	120	4,4	49	913,1	3119	785,9	1,36	4,65	1,17	670,4	3,08	12,65	ARI540 LBP
-23	-10	41	105	32	32	1232,9	4211	1061,0	1,88	6,41	1,61	657,1	3,01	12,49	AHAM LBP
-35	-31	45	113	32	45	559,9	1912	481,8	1,18	4,02	1,01	475,5	2,34	6,27	opt

Performance tables

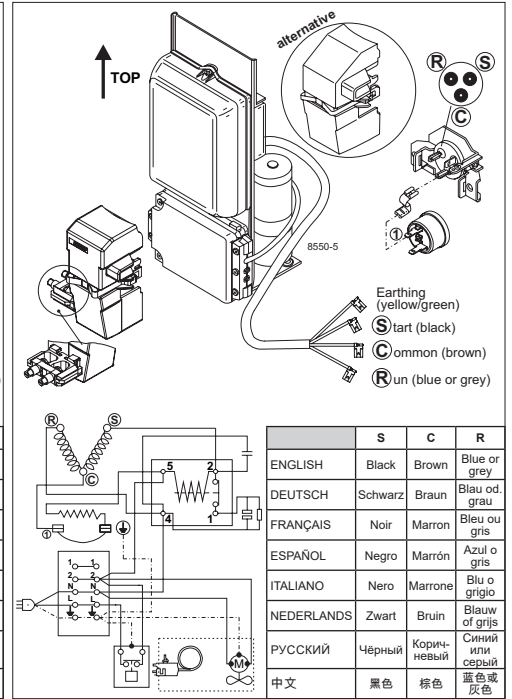
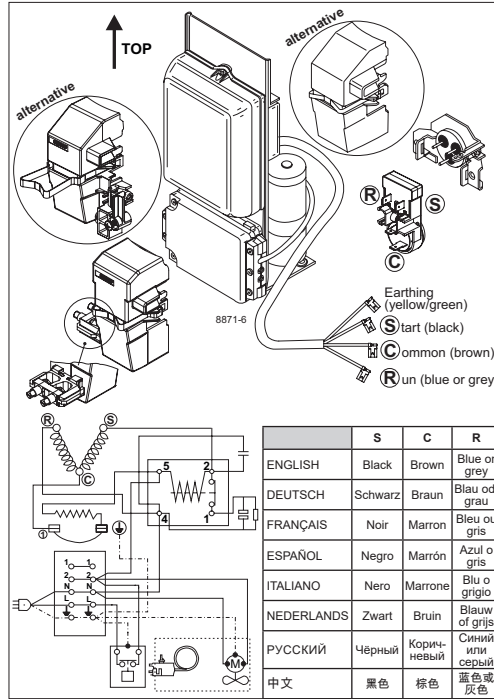
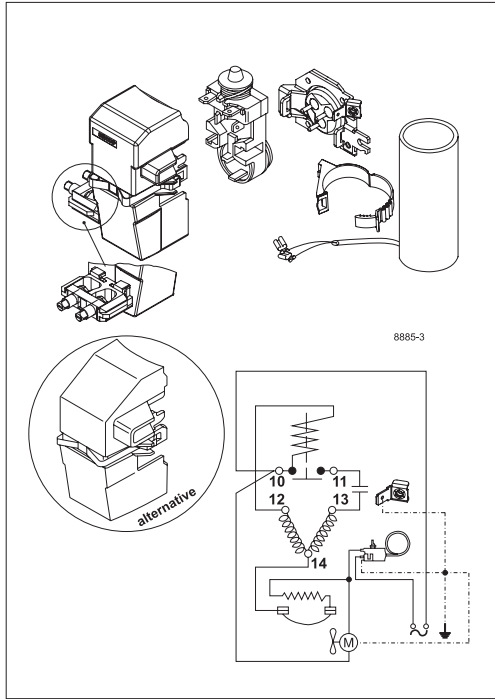
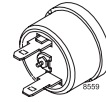
R290, 230V/60Hz, CSCR, fan 3m/s, UL

	pe		Cooling capacity			COP	EER	P1	I	m	
	[°C]	[°F]	[W]	[Btu/h]	[kcal/h]	[W/W]	[Btu/Wh]	[kcal/Wh]	[W]	[A]	[kg/h]
[°C / °F]	-40	-40	394,8	1348	339,8	1,00	3,42	0,86	394,6	2,07	4,41
cond. pressure	-34	-30	580,1	1981	499,2	1,20	4,09	1,03	484,6	2,37	6,50
pc= 45/113	-29	-20	804,7	2748	692,5	1,40	4,77	1,20	576,3	2,71	9,05
return gas temp.	-23	-10	1073,4	3666	923,8	1,61	5,50	1,39	666,6	3,07	12,12
RGT= 32/90	-21	-5	1225,9	4187	1055,0	1,73	5,89	1,49	710,2	3,25	13,87
liquid temp	-15	5	1569,7	5361	1350,9	1,98	6,77	1,70	792,4	3,60	17,86
Tliq= 45/113	-5	23	2333,3	7969	2008,0	2,55	8,71	2,20	914,7	4,13	26,86
[°C / °F]	-40	-40	265,6	907	228,5	0,76	2,60	0,66	348,2	1,85	3,27
cond. pressure	-34	-30	439,6	1501	378,3	0,98	3,34	0,84	450,0	2,19	5,44
pc= 55/131	-29	-20	645,1	2203	555,2	1,16	3,95	1,00	557,3	2,59	8,01
return gas temp	-23	-10	886,9	3029	763,3	1,33	4,54	1,14	666,9	3,03	11,06
RGT= 32/90	-21	-5	1022,9	3493	880,3	1,42	4,84	1,22	721,6	3,26	12,79
liquid temp	-15	5	1328,1	4536	1143,0	1,60	5,47	1,38	828,8	3,72	16,70
Tliq= 55/131	-5	23	2002,2	6838	1723,1	1,99	6,80	1,71	1005,5	4,52	25,51



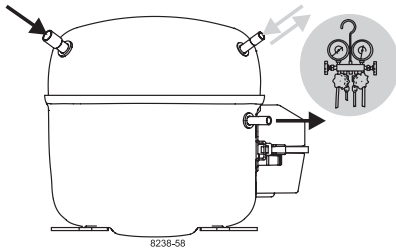
SCE Compressors

(External Protector)



	S	C	R
ENGLISH	Black	Brown	Blue or grey
DEUTSCH	Schwarz	Braun	Blau od. grau
FRANÇAIS	Noir	Marron	Bleu ou gris
ESPAÑOL	Negro	Marrón	Azul o gris
ITALIANO	Nero	Marrone	Blu o grigio
NEDERLANDS	Zwart	Bruin	Blauw of grijs
РУССКИЙ	Чёрный	Коричневый	Синий или серый
中文	黑色	棕色	蓝色或灰色

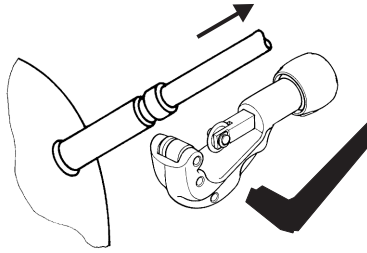
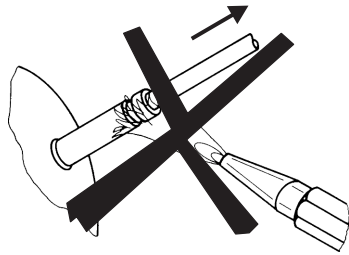
	S	C	R
ENGLISH	Black	Brown	Blue or grey
DEUTSCH	Schwarz	Braun	Blau od. grau
FRANÇAIS	Noir	Marron	Bleu ou gris
ESPAÑOL	Negro	Marrón	Azul o gris
ITALIANO	Nero	Marrone	Blu o grigio
NEDERLANDS	Zwart	Bruin	Blauw of grijs
РУССКИЙ	Чёрный	Коричневый	Синий или серый
中文	黑色	棕色	蓝色或灰色



SCE Compressors (External Protector)

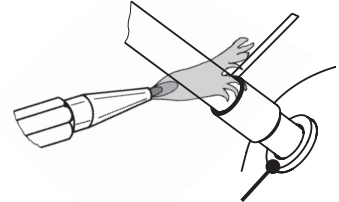


Service/Repair – R290



8545

Brazing on Suction Connectors (Direct Intake)



! max. 350°C/662°F !
at socket
brazing solder: phosphor (LP7) or silver

8882

Refer to Product Bulletin:
Brazing on Suction Connectors
(SCE Compressors with Direct Suction Intake)

Secop accepts no responsibility for possible errors in catalogs, brochures, and other printed material. Secop reserves the right to alter its products without notice. This also applies to products already on order provided that such alterations can be made without subsequential changes being necessary to specifications already agreed. All trademarks in this material are the property of the respective companies. Secop and the Secop logotype are trademarks of Secop GmbH. All rights reserved. www.secop.com