

## Single Pack NLE10MF 220-240V 50Hz CSIR

Single pack code number: **195B4369**

Position	Title	Code	Amount
1	Compressor NLE10MF	105G6888	1
2	Starting relay	117U6003	1
3	Starting capacitor (80 $\mu$ F 220V, 6.3mm)	117U5015	1
4	Cord relief	103N1010	1
5	Cover	103N2010	1
6	Bolt joint for one compressor   M6   $\varnothing$ 16mm	118-1917	1

Secop GmbH • Lise-Meitner-Straße 29 • 24941 Flensburg, Germany • Tel: +49 461 4941 0 • [www.secop.com](http://www.secop.com)

Secop accepts no responsibility for possible errors in catalogs, brochures, and other printed material. Secop reserves the right to alter its products without notice. This also applies to products already on order provided that such alterations can be made without subsequent changes being necessary to specifications already agreed. All trademarks in this material are the property of the respective companies. Secop and the Secop logotype are trademarks of Secop GmbH. All rights reserved.

**Model**

Designation	<b>NLE10MF</b>	<b>220-240V/50Hz 1~</b>	Sales code:	<b>105G6888</b>
-------------	----------------	-------------------------	-------------	-----------------

**Compressor design**

Oil type	Polyolester	Refrigerant(s)	<b>R134a</b>
Oil viscosity	19,2cSt	Displacement	10,09cm <sup>3</sup> / 0,62cu.in
Oil quantity	301cm <sup>3</sup> / 10,2fl.oz	Compressors on pallet	80
Refr. charge - tech. limit	400g / 14,1oz		
Free gas volume comp.	2360cm <sup>3</sup> / 79,8fl.oz		
Weight	10,5kg / 23,1lbs		
Motor protection	1# internal		
Winding resistance main	6,1Ω (at 25°C)		
Winding resistance aux	16Ω (at 25°C)		
Max. winding temp.	125°C / 257°F		
Max. discharge temp.	110°C / 230°F		



**General - Configurations with NLE10MF**

	<b>Conf. 1</b>	<b>Conf. 2</b>
Motorconfiguration	CSIR	RSIR
Power supply (nominal)	220-240V/50Hz	220-240V/50Hz
Number of phases	1	1
Voltage range	198-254V	198-254V
Approvals	VDE	VDE
Starting torque	HST	LST
Note	- / -	

**Applications with NLE10MF**

	<b>Conf. 1</b>	<b>Conf. 2</b>
Refrigerant	R134a	R134a
Application	LBP+MBP	LBP+MBP
System cooling	fan 1,5m/s	fan 1,5m/s
Hot gas defrost	-/-	-/-
Long interval pull down	OK	OK

**Electrical data - Configurations with NLE10MF**

	<b>Conf. 1</b>	<b>Conf. 2</b>
Starting device type	relay	PTC
Run capacitor	-/-	-/-
Start capacitor	80μF	-/-
LRA (locked rotor amps / 4s)	13,7A	12,1A
RLA (rated load amps / 1s)	2,5A	2,5A
Cut in current	13,7A	15,6A
IP class	21	21

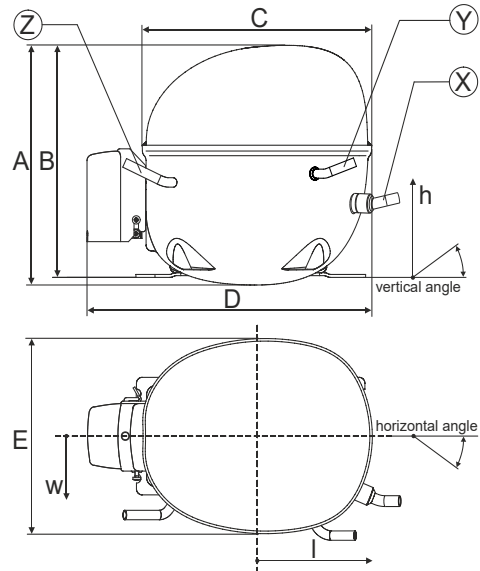
**Model**

Designation	<b>NLE10MF</b>	<b>220-240V/50Hz 1~</b>	Sales code:	<b>105G6888</b>
-------------	----------------	-------------------------	-------------	-----------------

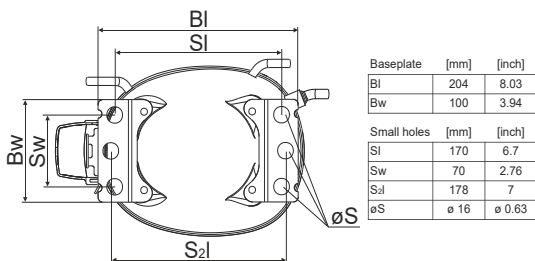
**Compressor dimensions**

<b>Housing</b>	A Height	203mm / 7,99in
	B Height	197mm / 7,76in
	C Length shell	205mm / 8,07in
	D Length w. cover	254mm / 10in
	E Width	166mm / 6,54in

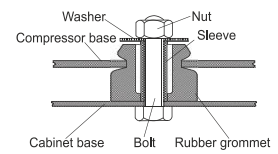
<b>Connectors</b>		<b>Suction</b>	<b>Discharge</b>	<b>Process</b>
		<b>X</b>	<b>Y</b>	<b>Z</b>
Diameter	[mm]	øi 8,11-8,29	øi 6,11-6,29	øi 6,11-6,29
(i:inside, o:outside)	[in]	øi 0,32-0,33	øi 0,24-0,25	øi 0,24-0,25
Material		copper	copper	copper
Horizontal angle	±2°	0°	0°	0°
Vertical angle	±2°	15°	35°	155°
Position l/h/w	[mm]	126/76/78	133/103/54	-107/94/72
	[in]	5/3/3,1	5,2/4/2,1	-4,2/3,7/2,8
Straight tube l.	[mm]	12	12	12
	[in]	0,5	0,5	0,5



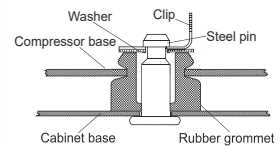
**Compressor fixation**



**Bolt joint**



**Snap-on**



**Mounting accessories**

	one comp.	multi pack
Bolt joint   M6   ø16mm	118-1917	118-1918
Bolt joint   ø1/4"   ø16mm	118-1946	
Snap-on   ø7,3   ø16mm	118-1947	118-1919

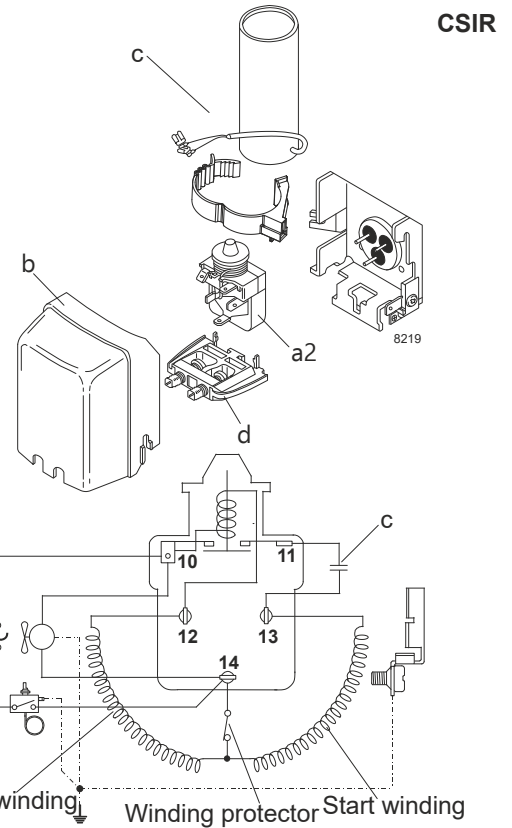
**Model**

Designation	<b>NLE10MF</b>	<b>220-240V/50Hz</b>	<b>Conf. 1</b>	Sales code:	<b>105G6888</b>
-------------	----------------	----------------------	----------------	-------------	-----------------

**Configuration**

Motorconfiguration	CSIR
Power supply (nominal)	220-240V/50Hz 1~
Refrigerant	R134a
Application	LBP+MBP
Voltage range	198-254V
Starting torque	HST
Approvals	VDE

**Electrical accessories / wiring diagram**

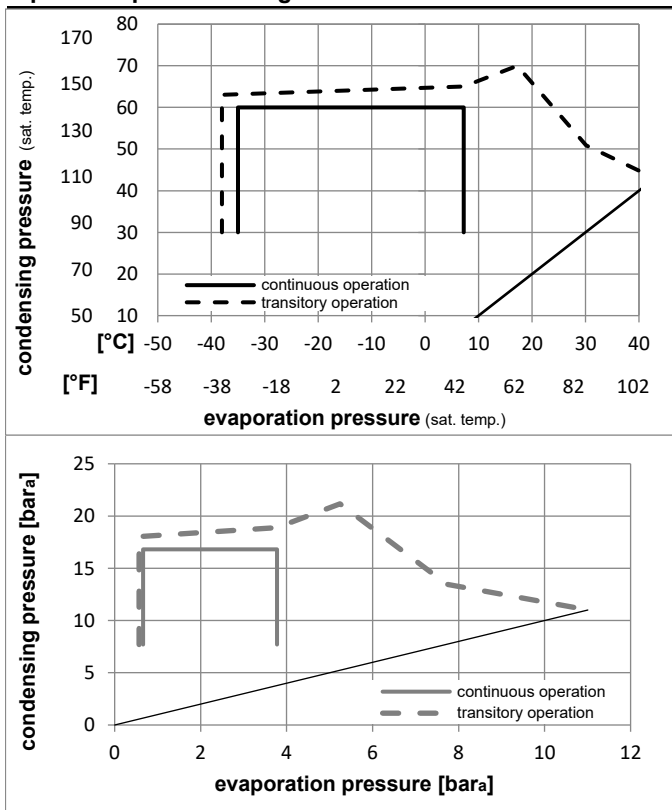


**Ambient temperatures / system cooling**

Ambient temperature min.:	10°C / 50°F
Ambient temperature max.:	43°C / 110°F

System cooling (n/a: outside limits)			
T ambient	LBP	MBP	HBP
32°C / 90°F	fan 1,5m/s	fan 1,5m/s	n/a
38°C / 100°F	fan 1,5m/s	fan 1,5m/s	n/a
43°C / 110°F	fan 1,5m/s	fan 1,5m/s	n/a

**Operation pressure range**



**Components**

a2	assy. relay	117U6003
c	start capacitor (80µF)	117U5015
b	plastic cover	103N2010
d	cord relief	103N1010

**Alternative components**

b	plastic cover	103N2011
---	---------------	----------

**Model**

Designation **NLE10MF 220-240V/50Hz** Conf. 1 Sales code: **105G6888**

**Optimization + standard conditions**

220-240V/50Hz 1~, CSIR, fan 1,5m/s, VDE

	Evaporating pressure (saturation temperature)				Condensing pressure (saturation temperature)						Power consumption			ASHRAE MBP
	pe	pc	RGT	Tliq	Cooling capacity			COP	EER	P1	I	Ref. mass flow		
	[°C]	[°C]	[°C]	[°C]	[W]	[Btu/h]	[kcal/h]	[W/W]	[Btu/Wh]	[kcal/Wh]	[W]	[A]	[kg/h]	
	-6,66	54,4	35	46,1	568,9	1943	489,6	1,71	5,84	1,47	332,8	2,10	12,41	ASHRAE MBP
	[°F]	20	130	95	115									
	-10	55	32	55	439,5	1501	378,3	1,43	4,87	1,23	308,0	2,00	10,63	cecomaf MBP
	[°F]	14	131	89,6	131									
	-10	45	20	45	495,8	1693	426,7	1,69	5,78	1,46	292,9	1,92	11,61	EN12900 MBP
	[°F]	14	113	68	113									
	-6,66	48,9	18,3	48,9	540,5	1846	465,2	1,68	5,73	1,44	322,3	2,05	13,35	ARI540 MBP
	[°F]	20	120	65	120									
	-10	45	32	45	514,4	1757	442,7	1,76	6,00	1,51	292,9	1,92	11,26	opt
	[°F]	14	113	89,6	113									
	-25	45	32	45	237,1	810	204,0	1,21	4,14	1,04	195,5	1,62	5,14	opt
	[°F]	-13	113	89,6	113									

**Performance tables**

220-240V/50Hz 1~, CSIR, fan 1,5m/s, VDE

	pe	Cooling capacity			COP	EER	P1	I	m		
	[°C]	[°F]	[W]	[Btu/h]	[kcal/h]	[W/W]	[Btu/Wh]	[kcal/Wh]	[W]	[A]	[kg/h]
[°C / °F]	-35	-31	120,6	412	103,8	0,88	3,01	0,76	136,9	1,52	2,60
cond. pressure	-25	-13	237,1	810	204,0	1,21	4,14	1,04	195,5	1,62	5,14
pc= 45/113	-15	5	405,0	1383	348,6	1,56	5,33	1,34	259,7	1,80	8,83
return gas temp.	-10	14	514,4	1757	442,7	1,76	6,00	1,51	292,9	1,92	11,26
RGT= 32/90	-5	23	643,9	2199	554,2	1,97	6,74	1,70	326,5	2,05	14,16
liquid temp	0	32	796,0	2719	685,1	2,21	7,55	1,90	360,0	2,21	17,60
Tliq= 45/113	7,2	45	1059,6	3619	911,9	2,60	8,88	2,24	407,5	2,48	23,67
[°C / °F]	-35	-31	88,0	301	75,7	0,66	2,25	0,57	133,7	1,43	2,09
cond. pressure	-25	-13	194,5	664	167,4	0,98	3,36	0,85	197,9	1,60	4,65
pc= 55/131	-15	5	343,2	1172	295,4	1,27	4,34	1,09	270,0	1,84	8,26
return gas temp	-10	14	439,5	1501	378,3	1,43	4,87	1,23	308,0	2,00	10,63
RGT= 32/90	-5	23	553,7	1891	476,5	1,60	5,45	1,37	346,9	2,17	13,46
liquid temp	0	32	688,1	2350	592,2	1,78	6,08	1,53	386,3	2,36	16,83
Tliq= 55/131	7,2	45	922,1	3149	793,6	2,08	7,11	1,79	443,1	2,67	22,81

**Model**

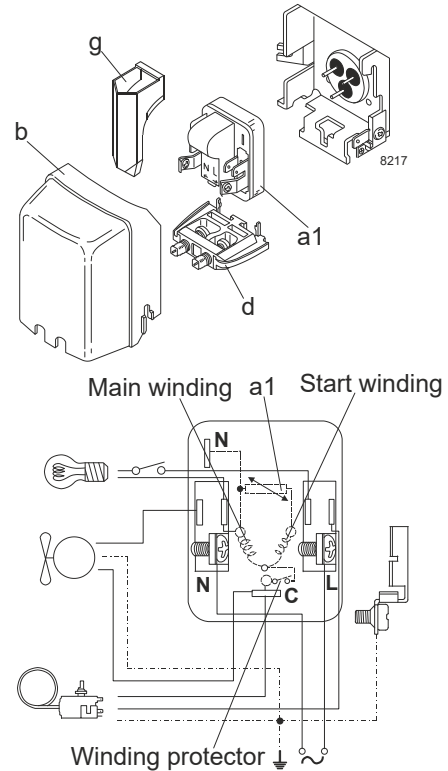
Designation	<b>NLE10MF</b>	<b>220-240V/50Hz</b>	<b>Conf. 2</b>	Sales code:	<b>105G6888</b>
-------------	----------------	----------------------	----------------	-------------	-----------------

**Configuration**

Motorconfiguration	RSIR
Power supply (nominal)	220-240V/50Hz 1~
Refrigerant	R134a
Application	LBP+MBP
Voltage range	198-254V
Starting torque	LST
Approvals	VDE

**Electrical accessories / wiring diagram**

RSIR

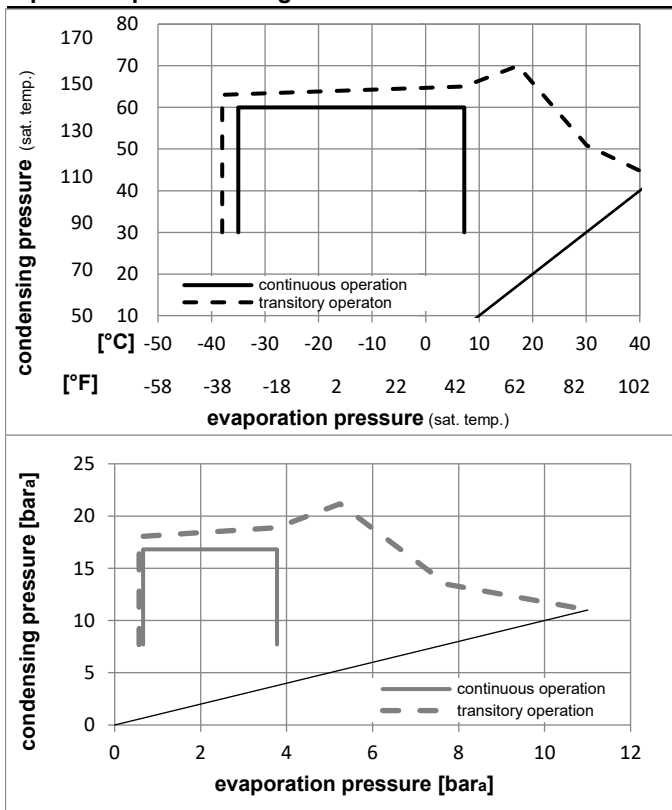


**Ambient temperatures / system cooling**

Ambient temperature min.:	10°C / 50°F
Ambient temperature max.:	43°C / 110°F

System cooling (n/a: outside limits)			
T ambient	LBP	MBP	HBP
32°C / 90°F	fan 1,5m/s	fan 1,5m/s	n/a
38°C / 100°F	fan 1,5m/s	fan 1,5m/s	n/a
43°C / 110°F	fan 1,5m/s	fan 1,5m/s	n/a

**Operation pressure range**



**Components**

a1	PTC starter (220V, 250hm, 4.8mm)	103N0018
b	plastic cover	103N2010
d	cord relief	103N1010
g	protection screen for PTC	103N0476

**Alternative components**

a1	PTC starter (220V, 250hm, 6.3mm)	103N0011
b	plastic cover	103N2011
d	cord relief	103N1010
g	protection screen for PTC	103N0476

**Model**

Designation **NLE10MF 220-240V/50Hz** Conf. **2** Sales code: **105G6888**

**Optimization + standard conditions**

220-240V/50Hz 1~, RSIR, fan 1,5m/s, VDE

	Evaporating pressure (saturation temperature)				Condensing pressure (saturation temperature)						Power consumption			ASHRAE MBP				
	pe	pc	RGT	Tliq	Cooling capacity			COP	EER		P1	I	Ref. mass flow					
	[°C]	[°F]	[°C]	[°F]	[W]	[Btu/h]	[kcal/h]	[W/W]	[Btu/Wh]	[kcal/Wh]	[W]	[A]	[kg/h]					
	-6,66	20	54,4	130	35	95	46,1	115	568,9	1943	489,6	1,71	5,84	1,47	332,8	2,10	12,41	
	-10	14	55	131	32	89,6	55	131	439,5	1501	378,3	1,43	4,87	1,23	308,0	2,00	10,63	cecomaf MBP
	-10	14	45	113	20	68	45	113	495,8	1693	426,7	1,69	5,78	1,46	292,9	1,92	11,61	EN12900 MBP
	-6,66	20	48,9	120	18,3	65	48,9	120	540,5	1846	465,2	1,68	5,73	1,44	322,3	2,05	13,35	ARI540 MBP
	-10	14	45	113	32	89,6	45	113	514,4	1757	442,7	1,76	6,00	1,51	292,9	1,92	11,26	opt
	-25	-13	45	113	32	89,6	45	113	237,1	810	204,0	1,21	4,14	1,04	195,5	1,62	5,14	opt

**Performance tables**

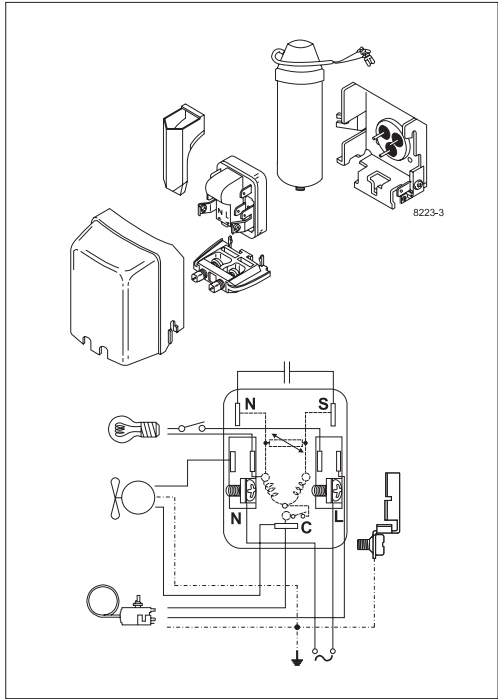
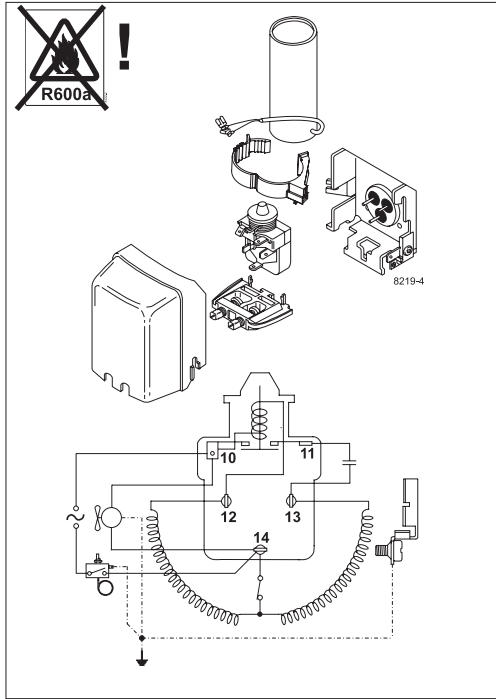
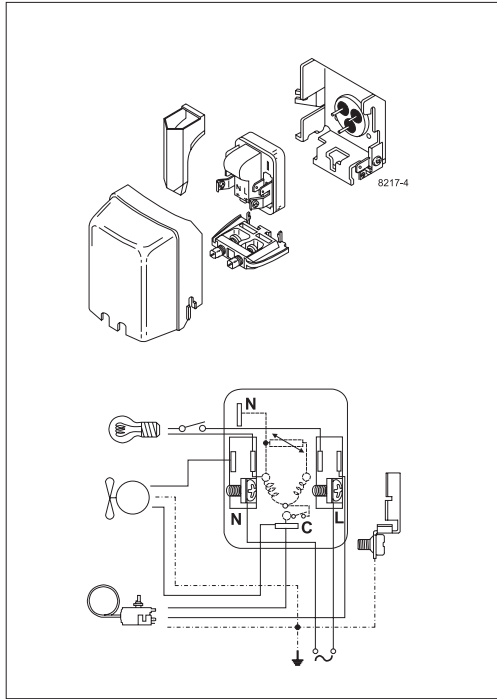
220-240V/50Hz 1~, RSIR, fan 1,5m/s, VDE

	pe	Cooling capacity			COP	EER		P1	I	m	
	[°C]	[°F]	[W]	[Btu/h]	[kcal/h]	[W/W]	[Btu/Wh]	[kcal/Wh]	[W]	[A]	[kg/h]
[°C / °F]	-35	-31	120,6	412	103,8	0,88	3,01	0,76	136,9	1,52	2,60
cond. pressure	-25	-13	237,1	810	204,0	1,21	4,14	1,04	195,5	1,62	5,14
pc= 45/113	-15	5	405,0	1383	348,6	1,56	5,33	1,34	259,7	1,80	8,83
return gas temp.	-10	14	514,4	1757	442,7	1,76	6,00	1,51	292,9	1,92	11,26
RGT= 32/90	-5	23	643,9	2199	554,2	1,97	6,74	1,70	326,5	2,05	14,16
liquid temp	0	32	796,0	2719	685,1	2,21	7,55	1,90	360,0	2,21	17,60
Tliq= 45/113	7,2	45	1059,6	3619	911,9	2,60	8,88	2,24	407,5	2,48	23,67
[°C / °F]	-35	-31	88,0	301	75,7	0,66	2,25	0,57	133,7	1,43	2,09
cond. pressure	-25	-13	194,5	664	167,4	0,98	3,36	0,85	197,9	1,60	4,65
pc= 55/131	-15	5	343,2	1172	295,4	1,27	4,34	1,09	270,0	1,84	8,26
return gas temp	-10	14	439,5	1501	378,3	1,43	4,87	1,23	308,0	2,00	10,63
RGT= 32/90	-5	23	553,7	1891	476,5	1,60	5,45	1,37	346,9	2,17	13,46
liquid temp	0	32	688,1	2350	592,2	1,78	6,08	1,53	386,3	2,36	16,83
Tliq= 55/131	7,2	45	922,1	3149	793,6	2,08	7,11	1,79	443,1	2,67	22,81



8238-20

# NL Compressors







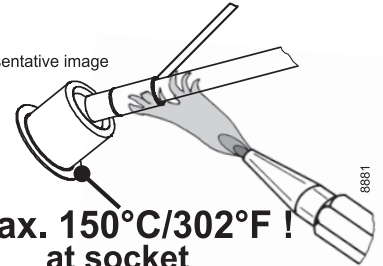
## Service/Repair – R600a, R290



8545

## Brazing on Suction Connectors (Direct Intake)

representative image



**! max. 150°C/302°F !  
at socket**  
brazing solder: phosphor (LP7) or silver

Refer to Product Bulletin:  
**Brazing on Suction Connectors  
(Compressors with Direct Suction Intake)**

Secop accepts no responsibility for possible errors in catalogs, brochures, and other printed material. Secop reserves the right to alter its products without notice. This also applies to products already on order provided that such alterations can be made without subsequential changes being necessary to specifications already agreed. All trademarks in this material are the property of the respective companies. Secop and the Secop logotype are trademarks of Secop GmbH. All rights reserved. [www.secop.com](http://www.secop.com)