

Single Pack NF7.3FX.2 115-127V 60Hz CSIR

Single pack code number: **195B4403**

Position	Title	Code	Amount
1	Compressor NF7.3FX.2	105G5722	1
2	Starting relay (overload protector MRP30AEN-6, T0772/06)	117U4061	1
3	Starting capacitor (280 μ F 125V, 6.3mm)	117U5025	1
4	Cord relief	117U0349	2
5	Cover	117U1021	1
6	Bolt joint for one compressor M6 \varnothing 16mm	118-1917	1

Secop GmbH • Lise-Meitner-Straße 29 • 24941 Flensburg, Germany • Tel: +49 461 4941 0 • www.secop.com

Secop accepts no responsibility for possible errors in catalogs, brochures, and other printed material. Secop reserves the right to alter its products without notice. This also applies to products already on order provided that such alterations can be made without subsequent changes being necessary to specifications already agreed. All trademarks in this material are the property of the respective companies. Secop and the Secop logotype are trademarks of Secop GmbH. All rights reserved.

Model

Designation	NF7.3FX.2	115-127V/60Hz 1~	Sales code:	105G5722
-------------	------------------	------------------	-------------	-----------------

Compressor design

Oil type	Polyolester	Refrigerant(s)	R134a, R513A, 0
Oil viscosity	32cST	Displacement	7,27cm ³ / 0,44cu.in
Oil quantity	268cm ³ / 9,1fl.oz	Compressors on pallet	80
Refr. charge - tech. limit	400g / 14,1oz		
Free gas volume comp.	2360cm ³ / 79,8fl.oz		
Weight	10kg / 22lbs		
Motor protection	external		
Winding resistance main	1,6Ω (at 25°C)		
Winding resistance aux	6,2Ω (at 25°C)		
Max. winding temp.	125°C / 257°F		
Max. discharge temp.	130°C / 266°F		



General - Configurations with NF7.3FX.2

	Conf. 1	Conf. 2
Motorconfiguration	CSIR	CSIR
Power supply (nominal)	115-127V/60Hz	115-127V/60Hz
Number of phases	1	1
Voltage range	95-135V	95-135V
Approvals	UL, EAC	UL, EAC
Starting torque	HST	HST
Note	- / -	

Applications with NF7.3FX.2

	Conf. 1	Conf. 2
Refrigerant	R134a	R513A
Application	LBP+MBP	LBP+MBP
System cooling	fan 1,5m/s	fan 1,5m/s
Hot gas defrost	-/-	-/-
Long interval pull down	OK	OK

Electrical data - Configurations with NF7.3FX.2

	Conf. 1	Conf. 2
Starting device type	relay	relay
Run capacitor	-/-	-/-
Start capacitor	280μF	280μF
LRA (locked rotor amps / 4s/ U(N))		
RLA (rated load amps / 1s/ U(N))		
Cut in current (U(N))		

Model

Designation

NF7.3FX.2

115-127V/60Hz 1~

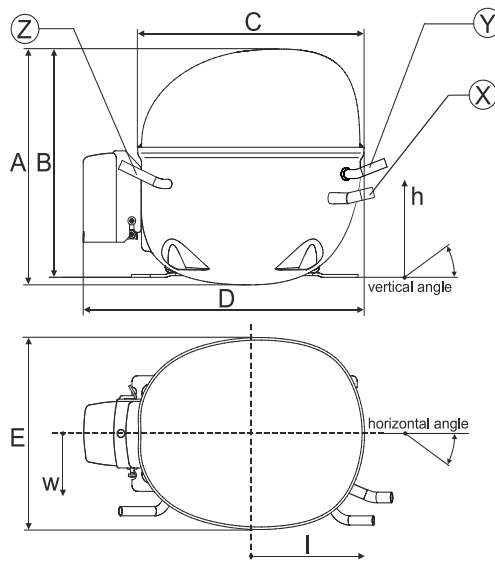
Sales code:

105G5722

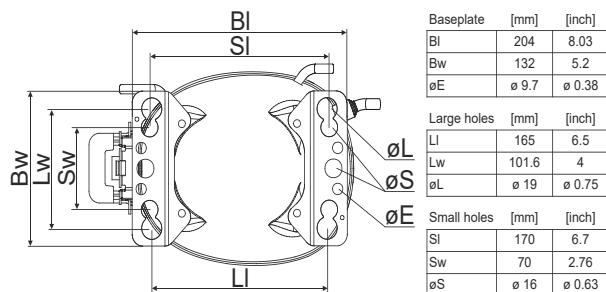
Compressor dimensions

Housing	A Height	197mm / 7,76in
	B Height	191mm / 7,52in
	C Length shell	205mm / 8,07in
	D Length w. cover	254mm / 10in
	E Width	166mm / 6,54in

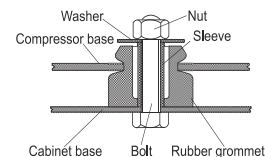
Connectors		Suction	Discharge	Process
		X	Y	Z
Diameter	[mm]	øi 8,11-8,29	øi 6,41-6,59	øi 6,41-6,59
	(i:inside, o:outside) [in]	øi 0,32-0,33	øi 0,25-0,26	øi 0,25-0,26
Material		copper	copper	copper
Horizontal angle	±2°	0°	0°	0°
Vertical angle	±2°	15°	35°	155°
Position l/h/w	[mm]	126/76/78	133/103/54	-107/94/72
	[in]	4,9/3/3,1	5,2/4/2,1	-4,2/3,7/2,8
Straight tube l.	[mm]	12	12	12
	[in]	0,5	0,5	0,5



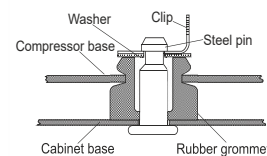
Compressor fixation



Bolt joint



Snap-on



Mounting accessories

	one comp.	multi pack
Bolt joint M6 ø16mm	118-1917	118-1918
Bolt joint ø1/4" ø16mm	118-1946	
Bolt joint ø1/4" ø19mm	118-1949	
Snap-on ø7,3 ø16mm	118-1947	118-1919

Application notes

Provision for PE Grounding is located at the PE Stamp on the compressor

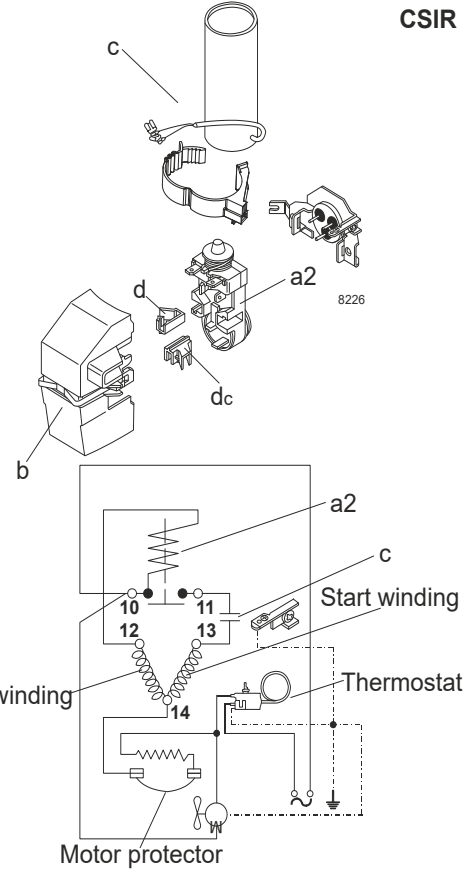
Model

Designation	NF7.3FX.2	115-127V/60Hz	Conf. 1	Sales code:	105G5722
-------------	------------------	----------------------	---------	-------------	-----------------

Configuration

Motorconfiguration	CSIR
Power supply (nominal)	115-127V/60Hz 1~
Refrigerant	R134a
Application	LBP+MBP
Voltage range	95-135V
Starting torque	HST
Approvals	UL
	EAC

Electrical accessories / wiring diagram



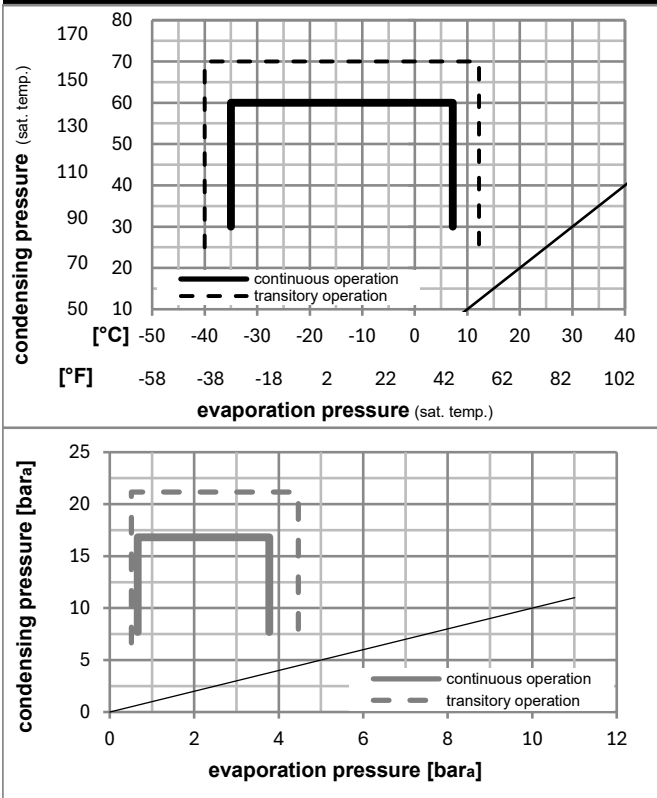
Ambient/ machine room temperatures minimum /maximum

Ambient temperature range: 10 - 43°C / 50 - 110°F

Machine room temperature range: 10 - 48°C / 50 - 119°F

Compressor cooling: fan 1,5m/s

Operation pressure range



Components

a2	relay (protector: TI MRP30AEN-6)	117U4061
c	start capacitor (280µF)	117U5025
b	plastic cover	117U1021
d/dc	cord relief	117U0349
d/dc	cord relief	117U0349

Alternative components

b	assy. terminal board 6.3mm	117U1024
---	----------------------------	----------

Model

Designation **NF7.3FX.2** **115-127V/60Hz** Conf. 1 Sales code: **105G5722**

Optimization + standard conditions

R134a, 115V/60Hz, CSIR, fan 1,5m/s, UL, EAC

	Evaporating pressure (saturation temperature)				Condensing pressure (saturation temperature)			Return gas temp.	Liquid temp.	Cooling capacity	COP	EER	P1	Power consumption		Ref. mass flow	
	pe	pc	RGT	Tliq	[W]	[Btu/h]	[kcal/h]							[W/W]	[Btu/Wh]		
[°C]	-23	54	32	32	261,5	893	225,1	1,16	3,95	1,00	226,0	3,57	5,08	ASHRAE LBP			
[°F]	-10	130	90	90													
[°C]	-25	55	32	55	190,3	650	163,8	0,88	3,01	0,76	215,8	3,53	4,55	cecomaf LBP			
[°F]	-13	131	90	131													
[°C]	-35	40	20	40	127,5	436	109,8	0,76	2,58	0,65	168,9	3,35	2,80	EN12900 LBP			
[°F]	-31	104	68	104													
[°C]	-7	54	35	46	548,4	1873	472,0	1,70	5,82	1,47	322,1	4,12	11,97	ASHRAE MBP			
[°F]	20	130	95	115													
[°C]	-10	55	32	55	425,5	1453	366,2	1,40	4,79	1,21	303,3	4,00	10,29	cecomaf MBP			
[°F]	14	131	90	131													
[°C]	-10	45	20	45	479,2	1637	412,4	1,66	5,67	1,43	288,9	3,90	11,22	EN12900 MBP			
[°F]	14	113	68	113													

Performance tables

R134a, 115V/60Hz, CSIR, fan 1,5m/s, UL, EAC

	pe		Cooling capacity			COP	EER		P1	I	m
	[°C]	[°F]	[W]	[Btu/h]	[kcal/h]	[W/W]	[Btu/Wh]	[kcal/Wh]	[W]	[A]	[kg/h]
[°C / °F]	-35	-31	117,1	400	100,8	0,71	2,43	0,61	164,5	3,34	2,53
cond. pressure	-23	-10	257,3	879	221,4	1,14	3,89	0,98	225,7	3,54	5,58
pc= 45/113	-15	5	395,8	1352	340,6	1,49	5,10	1,28	265,1	3,75	8,63
return gas temp.	-9	15	509,4	1740	438,4	1,75	5,97	1,50	291,6	3,92	11,15
RGT= 32/90	-4	25	642,0	2193	552,5	2,01	6,87	1,73	319,4	4,10	14,14
liquid temp	0	32	747,2	2552	643,1	2,20	7,50	1,89	340,2	4,25	16,52
Tliq= 45/113	7,2	45	971,9	3319	836,4	2,53	8,66	2,18	383,5	4,54	21,71
[°C / °F]	-35	-31	91,4	312	78,6	0,61	2,07	0,52	150,7	3,30	2,17
cond. pressure	-23	-10	210,9	720	181,5	0,93	3,19	0,80	225,8	3,57	5,05
pc= 55/131	-15	5	333,8	1140	287,3	1,22	4,15	1,05	274,4	3,82	8,04
return gas temp	-9	15	436,6	1491	375,8	1,42	4,86	1,23	306,6	4,02	10,56
RGT= 32/90	-4	25	558,3	1907	480,5	1,64	5,61	1,41	339,8	4,23	13,59
liquid temp	0	32	655,6	2239	564,2	1,80	6,15	1,55	364,2	4,40	16,04
Tliq= 55/131	7,2	45	865,1	2955	744,5	2,09	7,14	1,80	413,7	4,73	21,40

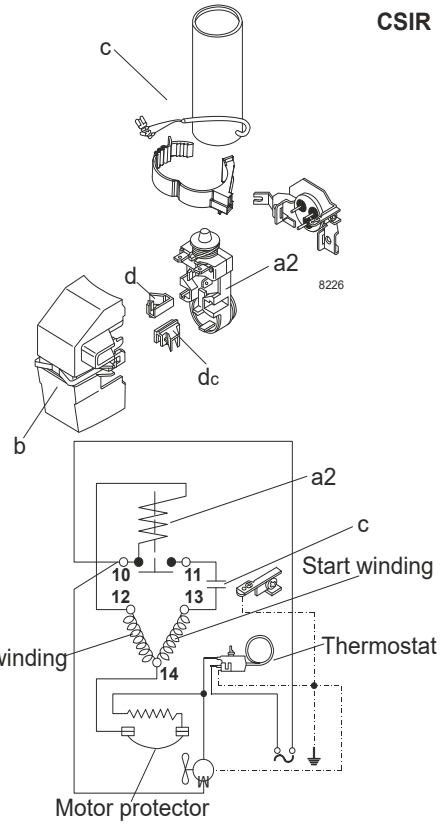
Model

Designation	NF7.3FX.2	115-127V/60Hz	Conf. 2	Sales code:	105G5722
-------------	------------------	----------------------	----------------	-------------	-----------------

Configuration

Motorconfiguration	CSIR
Power supply (nominal)	115-127V/60Hz 1~
Refrigerant	R513A
Application	LBP+MBP
Voltage range	95-135V
Starting torque	HST
Approvals	UL
	EAC

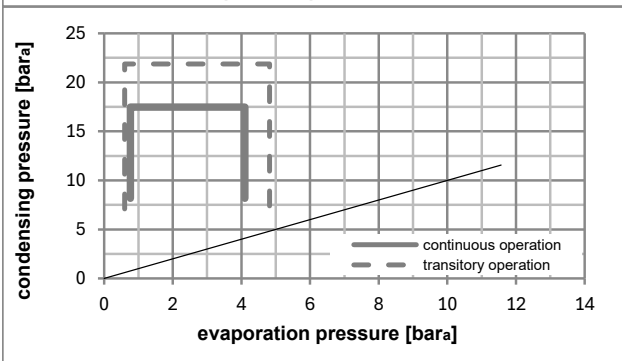
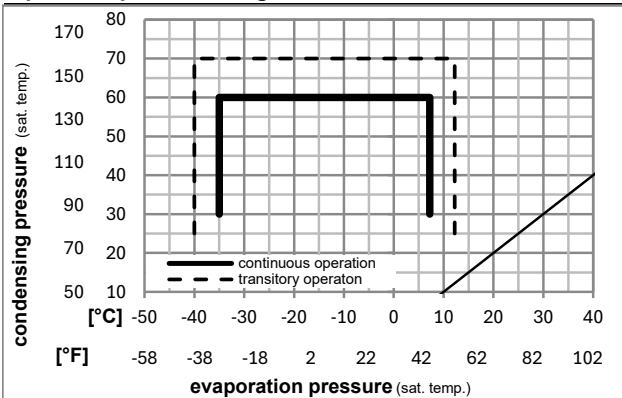
Electrical accessories / wiring diagram



Ambient/ machine room temperatures minimum /maximum

Ambient temperature range:	10 - 43°C / 50 - 110°F
Machine room temperature range:	10 - 48°C / 50 - 119°F
Compressor cooling:	fan 1,5m/s

Operation pressure range



Components

a2	relay (protector: TI MRP30AEN-6)	117U4061
c	start capacitor (280µF)	117U5025
b	plastic cover	117U1021
d/dc	cord relief	117U0349
d/dc	cord relief	117U0349

Alternative components

b	assy. terminal board 6.3mm	117U1024
---	----------------------------	----------

Model

Designation	NF7.3FX.2	115-127V/60Hz	Conf. 2	Sales code:	105G5722
-------------	------------------	----------------------	----------------	-------------	-----------------

Optimization + standard conditions

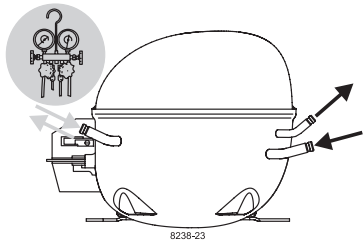
R513A, 115V/60Hz, CSIR, fan 1,5m/s, UL, EAC

	Evaporating pressure (saturation temperature)				Cooling capacity			COP	EER	P1	Power consumption		Ref. mass flow	
	pe	pc	RGT	Tliq	[W]	[Btu/h]	[kcal/h]				[W]	[A]		
[°C]	-23	54	32	32	289,1	987	248,8	1,18	4,04	1,02	244,1	3,88	6,22	ASHRAE LBP
[°F]	-10	130	90	90										
[°C]	-25	55	32	55	204,8	699	176,3	0,88	2,99	0,75	233,8	3,81	5,61	cecomaf LBP
[°F]	-13	131	90	131										
[°C]	-35	40	20	40	142,4	486	122,6	0,78	2,66	0,67	182,9	3,68	3,52	EN12900 LBP
[°F]	-31	104	68	104										
[°C]	-7	54	35	46	575,5	1965	495,3	1,69	5,77	1,45	340,5	4,40	14,10	ASHRAE MBP
[°F]	20	130	95	115										
[°C]	-10	55	32	55	441,3	1507	379,7	1,37	4,68	1,18	322,0	4,30	12,20	cecomaf MBP
[°F]	14	131	90	131										
[°C]	-10	45	20	45	500,9	1711	431,0	1,64	5,59	1,41	305,8	4,20	13,28	EN12900 MBP
[°F]	14	113	68	113										

Performance tables

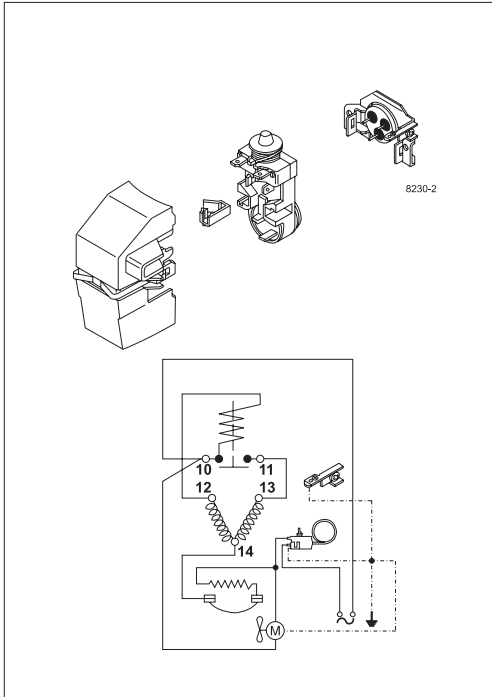
R513A, 115V/60Hz, CSIR, fan 1,5m/s, UL, EAC

	pe		Cooling capacity			COP	EER	P1	I	m	
	[°C]	[°F]	[W]	[Btu/h]	[kcal/h]						[W/W]
[°C / °F]	-35	-31	131,7	450	113,4	0,74	2,52	0,64	178,5	3,62	3,20
cond. pressure	-23	-10	278,6	951	239,8	1,15	3,92	0,99	242,4	3,92	6,80
pc= 45/113	-15	5	420,8	1437	362,1	1,49	5,09	1,28	282,2	4,09	10,31
return gas temp.	-9	15	536,1	1831	461,3	1,74	5,93	1,50	308,5	4,21	13,19
RGT= 32/90	-4	25	669,7	2287	576,3	1,99	6,81	1,72	336,0	4,35	16,55
liquid temp	0	32	775,0	2647	667,0	2,17	7,42	1,87	356,7	4,47	19,22
Tliq= 45/113	7,2	45	998,7	3411	859,5	2,50	8,53	2,15	399,9	4,74	24,98
[°C / °F]	-35	-31	102,6	351	88,3	0,62	2,12	0,53	165,6	3,39	2,80
cond. pressure	-23	-10	225,7	771	194,3	0,92	3,16	0,80	244,1	3,87	6,19
pc= 55/131	-15	5	349,7	1194	301,0	1,19	4,07	1,03	293,2	4,15	9,63
return gas temp	-9	15	452,3	1545	389,2	1,39	4,75	1,20	325,2	4,32	12,51
RGT= 32/90	-4	25	572,8	1956	492,9	1,60	5,46	1,38	358,1	4,50	15,93
liquid temp	0	32	668,7	2284	575,4	1,75	5,97	1,51	382,3	4,65	18,67
Tliq= 55/131	7,2	45	874,1	2985	752,3	2,03	6,92	1,74	431,5	4,95	24,64

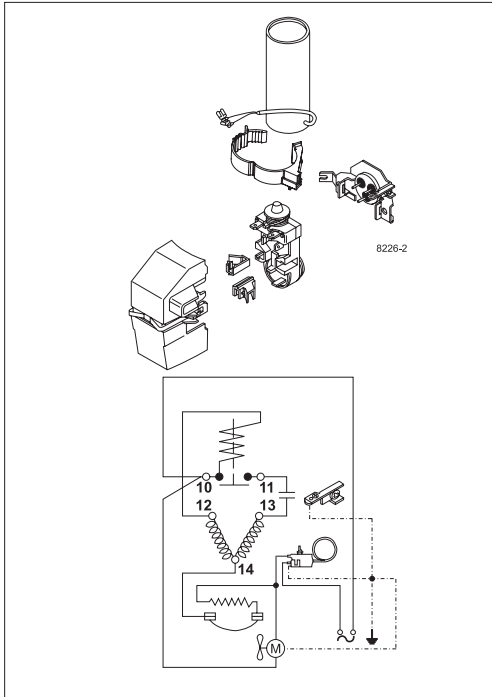


8238-23

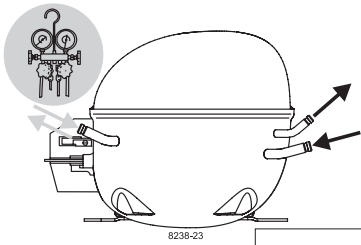
NF Compressors



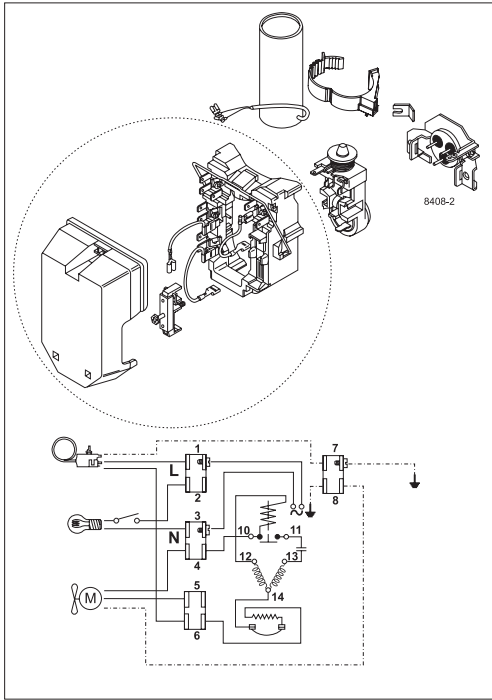
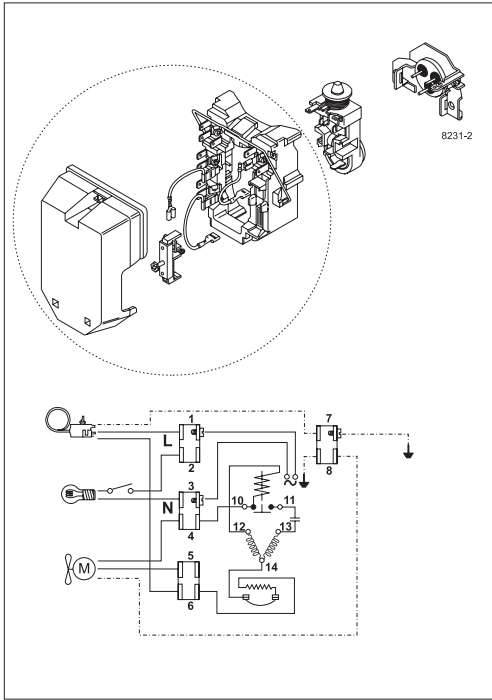
8230-2



8226-2



8238-23



Secop accepts no responsibility for possible errors in catalogs, brochures, and other printed material. Secop reserves the right to alter its products without notice. This also applies to products already on order provided that such alterations can be made without subsequential changes being necessary to specifications already agreed. All trademarks in this material are the property of the respective companies. Secop and the Secop logotype are trademarks of Secop GmbH. All rights reserved. www.secop.com