

Single Pack HTK70AA 220-240V 50Hz RSIR

Single pack code number: **195B4530**

| Position | Title | Code | Amount |
|----------|-----------------------|----------|--------|
| 1 | Compressor HTK70AA | 16125300 | 1 |
| 2 | Clip | 10633900 | 4 |
| 3 | Steel pin | 10634100 | 4 |
| 4 | Washer | 10634300 | 4 |
| 5 | Screw for cable clamp | 10636000 | 1 |
| 6 | Screw for cable clamp | 10636200 | 1 |
| 7 | Cover | 10636401 | 1 |
| 8 | Earth screw | 10641201 | 1 |
| 9 | Rubber grommet 16mm | 11322600 | 4 |
| 10 | Cable clamp | 11341000 | 1 |
| 11 | Terminal board 4.8mm | 15163800 | 1 |

Secop GmbH • Lise-Meitner-Straße 29 • 24941 Flensburg, Germany • Tel: +49 461 4941 0 • www.secop.com

Secop accepts no responsibility for possible errors in catalogs, brochures, and other printed material. Secop reserves the right to alter its products without notice. This also applies to products already on order provided that such alterations can be made without subsequent changes being necessary to specifications already agreed. All trademarks in this material are the property of the respective companies. Secop and the Secop logotype are trademarks of Secop GmbH. All rights reserved.

Model

| | | | | |
|-------------|----------------|-------------------------|-------------|-----------------|
| Designation | HTK70AA | 220-240V/50Hz 1~ | Sales code: | 16125300 |
|-------------|----------------|-------------------------|-------------|-----------------|

Compressor design

| | | | |
|----------------------------|---------------------------------|-----------------------|-------------------------------|
| Oil type | Mineral | Refrigerant(s) | R600a |
| Oil viscosity | 5cST | Displacement | 6,6cm ³ / 0,4cu.in |
| Oil quantity | 162cm ³ / 5,5fl.oz | Compressors on pallet | 100 |
| Refr. charge - tech. limit | 150g / 5,3oz | | |
| Free gas volume comp. | 1500cm ³ / 50,7fl.oz | | |
| Weight | 7,9kg / 17,4lbs | | |
| Motor protection | external | | |
| Winding resistance main | 34Ω (at 25°C) | | |
| Winding resistance aux | 15,5Ω (at 25°C) | | |
| Max. winding temp. | 130°C / 266°F | | |
| Max. discharge temp. | 130°C / 266°F | | |



General - Configurations with HTK70AA

| | Conf. 1 | Conf. 2 |
|------------------------|--|----------------|
| Motorconfiguration | RSIR | RSCR |
| Power supply (nominal) | 220-240V/50Hz | 220-240V/50Hz |
| Number of phases | 1 | 1 |
| Voltage range | 187-264V | 187-264V |
| Approvals | VDE | VDE |
| Starting torque | LST | LST |
| Note | Various options of connectors are possible - please contact SECOP-Sales. | |

Applications with HTK70AA

| | Conf. 1 | Conf. 2 |
|-------------------------|----------------|----------------|
| Refrigerant | R600a | R600a |
| Application | LBP | LBP |
| System cooling | static | static |
| Hot gas defrost | -/- | -/- |
| Long interval pull down | -/- | -/- |

Electrical data - Configurations with HTK70AA

| | Conf. 1 | Conf. 2 |
|------------------------------------|----------------|----------------|
| Starting device type | PTC | PTC |
| Run capacitor | -/- | 3/4μF |
| Start capacitor | -/- | -/- |
| LRA (locked rotor amps / 4s/ U(N)) | | |
| RLA (rated load amps / 1s/ U(N)) | -/-A | -/-A |
| Cut in current (U(N)) | | |

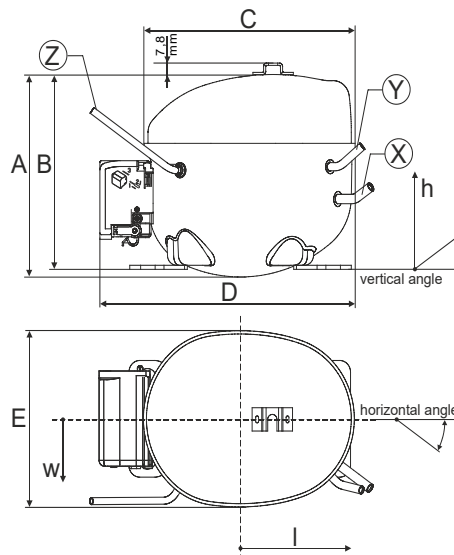
Model

| | | | | |
|-------------|----------------|------------------|-------------|-----------------|
| Designation | HTK70AA | 220-240V/50Hz 1~ | Sales code: | 16125300 |
|-------------|----------------|------------------|-------------|-----------------|

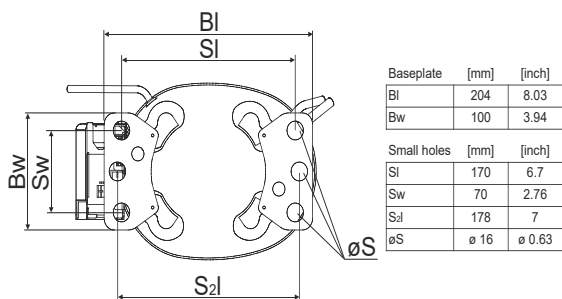
Compressor dimensions

| | | |
|----------------|-------------------|----------------|
| Housing | A Height | 166mm / 6,54in |
| | B Height | 159mm / 6,26in |
| | C Length shell | 194mm / 7,64in |
| | D Length w. cover | 238mm / 9,37in |
| | E Width | 151mm / 5,94in |

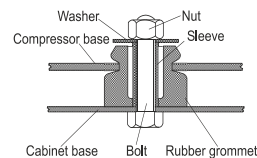
| Connectors | | Suction | Discharge | Process |
|-------------------|----------------------------|----------------|------------------|----------------|
| | | X | Y | Z |
| Diameter | [mm] | øi 6,1-6,2 | øi 5,1-5,2 | øo 5,92-6,08 |
| | (i:inside, o:outside) [in] | øi 0,24-0,24 | øi 0,2-0,2 | øo 0,23-0,24 |
| Material | | copper | copper | copper |
| Horizontal angle | ±2° | 45° | 13° | 0° |
| Vertical angle | ±2° | 30° | 40° | 145° |
| Position l/h/w | [mm] | 120/72/62 | 112/106/62 | -140/136/70 |
| | [in] | 4,7/2,8/2,4 | 4,4/4,2/2,4 | -5,5/5,4/2,8 |
| Straight tube l. | [mm] | 14 | 14 | 75 |
| | [in] | 0,5 | 0,5 | 3 |



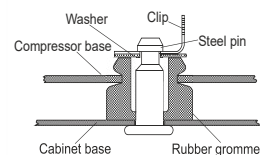
Compressor fixation



Bolt joint



Snap-on



Mounting accessories

| | | |
|---|------------|---------------------|
| '4ZN' with rubber grommet | order code | 772N |
| '4ZN' with rubber grommet and sleeve for M6 | | 768N |
| Bolt joint kit | | 4ZN + 118-1917 (18) |
| '4ZN' with Snap on kit | | 776N |

Application notes

Provision for PE Grounding is located at the PE Stamp on the compressor Housing with dip-tray fixture (omega bracket).
 Various options of connectors are possible - please contact SECOP-Sales.

Model

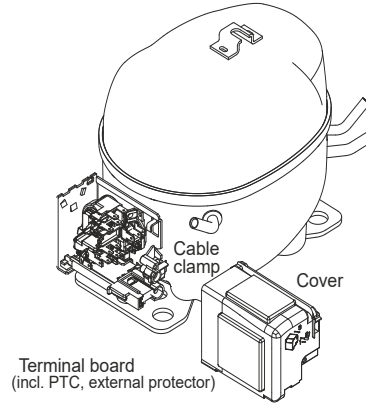
| | | | | | |
|-------------|----------------|----------------------|---------|-------------|-----------------|
| Designation | HTK70AA | 220-240V/50Hz | Conf. 1 | Sales code: | 16125300 |
|-------------|----------------|----------------------|---------|-------------|-----------------|

Configuration

| | |
|------------------------|------------------|
| Motorconfiguration | RSIR |
| Power supply (nominal) | 220-240V/50Hz 1~ |
| Refrigerant | R600a |
| Application | LBP |
| Voltage range | 187-264V |
| Starting torque | LST |
| Approvals | VDE |

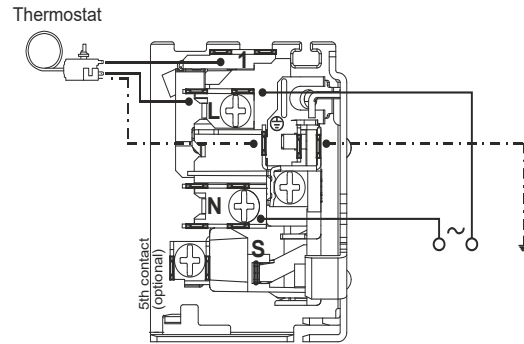
Electrical accessories / wiring diagram

RSIR

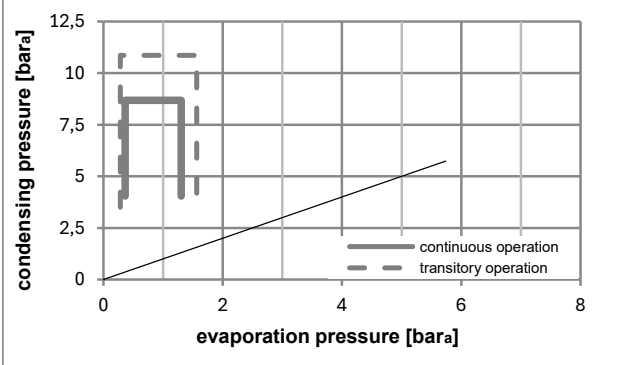
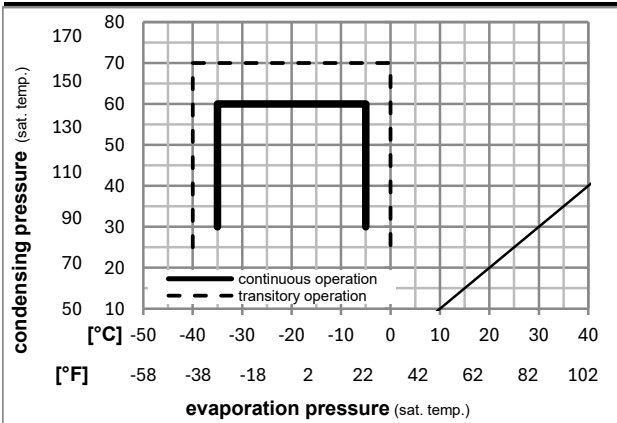


Ambient/ machine room temperatures minimum /maximum

| | |
|---------------------------------|------------------------|
| Ambient temperature range: | 10 - 43°C / 50 - 110°F |
| Machine room temperature range: | 10 - 48°C / 50 - 119°F |
| Compressor cooling: | static |



Operation pressure range



8858-6

Components

| | |
|-------------------------------|----------|
| . terminal board (PTC, 4.8mm) | 15163800 |
| b cover terminal board | 10636401 |
| . cable clamp | 11341000 |
| . screw - uni6954 | 10636000 |
| . screw - uni6954 | 10636200 |
| . screw uni en iso 4757 | 10641201 |

Alternative components

| | |
|-------------------------------|----------|
| . terminal board (PTC, 6.3mm) | 15162300 |
|-------------------------------|----------|

Model

| | | | | | |
|-------------|----------------|----------------------|---------|-------------|-----------------|
| Designation | HTK70AA | 220-240V/50Hz | Conf. 1 | Sales code: | 16125300 |
|-------------|----------------|----------------------|---------|-------------|-----------------|

Optimization + standard conditions

R600a, 220V/50Hz, RSIR, static, VDE

| Evaporating pressure (saturation temperature) | | | | Condensing pressure (saturation temperature) | | | | Power consumption | | | | Ref. mass flow ṁ | | |
|---|-----|--------------|------|--|---------|----------|-------|-------------------|-----------|------|------|---------------------|------|-------------|
| Return gas temp. | | Liquid temp. | | Cooling capacity | | COP | EER | P1 | I | | | | | |
| pe | pc | RGT | Tliq | [W] | [Btu/h] | [kcal/h] | [W/W] | [Btu/Wh] | [kcal/Wh] | [W] | [A] | [kg/h] | | |
| [°C] | -23 | 54 | 32 | 32 | 116,9 | 399 | 100,6 | 1,61 | 5,50 | 1,39 | 72,6 | 0,42 | 1,25 | ASHRAE LBP |
| [°F] | -10 | 130 | 90 | 90 | | | | | | | | | | |
| [°C] | -25 | 55 | 32 | 55 | 86,7 | 296 | 74,6 | 1,24 | 4,24 | 1,07 | 69,9 | 0,40 | 1,13 | cecomaf LBP |
| [°F] | -13 | 131 | 90 | 131 | | | | | | | | | | |
| [°C] | -35 | 40 | 20 | 40 | 56,9 | 194 | 48,9 | 1,13 | 3,85 | 0,97 | 50,5 | 0,34 | 0,69 | EN12900 LBP |
| [°F] | -31 | 104 | 68 | 104 | | | | | | | | | | |
| [°C] | -23 | 49 | 4,4 | 49 | 93,8 | 320 | 80,7 | 1,35 | 4,61 | 1,16 | 69,5 | 0,41 | 1,37 | ARI540 LBP |
| [°F] | -10 | 120 | 40 | 120 | | | | | | | | | | |
| [°C] | -23 | 41 | 32 | 32 | 121,8 | 416 | 104,8 | 1,82 | 6,23 | 1,57 | 66,8 | 0,40 | 1,31 | AHAM LBP |
| [°F] | -10 | 105 | 90 | 90 | | | | | | | | | | |
| [°C] | -35 | 45 | 32 | 45 | 54,0 | 185 | 46,5 | 1,07 | 3,66 | 0,92 | 50,4 | 0,34 | 0,64 | opt |
| [°F] | -31 | 113 | 90 | 113 | | | | | | | | | | |

Performance tables

R600a, 220V/50Hz, RSIR, static, VDE

| | pe | | Cooling capacity | | | COP | EER | P1 | I | m | |
|------------------|------|------|------------------|---------|----------|-------|----------|-----------|-------|------|--------|
| | [°C] | [°F] | [W] | [Btu/h] | [kcal/h] | [W/W] | [Btu/Wh] | [kcal/Wh] | [W] | [A] | [kg/h] |
| [°C / °F] | -35 | -31 | 54,0 | 185 | 46,5 | 1,07 | 3,66 | 0,92 | 50,4 | 0,34 | 0,64 |
| cond. pressure | -30 | -22 | 72,8 | 249 | 62,7 | 1,25 | 4,26 | 1,07 | 58,4 | 0,37 | 0,87 |
| pc= 45/113 | -25 | -13 | 98,6 | 337 | 84,8 | 1,49 | 5,10 | 1,29 | 66,0 | 0,40 | 1,17 |
| return gas temp. | -23 | -10 | 108,7 | 371 | 93,5 | 1,59 | 5,42 | 1,37 | 68,4 | 0,41 | 1,29 |
| RGT= 32/90 | -20 | -4 | 129,9 | 444 | 111,8 | 1,78 | 6,07 | 1,53 | 73,1 | 0,43 | 1,55 |
| liquid temp | -15 | 5 | 165,4 | 565 | 142,3 | 2,07 | 7,09 | 1,79 | 79,7 | 0,46 | 1,98 |
| Tliq= 45/113 | -5 | 23 | 243,2 | 831 | 209,3 | 2,66 | 9,10 | 2,29 | 91,3 | 0,52 | 2,92 |
| [°C / °F] | -35 | -31 | 43,6 | 149 | 37,6 | 0,89 | 3,03 | 0,76 | 49,2 | 0,33 | 0,57 |
| cond. pressure | -30 | -22 | 62,1 | 212 | 53,4 | 1,04 | 3,54 | 0,89 | 59,9 | 0,37 | 0,81 |
| pc= 55/131 | -25 | -13 | 86,7 | 296 | 74,6 | 1,24 | 4,24 | 1,07 | 69,9 | 0,40 | 1,13 |
| return gas temp | -23 | -10 | 96,2 | 329 | 82,8 | 1,32 | 4,49 | 1,13 | 73,2 | 0,42 | 1,26 |
| RGT= 32/90 | -20 | -4 | 116,1 | 397 | 99,9 | 1,47 | 5,00 | 1,26 | 79,2 | 0,44 | 1,52 |
| liquid temp | -15 | 5 | 149,0 | 509 | 128,2 | 1,70 | 5,79 | 1,46 | 87,9 | 0,48 | 1,95 |
| Tliq= 55/131 | -5 | 23 | 219,1 | 748 | 188,6 | 2,13 | 7,29 | 1,84 | 102,7 | 0,57 | 2,88 |

Model

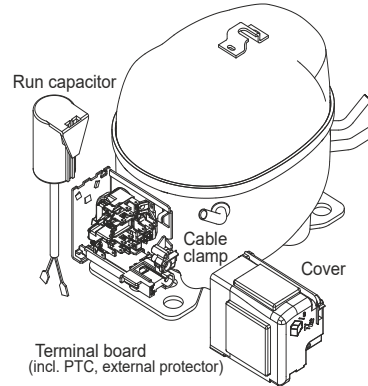
| | | | | | |
|-------------|----------------|----------------------|----------------|-------------|-----------------|
| Designation | HTK70AA | 220-240V/50Hz | Conf. 2 | Sales code: | 16125300 |
|-------------|----------------|----------------------|----------------|-------------|-----------------|

Configuration

| | |
|------------------------|------------------|
| Motorconfiguration | RSCR |
| Power supply (nominal) | 220-240V/50Hz 1~ |
| Refrigerant | R600a |
| Application | LBP |
| Voltage range | 187-264V |
| Starting torque | LST |
| Approvals | VDE |

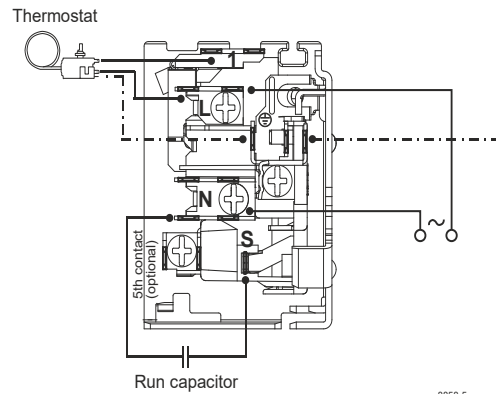
Electrical accessories / wiring diagram

RSCR



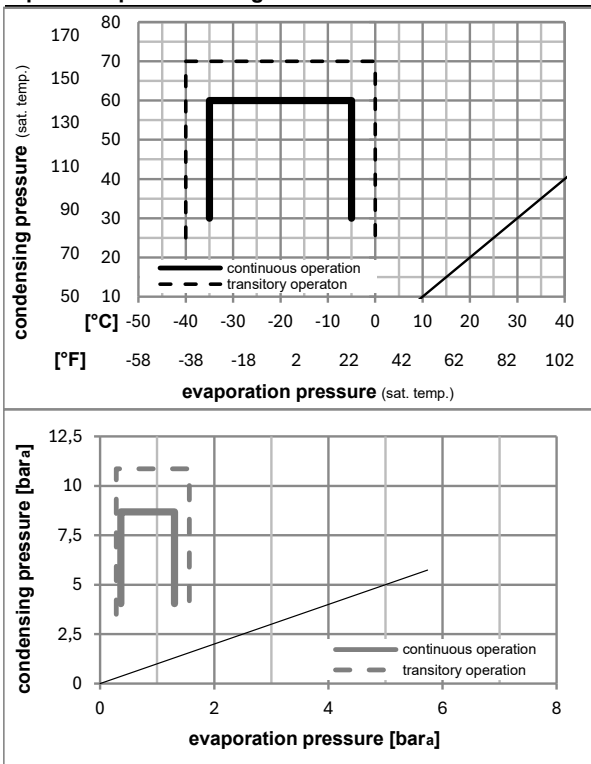
Ambient/ machine room temperatures minimum /maximum

| | |
|---------------------------------|------------------------|
| Ambient temperature range: | 10 - 43°C / 50 - 110°F |
| Machine room temperature range: | 10 - 48°C / 50 - 119°F |
| Compressor cooling: | static |



8858-5

Operation pressure range



Components

| | |
|-------------------------------|----------|
| . terminal board (PTC, 4.8mm) | 15163800 |
| . run capacitor (3μF, 4.8mm) | 10692902 |
| b cover terminal board | 10636401 |
| . cable clamp | 11341000 |
| . screw - uni6954 | 10636000 |
| . screw - uni6954 | 10636200 |

Alternative components

| | |
|-------------------------------|----------|
| . terminal board (PTC, 6.3mm) | 15162300 |
| . run capacitor (4μF, 6.3mm) | 15186801 |

Model

| | | | | | |
|-------------|----------------|----------------------|----------------|-------------|-----------------|
| Designation | HTK70AA | 220-240V/50Hz | Conf. 2 | Sales code: | 16125300 |
|-------------|----------------|----------------------|----------------|-------------|-----------------|

Optimization + standard conditions

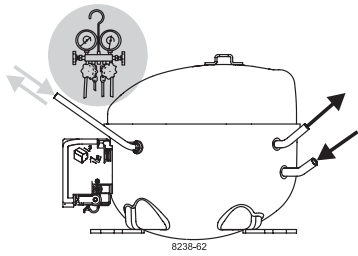
R600a, 220V/50Hz, RSCR, static, VDE

| | | Evaporating pressure (saturation temperature) | | | | Condensing pressure (saturation temperature) | | | Return gas temp. | | | Liquid temp. | | | Cooling capacity | | | COP | EER | Power consumption | | | Ref. mass flow |
|------|------|---|------|------|------|--|---------|----------|------------------|----------|-----------|--------------|------|------|------------------|-----|--------|-----|-----|-------------------|--|-------------|----------------|
| | | pe | pc | RGT | Tliq | [W] | [Btu/h] | [kcal/h] | [W/W] | [Btu/Wh] | [kcal/Wh] | P1 | I | m | [W] | [A] | [kg/h] | | | | | | |
| [°C] | [°F] | [°C] | [°F] | [°C] | [°C] | | | | | | | | | | | | | | | | | | |
| -23 | -10 | 54 | 130 | 32 | 32 | 116,7 | 399 | 100,5 | 1,66 | 5,68 | 1,43 | 70,2 | 0,31 | 1,25 | | | | | | | | ASHRAE LBP | |
| -25 | -13 | 55 | 131 | 32 | 55 | 86,6 | 296 | 74,5 | 1,28 | 4,38 | 1,10 | 67,5 | 0,30 | 1,13 | | | | | | | | cecomaf LBP | |
| -35 | -31 | 40 | 104 | 20 | 40 | 56,8 | 194 | 48,9 | 1,18 | 4,03 | 1,02 | 48,1 | 0,26 | 0,69 | | | | | | | | EN12900 LBP | |
| -23 | -10 | 49 | 120 | 4,4 | 49 | 93,7 | 320 | 80,6 | 1,40 | 4,77 | 1,20 | 67,0 | 0,31 | 1,37 | | | | | | | | ARI540 LBP | |
| -23 | -10 | 41 | 105 | 32 | 32 | 121,7 | 416 | 104,7 | 1,90 | 6,50 | 1,64 | 63,9 | 0,30 | 1,31 | | | | | | | | AHAM LBP | |
| -35 | -31 | 45 | 113 | 32 | 45 | 54,0 | 184 | 46,5 | 1,12 | 3,83 | 0,97 | 48,1 | 0,25 | 0,64 | | | | | | | | opt | |

Performance tables

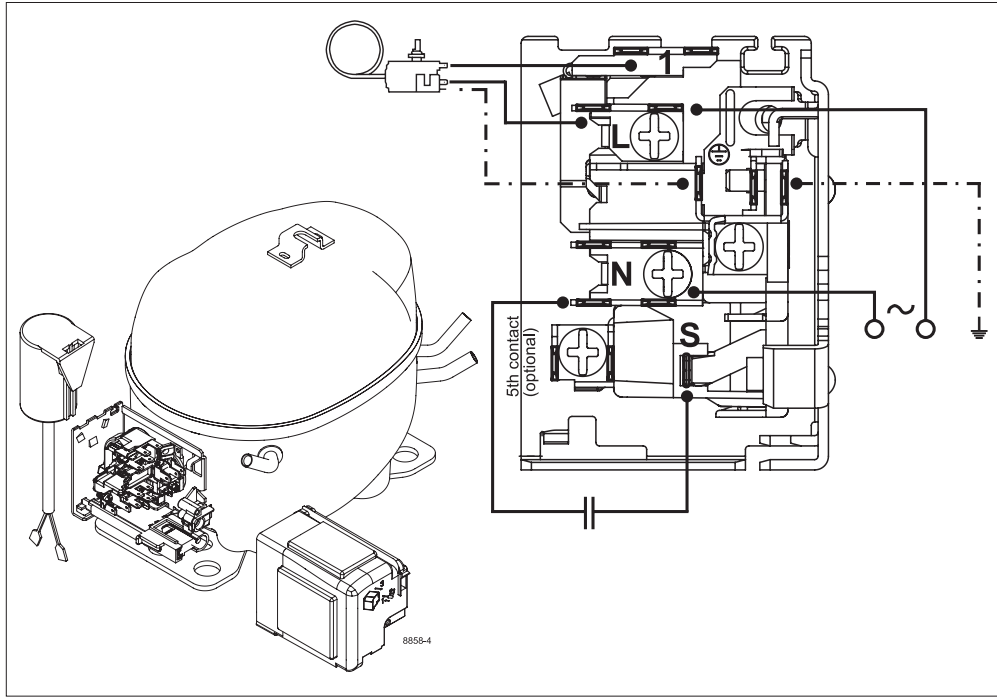
R600a, 220V/50Hz, RSCR, static, VDE

| | pe | | Cooling capacity | | | COP | EER | | P1 | I | m |
|------------------|------|------|------------------|---------|----------|-------|----------|-----------|-------|------|--------|
| | [°C] | [°F] | [W] | [Btu/h] | [kcal/h] | [W/W] | [Btu/Wh] | [kcal/Wh] | [W] | [A] | [kg/h] |
| [°C / °F] | -35 | -31 | 54,0 | 184 | 46,5 | 1,12 | 3,83 | 0,97 | 48,1 | 0,25 | 0,64 |
| cond. pressure | -30 | -22 | 72,7 | 248 | 62,6 | 1,30 | 4,45 | 1,12 | 55,8 | 0,27 | 0,86 |
| pc= 45/113 | -25 | -13 | 98,5 | 336 | 84,7 | 1,56 | 5,31 | 1,34 | 63,3 | 0,30 | 1,17 |
| return gas temp. | -23 | -10 | 108,5 | 371 | 93,4 | 1,65 | 5,64 | 1,42 | 65,7 | 0,31 | 1,29 |
| RGT= 32/90 | -20 | -4 | 129,7 | 443 | 111,7 | 1,84 | 6,30 | 1,59 | 70,4 | 0,32 | 1,55 |
| liquid temp | -15 | 5 | 165,2 | 564 | 142,2 | 2,14 | 7,32 | 1,85 | 77,1 | 0,35 | 1,97 |
| Tliq= 45/113 | -5 | 23 | 242,9 | 830 | 209,1 | 2,73 | 9,31 | 2,35 | 89,1 | 0,40 | 2,92 |
| [°C / °F] | -35 | -31 | 43,6 | 149 | 37,5 | 0,91 | 3,12 | 0,79 | 47,7 | 0,25 | 0,57 |
| cond. pressure | -30 | -22 | 62,0 | 212 | 53,4 | 1,07 | 3,66 | 0,92 | 57,8 | 0,28 | 0,81 |
| pc= 55/131 | -25 | -13 | 86,6 | 296 | 74,5 | 1,28 | 4,38 | 1,10 | 67,5 | 0,30 | 1,13 |
| return gas temp | -23 | -10 | 96,1 | 328 | 82,7 | 1,36 | 4,64 | 1,17 | 70,7 | 0,31 | 1,25 |
| RGT= 32/90 | -20 | -4 | 116,0 | 396 | 99,8 | 1,51 | 5,17 | 1,30 | 76,7 | 0,33 | 1,52 |
| liquid temp | -15 | 5 | 148,8 | 508 | 128,0 | 1,74 | 5,96 | 1,50 | 85,3 | 0,37 | 1,95 |
| Tliq= 55/131 | -5 | 23 | 218,9 | 747 | 188,3 | 2,17 | 7,43 | 1,87 | 100,6 | 0,43 | 2,88 |

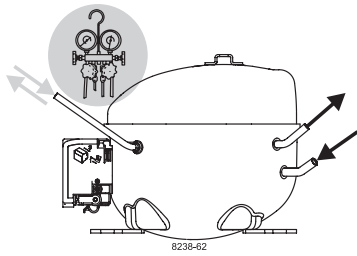


K-Series Compressors

GTK, HKK, HMK, HTK, HXK, HZK

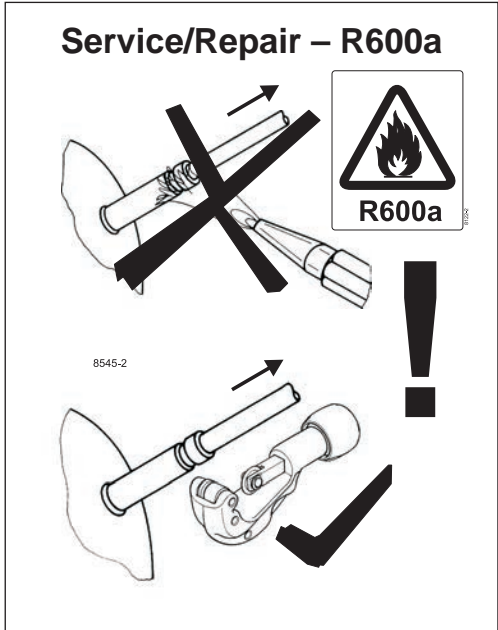
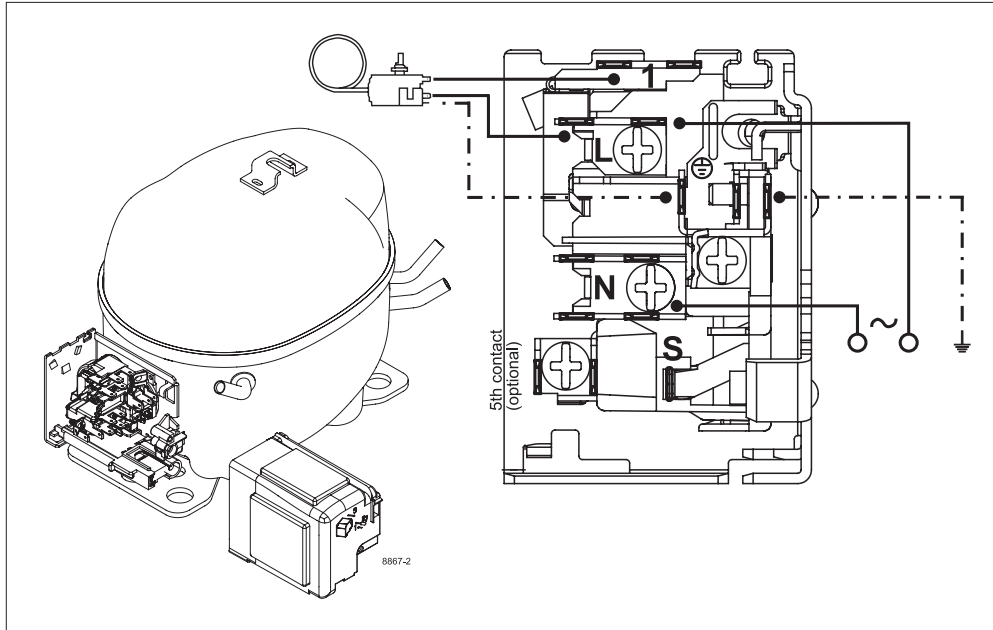


Service/Repair – R600a



K-Series Compressors

GTK, HKK, HMK, HTK, HXK, HZK



Secop accepts no responsibility for possible errors in catalogs, brochures, and other printed material. Secop reserves the right to alter its products without notice. This also applies to products already on order provided that such alterations can be made without subsequential changes being necessary to specifications already agreed. All trademarks in this material are the property of the respective companies. Secop and the Secop logotype are trademarks of Secop GmbH. All rights reserved. www.secop.com