

Single Pack NLE11MNT 208-230V 60Hz CSIR

Single pack code number: **195B4572**

Position	Title	Code	Amount
1	Compressor NLE11MNT	105H6199	1
2	Starting relay	117U7050	1
3	Starting capacitor (60 μ F 220V, 6.3mm)	117U5014	1
4	Cord relief	103N1010	1
5	Cover	103N2011	1
6	Bolt joint for one compressor M6 \varnothing 16mm	118-1917	1

Secop GmbH • Lise-Meitner-Straße 29 • 24941 Flensburg, Germany • Tel: +49 461 4941 0 • www.secop.com

Secop accepts no responsibility for possible errors in catalogs, brochures, and other printed material. Secop reserves the right to alter its products without notice. This also applies to products already on order provided that such alterations can be made without subsequent changes being necessary to specifications already agreed. All trademarks in this material are the property of the respective companies. Secop and the Secop logotype are trademarks of Secop GmbH. All rights reserved.

Model

Designation	NLE11MNT	208-230V/60Hz 1~	Sales code:	105H6199
-------------	-----------------	------------------	-------------	-----------------

Compressor design

Oil type	Polyolester	Refrigerant(s)	R290
Oil viscosity	32cST	Displacement	11,15cm ³ / 0,68cu.in
Oil quantity	298cm ³ / 10,1fl.oz	Compressors on pallet	80
Refr. charge - tech. limit	400g / 14,1oz		
Free gas volume comp.	2360cm ³ / 79,8fl.oz		
Weight	12,2kg / 26,9lbs		
Motor protection	1# internal		
Winding resistance main	4,33Ω (at 25°C)		
Winding resistance aux	15,24Ω (at 25°C)		
Max. winding temp.	125°C / 257°F		
Max. discharge temp.	130°C / 266°F		



General - Configurations with NLE11MNT

	Conf. 1	Conf. 2	Conf. 3	Conf. 4	Conf. 5
Motorconfiguration	CSIR	CSIR	RSCR	RSIR	RSIR
Power supply (nominal)	208-230V/60Hz	208-230V/60Hz	208-230V/60Hz	208-230V/60Hz	208-230V/60Hz
Number of phases	1	1	1	1	1
Voltage range	187-253V	187-242V	187-253V	187-253V	187-242V
Approvals	UL, CB	UL, CB	UL, CB	UL, CB	UL, CB
Starting torque	HST	HST	LST	LST	LST
Note	- / -				

Applications with NLE11MNT

	Conf. 1	Conf. 2	Conf. 3	Conf. 4	Conf. 5
Refrigerant	R290	R290	R290	R290	R290
Application	MBP	MBP	MBP	MBP	MBP
System cooling	fan 3m/s	fan 3m/s	fan 3m/s	fan 3m/s	fan 3m/s
Hot gas defrost	OK	OK	OK	OK	OK
Long interval pull down	OK	OK	OK	OK	OK

Electrical data - Configurations with NLE11MNT

	Conf. 1	Conf. 2	Conf. 3	Conf. 4	Conf. 5
Starting device type	relay	relay	PTC	PTC	PTC
Run capacitor	-/-	-/-	4μF	-/-	-/-
Start capacitor	60μF	60μF	-/-	-/-	-/-
LRA (locked rotor amps / 4s)	18,17A	18,17A	17,49A	17,49A	17,49A
RLA (rated load amps / 1s)	3,4A	3,4A	2,83A	3,4A	3,4A
Cut in current	18,17A	18,17A	21,69A	21,69A	21,69A

Model

Designation

NLE11MNT

208-230V/60Hz 1~

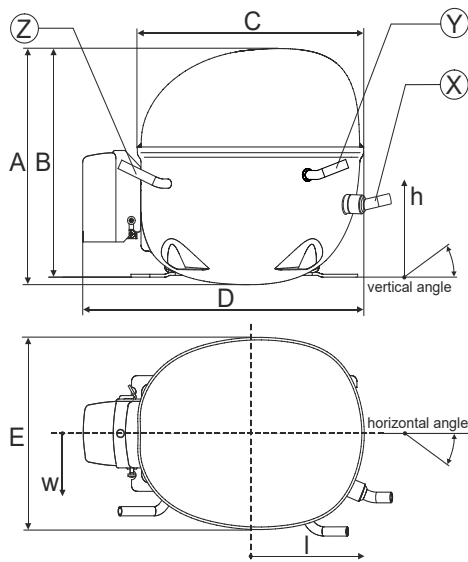
Sales code:

105H6199

Compressor dimensions

Housing	A Height	203mm / 7,99in
	B Height	197mm / 7,76in
	C Length shell	205mm / 8,07in
	D Length w. cover	254mm / 10in
	E Width	166mm / 6,54in

Connectors		Suction	Discharge	Process
		X	Y	Z
Diameter	[mm]	øi 8,11-8,29	øi 6,41-6,59	øi 6,41-6,59
	(i:inside, o:outside) [in]	øi 0,32-0,33	øi 0,25-0,26	øi 0,25-0,26
Material		copper	copper	copper
Horizontal angle	±2°	0°	0°	0°
Vertical angle	±2°	15°	21°	155°
Position l/h/w	[mm]	132/69/57	94/102/81	-109/94/72
	[in]	5,2/2,7/2,2	3,7/4/3,2	-4,3/3,7/2,8
Straight tube l.	[mm]	12	12	12
	[in]	0,5	0,5	0,5



Compressor fixation



Bolt joint



Snap-on



Mounting accessories

	one comp.	multi pack
Bolt joint M6 ø16mm	118-1917	118-1918
Bolt joint ø1/4" ø16mm	118-1946	
Bolt joint ø1/4" ø19mm	118-1949	
Snap-on ø7,3 ø16mm	118-1947	118-1919

Application notes

LRA value on compressor label and datasheet may differ due to different test conditions for UL approval.

Provision for PE Grounding is located at the PE Stamp on the compressor

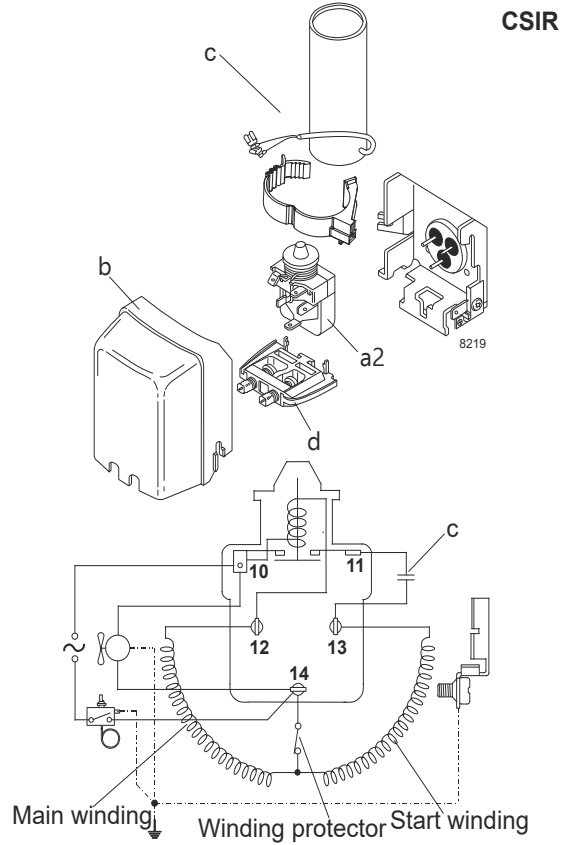
Model

Designation	NLE11MNT	208-230V/60Hz	Conf. 1	Sales code:	105H6199
-------------	-----------------	----------------------	---------	-------------	-----------------

Configuration

Motorconfiguration	CSIR	
Power supply (nominal)	208-230V/60Hz 1~	
Refrigerant	R290	
Application	MBP	
Voltage range	187-253V	
Starting torque	HST	
Approvals	UL	SA3693
	CB	

Electrical accessories / wiring diagram



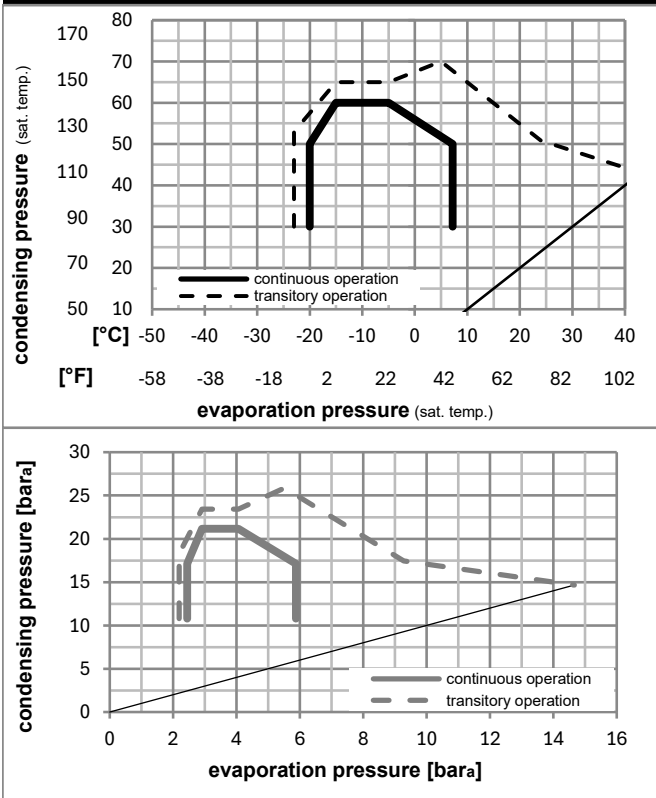
Ambient/ machine room temperatures minimum /maximum

Ambient temperature range: 10 - 43°C / 50 - 110°F

Machine room temperature range: 10 - 48°C / 50 - 119°F

Compressor cooling: fan 3m/s

Operation pressure range



Components

a2	current relay	117U7050
c	start capacitor (60µF)	117U5014
b	plastic cover	103N2011
d	cord relief	103N1010

Model

Designation **NLE11MNT** **208-230V/60Hz** Conf. 1 Sales code: **105H6199**

Optimization + standard conditions

R290, 230V/60Hz, CSIR, fan 3m/s, UL, CB

Evaporating pressure (saturation temperature)					Condensing pressure (saturation temperature)					Power consumption					ASHRAE MBP
Return gas temp.				Cooling capacity	COP	EER	P1	Current consumption		Ref. mass flow	cecomaf MBP				
pe	pc	RGT	Tliq					[W]	[Btu/h]			[kcal/h]	[W/W]	[Btu/Wh]	
[°C]	-7	54	35	46	1177,6	4022	1013,4	2,02	6,89	1,74		583,8	3,29	13,43	ASHRAE MBP
[°F]	20	130	95	115											
[°C]	-10	55	32	55	942,4	3219	811,1	1,70	5,79	1,46	555,6	3,19	11,92	cecomaf MBP	
[°F]	14	131	90	131											
[°C]	-10	45	20	45	1038,2	3546	893,5	2,03	6,93	1,75	511,8	3,03	12,75	EN12900 MBP	
[°F]	14	113	68	113											
[°C]	-7	49	18	49	1102,4	3765	948,7	1,98	6,76	1,70	557,2	3,19	14,31	ARI540 MBP	
[°F]	20	120	65	120											
[°C]	-10	45	32	45	1080,8	3691	930,2	2,11	7,21	1,82	511,8	3,03	12,36	opt	
[°F]	14	113	90	113											
[°C]	-25	45	32	45	587,5	2006	505,6	1,52	5,21	1,31	385,3	2,57	6,63	opt	
[°F]	-13	113	90	113											

Performance tables

R290, 230V/60Hz, CSIR, fan 3m/s, UL, CB

	pe		Cooling capacity			COP	EER		P1	I	m
	[°C]	[°F]	[W]	[Btu/h]	[kcal/h]	[W/W]	[Btu/Wh]	[kcal/Wh]	[W]	[A]	[kg/h]
[°C / °F]	-20	-4	731,5	2498	629,5	1,70	5,82	1,47	429,3	2,73	8,28
cond. pressure	-15	5	895,1	3057	770,3	1,90	6,48	1,63	471,9	2,88	10,18
pc= 45/113	-9	15	1102,9	3767	949,2	2,14	7,30	1,84	516,0	3,04	12,63
return gas temp.	-7	20	1218,1	4160	1048,3	2,27	7,76	1,96	536,2	3,12	13,99
RGT= 32/90	-4	25	1341,2	4581	1154,3	2,42	8,26	2,08	554,8	3,18	15,47
liquid temp	0	32	1527,9	5218	1314,9	2,64	9,03	2,28	577,8	3,27	17,72
Tliq= 45/113	7,2	45	1922,4	6565	1654,4	3,16	10,78	2,72	608,8	3,38	22,59
[°C / °F]	-20	-4	637,6	2178	548,7	1,39	4,76	1,20	457,2	2,83	7,97
cond. pressure	-15	5	780,5	2666	671,7	1,54	5,25	1,32	507,4	3,01	9,81
pc= 55/131	-9	15	961,7	3284	827,6	1,71	5,86	1,48	560,8	3,20	12,17
return gas temp	-7	20	1062,1	3627	914,1	1,81	6,19	1,56	586,1	3,30	13,50
RGT= 32/90	-4	25	1169,6	3994	1006,6	1,92	6,55	1,65	610,1	3,38	14,93
liquid temp	0	32	1332,8	4552	1147,0	2,08	7,10	1,79	641,0	3,49	17,12
Tliq= 55/131	7,2	45	1678,8	5733	1444,8	2,44	8,33	2,10	688,2	3,66	21,87

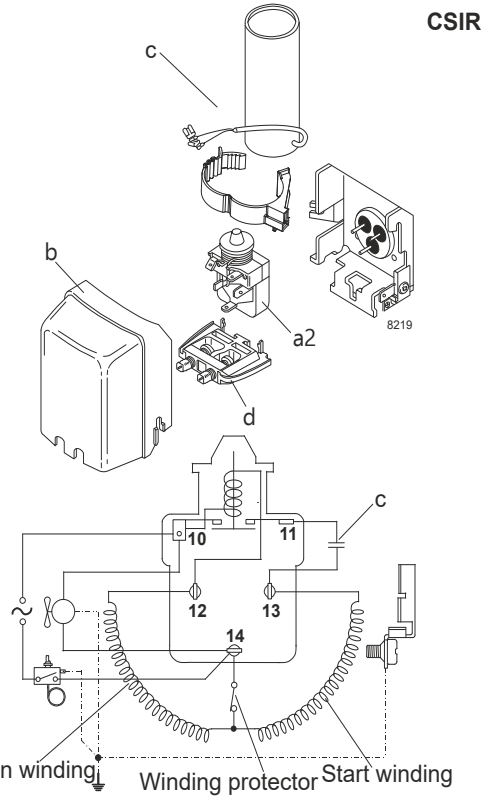
Model

Designation	NLE11MNT	208-230V/60Hz	Conf. 2	Sales code:	105H6199
-------------	-----------------	----------------------	----------------	-------------	-----------------

Configuration

Motorconfiguration	CSIR	
Power supply (nominal)	208-230V/60Hz 1~	
Refrigerant	R290	
Application	MBP	
Voltage range	187-242V	
Starting torque	HST	
Approvals	UL	SA3693
	CB	

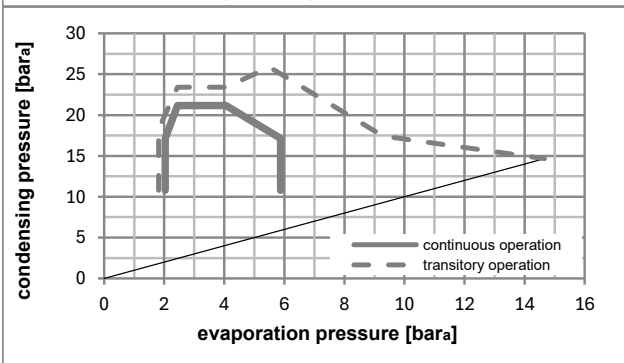
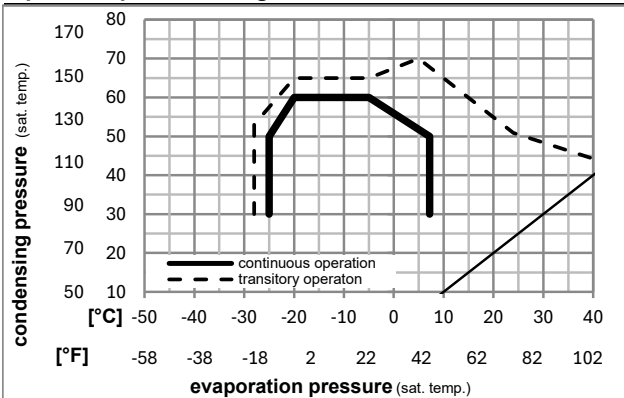
Electrical accessories / wiring diagram



Ambient/ machine room temperatures minimum /maximum

Ambient temperature range:	10 - 43°C / 50 - 110°F
Machine room temperature range:	10 - 48°C / 50 - 119°F
Compressor cooling:	fan 3m/s

Operation pressure range



Components

a2	current relay	117U7050
c	start capacitor (60µF)	117U5014
b	plastic cover	103N2011
d	cord relief	103N1010

Model

Designation **NLE11MNT** **208-230V/60Hz** Conf. 2 Sales code: **105H6199**

Optimization + standard conditions

R290, 230V/60Hz, CSIR, fan 3m/s, UL, CB

		Evaporating pressure (saturation temperature)				Cooling capacity			COP	EER	Power consumption				
		Condensing pressure (saturation temperature)									Current consumption		Ref. mass flow		
		Return gas temp.									I		m		
		Liquid temp.													
		Cooling capacity													
		pe	pc	RGT	Tliq	[W]	[Btu/h]	[kcal/h]	[W/W]	[Btu/Wh]	[kcal/Wh]	P1	I	m	
[°C]	[°F]	[°C]	[°F]	[°C]	[°C]							[W]	[A]	[kg/h]	
-7	20	54	130	35	46	1177,6	4022	1013,4	2,02	6,89	1,74	583,8	3,29	13,43	ASHRAE MBP
-10	14	55	131	32	55	942,4	3219	811,1	1,70	5,79	1,46	555,6	3,19	11,92	cecomaf MBP
-10	14	45	113	20	45	1038,2	3546	893,5	2,03	6,93	1,75	511,8	3,03	12,75	EN12900 MBP
-7	20	49	120	18	49	1102,4	3765	948,7	1,98	6,76	1,70	557,2	3,19	14,31	ARI540 MBP
-10	14	45	113	32	45	1080,8	3691	930,2	2,11	7,21	1,82	511,8	3,03	12,36	opt
-25	-13	45	113	32	45	587,5	2006	505,6	1,52	5,21	1,31	385,3	2,57	6,63	opt

Performance tables

R290, 230V/60Hz, CSIR, fan 3m/s, UL, CB

	pe		Cooling capacity			COP	EER	P1			I	m
	[°C]	[°F]	[W]	[Btu/h]	[kcal/h]	[W/W]	[Btu/Wh]	[kcal/Wh]	[W]	[A]	[kg/h]	
[°C / °F]	-25	-13	587,5	2006	505,6	1,52	5,21	1,31	385,3	2,57	6,63	
cond. pressure	-23	-10	633,4	2163	545,2	1,58	5,41	1,36	400,0	2,63	7,15	
pc= 45/113	-15	5	895,1	3057	770,3	1,90	6,48	1,63	471,9	2,88	10,18	
return gas temp.	-9	15	1102,9	3767	949,2	2,14	7,30	1,84	516,0	3,04	12,63	
RGT= 32/90	-4	25	1341,2	4581	1154,3	2,42	8,26	2,08	554,8	3,18	15,47	
liquid temp	0	32	1527,9	5218	1314,9	2,64	9,03	2,28	577,8	3,27	17,72	
Tliq= 45/113	7,2	45	1922,4	6565	1654,4	3,16	10,78	2,72	608,8	3,38	22,59	
[°C / °F]	-25	-13	511,3	1746	440,1	1,26	4,29	1,08	406,6	2,65	6,37	
cond. pressure	-23	-10	551,7	1884	474,8	1,30	4,45	1,12	423,4	2,71	6,88	
pc= 55/131	-15	5	780,5	2666	671,7	1,54	5,25	1,32	507,4	3,01	9,81	
return gas temp	-9	15	961,7	3284	827,6	1,71	5,86	1,48	560,8	3,20	12,17	
RGT= 32/90	-4	25	1169,6	3994	1006,6	1,92	6,55	1,65	610,1	3,38	14,93	
liquid temp	0	32	1332,8	4552	1147,0	2,08	7,10	1,79	641,0	3,49	17,12	
Tliq= 55/131	7,2	45	1678,8	5733	1444,8	2,44	8,33	2,10	688,2	3,66	21,87	

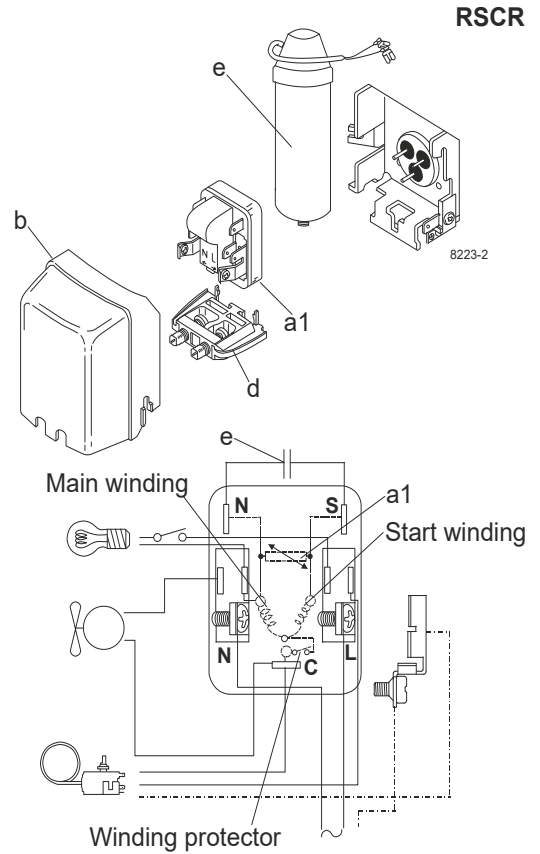
Model

Designation	NLE11MNT	208-230V/60Hz	Conf. 3	Sales code:	105H6199
-------------	-----------------	----------------------	----------------	-------------	-----------------

Configuration

Motorconfiguration	RSCR	
Power supply (nominal)	208-230V/60Hz 1~	
Refrigerant	R290	
Application	MBP	
Voltage range	187-253V	
Starting torque	LST	
Approvals	UL	SA3693
	CB	

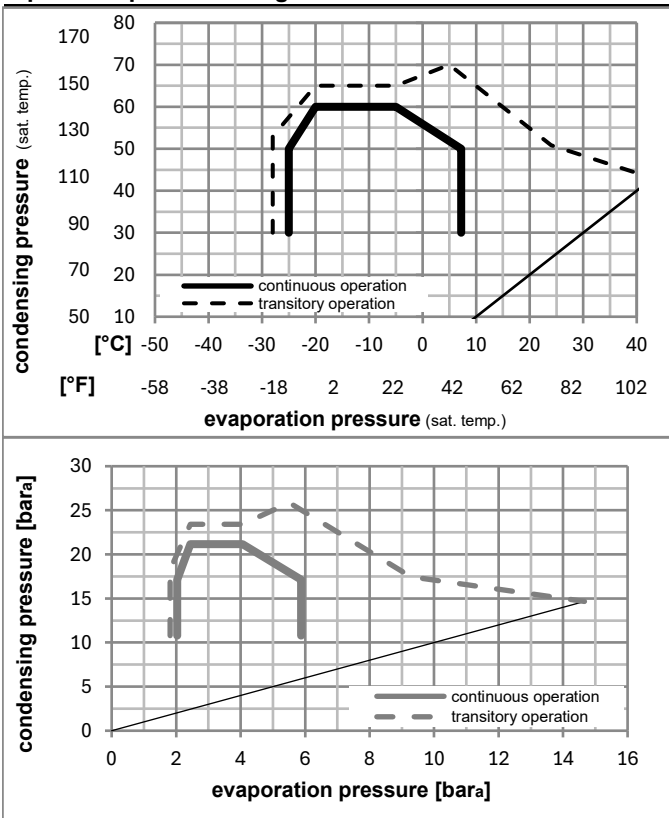
Electrical accessories / wiring diagram



Ambient/ machine room temperatures minimum /maximum

Ambient temperature range:	10 - 43°C / 50 - 110°F
Machine room temperature range:	10 - 48°C / 50 - 119°F
Compressor cooling:	fan 3m/s

Operation pressure range



Components

a1	e-PTC starter (220V, 250hm, 4.8mm)	103N0050
e	run capacitor (4μF, 4.8mm)	117-7119
b	plastic cover	103N2011
d	cord relief	103N1010
	bracket for run capacitor	117-0300
	screw M4x8mm	117-0301

Model

Designation	NLE11MNT	208-230V/60Hz	Conf. 3	Sales code:	105H6199
-------------	-----------------	----------------------	----------------	-------------	-----------------

Optimization + standard conditions

R290, 230V/60Hz, RSCR, fan 3m/s, UL, CB

		Evaporating pressure (saturation temperature)				Condensing pressure (saturation temperature)			Return gas temp.			Liquid temp.			Cooling capacity			COP	EER	Power consumption			
		pe	pc	RGT	Tliq	[W]	[Btu/h]	[kcal/h]	[W/W]	[Btu/Wh]	[kcal/Wh]	P1	I	m	[W]	[A]	[kg/h]						
[°C]	[°F]	[°C]	[°F]	[°C]	[°F]																		
-7	20	54	130	35	95	46	115	1201,6	4104	1034,1	2,18	7,45	1,88	551,1	2,69	13,71					ASHRAE MBP		
-10	14	55	131	32	90	55	131	962,4	3287	828,2	1,83	6,26	1,58	525,4	2,59	12,17					cecomaf MBP		
-10	14	45	113	20	68	45	113	1052,0	3593	905,4	2,17	7,40	1,86	485,7	2,47	12,92					EN12900 MBP		
-7	20	49	120	18	65	49	120	1120,4	3826	964,2	2,13	7,26	1,83	527,2	2,61	14,55					ARI540 MBP		
-10	14	45	113	32	90	45	113	1095,2	3740	942,5	2,25	7,70	1,94	485,7	2,47	12,53					opt		
-25	-13	45	113	32	90	45	113	593,7	2028	511,0	1,61	5,51	1,39	368,2	2,06	6,70					opt		

Performance tables

R290, 230V/60Hz, RSCR, fan 3m/s, UL, CB

	pe		Cooling capacity			COP	EER	P1	I	m	
	[°C]	[°F]	[W]	[Btu/h]	[kcal/h]	[W/W]	[Btu/Wh]	[kcal/Wh]	[W]	[A]	[kg/h]
[°C / °F]	-25	-13	593,7	2028	511,0	1,61	5,51	1,39	368,2	2,06	6,70
cond. pressure	-23	-10	640,6	2188	551,3	1,68	5,73	1,44	382,0	2,11	7,23
pc= 45/113	-15	5	906,7	3097	780,3	2,02	6,90	1,74	448,8	2,34	10,32
return gas temp.	-9	15	1117,6	3817	961,8	2,28	7,80	1,96	489,6	2,48	12,79
RGT= 32/90	-4	25	1359,2	4642	1169,7	2,59	8,84	2,23	525,2	2,62	15,67
liquid temp	0	32	1548,3	5288	1332,5	2,83	9,68	2,44	546,2	2,69	17,96
Tliq= 45/113	7,2	45	1947,6	6651	1676,1	3,39	11,58	2,92	574,5	2,80	22,88
[°C / °F]	-25	-13	520,3	1777	447,7	1,34	4,59	1,16	387,3	2,09	6,48
cond. pressure	-23	-10	562,0	1919	483,7	1,39	4,76	1,20	403,1	2,15	7,01
pc= 55/131	-15	5	797,0	2722	685,9	1,66	5,66	1,43	480,9	2,43	10,02
return gas temp	-9	15	982,0	3354	845,1	1,85	6,33	1,59	530,1	2,61	12,43
RGT= 32/90	-4	25	1193,4	4076	1027,1	2,08	7,09	1,79	575,1	2,79	15,23
liquid temp	0	32	1358,9	4641	1169,5	2,25	7,69	1,94	603,2	2,90	17,45
Tliq= 55/131	7,2	45	1709,0	5837	1470,8	2,65	9,04	2,28	645,7	3,07	22,27

Model

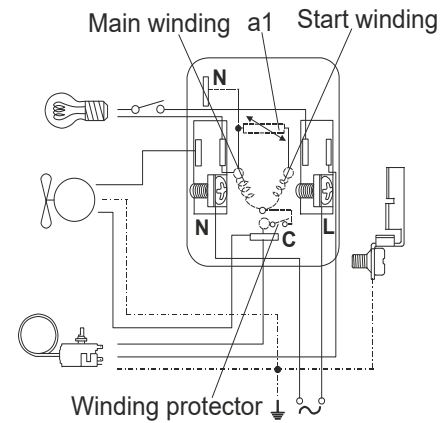
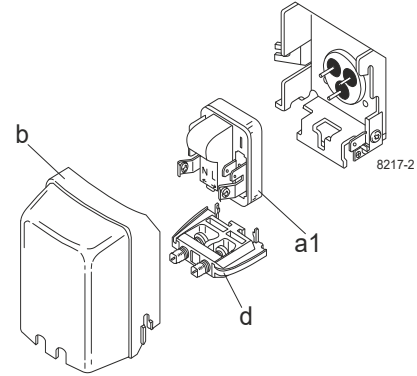
Designation	NLE11MNT	208-230V/60Hz	Conf. 4	Sales code:	105H6199
-------------	-----------------	----------------------	----------------	-------------	-----------------

Configuration

Motorconfiguration	RSIR	
Power supply (nominal)	208-230V/60Hz 1~	
Refrigerant	R290	
Application	MBP	
Voltage range	187-253V	
Starting torque	LST	
Approvals	UL	SA3693
	CB	

Electrical accessories / wiring diagram

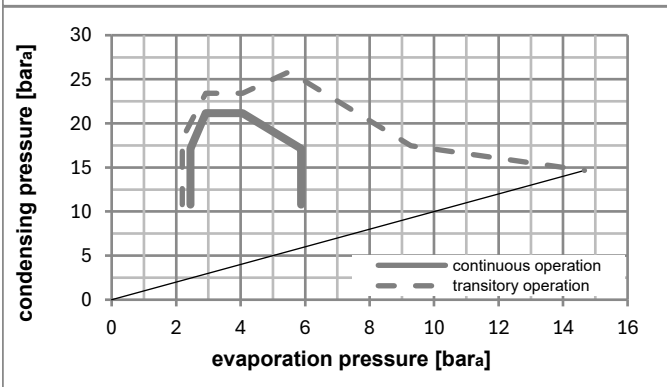
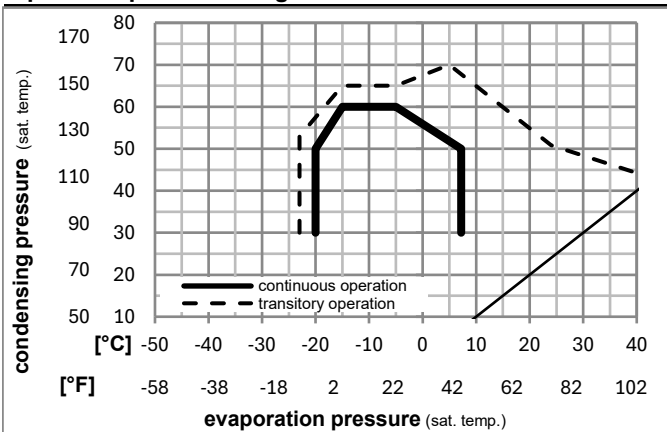
RSIR



Ambient/ machine room temperatures minimum /maximum

Ambient temperature range:	10 - 43°C / 50 - 110°F
Machine room temperature range:	10 - 48°C / 50 - 119°F
Compressor cooling:	fan 3m/s

Operation pressure range



Components

a1	e-PTC starter (220V, 250hm, 4.8mm)	103N0050
b	plastic cover	103N2011
d	cord relief	103N1010

Model

Designation	NLE11MNT	208-230V/60Hz	Conf. 4	Sales code:	105H6199
-------------	-----------------	----------------------	----------------	-------------	-----------------

Optimization + standard conditions

R290, 230V/60Hz, RSIR, fan 3m/s, UL, CB

		Evaporating pressure (saturation temperature)				Cooling capacity						Power consumption			
		Condensing pressure (saturation temperature)				COP						Current consumption			
		Return gas temp.				EER						Ref. mass flow			
		Liquid temp.				P1						I			
		Cooling capacity				[W]						[A]			
		[W]				[Btu/h]						[kg/h]			
		[kcal/h]				[W/W]						[Btu/Wh]			
		[kcal/Wh]				[W]						[A]			
[°C]	-7	54	35	46	1177,6	4022	1013,4	2,02	6,89	1,74	583,8	3,29	13,43	ASHRAE MBP	
[°F]	20	130	95	115											
[°C]	-10	55	32	55	942,4	3219	811,1	1,70	5,79	1,46	555,6	3,19	11,92	cecomaf MBP	
[°F]	14	131	90	131											
[°C]	-10	45	20	45	1038,2	3546	893,5	2,03	6,93	1,75	511,8	3,03	12,75	EN12900 MBP	
[°F]	14	113	68	113											
[°C]	-7	49	18	49	1102,4	3765	948,7	1,98	6,76	1,70	557,2	3,19	14,31	ARI540 MBP	
[°F]	20	120	65	120											
[°C]	-10	45	32	45	1080,8	3691	930,2	2,11	7,21	1,82	511,8	3,03	12,36	opt	
[°F]	14	113	90	113											
[°C]	-25	45	32	45	587,5	2006	505,6	1,52	5,21	1,31	385,3	2,57	6,63	opt	
[°F]	-13	113	90	113											

Performance tables

R290, 230V/60Hz, RSIR, fan 3m/s, UL, CB

	pe		Cooling capacity			COP			EER			P1		I		m	
	[°C]	[°F]	[W]	[Btu/h]	[kcal/h]	[W/W]	[Btu/Wh]	[kcal/Wh]	[W]	[A]	[kg/h]	[W]	[A]	[kg/h]	[W]	[A]	[kg/h]
[°C / °F]	-20	-4	731,5	2498	629,5	1,70	5,82	1,47	429,3	2,73	8,28	429,3	2,73	8,28	429,3	2,73	8,28
cond. pressure	-15	5	895,1	3057	770,3	1,90	6,48	1,63	471,9	2,88	10,18	471,9	2,88	10,18	471,9	2,88	10,18
pc= 45/113	-9	15	1102,9	3767	949,2	2,14	7,30	1,84	516,0	3,04	12,63	516,0	3,04	12,63	516,0	3,04	12,63
return gas temp.	-7	20	1218,1	4160	1048,3	2,27	7,76	1,96	536,2	3,12	13,99	536,2	3,12	13,99	536,2	3,12	13,99
RGT= 32/90	-4	25	1341,2	4581	1154,3	2,42	8,26	2,08	554,8	3,18	15,47	554,8	3,18	15,47	554,8	3,18	15,47
liquid temp	0	32	1527,9	5218	1314,9	2,64	9,03	2,28	577,8	3,27	17,72	577,8	3,27	17,72	577,8	3,27	17,72
Tliq= 45/113	7,2	45	1922,4	6565	1654,4	3,16	10,78	2,72	608,8	3,38	22,59	608,8	3,38	22,59	608,8	3,38	22,59
[°C / °F]	-20	-4	637,6	2178	548,7	1,39	4,76	1,20	457,2	2,83	7,97	457,2	2,83	7,97	457,2	2,83	7,97
cond. pressure	-15	5	780,5	2666	671,7	1,54	5,25	1,32	507,4	3,01	9,81	507,4	3,01	9,81	507,4	3,01	9,81
pc= 55/131	-9	15	961,7	3284	827,6	1,71	5,86	1,48	560,8	3,20	12,17	560,8	3,20	12,17	560,8	3,20	12,17
return gas temp	-7	20	1062,1	3627	914,1	1,81	6,19	1,56	586,1	3,30	13,50	586,1	3,30	13,50	586,1	3,30	13,50
RGT= 32/90	-4	25	1169,6	3994	1006,6	1,92	6,55	1,65	610,1	3,38	14,93	610,1	3,38	14,93	610,1	3,38	14,93
liquid temp	0	32	1332,8	4552	1147,0	2,08	7,10	1,79	641,0	3,49	17,12	641,0	3,49	17,12	641,0	3,49	17,12
Tliq= 55/131	7,2	45	1678,8	5733	1444,8	2,44	8,33	2,10	688,2	3,66	21,87	688,2	3,66	21,87	688,2	3,66	21,87

Model

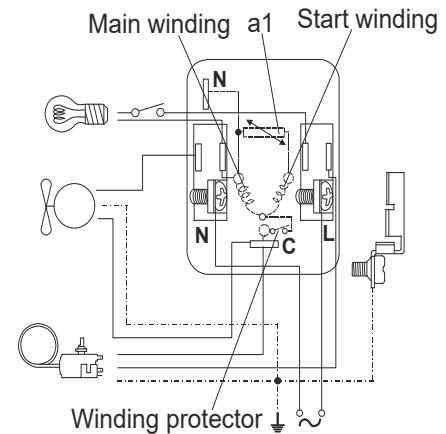
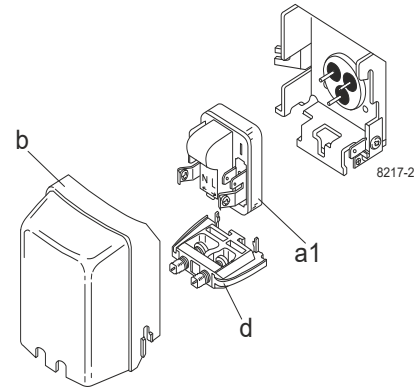
Designation	NLE11MNT	208-230V/60Hz	Conf. 5	Sales code:	105H6199
-------------	-----------------	----------------------	----------------	-------------	-----------------

Configuration

Motorconfiguration	RSIR
Power supply (nominal)	208-230V/60Hz 1~
Refrigerant	R290
Application	MBP
Voltage range	187-242V
Starting torque	LST
Approvals	UL SA3693
	CB

Electrical accessories / wiring diagram

RSIR



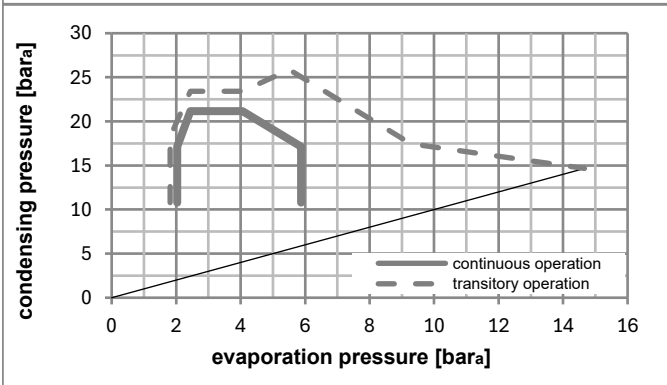
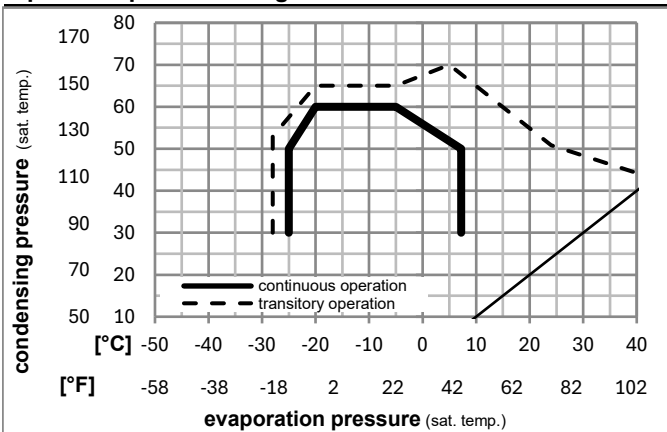
Ambient/ machine room temperatures minimum /maximum

Ambient temperature range: 10 - 43°C / 50 - 110°F

Machine room temperature range: 10 - 48°C / 50 - 119°F

Compressor cooling: fan 3m/s

Operation pressure range



Components

a1	e-PTC starter (220V, 250hm, 4.8mm)	103N0050
b	plastic cover	103N2011
d	cord relief	103N1010

Model

Designation **NLE11MNT** **208-230V/60Hz** Conf. 5 Sales code: **105H6199**

Optimization + standard conditions

R290, 230V/60Hz, RSIR, fan 3m/s, UL, CB

		Evaporating pressure (saturation temperature)				Cooling capacity						Power consumption			
		Condensing pressure (saturation temperature)				COP						Current consumption			
		Return gas temp.				EER						Ref. mass flow			
		Liquid temp.				P1						I			
		Cooling capacity				[W]						[A]			
		[W]				[Btu/h]						[kg/h]			
		[kcal/h]				[W/W]									
		[Btu/Wh]				[kcal/Wh]									
		pe				pc						RGT			
		Tliq													
[°C]	[°F]	[°C]	[°F]	[°C]	[°F]	[W]	[Btu/h]	[kcal/h]	[W/W]	[Btu/Wh]	[kcal/Wh]	[W]	[A]	[kg/h]	
-7	20	54	130	35	95	1177,6	4022	1013,4	2,02	6,89	1,74	583,8	3,29	13,43	ASHRAE MBP
-10	14	55	131	32	90	942,4	3219	811,1	1,70	5,79	1,46	555,6	3,19	11,92	cecomaf MBP
-10	14	45	113	20	68	1038,2	3546	893,5	2,03	6,93	1,75	511,8	3,03	12,75	EN12900 MBP
-7	20	49	120	18	65	1102,4	3765	948,7	1,98	6,76	1,70	557,2	3,19	14,31	ARI540 MBP
-10	14	45	113	32	90	1080,8	3691	930,2	2,11	7,21	1,82	511,8	3,03	12,36	opt
-25	-13	45	113	32	90	587,5	2006	505,6	1,52	5,21	1,31	385,3	2,57	6,63	opt

Performance tables

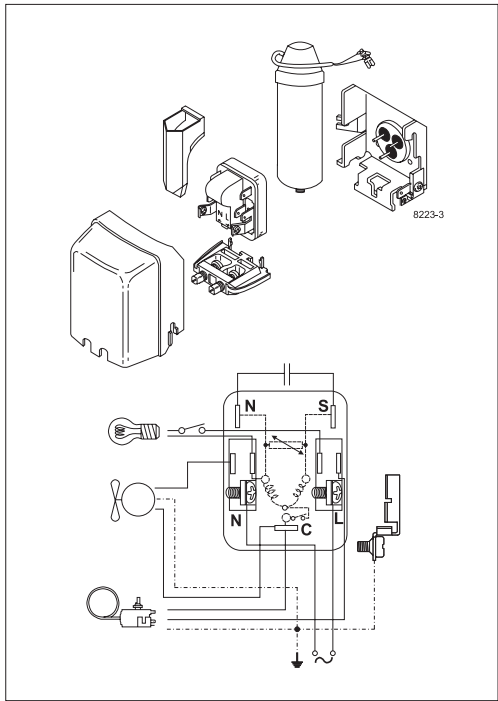
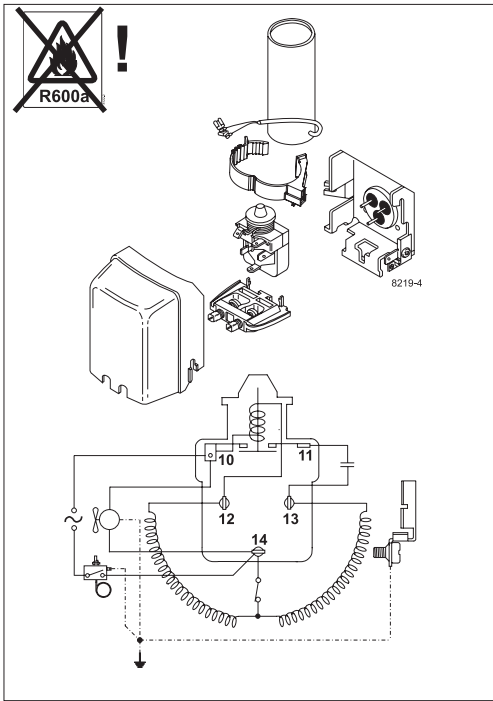
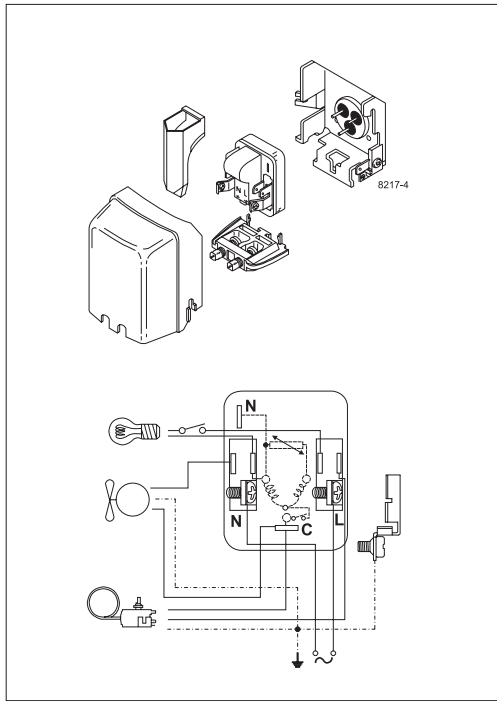
R290, 230V/60Hz, RSIR, fan 3m/s, UL, CB

	pe		Cooling capacity			COP			EER			P1			I			m			
	[°C]	[°F]	[W]	[Btu/h]	[kcal/h]	[W/W]	[Btu/Wh]	[kcal/Wh]	[W]	[A]	[kg/h]	[W]	[A]	[kg/h]	[W]	[A]	[kg/h]	[W]	[A]	[kg/h]	
[°C / °F]	-25	-13	587,5	2006	505,6	1,52	5,21	1,31	385,3	2,57	6,63										
cond. pressure	-23	-10	633,4	2163	545,2	1,58	5,41	1,36	400,0	2,63	7,15										
pc= 45/113	-15	5	895,1	3057	770,3	1,90	6,48	1,63	471,9	2,88	10,18										
return gas temp.	-9	15	1102,9	3767	949,2	2,14	7,30	1,84	516,0	3,04	12,63										
RGT= 32/90	-4	25	1341,2	4581	1154,3	2,42	8,26	2,08	554,8	3,18	15,47										
liquid temp	0	32	1527,9	5218	1314,9	2,64	9,03	2,28	577,8	3,27	17,72										
Tliq= 45/113	7,2	45	1922,4	6565	1654,4	3,16	10,78	2,72	608,8	3,38	22,59										
[°C / °F]	-25	-13	511,3	1746	440,1	1,26	4,29	1,08	406,6	2,65	6,37										
cond. pressure	-23	-10	551,7	1884	474,8	1,30	4,45	1,12	423,4	2,71	6,88										
pc= 55/131	-15	5	780,5	2666	671,7	1,54	5,25	1,32	507,4	3,01	9,81										
return gas temp	-9	15	961,7	3284	827,6	1,71	5,86	1,48	560,8	3,20	12,17										
RGT= 32/90	-4	25	1169,6	3994	1006,6	1,92	6,55	1,65	610,1	3,38	14,93										
liquid temp	0	32	1332,8	4552	1147,0	2,08	7,10	1,79	641,0	3,49	17,12										
Tliq= 55/131	7,2	45	1678,8	5733	1444,8	2,44	8,33	2,10	688,2	3,66	21,87										



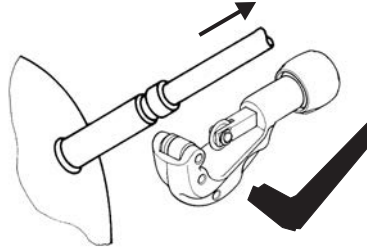
8238-20

NL Compressors





Service/Repair – R600a, R290



8545

Brazing on Suction Connectors (Direct Intake)

representative image



**! max. 150°C/302°F !
at socket**
brazing solder: phosphor (LP7) or silver

Refer to Product Bulletin:
**Brazing on Suction Connectors
(Compressors with Direct Suction Intake)**

Secop accepts no responsibility for possible errors in catalogs, brochures, and other printed material. Secop reserves the right to alter its products without notice. This also applies to products already on order provided that such alterations can be made without subsequential changes being necessary to specifications already agreed. All trademarks in this material are the property of the respective companies. Secop and the Secop logotype are trademarks of Secop GmbH. All rights reserved. www.secop.com