

Single Pack HXK80AT 200-240V 50Hz / 208-230V 60Hz RSIR

Single pack code number: **195B4617**

Position	Title	Code	Amount
1	Compressor HXK80AT	16408600	1
2	Clip	10633900	4
3	Steel pin	10634100	4
4	Washer	10634300	4
5	Screw for cable clamp	10636000	1
6	Screw for cable clamp	10636200	1
7	Cover	10636401	1
8	Earth screw	10641201	1
9	Rubber grommet 16mm	11322600	4
10	Cable clamp	11341000	1
11	Terminal board 6.3mm	16403700	1

Secop GmbH • Lise-Meitner-Straße 29 • 24941 Flensburg, Germany • Tel: +49 461 4941 0 • www.secop.com

Secop accepts no responsibility for possible errors in catalogs, brochures, and other printed material. Secop reserves the right to alter its products without notice. This also applies to products already on order provided that such alterations can be made without subsequent changes being necessary to specifications already agreed. All trademarks in this material are the property of the respective companies. Secop and the Secop logotype are trademarks of Secop GmbH. All rights reserved.

Model

Designation	HXK80AT	200-240V/50Hz 1~ 208-230V/60Hz 1~	Sales code:	16408600
-------------	----------------	-----------------------------------	-------------	-----------------

Compressor design

Oil type	Mineral	Refrigerant(s)	R600a
Oil viscosity	5cST	Displacement	8,1cm ³ / 0,49cu.in
Oil quantity	162cm ³ / 5,5fl.oz	Compressors on pallet	100
Refr. charge - tech. limit	150g / 5,3oz		
Free gas volume comp.	1620cm ³ / 54,8fl.oz		
Weight	8,1kg / 17,9lbs		
Motor protection	external		
Winding resistance main	24,3Ω (at 25°C)		
Winding resistance aux	13,8Ω (at 25°C)		
Max. winding temp.	130°C / 266°F		
Max. discharge temp.	130°C / 266°F		



General - Configurations with HXK80AT

	Conf. 1	Conf. 2	Conf. 3	Conf. 4
Motorconfiguration	RSCR	RSIR	RSCR	RSCR
Power supply (nominal)	200-240V/50Hz	200-240V/50Hz	220-240V/50Hz	208-230V/60Hz
Number of phases	1	1	1	1
Voltage range	170-264V	170-264V	170-264V	198-253V
Approvals	VDE	VDE	VDE	VDE
Starting torque	LST	LST	LST	LST
Note	Various options of connectors are possible - please contact SECOP-Sales.			

Applications with HXK80AT

	Conf. 1	Conf. 2	Conf. 3	Conf. 4
Refrigerant	R600a	R600a	R600a	R600a
Application	LBP	LBP	LBP	LBP
System cooling	static	static	static	static
Hot gas defrost	-/-	-/-	-/-	-/-
Long interval pull down	-/-	-/-	-/-	-/-

Electrical data - Configurations with HXK80AT

	Conf. 1	Conf. 2	Conf. 3	Conf. 4
Starting device type	PTC	PTC	PTC	PTC
Run capacitor	4μF	-/-	4μF	4μF
Start capacitor	-/-	-/-	-/-	-/-
LRA (locked rotor amps / 4s/ U(N))				
RLA (rated load amps / 1s/ U(N))	-/-A	-/-A		-/-A
Cut in current (U(N))				

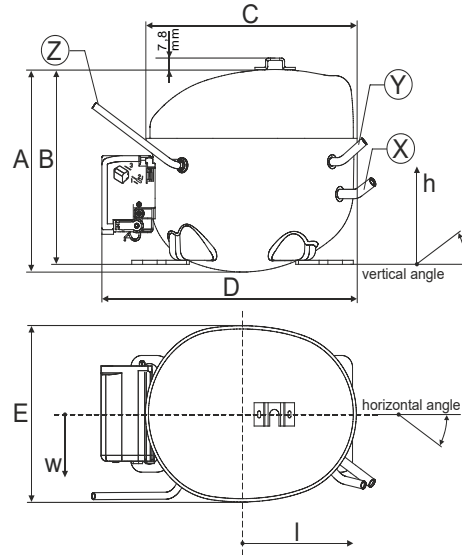
Model

Designation	HXK80AT	200-240V/50Hz 1~ 208-230V/60Hz 1~	Sales code:	16408600
-------------	----------------	-----------------------------------	-------------	-----------------

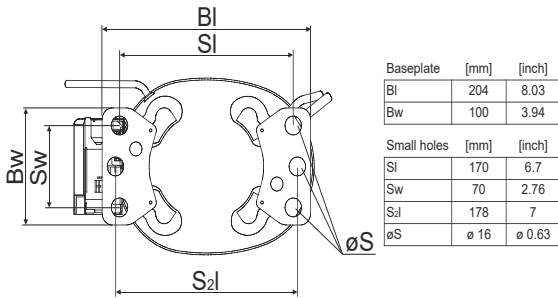
Compressor dimensions

Housing	A Height	174mm / 6,85in
	B Height	167mm / 6,57in
	C Length shell	194mm / 7,64in
	D Length w. cover	238mm / 9,37in
	E Width	151mm / 5,94in

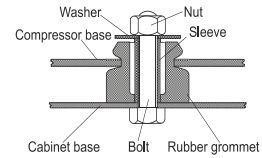
Connectors		Suction	Discharge	Process
		X	Y	Z
Diameter	[mm]	øi 6,1-6,2	øi 5,1-5,2	øo 5,92-6,08
	(i:inside, o:outside) [in]	øi 0,24-0,24	øi 0,2-0,2	øo 0,23-0,24
Material		copper	copper	copper
Horizontal angle	±2°	45°	13°	0°
Vertical angle	±2°	30°	40°	145°
Position l/h/w	[mm]	120/72/62	112/106/62	-140/136/70
	[in]	4,7/2,8/2,4	4,4/4,2/2,4	-5,5/5,4/2,8
Straight tube l.	[mm]	14	14	75
	[in]	0,5	0,5	3



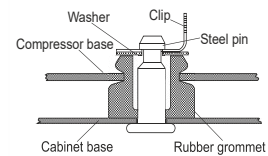
Compressor fixation



Bolt joint



Snap-on



Mounting accessories

'4ZN' with rubber grommet	order code	772N
'4ZN' with rubber grommet and sleeve for M6		768N
Bolt joint kit		4ZN + 118-1917 (18)
'4ZN' with Snap on kit		776N

Application notes

- Provision for PE Grounding is located at the PE Stamp on the compressor Housing with dip-tray fixture (omega bracket).
- Various options of connectors are possible - please contact SECOP-Sales.

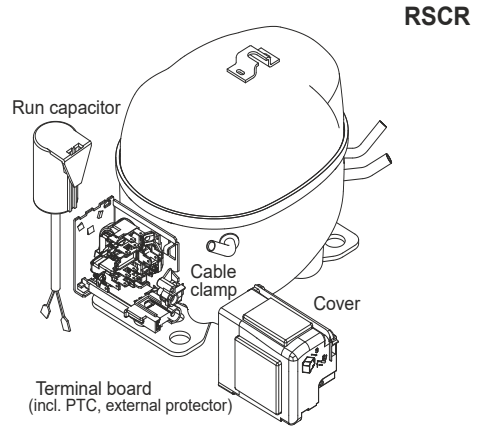
Model

Designation	HXK80AT	200-240V/50Hz	Conf. 1	Sales code:	16408600
-------------	----------------	----------------------	---------	-------------	-----------------

Configuration

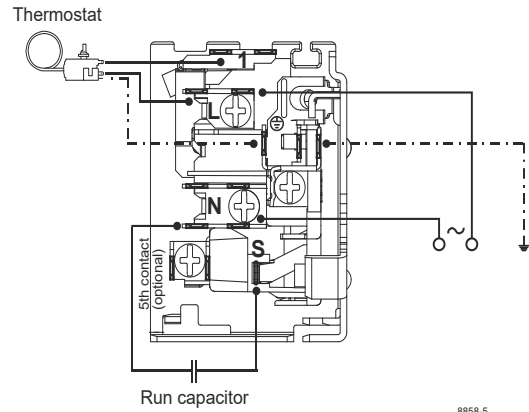
Motorconfiguration	RSCR
Power supply (nominal)	200-240V/50Hz 1~
Refrigerant	R600a
Application	LBP
Voltage range	170-264V
Starting torque	LST
Approvals	VDE

Electrical accessories / wiring diagram

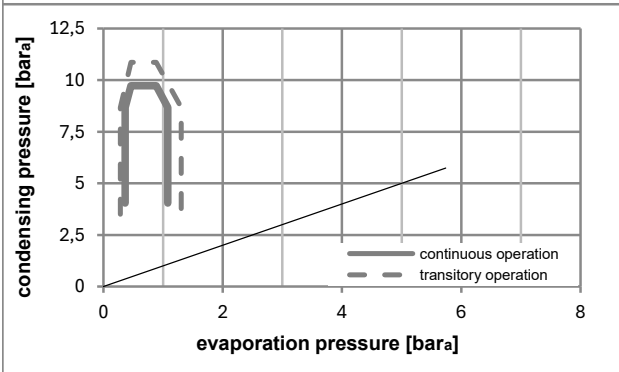
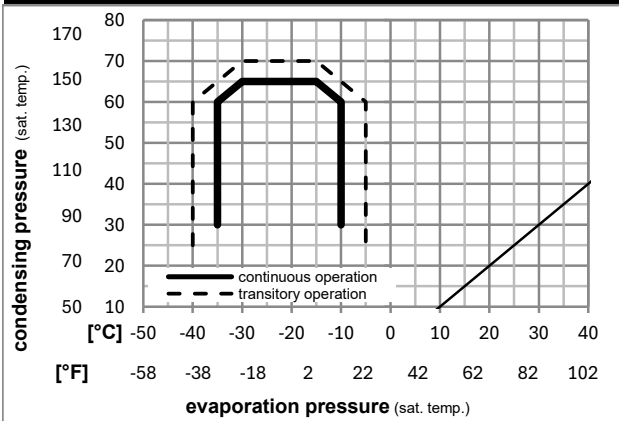


Ambient/ machine room temperatures minimum /maximum

Ambient temperature range:	10 - 43°C / 50 - 110°F
Machine room temperature range:	10 - 48°C / 50 - 119°F
Compressor cooling:	static



Operation pressure range



Components

. terminal board (PTC, 6.3mm)	16403700
. run capacitor (4μF, 6.3mm)	15186801
b cover terminal board	10636401
. cable clamp	11341000
. screw - uni6954	10636000
. screw - uni6954	10636200

Alternative components

. screw uni en iso 4757	10641201
-------------------------	----------

Model

Designation	HXK80AT	200-240V/50Hz	Conf. 1	Sales code:	16408600
-------------	----------------	----------------------	---------	-------------	-----------------

Optimization + standard conditions

R600a, 200V/50Hz, RSCR, static, VDE

		Evaporating pressure (saturation temperature)				Condensing pressure (saturation temperature)			Return gas temp.		Liquid temp.		Cooling capacity			COP	EER	Power consumption		Current consumption		Ref. mass flow	
		pe	pc	RGT	Tliq	[W]	[Btu/h]	[kcal/h]	[W/W]	[Btu/Wh]	[kcal/Wh]	[W]	[A]	[kg/h]			P1	I	m				
[°C]	[°F]	[°C]	[°F]	[°C]	[°F]																		
[°C]	-23	54	32	32	139,8	477	120,3	1,75	5,97	1,51	79,9	0,38	1,50	ASHRAE LBP									
[°F]	-10	130	90	90																			
[°C]	-25	55	32	55	104,9	358	90,3	1,37	4,66	1,17	76,8	0,37	1,37	cecomaf LBP									
[°F]	-13	131	90	131																			
[°C]	-35	40	20	40	79,8	273	68,7	1,42	4,84	1,22	56,3	0,29	0,97	EN12900 LBP									
[°F]	-31	104	68	104																			
[°C]	-23	49	4,4	49	113,7	388	97,9	1,46	4,99	1,26	77,9	0,37	1,66	ARI540 LBP									
[°F]	-10	120	40	120																			
[°C]	-23	41	32	32	148,8	508	128,1	2,00	6,83	1,72	74,4	0,36	1,60	AHAM LBP									
[°F]	-10	105	90	90																			
[°C]	-35	45	32	45	77,1	263	66,3	1,35	4,60	1,16	57,1	0,29	0,92	opt									
[°F]	-31	113	90	113																			

Performance tables

R600a, 200V/50Hz, RSCR, static, VDE

	pe		Cooling capacity			COP	EER	P1	I	m	
	[°C]	[°F]	[W]	[Btu/h]	[kcal/h]	[W/W]	[Btu/Wh]	[kcal/Wh]	[W]	[A]	[kg/h]
[°C / °F]	-35	-31	77,1	263	66,3	1,35	4,60	1,16	57,1	0,29	0,92
cond. pressure	-30	-22	96,2	329	82,8	1,46	5,00	1,26	65,8	0,32	1,14
pc= 45/113	-25	-13	121,8	416	104,8	1,65	5,65	1,42	73,7	0,35	1,45
return gas temp.	-23	-10	132,1	451	113,6	1,73	5,91	1,49	76,3	0,37	1,57
RGT= 32/90	-20	-4	154,3	527	132,8	1,90	6,48	1,63	81,4	0,39	1,84
liquid temp	-15	5	194,3	664	167,3	2,17	7,42	1,87	89,5	0,44	2,32
Tliq= 45/113	-10	14	242,4	828	208,6	2,46	8,40	2,12	98,5	0,48	2,90
[°C / °F]	-35	-31	56,5	193	48,6	1,01	3,46	0,87	55,8	0,27	0,73
cond. pressure	-30	-22	78,8	269	67,8	1,18	4,03	1,02	66,8	0,32	1,03
pc= 55/131	-25	-13	104,9	358	90,3	1,37	4,66	1,17	76,8	0,37	1,37
return gas temp	-23	-10	114,7	392	98,7	1,43	4,89	1,23	80,2	0,39	1,50
RGT= 32/90	-20	-4	135,3	462	116,5	1,56	5,34	1,35	86,6	0,42	1,77
liquid temp	-15	5	170,7	583	146,9	1,77	6,04	1,52	96,5	0,47	2,23
Tliq= 55/131	-10	14	211,4	722	182,0	1,97	6,73	1,70	107,2	0,52	2,78

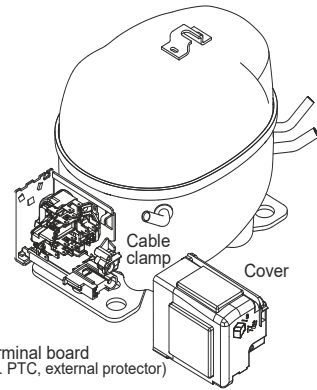
Model

Designation	HXK80AT	200-240V/50Hz	Conf. 2	Sales code:	16408600
-------------	----------------	----------------------	----------------	-------------	-----------------

Configuration

Motorconfiguration	RSIR
Power supply (nominal)	200-240V/50Hz 1~
Refrigerant	R600a
Application	LBP
Voltage range	170-264V
Starting torque	LST
Approvals	VDE

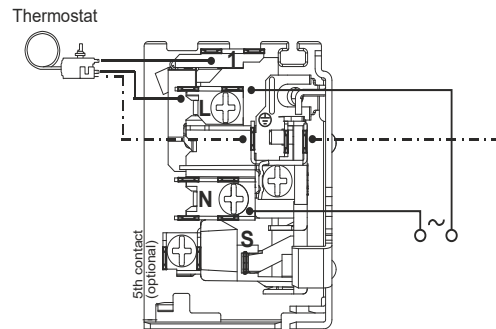
Electrical accessories / wiring diagram



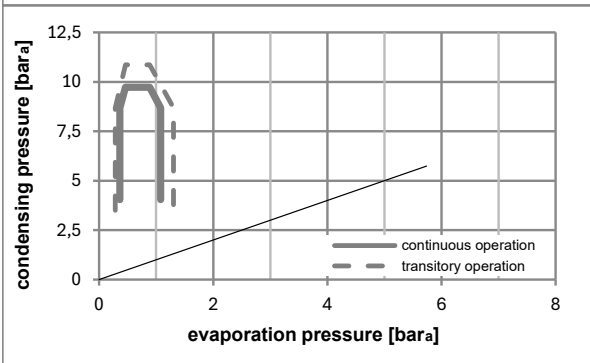
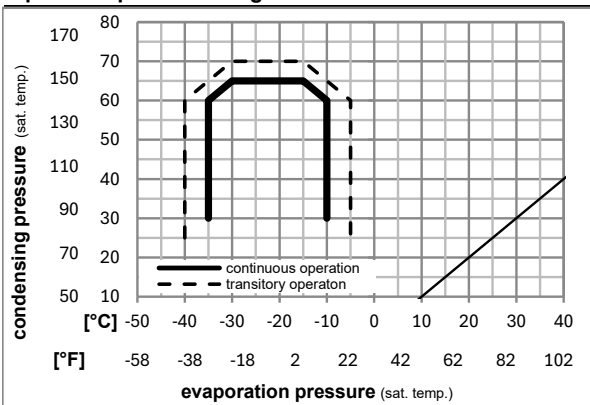
RSIR

Ambient/ machine room temperatures minimum /maximum

Ambient temperature range:	10 - 43°C / 50 - 110°F
Machine room temperature range:	10 - 48°C / 50 - 119°F
Compressor cooling:	static



Operation pressure range



Components

. terminal board (PTC, 6.3mm)	16403700
b cover terminal board	10636401
. cable clamp	11341000
. screw - uni6954	10636000
. screw - uni6954	10636200
. screw uni en iso 4757	10641201

8858-6

Model

Designation	HXK80AT	200-240V/50Hz	Conf. 2	Sales code:	16408600
-------------	----------------	----------------------	----------------	-------------	-----------------

Optimization + standard conditions

R600a, 200V/50Hz, RSIR, static, VDE

		Evaporating pressure (saturation temperature)				Condensing pressure (saturation temperature)						Power consumption			
		Return gas temp.		Liquid temp.		Cooling capacity		COP	EER		P1	I	Ref. mass flow		
		pe	pc	RGT	Tliq	[W]	[Btu/h]	[kcal/h]	[W/W]	[Btu/Wh]	[kcal/Wh]	[W]	[A]	[kg/h]	
[°C]	[°F]	[°C]	[°F]	[°C]	[°C]										
-23	-10	54	130	32	32	139,8	477	120,3	1,67	5,70	1,44	83,8	0,40	1,50	ASHRAE LBP
-25	-13	55	131	32	55	104,9	358	90,3	1,31	4,47	1,13	80,2	0,38	1,37	cecomaf LBP
-35	-31	40	104	20	40	79,8	273	68,7	1,39	4,75	1,20	57,4	0,29	0,97	EN12900 LBP
-23	-10	49	120	4,4	49	113,7	388	97,9	1,40	4,77	1,20	81,4	0,39	1,66	ARI540 LBP
-23	-10	41	105	32	32	148,8	508	128,1	1,93	6,58	1,66	77,3	0,37	1,60	AHAM LBP
-35	-31	45	113	32	45	77,1	263	66,3	1,32	4,50	1,13	58,5	0,29	0,92	opt

Performance tables

R600a, 200V/50Hz, RSIR, static, VDE

	pe		Cooling capacity			COP	EER		P1	I	m
	[°C]	[°F]	[W]	[Btu/h]	[kcal/h]	[W/W]	[Btu/Wh]	[kcal/Wh]	[W]	[A]	[kg/h]
[°C / °F]	-35	-31	77,1	263	66,3	1,32	4,50	1,13	58,5	0,29	0,92
cond. pressure	-30	-22	96,2	329	82,8	1,42	4,85	1,22	67,8	0,33	1,14
pc= 45/113	-25	-13	121,8	416	104,8	1,59	5,44	1,37	76,5	0,37	1,45
return gas temp.	-23	-10	132,1	451	113,6	1,66	5,67	1,43	79,5	0,38	1,57
RGT= 32/90	-20	-4	154,3	527	132,8	1,81	6,17	1,55	85,4	0,41	1,84
liquid temp	-15	5	194,3	664	167,3	2,04	6,98	1,76	95,1	0,46	2,32
Tliq= 45/113	-10	14	242,4	828	208,6	2,28	7,79	1,96	106,3	0,51	2,90
[°C / °F]	-35	-31	56,5	193	48,6	0,99	3,39	0,85	56,9	0,27	0,73
cond. pressure	-30	-22	78,8	269	67,8	1,14	3,91	0,98	68,9	0,33	1,03
pc= 55/131	-25	-13	104,9	358	90,3	1,31	4,47	1,13	80,2	0,38	1,37
return gas temp	-23	-10	114,7	392	98,7	1,37	4,66	1,17	84,0	0,40	1,50
RGT= 32/90	-20	-4	135,3	462	116,5	1,48	5,04	1,27	91,6	0,44	1,77
liquid temp	-15	5	170,7	583	146,9	1,64	5,62	1,42	103,8	0,50	2,23
Tliq= 55/131	-10	14	211,4	722	182,0	1,80	6,16	1,55	117,3	0,56	2,78

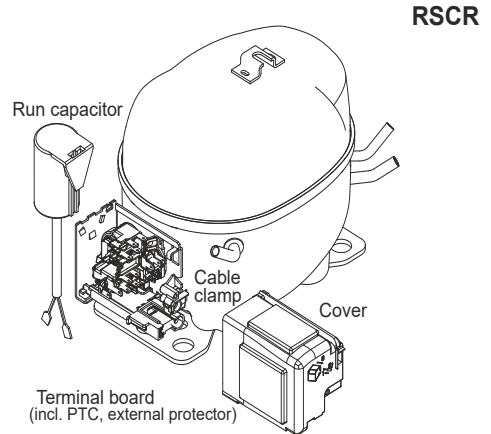
Model

Designation	HXK80AT	220-240V/50Hz	Conf. 3	Sales code:	16408600
-------------	----------------	----------------------	----------------	-------------	-----------------

Configuration

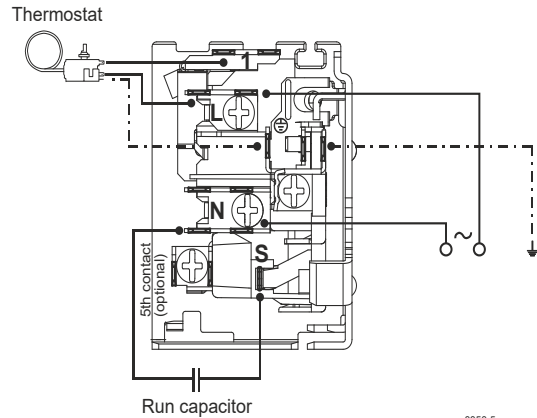
Motorconfiguration	RSCR
Power supply (nominal)	220-240V/50Hz 1~
Refrigerant	R600a
Application	LBP
Voltage range	170-264V
Starting torque	LST
Approvals	VDE

Electrical accessories / wiring diagram

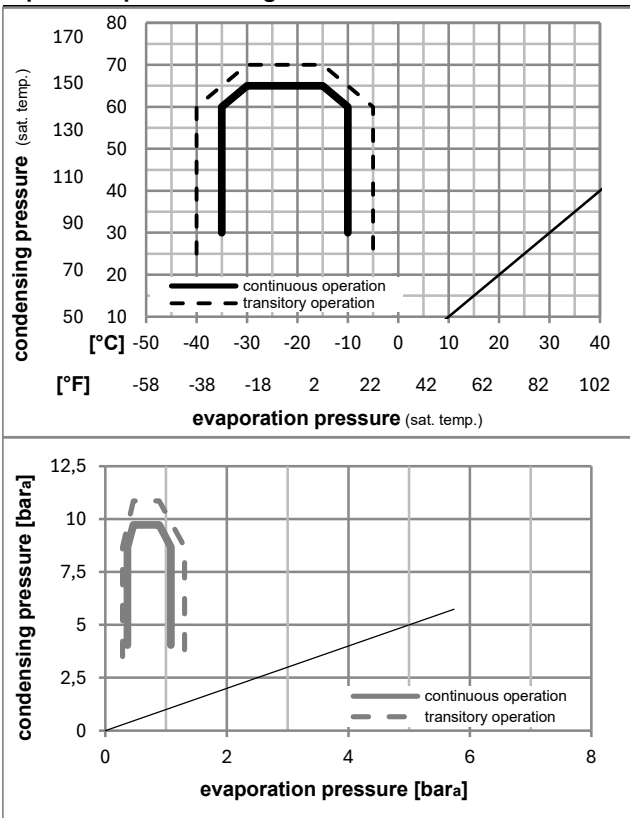


Ambient/ machine room temperatures minimum /maximum

Ambient temperature range:	10 - 43°C / 50 - 110°F
Machine room temperature range:	10 - 48°C / 50 - 119°F
Compressor cooling:	static



Operation pressure range



Components

. terminal board (PTC, 6.3mm)	16403700
. run capacitor (4μF, 6.3mm)	15186801
b cover terminal board	10636401
. cable clamp	11341000
. screw - uni6954	10636000
. screw - uni6954	10636200

Alternative components

. screw uni en iso 4757	10641201
-------------------------	----------

Model

Designation	HXK80AT	220-240V/50Hz	Conf. 3	Sales code:	16408600
-------------	----------------	----------------------	----------------	-------------	-----------------

Optimization + standard conditions

R600a, 230V/50Hz, RSCR, static, VDE

	Evaporating pressure (saturation temperature)				Cooling capacity			COP	EER	P1	Power consumption		Ref. mass flow	
	pe	pc	RGT	Tliq	[W]	[Btu/h]	[kcal/h]				[A]	[kg/h]		
[°C]	-23	54	32	32	140,4	479	120,8	1,69	5,79	1,46	82,8	0,40	1,51	ASHRAE LBP
[°F]	-10	130	90	90										
[°C]	-25	55	32	55	105,3	360	90,7	1,32	4,52	1,14	79,6	0,38	1,37	cecomaf LBP
[°F]	-13	131	90	131										
[°C]	-35	40	20	40	80,2	274	69,0	1,37	4,69	1,18	58,3	0,30	0,98	EN12900 LBP
[°F]	-31	104	68	104										
[°C]	-23	49	4,4	49	114,2	390	98,3	1,41	4,83	1,22	80,7	0,39	1,67	ARI540 LBP
[°F]	-10	120	40	120										
[°C]	-23	41	32	32	149,4	510	128,6	1,94	6,62	1,67	77,0	0,37	1,60	AHAM LBP
[°F]	-10	105	90	90										
[°C]	-35	45	32	45	77,4	264	66,6	1,31	4,46	1,12	59,2	0,30	0,92	opt
[°F]	-31	113	90	113										

Performance tables

R600a, 230V/50Hz, RSCR, static, VDE

	pe		Cooling capacity			COP	EER		P1	I	m
	[°C]	[°F]	[W]	[Btu/h]	[kcal/h]		[Btu/Wh]	[kcal/Wh]			
[°C / °F]	-35	-31	77,4	264	66,6	1,31	4,46	1,12	59,2	0,30	0,92
cond. pressure	-30	-22	96,6	330	83,2	1,42	4,84	1,22	68,2	0,33	1,15
pc= 45/113	-25	-13	122,3	418	105,3	1,60	5,47	1,38	76,3	0,37	1,46
return gas temp.	-23	-10	132,6	453	114,1	1,68	5,73	1,44	79,0	0,38	1,58
RGT= 32/90	-20	-4	155,0	529	133,4	1,84	6,28	1,58	84,3	0,41	1,85
liquid temp	-15	5	195,1	666	167,9	2,10	7,19	1,81	92,7	0,45	2,33
Tliq= 45/113	-10	14	243,4	831	209,5	2,38	8,15	2,05	102,1	0,49	2,91
[°C / °F]	-35	-31	56,7	194	48,8	0,98	3,35	0,84	57,8	0,28	0,74
cond. pressure	-30	-22	79,1	270	68,1	1,14	3,91	0,98	69,2	0,33	1,03
pc= 55/131	-25	-13	105,3	360	90,7	1,32	4,52	1,14	79,6	0,38	1,37
return gas temp	-23	-10	115,2	393	99,1	1,39	4,74	1,19	83,1	0,40	1,50
RGT= 32/90	-20	-4	135,9	464	117,0	1,51	5,17	1,30	89,7	0,43	1,78
liquid temp	-15	5	171,4	585	147,5	1,71	5,85	1,47	100,0	0,49	2,24
Tliq= 55/131	-10	14	212,3	725	182,7	1,91	6,53	1,64	111,1	0,53	2,79

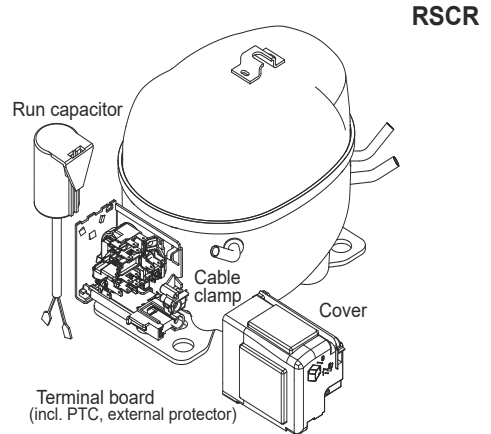
Model

Designation **HXK80AT** **208-230V/60Hz** Conf. 4 Sales code: **16408600**

Configuration

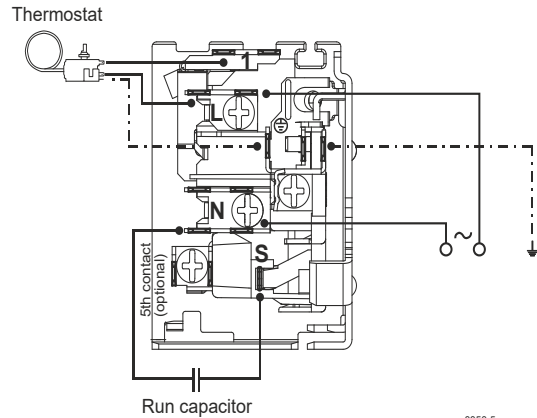
Motorconfiguration RSCR
 Power supply (nominal) 208-230V/60Hz 1~
 Refrigerant R600a
 Application LBP
 Voltage range 198-253V
 Starting torque LST
 Approvals VDE

Electrical accessories / wiring diagram

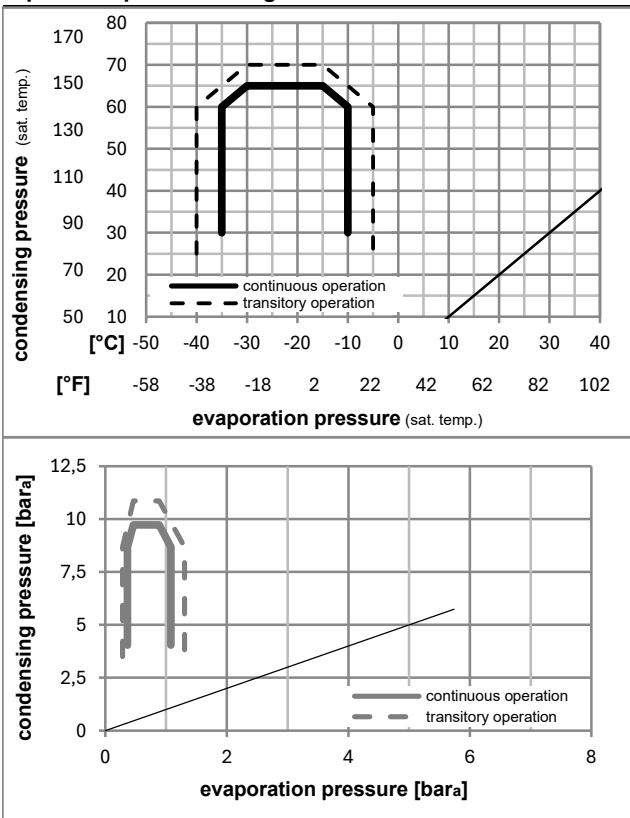


Ambient/ machine room temperatures minimum /maximum

Ambient temperature range: 10 - 43°C / 50 - 110°F
 Machine room temperature range: 10 - 48°C / 50 - 119°F
 Compressor cooling: static



Operation pressure range



Components

- . terminal board (PTC, 6.3mm) 16403700
- . run capacitor (4μF, 6.3mm) 15186801
- b cover terminal board 10636401
- . cable clamp 11341000
- . screw - uni6954 10636000
- . screw - uni6954 10636200

Alternative components

- . screw uni en iso 4757 10641201

Model

Designation	HXK80AT	208-230V/60Hz	Conf. 4	Sales code:	16408600
-------------	----------------	----------------------	----------------	-------------	-----------------

Optimization + standard conditions

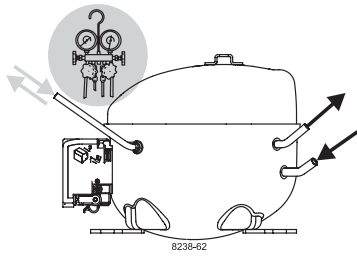
R600a, 220V/60Hz, RSCR, static, VDE

	Evaporating pressure (saturation temperature)				Condensing pressure (saturation temperature)			Return gas temp.	Liquid temp.	Cooling capacity			COP	EER	Power consumption			Ref. mass flow
	pe	pc	RGT	Tliq	[W]	[Btu/h]	[kcal/h]			P1	I	m						
[°C]	-23	54	32	32	167,7	573	144,4	1,77	6,04	1,52	94,8	0,46	1,80	ASHRAE LBP				
[°F]	-10	130	90	90														
[°C]	-25	55	32	55	125,9	430	108,4	1,39	4,75	1,20	90,6	0,44	1,64	cecomaf LBP				
[°F]	-13	131	90	131														
[°C]	-35	40	20	40	94,7	323	81,5	1,44	4,93	1,24	65,6	0,33	1,15	EN12900 LBP				
[°F]	-31	104	68	104														
[°C]	-23	49	4,4	49	136,0	465	117,1	1,46	5,00	1,26	92,9	0,45	1,99	ARI540 LBP				
[°F]	-10	120	40	120														
[°C]	-23	41	32	32	176,6	603	152,0	1,99	6,80	1,71	88,7	0,43	1,90	AHAM LBP				
[°F]	-10	105	90	90														
[°C]	-35	45	32	45	92,1	315	79,3	1,39	4,74	1,19	66,4	0,33	1,09	opt				
[°F]	-31	113	90	113														

Performance tables

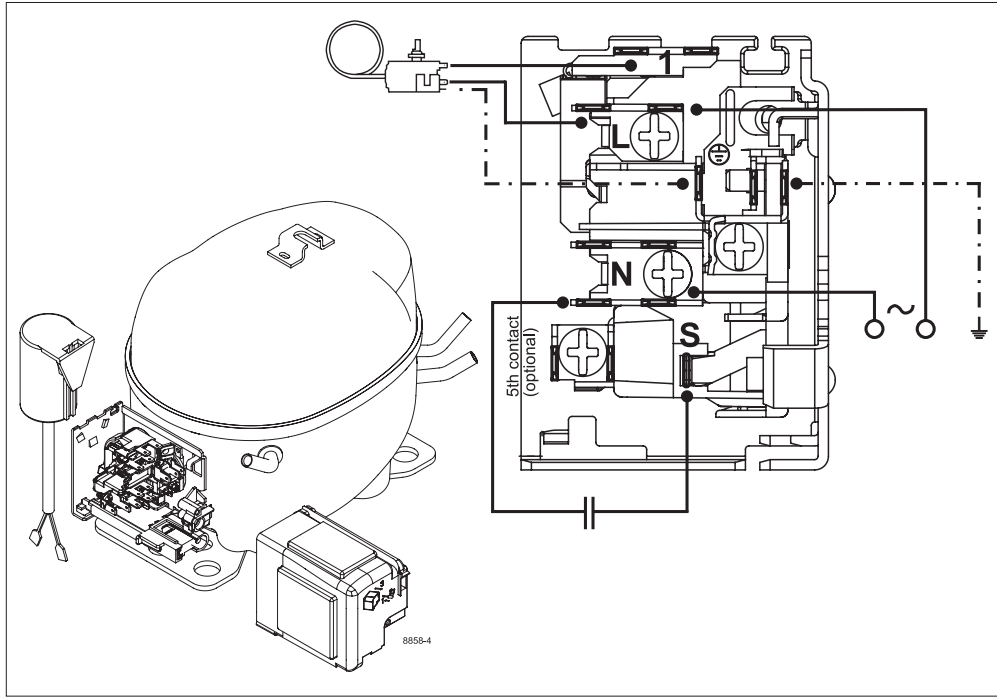
R600a, 220V/60Hz, RSCR, static, VDE

	pe		Cooling capacity			COP	EER		P1	I	m
	[°C]	[°F]	[W]	[Btu/h]	[kcal/h]		[Btu/Wh]	[kcal/Wh]			
[°C / °F]	-35	-31	92,1	315	79,3	1,39	4,74	1,19	66,4	0,33	1,09
cond. pressure	-30	-22	114,7	392	98,7	1,49	5,08	1,28	77,1	0,37	1,36
pc= 45/113	-25	-13	145,0	495	124,8	1,66	5,66	1,43	87,5	0,42	1,73
return gas temp.	-23	-10	157,2	537	135,3	1,73	5,89	1,48	91,1	0,44	1,87
RGT= 32/90	-20	-4	183,7	627	158,1	1,87	6,39	1,61	98,2	0,48	2,19
liquid temp	-15	5	231,4	790	199,1	2,11	7,19	1,81	109,8	0,53	2,76
Tliq= 45/113	-10	14	288,8	986	248,5	2,35	8,02	2,02	123,0	0,59	3,46
[°C / °F]	-35	-31	68,6	234	59,0	1,06	3,61	0,91	64,9	0,31	0,89
cond. pressure	-30	-22	94,9	324	81,7	1,22	4,17	1,05	77,8	0,37	1,24
pc= 55/131	-25	-13	125,9	430	108,4	1,39	4,75	1,20	90,6	0,44	1,64
return gas temp	-23	-10	137,6	470	118,5	1,45	4,95	1,25	95,1	0,46	1,80
RGT= 32/90	-20	-4	162,2	554	139,6	1,56	5,33	1,34	103,9	0,51	2,12
liquid temp	-15	5	204,5	698	176,0	1,73	5,90	1,49	118,4	0,58	2,68
Tliq= 55/131	-10	14	253,4	865	218,1	1,88	6,43	1,62	134,6	0,65	3,33



K-Series Compressors

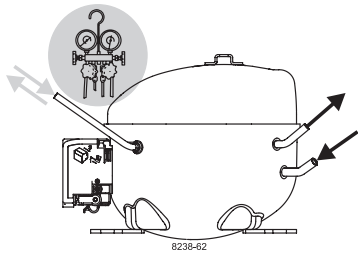
GTK, HKK, HMK, HTK, HXK, HZK



Service/Repair – R600a

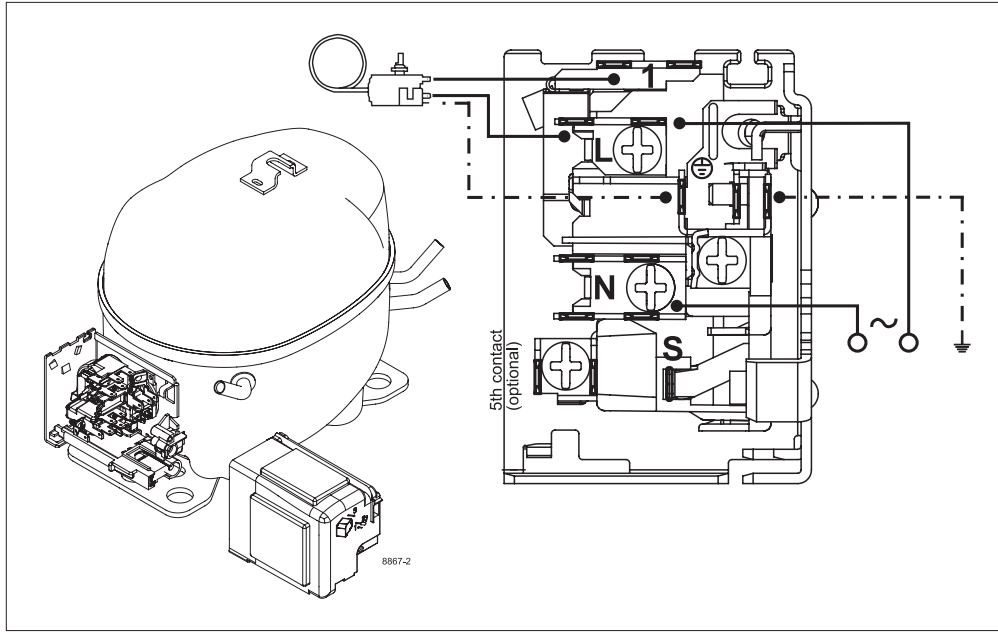
R600a

8545-2



K-Series Compressors

GTK, HKK, HMK, HTK, HXK, HZK



Service/Repair – R600a

Secop accepts no responsibility for possible errors in catalogs, brochures, and other printed material. Secop reserves the right to alter its products without notice. This also applies to products already on order provided that such alterations can be made without subsequential changes being necessary to specifications already agreed. All trademarks in this material are the property of the respective companies. Secop and the Secop logotype are trademarks of Secop GmbH. All rights reserved. www.secop.com