

Single Pack GS21CLX 208-230V 60Hz CSCR

Single pack code number: **195B4632**

| Position | Title | Code | Amount |
|----------|--|----------|--------|
| 1 | Compressor GS21CLX | 107B0506 | 1 |
| 2 | GS starting device (600mm) | 117-7073 | 1 |
| 3 | Bolt joint for one compressor M8 ø19mm | 107B9150 | 1 |

Secop GmbH • Lise-Meitner-Straße 29 • 24941 Flensburg, Germany • Tel: +49 461 4941 0 • www.secop.com

Secop accepts no responsibility for possible errors in catalogs, brochures, and other printed material. Secop reserves the right to alter its products without notice. This also applies to products already on order provided that such alterations can be made without subsequent changes being necessary to specifications already agreed. All trademarks in this material are the property of the respective companies. Secop and the Secop logotype are trademarks of Secop GmbH. All rights reserved.

GS21CLX LBP Compressor R404A/R507 208-230V 60Hz

General

| | |
|-----------------------|----------|
| Code number | 107B0506 |
| Approvals | UL984 |
| Compressors on pallet | 48 |

Application

| Application | LBP | | | |
|--|-----|----|------------|--|
| Frequency | Hz | 50 | 60 | |
| Evaporating temperature | °C | - | -40 to -10 | |
| Voltage range | V | - | 187 - 254 | |
| Max. condensing temperature continuous (short) | °C | - | 50 (60) | |
| Max. winding temperature continuous (short) | °C | - | 125 (135) | |

Cooling requirements

| Frequency | Hz | 50 | | | 60 | | |
|-------------------------|----|-----|-----|-----|----------------|-----|-----|
| Application | | LBP | MBP | HBP | LBP | MBP | HBP |
| 32°C | | - | - | - | F ₂ | - | - |
| 38°C | | - | - | - | F ₂ | - | - |
| 43°C | | - | - | - | F ₂ | - | - |
| Remarks on application: | | | | | | | |

Motor

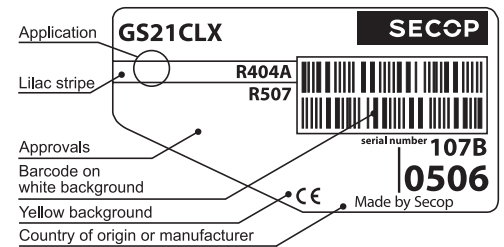
| Motor type | CSR | | |
|---|-----|------|-----|
| LRA (rated after 4 sec. UL984), HST LST | A | 27.2 | - |
| Cut in Current, HST LST | A | 27.2 | - |
| Resistance, main start winding (25°C) | Ω | 2.6 | 5.0 |

Design

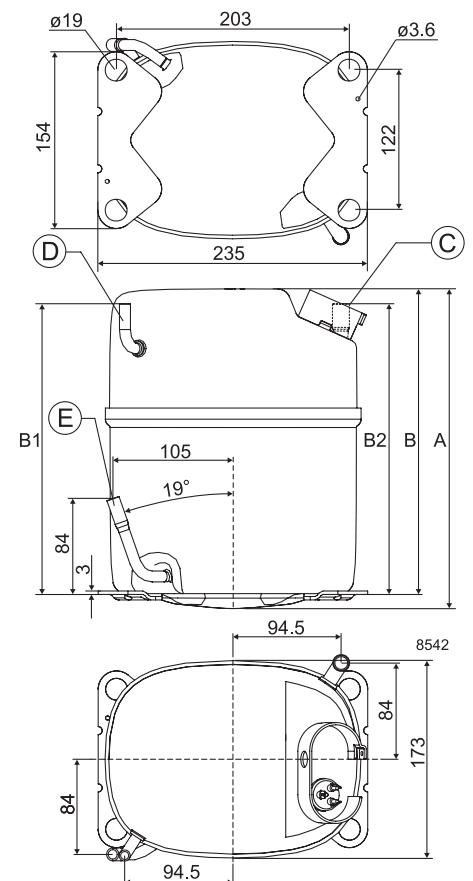
| | | |
|-------------------------------------|-----------------|-------------------|
| Displacement | cm ³ | 21.20 |
| Oil quantity (type) | cm ³ | 900 (polyolester) |
| Maximum refrigerant charge | g | 2000 |
| Free gas volume in compressor | cm ³ | 3220 |
| Weight without electrical equipment | kg | 20.0 |

Dimensions

| | | | |
|----------------------|--------------------------|----|---------------------------------|
| Height | mm | A | 279 |
| | | B | 247 |
| | | B1 | 234 |
| | | B2 | 234 |
| Suction connector | location/I.D. mm angle | C | 12.9 90° |
| | material comment | | Copper Rubber plug |
| Process connector | location/I.D. mm angle | D | 6.5 90° |
| | material comment | | Copper Rubber plug |
| Discharge connector | location/I.D. mm angle | E | 8.2 19° |
| | material comment | | Copper Rubber plug |
| Oil cooler connector | location/I.D. mm angle | F | - |
| | material comment | | - |
| Connector tolerance | I.D. mm | | 12.9±0.15, 8.2 ±0.05, 6.5 ±0.10 |
| Remarks: | | | |



- S = Static cooling normally sufficient
- O = Oil cooling
- F₁ = Fan cooling 1.5 m/s (compressor compartment temperature equal to ambient temperature)
- F₂ = Fan cooling 3.0 m/s necessary
- SG = Suction gas cooling normally sufficient
- = not applicable in this area



EN 12900

230V, 60Hz, fan cooling F₂

| | | | | | | | | | | | | | | | | | |
|--------------------|-----|------|------|------|------|-------|------|------|------|------|----|---|---|-----|----|----|----|
| Evap. temp. in °C | -45 | -40 | -35 | -30 | -25 | -23.3 | -20 | -15 | -10 | -6.7 | -5 | 0 | 5 | 7.2 | 10 | 15 | 20 |
| Capacity in W | | 475 | 674 | 905 | 1172 | 1270 | 1480 | 1837 | 2246 | | | | | | | | |
| Power cons. in W | | 559 | 668 | 770 | 868 | 900 | 966 | 1069 | 1180 | | | | | | | | |
| Current cons. in A | | 2.44 | 2.90 | 3.35 | 3.81 | 3.96 | 4.26 | 4.71 | 5.16 | | | | | | | | |
| COP in W/W | | 0.85 | 1.01 | 1.18 | 1.35 | 1.41 | 1.53 | 1.72 | 1.90 | | | | | | | | |

ARI 540-99 (LBP1)

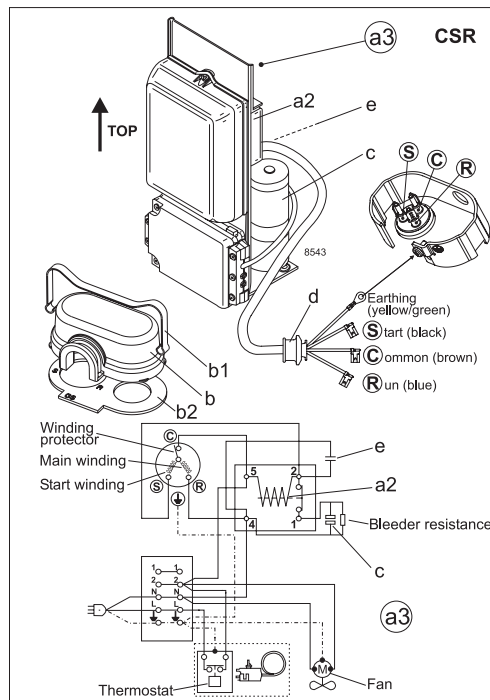
230V, 60Hz, fan cooling F₂

| | | | | | | | | | | | | | | | | | |
|--------------------|-----|------|------|------|------|-------|------|------|------|------|----|---|---|-----|----|----|----|
| Evap. temp. in °C | -45 | -40 | -35 | -30 | -25 | -23.3 | -20 | -15 | -10 | -6.7 | -5 | 0 | 5 | 7.2 | 10 | 15 | 20 |
| Capacity in W | | 322 | 492 | 682 | 898 | 976 | 1145 | 1428 | 1753 | | | | | | | | |
| Power cons. in W | | 508 | 643 | 768 | 887 | 926 | 1004 | 1123 | 1248 | | | | | | | | |
| Current cons. in A | | 2.29 | 2.82 | 3.35 | 3.87 | 4.05 | 4.40 | 4.92 | 5.44 | | | | | | | | |
| COP in W/W | | 0.63 | 0.76 | 0.89 | 1.01 | 1.05 | 1.14 | 1.27 | 1.41 | | | | | | | | |

ARI 540-99 (LBP2)

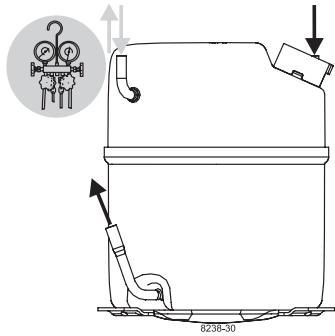
230V, 60Hz, fan cooling F₂

| | | | | | | | | | | | | | | | | | |
|--------------------|-----|------|------|------|------|-------|------|------|------|------|----|---|---|-----|----|----|----|
| Evap. temp. in °C | -45 | -40 | -35 | -30 | -25 | -23.3 | -20 | -15 | -10 | -6.7 | -5 | 0 | 5 | 7.2 | 10 | 15 | 20 |
| Capacity in W | | 445 | 634 | 853 | 1105 | 1198 | 1397 | 1735 | 2123 | | | | | | | | |
| Power cons. in W | | 556 | 667 | 770 | 870 | 902 | 969 | 1072 | 1184 | | | | | | | | |
| Current cons. in A | | 2.43 | 2.89 | 3.35 | 3.81 | 3.96 | 4.27 | 4.72 | 5.18 | | | | | | | | |
| COP in W/W | | 0.80 | 0.95 | 1.11 | 1.27 | 1.33 | 1.44 | 1.62 | 1.79 | | | | | | | | |

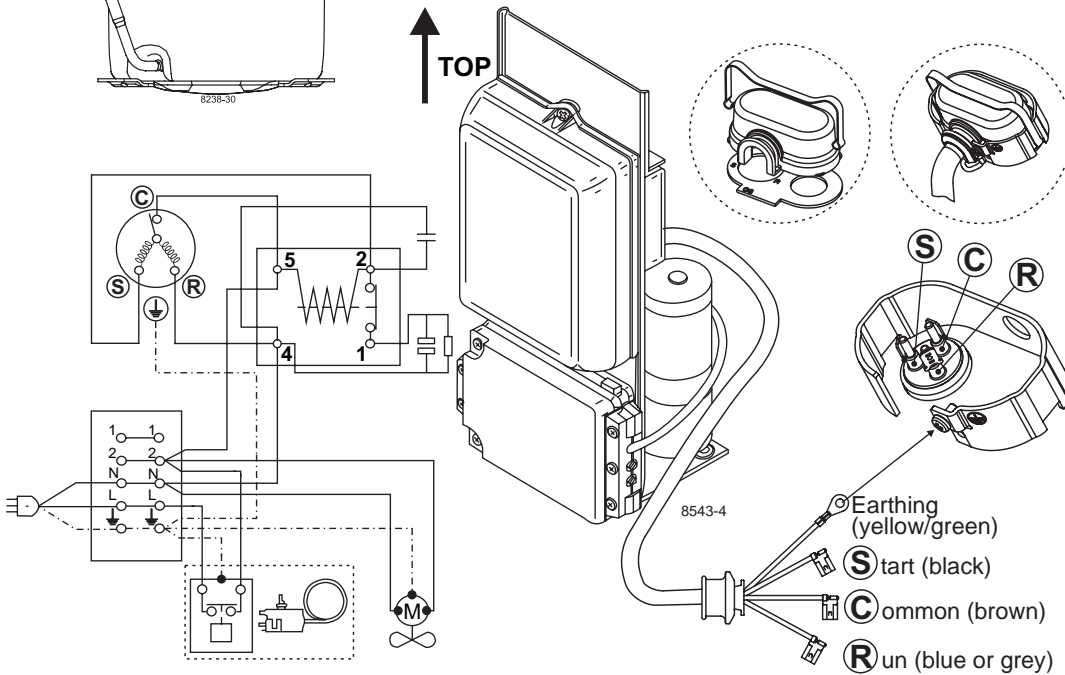


| Accessories for GS21CLX | Figure | Code number | Test conditions | EN 12900 | ARI 540-99 (LBP1) | ARI 540-99 (LBP2) | | | | | | | | |
|--|-------------|-------------------------------|---|---------------|-------------------|-------------------|----------------------|-------------|--------------------------|----------|--------------------------|---|-----------------------|---|
| Starting device 600 mm cable length | a3 | 117-7073 | Condensing temperature | 40°C | 48.9°C | 40.6°C | | | | | | | | |
| | | | Ambient temperature | 32°C | 35°C | 35°C | | | | | | | | |
| | | | Suction gas temperature | 20°C | 4.4°C | 4.4°C | | | | | | | | |
| | | | Liquid temperature | no subcooling | no subcooling | no subcooling | | | | | | | | |
| Cover | b | 107B9106 *) | <table border="1"> <thead> <tr> <th>Mounting accessories</th> <th>Code number</th> </tr> </thead> <tbody> <tr> <td>Bolt joint for one comp.</td> <td>107B9150</td> </tr> <tr> <td>Bolt joint in quantities</td> <td>-</td> </tr> <tr> <td>Snap-on in quantities</td> <td>-</td> </tr> </tbody> </table> | | | | Mounting accessories | Code number | Bolt joint for one comp. | 107B9150 | Bolt joint in quantities | - | Snap-on in quantities | - |
| Mounting accessories | Code number | | | | | | | | | | | | | |
| Bolt joint for one comp. | 107B9150 | | | | | | | | | | | | | |
| Bolt joint in quantities | - | | | | | | | | | | | | | |
| Snap-on in quantities | - | | | | | | | | | | | | | |
| Clamp | b1 | 107B9104 *) | | | | | | | | | | | | |
| Gasket | b2 | 107B9100 *) | | | | | | | | | | | | |
| Starting relay | a2 | Components of starting device | | | | | | | | | | | | |
| Start. capacitor | c | | | | | | | | | | | | | |
| Run capacitor | e | | | | | | | | | | | | | |
| *) Remarks: Cover, clamp, gasket parts of compressor | | | | | | | | | | | | | | |

Secop accepts no responsibility for possible errors in catalogs, brochures, and other printed material. Secop reserves the right to alter its products without notice. This also applies to products already on order provided that such alterations can be made without consequential changes being necessary to specifications already agreed. All trademarks in this material are the property of the respective companies. Secop and the Secop logotype are trademarks of Secop GmbH. All rights reserved. www.secop.com



GS Compressors



| | S | C | R |
|------------|---------|------------|--------------------|
| ENGLISH | Black | Brown | Blue or grey |
| DEUTSCH | Schwarz | Braun | Blau od. grau |
| FRANÇAIS | Noir | Marron | Bleu ou gris |
| ESPAÑOL | Negro | Marrón | Azul o gris |
| ITALIANO | Nero | Marrone | Blu o grigio |
| NEDERLANDS | Zwart | Bruin | Blauw of grijs |
| DANSK | Sort | Brun | Blå eller grå |
| SVENSKA | Svart | Brun | Blå eller grå |
| SUOMEKSI | Musta | Ruskea | Sininen tai harmaa |
| РУССКИЙ | Чёрный | Коричневый | Синий или серый |
| 中文 | 黑色 | 棕色 | 蓝色或灰色 |

Secop accepts no responsibility for possible errors in catalogs, brochures, and other printed material. Secop reserves the right to alter its products without notice. This also applies to products already on order provided that such alterations can be made without consequential changes being necessary to specifications already agreed. All trademarks in this material are the property of the respective companies. Secop and the Secop logotype are trademarks of Secop GmbH. All rights reserved. www.secop.com