

Single Pack NLE15KTK.2 220-240V 50Hz RSCR

Single pack code number: **195B4642**

| Position | Title | Code | Amount |
|----------|--|----------|--------|
| 1 | Compressor NLE15KTK.2 | 105H6966 | 1 |
| 2 | PTC starting device (220V, 250hm, 4.8mm) | 103N0021 | 1 |
| 3 | Run capacitor holder | 117-0300 | 1 |
| 4 | Screw for bracket M4x8mm | 117-0301 | 1 |
| 5 | Run capacitor (4μF 320V, 6.3mm) | 117-7117 | 1 |
| 6 | Cord relief | 103N1010 | 1 |
| 7 | Cover | 103N2010 | 1 |
| 8 | Protection screen for PTC | 103N0476 | 1 |
| 9 | Bolt joint for one compressor M6 ø16mm | 118-1917 | 1 |

NLE15KTK.2 Energy-optimized Tropical Compressor R600a 220-240V 50Hz

General

| | |
|-----------------------|---------------|
| Code number | 105H6966 |
| Approvals | EN 60335-2-34 |
| Compressors on pallet | 80 |

Application

| Application | LBP | | |
|--|-----|------------|----|
| Frequency | Hz | 50 | 60 |
| Evaporating temperature | °C | -35 to -10 | - |
| Voltage range | V | 187 - 254 | - |
| Max. condensing temperature continuous (short) | °C | 60 (70) | - |
| Max. winding temperature continuous (short) | °C | 125 (135) | - |

Cooling requirements

| Frequency | Hz | 50 | | | 60 | | |
|-------------|----|-----|-----|-----|-----|-----|-----|
| Application | | LBP | MBP | HBP | LBP | MBP | HBP |
| 32°C | | S | - | - | - | - | - |
| 38°C | | S | - | - | - | - | - |
| 43°C | | S | - | - | - | - | - |

Remarks on application:
Performance data established on 8.2 mm suction line. Restrictions due to 6.2 mm suction line can affect system performance.

Motor

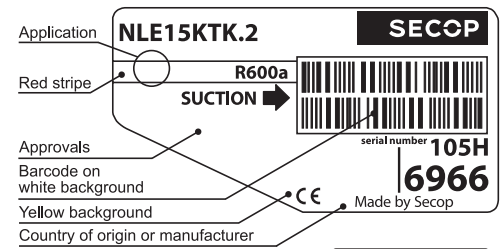
| Motor type | RSIR/RSCR | |
|---|-----------|------------|
| LRA (rated after 4 sec. UL984), HST LST | A | 8.4 |
| Cut in Current, HST LST | A | 13.1 |
| Resistance, main start winding (25°C) | Ω | 9.0 12.0 |

Design

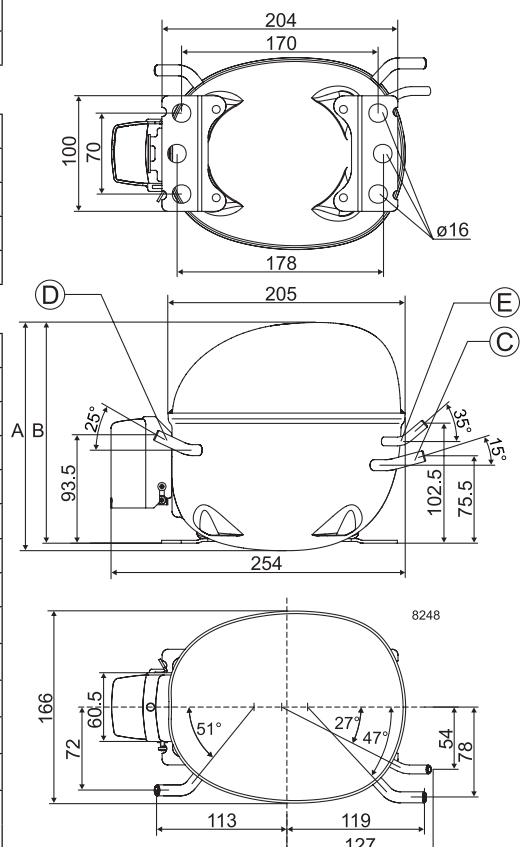
| | | |
|-------------------------------------|-----------------|---------------|
| Displacement | cm ³ | 14.65 |
| Oil quantity (type) | cm ³ | 300 (mineral) |
| Maximum refrigerant charge | g | 150 |
| Free gas volume in compressor | cm ³ | 2360 |
| Weight without electrical equipment | kg | 10.8 |

Dimensions

| | | | |
|----------------------|--------------------------|----|---------------------------|
| Height | mm | A | 203 |
| | | B | 197 |
| | | B1 | - |
| | | B2 | - |
| Suction connector | location/I.D. mm angle | C | 6.2 15° |
| | material comment | | Copper Rubber plug |
| Process connector | location/I.D. mm angle | D | 6.2 25° |
| | material comment | | Copper Rubber plug |
| Discharge connector | location/I.D. mm angle | E | 5.0 35° |
| | material comment | | Copper Rubber plug |
| Oil cooler connector | location/I.D. mm angle | F | - |
| | material comment | | - |
| Connector tolerance | I.D. mm | | ±0.09, on 5.0 +0.12/+0.20 |
| Remarks: | | | |



- S = Static cooling normally sufficient
- O = Oil cooling
- F₁ = Fan cooling 1.5 m/s (compressor compartment temperature equal to ambient temperature)
- F₂ = Fan cooling 3.0 m/s necessary
- SG = Suction gas cooling normally sufficient
- = not applicable in this area

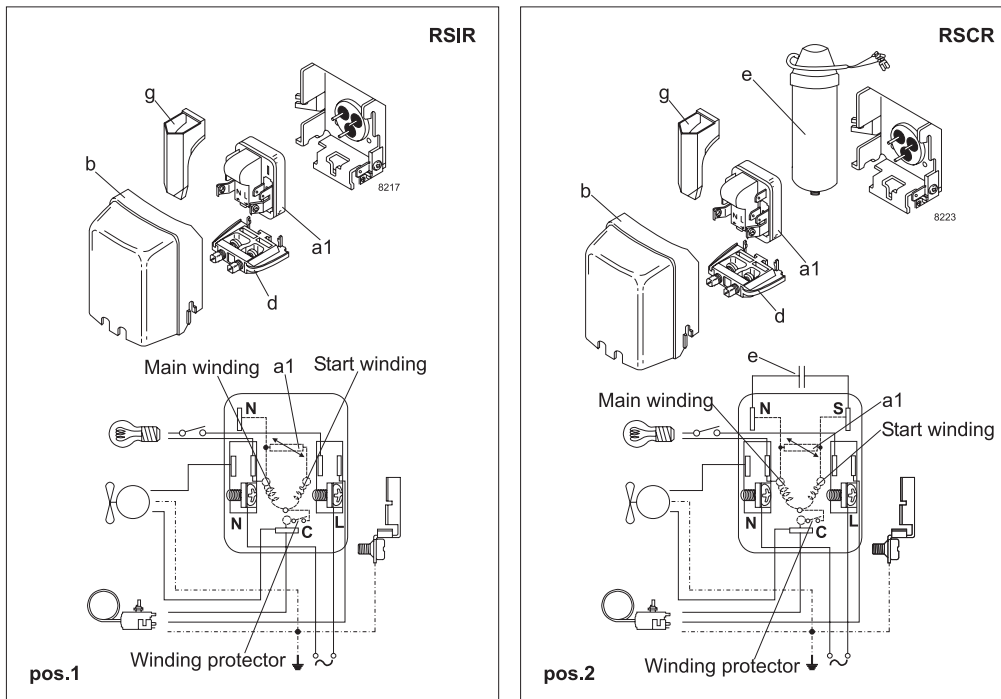


EN 12900 Household (CECOMAF) 220V, 50Hz, static cooling, PTC consumption incl.

| | | | | | | | | | | | | | | | | | |
|--------------------|-----|-----|------|------|------|-------|------|------|------|------|----|---|---|-----|----|----|----|
| Evap. temp in °C | -45 | -40 | -35 | -30 | -25 | -23.3 | -20 | -15 | -10 | -6.7 | -5 | 0 | 5 | 7.2 | 10 | 15 | 20 |
| Capacity in W | | | 106 | 144 | 190 | 208 | 246 | 314 | 395 | | | | | | | | |
| Power cons. in W | | | 114 | 138 | 160 | 167 | 182 | 205 | 230 | | | | | | | | |
| Current cons. in A | | | 1.03 | 1.12 | 1.23 | 1.26 | 1.33 | 1.44 | 1.55 | | | | | | | | |
| COP in W/W | | | 0.93 | 1.04 | 1.19 | 1.24 | 1.35 | 1.53 | 1.72 | | | | | | | | |

ASHRAE LBP 220V, 50Hz, static cooling, PTC consumption incl.

| | | | | | | | | | | | | | | | | | |
|--------------------|-----|-----|------|------|------|-------|------|------|------|------|----|---|---|-----|----|----|----|
| Evap. temp in °C | -45 | -40 | -35 | -30 | -25 | -23.3 | -20 | -15 | -10 | -6.7 | -5 | 0 | 5 | 7.2 | 10 | 15 | 20 |
| Capacity in W | | | 129 | 175 | 231 | 253 | 300 | 382 | 481 | | | | | | | | |
| Power cons. in W | | | 114 | 138 | 160 | 167 | 182 | 205 | 230 | | | | | | | | |
| Current cons. in A | | | 1.03 | 1.12 | 1.23 | 1.26 | 1.33 | 1.44 | 1.55 | | | | | | | | |
| COP in W/W | | | 1.13 | 1.27 | 1.44 | 1.51 | 1.65 | 1.87 | 2.09 | | | | | | | | |



| Accessories for | NLE15KTK.2 | Figure | Code number | Test conditions | EN 12900/ CECOMAF | ASHRAE |
|----------------------------------|-------------------------|---------------|-------------|-----------------------------|----------------------|----------|
| PTC starting device | 6.3 mm spade connectors | a1 (pos.1) | 103N0011 | Condensing temperature | 55°C | 54.4°C |
| | 4.8 mm spade connectors | | 103N0018 | Ambient temperature | 32°C | 32°C |
| PTC starting device | 6.3 mm spade connectors | a1 (pos.2) | 103N0016 | Suction gas temperature | 32°C | 32°C |
| | 4.8 mm spade connectors | | 103N0021 | Liquid temperature | no subcooling | 32°C |
| Cover | | b | 103N2010 | | | |
| Cord relief | | d | 103N1010 | | | |
| Run capacitor 4 µF (optional) | 6.3 mm spade connectors | e | 117-7117 | Mounting accessories | | |
| | 4.8 mm spade connectors | | 117-7119 | Code number | | |
| Protection screen for PTC | | g | 103N0476 | Bolt joint for one comp. | Ø: 16 mm | 118-1917 |
| | | | | Bolt joint in quantities | Ø: 16 mm | 118-1918 |
| | | | | Snap-on in quantities | Ø: 16 mm | 118-1919 |

Secop accepts no responsibility for possible errors in catalogs, brochures, and other printed material. Secop reserves the right to alter its products without notice. This also applies to products already on order provided that such alterations can be made without subsequential changes being necessary to specifications already agreed. All trademarks in this material are the property of the respective companies. Secop and the Secop logotype are trademarks of Secop GmbH. All rights reserved. www.secop.com



NL Compressors





Service/Repair – R600a, R290



8545

Brazing on Suction Connectors (Direct Intake)

representative image



**! max. 150°C/302°F !
at socket**
brazing solder: phosphor (LP7) or silver

Refer to Product Bulletin:
**Brazing on Suction Connectors
(Compressors with Direct Suction Intake)**

Secop accepts no responsibility for possible errors in catalogs, brochures, and other printed material. Secop reserves the right to alter its products without notice. This also applies to products already on order provided that such alterations can be made without subsequential changes being necessary to specifications already agreed. All trademarks in this material are the property of the respective companies. Secop and the Secop logotype are trademarks of Secop GmbH. All rights reserved. www.secop.com