

## Single Pack SC21/21CL 220-240V 50Hz CSCR

Single pack code number: **195B3301**

Position	Title	Code	Amount
1	Compressor SC21/21CL	104L4094	1
2	SC starting device (550mm)	117-7027	2
3	Cord relief	103N1004	2
4	Cover	103N2009	2
5	Bolt joint for one compressor   M6   ø16mm	118-1917	2
6	Seal ring for service valve and solder connector	118-3638	1
7	Service valve 16mm	118-7351	1

**Secop GmbH** • Lise-Meitner-Straße 29 • 24941 Flensburg, Germany • Tel: +49 461 4941 0 • [www.secop.com](http://www.secop.com)

Secop accepts no responsibility for possible errors in catalogs, brochures, and other printed material. Secop reserves the right to alter its products without notice. This also applies to products already on order provided that such alterations can be made without subsequent changes being necessary to specifications already agreed. All trademarks in this material are the property of the respective companies. Secop and the Secop logotype are trademarks of Secop GmbH. All rights reserved.

## Model

Designation	<b>SC21/21CL</b>	220-240V/50Hz 1~	Sales code:	<b>104L4094</b>
-------------	------------------	------------------	-------------	-----------------

## Compressor design

Oil type	Polyolester	Refrigerant(s)	<b>R404A, R452A, R507</b>
Oil viscosity	32,5cST	Displacement	41,9cm <sup>3</sup> / 2,56cu.in
Oil quantity	1218cm <sup>3</sup> / 41,2fl.oz	Compressors on pallet	18
Refr. charge - tech. limit	2200g / 77,6oz		
Free gas volume comp.	2920cm <sup>3</sup> / 98,7fl.oz		
Weight	29,1kg / 64,2lbs		
Motor protection	1# internal		
Winding resistance main	3,4Ω (at 25°C)		
Winding resistance aux	14,4Ω (at 25°C)		
Max. winding temp.	125°C / 257°F		
Max. discharge temp.	135°C / 275°F		



## General - Configurations with SC21/21CL

	<b>Conf. 1</b>
Motorconfiguration	CSCR
Power supply (nominal)	220-240V/50Hz
Number of phases	1
Voltage range	198-254V
Approvals	VDE, EAC
Starting torque	HST
Note	- / -

## Applications with SC21/21CL

	<b>Conf. 1</b>
Refrigerant	R404A
Application	LBP
System cooling	fan 3m/s
Hot gas defrost	OK
Long interval pull down	OK

## Electrical data - Configurations with SC21/21CL

	<b>Conf. 1</b>
Starting device type	relay
Run capacitor	10μF
Start capacitor	80μF
LRA (locked rotor amps / 4s)	2x 23,4A
RLA (rated load amps / 1s)	2x 4,3A
Cut in current	2x 23,4A

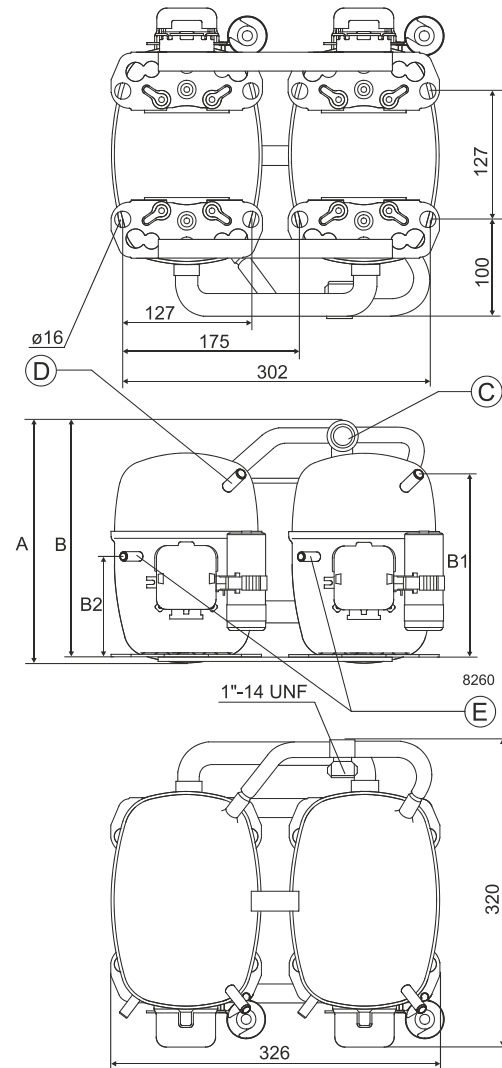
## Model

Designation	<b>SC21/21CL</b>	220-240V/50Hz 1~	Sales code:	<b>104L4094</b>
-------------	------------------	------------------	-------------	-----------------

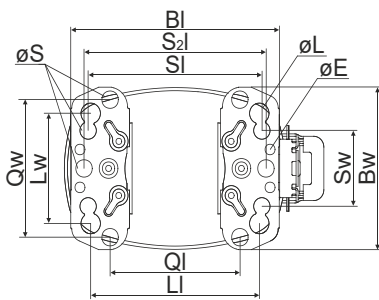
## Compressor dimensions

<b>Housing</b>	A Height	259mm / 10,2in
	B Height	254mm / 10in
	B1	193mm / 7,6in
	B2	110mm / 4,33in

Connectors		Suction	Discharge	Process
		C	E	D
Diameter	[mm]	øi 15,21-15,37	øi 6,11-6,29	øi 6,11-6,29
(i:inside, o:outside)	[in]	øi 0,6-0,61	øi 0,24-0,25	øi 0,24-0,25
Material		steel	copper	copper
Horizontal angle	±2°	0°	37°	37°
Vertical angle	±2°	0°	0°	0°
Position l/h/w	[mm]	0/0/0	0/0/0	0/0/0
	[in]	0/0/0	0/0/0	0/0/0
Straight tube l.	[mm]	10	12	12
	[in]	0,4	0,5	0,5



## Compressor fixation



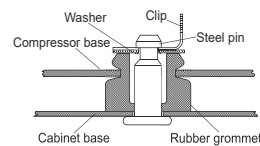
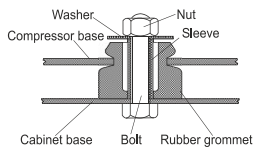
Baseplate	[mm]	[inch]
BI	204	8.03
Bw	150	5.9
øE	ø 9.7	ø 0.38
Large holes		
LI	165	6.5
Lw	101.6	4
øL	ø 19	ø 0.75
Small holes		
SI	170	6.7
Sw	70	2.76
øS	ø 16	ø 0.63
QI	127	5
Qw	127	5

## Mounting accessories

	one comp.	multi pack
Bolt joint   M6   ø16mm	118-1917	118-1918
Bolt joint   ø1/4"   ø16mm	118-1946	
Bolt joint   ø1/4"   ø19mm	118-1949	
Snap-on   ø7,3   ø16mm	118-1947	118-1919

### Bolt joint

### Snap-on



## Application notes

Provision for PE Grounding is located at the PE Stamp on the compressor

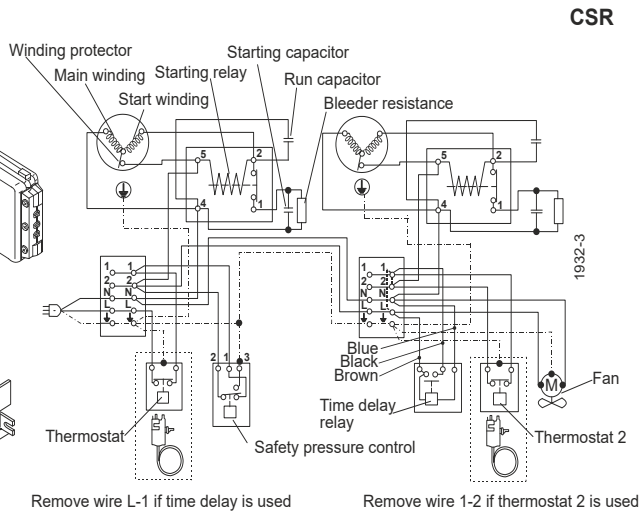
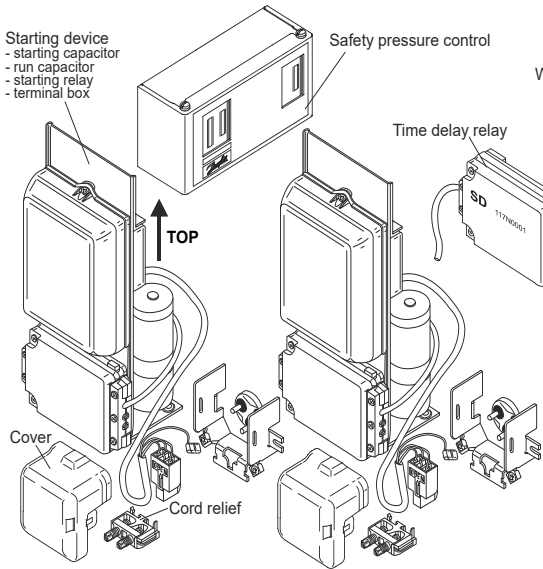
Twin should be used with a time-delay relay

<b>Model</b>			
Designation	<b>SC21/21CL</b>	<b>220-240V/50Hz</b>	<b>Conf. 1</b>
			Sales code: <b>104L4094</b>

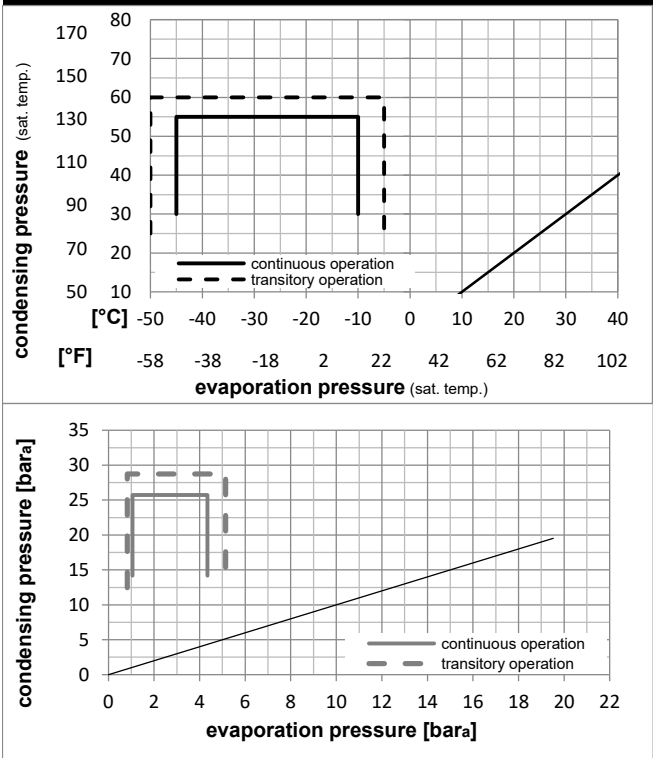
<b>Configuration</b>		<b>Ambient/ machine room temperatures minimum /maximum</b>
Motorconfiguration	CSCR	Ambient temperature range: 10 - 38°C / 50 - 101°F
Power supply (nominal)	220-240V/50Hz 1~	Machine room temperature range: 10 - 43°C / 50 - 110°F
Refrigerant	R404A	<b>Compressor cooling:</b> fan 3m/s
Application	LBP	
Voltage range	198-254V	
Starting torque	HST	
Approvals	VDE, EAC,	

**Operation Limits**

**Electrical accessories / wiring diagram**

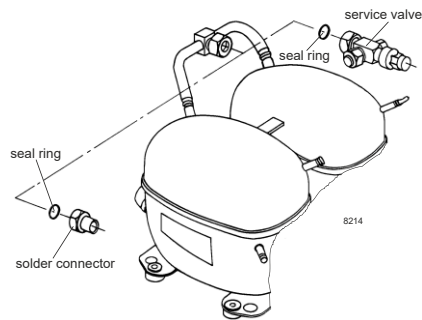


**Operation pressure range**



**Components**

- a3 SC starter kit (550mm) 117-7027
- b plastic cover 103N2009
- d cord relief 103N1004
- . Half Twin compressor 104L2326
- . Check valve (to be used with time-delay relay) 020-1014
- . Service valve 16mm 118-7351
- . Solder connector (alternative) 16 mm 118-7405
- . Seal ring for service valve and solder conn. 118-3638



## Model

Designation **SC21/21CL** **220-240V/50Hz** Conf. 1 Sales code: **104L4094**

## Optimization + standard conditions

R404A, 220V/50Hz, CSCR, fan 3m/s, VDE, EAC

	Evaporating pressure (saturation temperature)				Cooling capacity	COP	EER	Power consumption			Ref. mass flow			
	pe	pc	RGT	Tliq				P1	I	m				
	[°C]	[°F]	[°C]	[°F]	[W]	[Btu/h]	[kcal/h]	[W/W]	[Btu/Wh]	[kcal/Wh]	[W]	[A]	[kg/h]	
ASHRAE LBP	-23	54	32	32	1805,9	6167	1554,1	1,18	4,02	1,01	1534,7	8,03	42,08	
	-10	130	90	90										
cecomaf LBP	-25	55	32	55	1216,9	4156	1047,3	0,83	2,82	0,71	1471,7	7,72	38,03	
	-13	131	90	131										
EN12900 LBP	-35	40	20	40	1018,1	3477	876,2	0,98	3,34	0,84	1042,1	5,90	27,67	
	-31	104	68	104										
ARI540 LBP	-23	49	4,4	49	1371,1	4683	1180,0	0,91	3,12	0,79	1499,3	7,83	48,54	
	-10	120	40	120										
AHAM LBP	-23	41	32	32	2182,0	7452	1877,9	1,53	5,23	1,32	1423,7	7,60	50,84	
	-10	105	90	90										
opt	-35	45	32	45	910,0	3108	783,2	0,85	2,91	0,73	1068,4	5,88	24,33	
	-31	113	90	113										

## Performance tables

R404A, 220V/50Hz, CSCR, fan 3m/s, VDE, EAC

	pe		Cooling capacity			COP	EER	P1	I	m	
	[°C]	[°F]	[W]	[Btu/h]	[kcal/h]						
[°C / °F]	-45	-49	451,9	1543	388,9	0,57	1,93	0,49	799,3	4,80	12,00
cond. pressure	-35	-31	910,0	3108	783,2	0,85	2,91	0,73	1068,4	5,88	24,33
pc= 45/113	-30	-22	1234,8	4217	1062,6	1,00	3,43	0,86	1229,6	6,61	33,14
return gas temp.	-25	-13	1625,6	5552	1399,0	1,16	3,95	1,00	1404,3	7,42	43,85
RGT= 32/90	-20	-4	2084,3	7118	1793,8	1,31	4,48	1,13	1589,3	8,28	56,55
liquid temp	-15	5	2612,7	8923	2248,5	1,47	5,01	1,26	1781,6	9,15	71,37
Tliq= 45/113	-10	14	3212,5	10971	2764,7	1,62	5,55	1,40	1978,0	9,99	88,47
[°C / °F]	-45	-49	348,9	1192	300,3	0,44	1,49	0,37	802,0	4,57	10,72
cond. pressure	-35	-31	655,3	2238	564,0	0,59	2,02	0,51	1106,2	5,89	20,27
pc= 55/131	-30	-22	903,3	3085	777,4	0,70	2,40	0,61	1282,8	6,76	28,07
return gas temp	-25	-13	1216,9	4156	1047,3	0,83	2,82	0,71	1471,7	7,72	38,03
RGT= 32/90	-20	-4	1597,8	5457	1375,1	0,96	3,27	0,82	1669,6	8,74	50,27
liquid temp	-15	5	2047,9	6994	1762,4	1,09	3,73	0,94	1873,5	9,79	64,95
Tliq= 55/131	-10	14	2568,8	8773	2210,7	1,23	4,22	1,06	2080,1	10,82	82,23

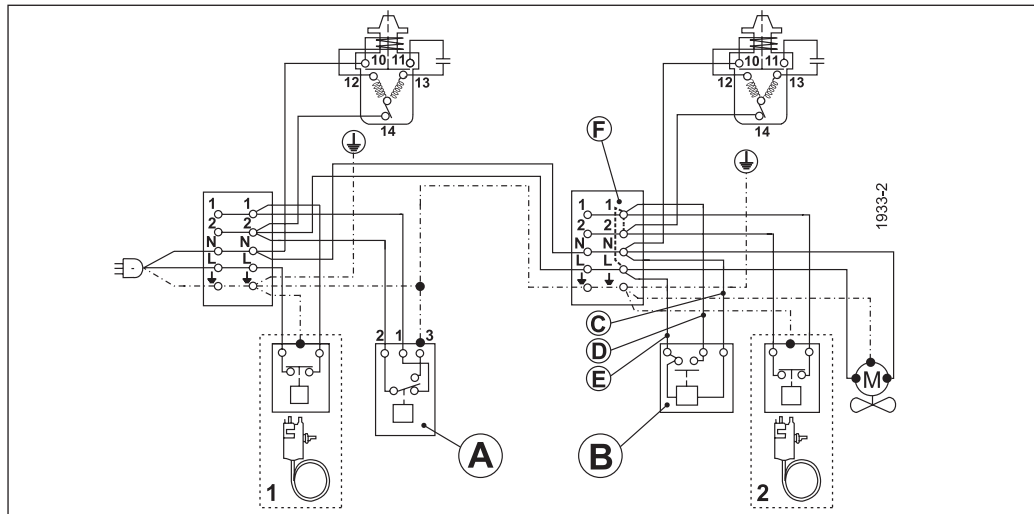
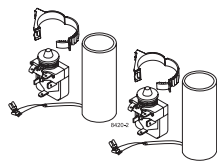
# SC Twin Compressors



	A	B	C	D	E	F	
ENGLISH	Safety pressure control	Time delay relay	Blue	Black	Brown	Remove wire L-1 if time delay is used	Remove wire 1-2 if thermostat 2 is used
中文	安全压力控制	延时继电器	蓝	黑	棕	若延时继电器使用, 线L-1不使用	若温控器2使用, 线1-2不使用
Русский	Предохранительное реле давления	Реле задержки времени	Синий	Чёрный	Коричневый	Отсоедините провод L-1, если используется реле задержки времени	Отсоедините провод 1-2, если используется термостат 2
DEUTSCH	Sicherheitsdruckschalter	Zeitrelais (verzögernd)	Blau	Schwarz	Braun	Bei Benutzung der Anlaßverzögerung Brücke L-1 entfernen	Bei Benutzung von Thermostat 2 Brücke 1-2 entfernen
FRANÇAIS	Pressostat	Relais de temporisation	Bleu	Noir	Marron	Supprimer la connection L-1 si le relais de temporisation est utilisé	Supprimer la connection 1-2 si thermostat 2 est utilisé
ESPAÑOL	Presostato de seguridad	Relé de retardo	Azul	Negro	Marrón	Quitar cable L-1, si se utiliza un relé de retardo	Quitar cable 1-2, si se utiliza el termostato 2
ITALIANO	Pressostato	Relè di ritardo avviam.	Blu	Nero	Marrone	Eliminare il cavo L-1 se è utilizzato il ritardatore	Eliminare il cavo 1-2 se è utilizzato il termostato 2
NEDERLANDS	Pressostaat	Tijdvertragingrelais	Blauw	Zwart	Bruin	Verwijder draad L-1 indien tijdvertraging wordt toegepast	Verwijder draad 1-2 indien thermostaat wordt toegepast
DANSK	Sikkerhedspressostat	Tidsforsinkelsesrelæ	Blå	Sort	Brun	Ved tidsforsinkelse fjernes ledning L-1	Ved termostat 2 fjernes ledning 1-2
SVENSKA	Säkerhetspressostat	Tidsfördröjningsrelä	Blå	Svart	Brun	Vid anslutning av tidsfördröjningsrelä avlägsnas bygling L-1	Vid anslutning av termostat 2 avlägsnas bygling 1-2



# SC Twin Compressors



	A	B	C	D	E	F	
ENGLISH	Safety pressure control	Time delay relay	Blue	Black	Brown	Remove wire L-1 if time delay is used	Remove wire 1-2 if thermostat 2 is used
中文	安全压力控制	延时继电器	蓝	黑	棕	若延时继电器使用, 线L-1不使用	若温控器2使用, 线1-2不使用
Русский	Предохранительное реле давления	Реле задержки времени	Синий	Чёрный	Коричневый	Отсоедините провод L-1, если используется реле задержки времени	Отсоедините провод 1-2, если используется термостат 2
DEUTSCH	Sicherheitsdruckschalter	Zeitrelais (verzögernd)	Blau	Schwarz	Braun	Bei Benutzung der Anlaufverzögerung Brücke L-1 entfernen	Bei Benutzung von Thermostat 2 Brücke 1-2 entfernen
FRANÇAIS	Pressostat	Relais de temporisation	Bleu	Noir	Marron	Supprimer la connection L-1 si le relais de temporisation est utilisé	Supprimer la connection 1-2 si thermostat 2 est utilisé
ESPAÑOL	Presostato de seguridad	Relé de retardo	Azul	Negro	Marrón	Quitar cable L-1, si se utiliza un relé de retardo	Quitar cable 1-2, si se utiliza el termostato 2
ITALIANO	Pressostato	Relè di ritardo avviam.	Blu	Nero	Marrone	Eliminare il cavo L-1 se è utilizzato il ritardatore	Eliminare il cavo 1-2 se è utilizzato il termostato 2
NEDERLANDS	Pressostaat	Tijdvertraging-relais	Blauw	Zwart	Bruin	Verwijder draad L-1 indien tijdvertraging wordt toegepast	Verwijder draad 1-2 indien thermostaat wordt toegepast
DANSK	Sikkerhedspressostat	Tidsforsinkel-sesrelæ	Blå	Sort	Brun	Ved tidsforsinkelse fjernes ledning L-1	Ved termostat 2 fjernes ledning 1-2
SVENSKA	Säkerhetspressostat	Tidsfördröjningsrelä	Blå	Svart	Brun	Vid anslutning av tidsfördröjningsrelä avlägsnas bygling L-1	Vid anslutning av termostat 2 avlägsnas bygling 1-2

Secop accepts no responsibility for possible errors in catalogs, brochures, and other printed material. Secop reserves the right to alter its products without notice. This also applies to products already on order provided that such alterations can be made without subsequent changes being necessary to specifications already agreed. All trademarks in this material are the property of the respective companies. Secop and the Secop logotype are trademarks of Secop GmbH. All rights reserved. [www.secop.com](http://www.secop.com)