

Single Pack TFS4.5FT 115-127V 60Hz CSIR

Single pack code number: **195B4001**

Position	Title	Code	Amount
1	Compressor TFS4.5FT	102G3424	1
2	Bolt joint for one compressor M6 ø16mm	118-1917	1

Secop GmbH • Lise-Meitner-Straße 29 • 24941 Flensburg, Germany • Tel: +49 461 4941 0 • www.secop.com

Secop accepts no responsibility for possible errors in catalogs, brochures, and other printed material. Secop reserves the right to alter its products without notice. This also applies to products already on order provided that such alterations can be made without subsequent changes being necessary to specifications already agreed. All trademarks in this material are the property of the respective companies. Secop and the Secop logotype are trademarks of Secop GmbH. All rights reserved.

Model

Designation	TFS4.5FT	115-127V/60Hz 1~	Sales code:	102G3424
-------------	-----------------	------------------	-------------	-----------------

Compressor design

Oil type	Polyolester	Refrigerant(s)	R134a, R513A, 0
Oil viscosity	15cST	Displacement	4,63cm ³ / 0,28cu.in
Oil quantity	285cm ³ / 9,7fl.oz	Compressors on pallet	100
Refr. charge - tech. limit	400g / 14,1oz		
Free gas volume comp.	1790cm ³ / 60,5fl.oz		
Weight	6,7kg / 14,8lbs		
Motor protection	external		
Winding resistance main	3,33Ω (at 25°C)		
Winding resistance aux	8,76Ω (at 25°C)		
Max. winding temp.	125°C / 257°F		
Max. discharge temp.	120°C / 248°F		



General - Configurations with TFS4.5FT

	Conf. 1
Motorconfiguration	CSIR
Power supply (nominal)	115-127V/60Hz
Number of phases	1
Voltage range	95-135V
Approvals	UL
Starting torque	HST
Note	Electrical equipment is included and pre-assembled to compressor.

Applications with TFS4.5FT

	Conf. 1
Refrigerant	R134a
Application	LBP+MBP
System cooling	fan 1,5m/s
Hot gas defrost	-/-
Long interval pull down	OK

Electrical data - Configurations with TFS4.5FT

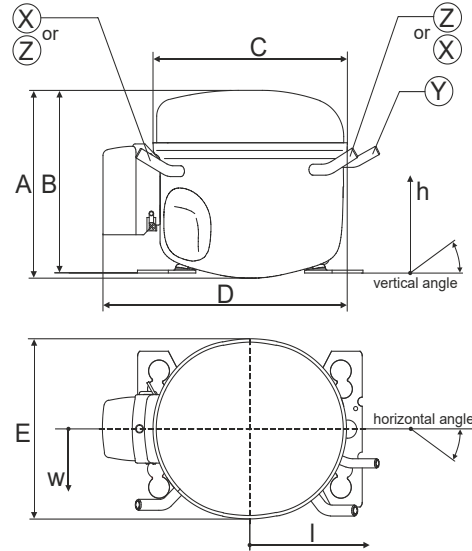
	Conf. 1
Starting device type	relay
Run capacitor	-/-
Start capacitor	320μF
LRA (locked rotor amps / 4s/ U(N))	20,1A
RLA (rated load amps / 1s/ U(N))	2,4A
Cut in current (U(N))	20,1A

Model

Designation	TFS4.5FT	115-127V/60Hz 1~	Sales code:	102G3424
-------------	-----------------	------------------	-------------	-----------------

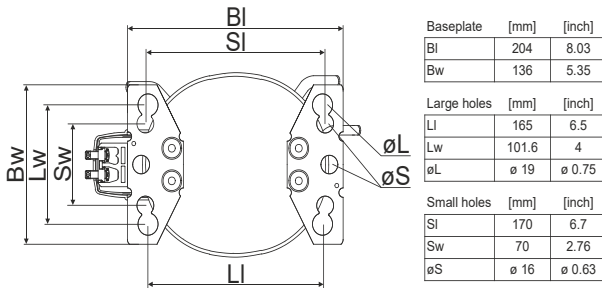
Compressor dimensions

Housing	A Height	174mm / 6,85in
	B Height	168mm / 6,61in
	C Length shell	176,5mm / 6,95in
	D Length w. cover	226mm / 8,9in
	E Width	156mm / 6,14in

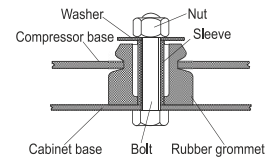


Connectors		Suction	Discharge	Process
		X	Y	Z
Diameter	[mm]	øi 6,41-6,59	øi 5,12-5,22	øi 6,41-6,59
	(i:inside, o:outside) [in]	øi 0,25-0,26	øi 0,2-0,21	øi 0,25-0,26
Material		copper	copper	copper
Horizontal angle	±2°	0°	0°	0°
Vertical angle	±2°	150°	28°	31,5°
Position l/h/w	[mm]	-102/105/66	117/107/29	96/105/71
	[in]	-4/4,1/2,6	4,6/4,2/1,1	3,8/4,1/2,8
Straight tube l.	[mm]	12	12	12
	[in]	0,5	0,5	0,5

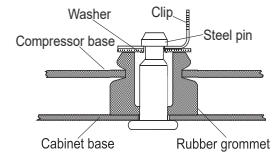
Compressor fixation



Bolt joint



Snap-on



Mounting accessories	one comp.	multi pack
Bolt joint M6 ø16mm	118-1917	118-1918
Bolt joint ø1/4" ø16mm	118-1946	
Bolt joint ø1/4" ø19mm	118-1949	
Snap-on ø7,3 ø16mm	118-1947	118-1919

#NV

#NV

Provision for PE Grounding is located at the PE Stamp on the compressor

Model

Designation	TFS4.5FT	115-127V/60Hz	Conf. 1	Sales code:	102G3424
-------------	-----------------	----------------------	---------	-------------	-----------------

Configuration

Motorconfiguration	CSIR	
Power supply (nominal)	115-127V/60Hz 1~	
Refrigerant	R134a	
Application	LBP+MBP	
Voltage range	95-135V	
Starting torque	HST	
Approvals	UL	SA3693

Electrical accessories / wiring diagram



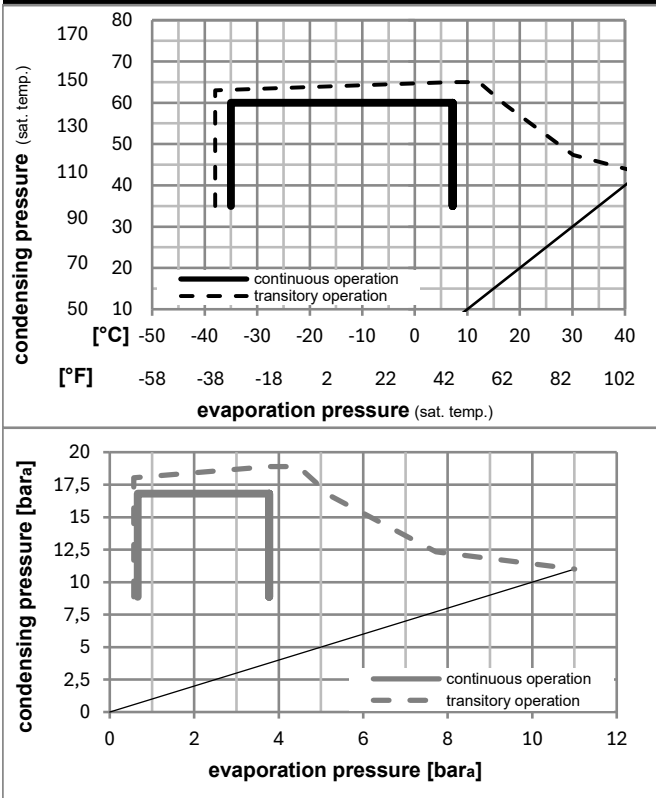
Ambient/ machine room temperatures minimum /maximum

Ambient temperature range: 10 - 43°C / 50 - 110°F

Machine room temperature range: 10 - 48°C / 50 - 119°F

Compressor cooling: fan 1,5m/s

Operation pressure range



Components (already pre-assembled)

a2	assy. relay + ext. protector (MRP39AIL-6)	117U4126
c	start capacitor (320µF)	117U5022
b	plastic cover	117U1021
d/dc	cord relief	117U0349
d/dc	cord relief	117U0349

Model

Designation **TFS4.5FT** **115-127V/60Hz** Conf. 1 Sales code: **102G3424**

Optimization + standard conditions

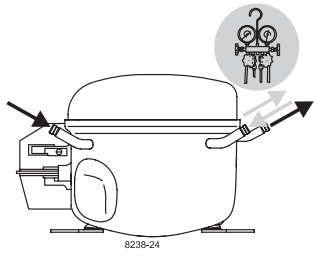
R134a, 115V/60Hz, CSIR, fan 1,5m/s, UL

	Evaporating pressure (saturation temperature)				Cooling capacity			COP	EER	P1	Power consumption		ASHRAE LBP
	pe	pc	RGT	Tliq	[W]	[Btu/h]	[kcal/h]				I	m	
[°C]	[°C]	[°C]	[°C]	[W]	[Btu/h]	[kcal/h]	[W/W]	[Btu/Wh]	[kcal/Wh]	[W]	[A]	[kg/h]	
-23	54	32	32	139,8	477	120,3	1,10	3,76	0,95	127,1	2,02	2,71	ASHRAE LBP
[°F]	-10	130	90										
-25	55	32	55	102,0	348	87,8	0,84	2,88	0,73	121,0	1,99	2,44	cecomaf LBP
[°F]	-13	131	90	131									
-35	40	20	40	82,3	281	70,8	0,88	3,01	0,76	93,5	1,87	1,81	EN12900 LBP
[°F]	-31	104	68	104									
-23	49	4,4	49	118,4	404	101,9	0,93	3,19	0,80	126,9	2,01	3,13	ARI540 LBP
[°F]	-10	120	40	120									
-23	41	32	32	165,1	564	142,1	1,32	4,50	1,13	125,3	1,99	3,20	AHAM LBP
[°F]	-10	105	90	90									
-35	45	32	45	75,0	256	64,5	0,81	2,78	0,70	92,1	1,87	1,62	opt
[°F]	-31	113	90	113									

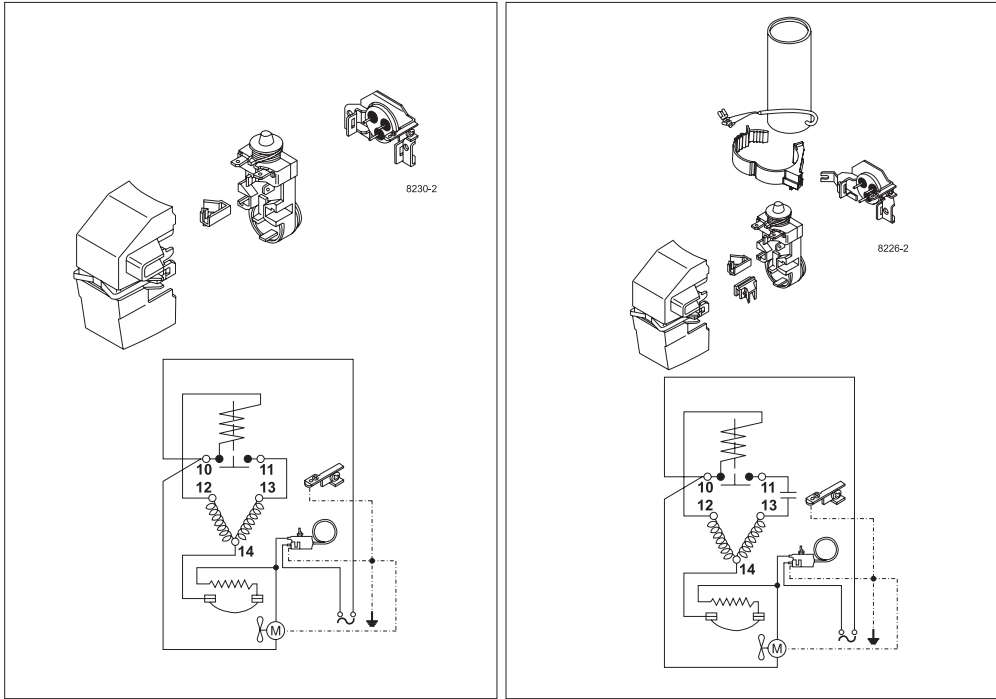
Performance tables

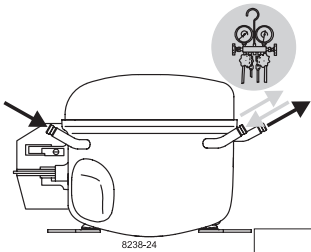
R134a, 115V/60Hz, CSIR, fan 1,5m/s, UL

	pe		Cooling capacity			COP	EER		P1	I	m
	[°C]	[°F]	[W]	[Btu/h]	[kcal/h]		[Btu/Wh]	[kcal/Wh]			
[°C / °F]	-35	-31	75,0	256	64,5	0,81	2,78	0,70	92,1	1,87	1,62
cond. pressure	-23	-10	141,0	481	121,3	1,12	3,81	0,96	126,3	2,00	3,06
pc= 45/113	-15	5	214,2	732	184,4	1,37	4,69	1,18	156,0	2,16	4,67
return gas temp.	-9	15	275,4	941	237,0	1,54	5,27	1,33	178,4	2,29	6,03
RGT= 32/90	-4	25	346,7	1184	298,4	1,71	5,83	1,47	202,9	2,47	7,63
liquid temp	0	32	402,6	1375	346,5	1,82	6,21	1,56	221,4	2,61	8,90
Tliq= 45/113	7,2	45	519,9	1776	447,5	2,01	6,86	1,73	258,7	2,93	11,61
[°C / °F]	-35	-31	56,0	191	48,2	0,64	2,17	0,55	88,0	1,87	1,33
cond. pressure	-23	-10	112,8	385	97,0	0,89	3,03	0,76	127,1	2,02	2,70
pc= 55/131	-15	5	179,9	614	154,8	1,12	3,84	0,97	160,1	2,18	4,33
return gas temp	-9	15	237,3	810	204,2	1,29	4,39	1,11	184,5	2,32	5,74
RGT= 32/90	-4	25	304,8	1041	262,3	1,45	4,94	1,24	210,9	2,50	7,42
liquid temp	0	32	358,3	1224	308,3	1,55	5,30	1,34	230,7	2,64	8,76
Tliq= 55/131	7,2	45	471,2	1609	405,5	1,74	5,96	1,50	270,2	2,96	11,65

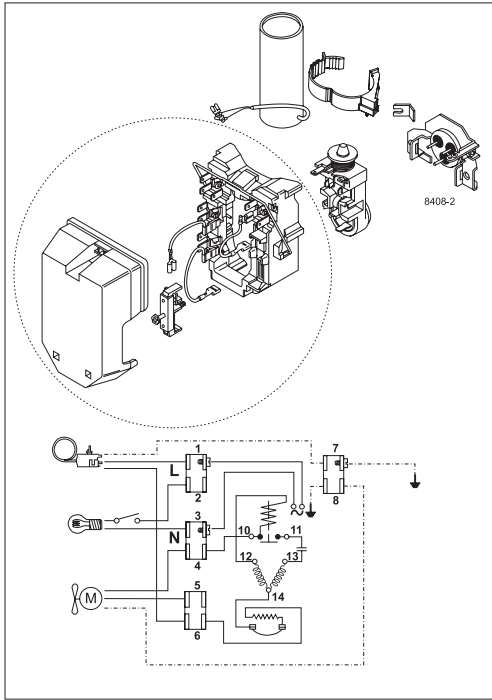
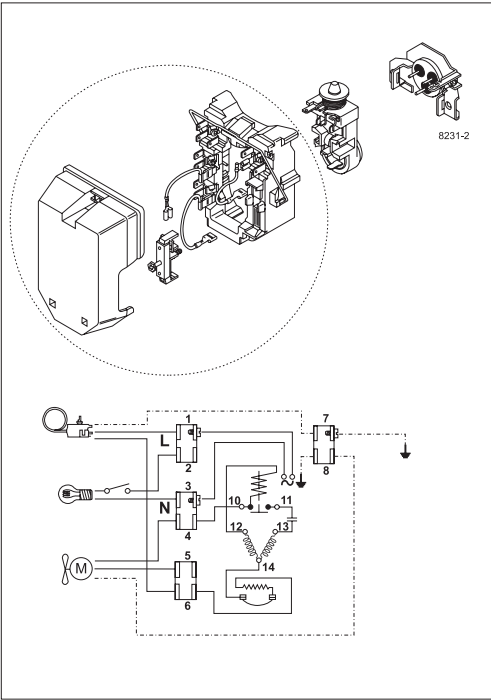


TF Compressors





8238-24



Secop accepts no responsibility for possible errors in catalogs, brochures, and other printed material. Secop reserves the right to alter its products without notice. This also applies to products already on order provided that such alterations can be made without subsequential changes being necessary to specifications already agreed. All trademarks in this material are the property of the respective companies. Secop and the Secop logotype are trademarks of Secop GmbH. All rights reserved. www.secop.com