

## Single Pack SC18MNX 220-240V 50Hz CSIR

Single pack code number: **195B4053**

Position	Title	Code	Amount
1	Compressor SC18MNX	104H8875	1
2	Starting relay	117U7011	1
3	Starting capacitor (80 $\mu$ F 220V, 6.3mm)	117U5017	1
4	Cord relief	103N1004	1
5	Cover	103N2008	1
6	Bolt joint for one compressor   M6   $\varnothing$ 16mm	118-1917	1

Secop GmbH • Lise-Meitner-Straße 29 • 24941 Flensburg, Germany • Tel: +49 461 4941 0 • [www.secop.com](http://www.secop.com)

Secop accepts no responsibility for possible errors in catalogs, brochures, and other printed material. Secop reserves the right to alter its products without notice. This also applies to products already on order provided that such alterations can be made without subsequent changes being necessary to specifications already agreed. All trademarks in this material are the property of the respective companies. Secop and the Secop logotype are trademarks of Secop GmbH. All rights reserved.

## Model

Designation	<b>SC18MNX</b>	220-240V/50Hz 1~	Sales code:	<b>104H8875</b>
-------------	----------------	------------------	-------------	-----------------

## Compressor design

Oil type	Polyolester	Refrigerant(s)	<b>R290</b>
Oil viscosity	32cST	Displacement	17,69cm <sup>3</sup> / 1,08cu.in
Oil quantity	550cm <sup>3</sup> / 18,6fl.oz	Compressors on pallet	80
Refr. charge - tech. limit	150g / 5,3oz		
Free gas volume comp.	1460cm <sup>3</sup> / 49,4fl.oz		
Weight	14kg / 30,9lbs		
Motor protection	1# internal		
Winding resistance main	3,4Ω (at 25°C)		
Winding resistance aux	14,4Ω (at 25°C)		
Max. winding temp.	125°C / 257°F		
Max. discharge temp.	135°C / 275°F		



## General - Configurations with SC18MNX

	<b>Conf. 1</b>
Motorconfiguration	CSIR
Power supply (nominal)	220-240V/50Hz
Number of phases	1
Voltage range	198-254V
Approvals	CCC, EAC, VDE
Starting torque	HST
Note	- / -

## Applications with SC18MNX

	<b>Conf. 1</b>
Refrigerant	R290
Application	MBP
System cooling	fan 3m/s
Hot gas defrost	OK
Long interval pull down	OK

## Electrical data - Configurations with SC18MNX

	<b>Conf. 1</b>
Starting device type	relay
Run capacitor	-/-
Start capacitor	80μF
LRA (locked rotor amps / 4s)	
RLA (rated load amps / 1s)	-/-A
Cut in current	

## Model

Designation

**SC18MNX**

220-240V/50Hz 1~

Sales code:

**104H8875**

## Compressor dimensions

Housing	A Height	219mm / 8,62in
	B Height	213mm / 8,39in
	C Length shell	218mm / 8,58in
	D Length w. cover	255mm / 10,04in
	E Width	151mm / 5,94in

Connectors	Suction X	Discharge Y	Process Z
Diameter [mm]	ø 8,11-8,29	ø 6,11-6,29	ø 6,11-6,29
(i:inside, o:outside) [in]	ø 0,32-0,33	ø 0,24-0,25	ø 0,24-0,25
Material	copper	copper	copper
Horizontal angle ±2°	37°	37°	143°
Vertical angle ±2°	30°	0°	150°
Position l/h/w [mm]	107/193/55	115/110/63	-107/193/55
[in]	4,2/7,6/2,2	4,5/4,3/2,5	-4,2/7,6/2,2
Straight tube l. [mm]	12	12	12
[in]	0,5	0,5	0,5



## Compressor fixation



### Bolt joint



### Snap-on



## Mounting accessories

Mounting accessories	one comp.	multi pack
Bolt joint   M6   ø16mm	118-1917	118-1918
Bolt joint   ø1/4"   ø16mm	118-1946	
Bolt joint   ø1/4"   ø19mm	118-1949	
Snap-on   ø7,3   ø16mm	118-1947	118-1919

## Application notes

Provision for PE Grounding is located at the PE Stamp on the compressor

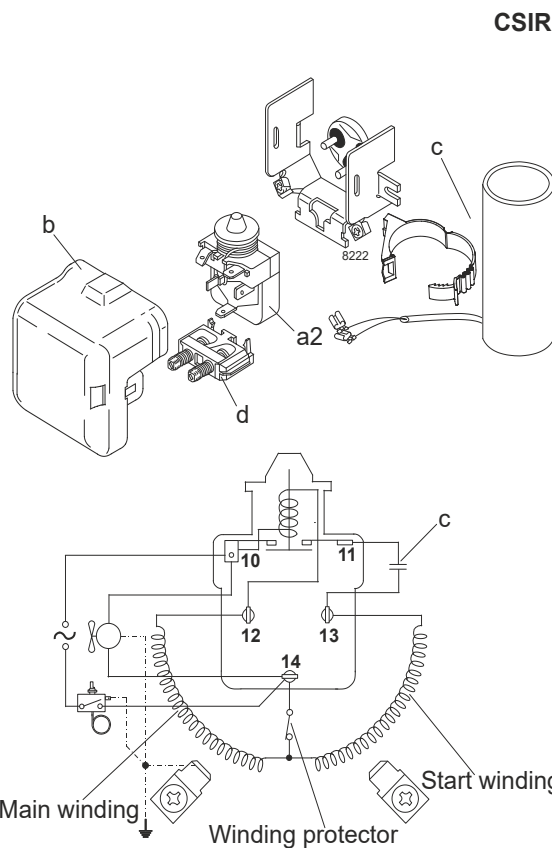
## Model

Designation	<b>SC18MNX</b>	<b>220-240V/50Hz</b>	<b>Conf. 1</b>	Sales code:	<b>104H8875</b>
-------------	----------------	----------------------	----------------	-------------	-----------------

## Configuration

Motorconfiguration	CSIR
Power supply (nominal)	220-240V/50Hz 1~
Refrigerant	R290
Application	MBP
Voltage range	198-254V
Starting torque	HST
Approvals	CCC EAC VDE

## Electrical accessories / wiring diagram

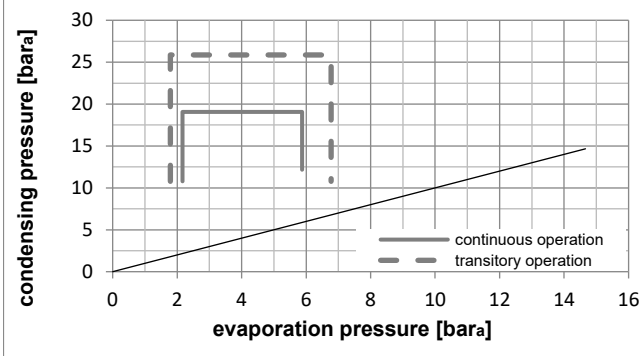
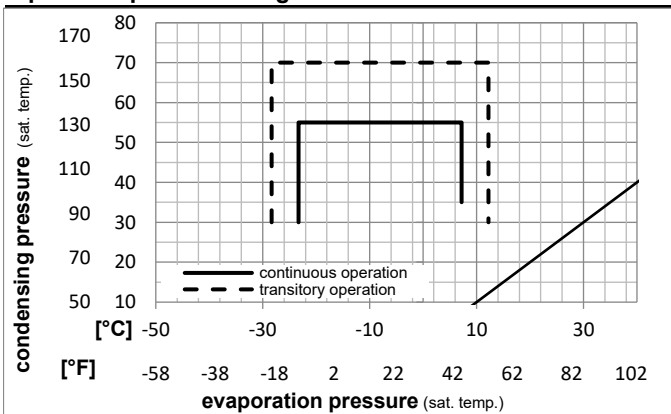


## Ambient/ machine room temperatures minimum /maximum

Ambient temperature range:	10 - 43°C / 50 - 110°F
Machine room temperature range:	10 - 48°C / 50 - 119°F
Compressor cooling:	fan 3m/s

## Operation Limits

## Operation pressure range



## Components

a2	relay	117U7011
c	start capacitor (80μF)	117U5017
d	cord relief	103N1004
b	plastic cover	103N2009

## Alternative components

b	plastic cover	103N2008
---	---------------	----------

### Model

Designation **SC18MNX** **220-240V/50Hz** Conf. 1 Sales code: **104H8875**

### Optimization + standard conditions

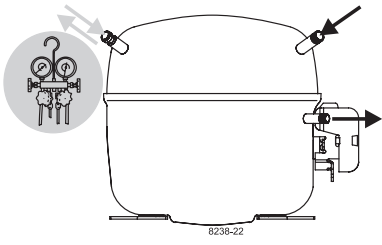
R290, 220V/50Hz, CSIR, fan 3m/s, CCC, EAC, VDE

	Evaporating pressure (saturation temperature)				Condensing pressure (saturation temperature)			Return gas temp.			Liquid temp.			Cooling capacity			COP	EER	Power consumption		
	pe	pc	RGT	Tliq	[W]	[Btu/h]	[kcal/h]	[W/W]	[Btu/Wh]	[kcal/Wh]	P1	I	Ref. mass flow								
[°C]											[W]	[A]	[kg/h]								
[°F]																					
	-7	54	35	46	1365,6	4664	1175,3	1,71	5,83	1,47	799,9	4,74	15,58	<b>ASHRAE MBP</b>							
	20	130	95	115																	
	-10	55	32	55	1087,8	3715	936,2	1,42	4,86	1,22	764,5	4,61	13,76	<b>cecomaf MBP</b>							
	14	131	90	131																	
	-10	45	20	45	1204,1	4112	1036,3	1,69	5,77	1,45	712,9	4,41	14,78	<b>EN12900 MBP</b>							
	14	113	68	113																	
	-7	49	18	49	1280,4	4373	1101,9	1,67	5,70	1,44	766,9	4,61	16,63	<b>ARI540 MBP</b>							
	20	120	65	120																	
	-10	45	32	45	1253,6	4281	1078,8	1,76	6,01	1,51	712,9	4,41	14,34	<b>opt</b>							
	14	113	90	113																	
	-25	45	32	45	675,0	2305	580,9	1,22	4,17	1,05	552,2	3,90	7,61	<b>opt</b>							
	-13	113	90	113																	

### Performance tables

R290, 220V/50Hz, CSIR, fan 3m/s, CCC, EAC, VDE

	pe		Cooling capacity			COP	EER	P1			I	m
	[°C]	[°F]	[W]	[Btu/h]	[kcal/h]	[W/W]	[Btu/Wh]	[kcal/Wh]	[W]	[A]	[kg/h]	
[°C / °F]	-23	-10	730,5	2495	628,7	1,27	4,35	1,10	573,7	3,97	8,25	
cond. pressure	-20	-4	844,3	2883	726,6	1,38	4,71	1,19	612,5	4,08	9,56	
pc= 45/113	-15	5	1035,1	3535	890,8	1,56	5,31	1,34	665,4	4,25	11,78	
return gas temp.	-10	14	1253,6	4281	1078,8	1,76	6,01	1,51	712,9	4,41	14,34	
RGT= 32/90	-5	23	1505,9	5143	1296,0	1,99	6,79	1,71	756,9	4,56	17,34	
liquid temp	0	32	1798,3	6142	1547,7	2,25	7,68	1,94	799,2	4,71	20,86	
Tliq= 45/113	7,2	45	2302,2	7862	1981,3	2,67	9,13	2,30	861,1	4,95	27,05	
[°C / °F]	-23	-10	628,4	2146	540,8	1,06	3,61	0,91	594,9	4,02	7,84	
cond. pressure	-20	-4	729,1	2490	627,4	1,14	3,89	0,98	640,4	4,17	9,12	
pc= 55/131	-15	5	896,6	3062	771,6	1,27	4,35	1,10	704,5	4,39	11,27	
return gas temp	-10	14	1087,8	3715	936,2	1,42	4,86	1,22	764,5	4,61	13,76	
RGT= 32/90	-5	23	1308,8	4470	1126,4	1,59	5,44	1,37	822,4	4,83	16,67	
liquid temp	0	32	1565,9	5348	1347,6	1,78	6,08	1,53	879,9	5,05	20,11	
Tliq= 55/131	7,2	45	2011,7	6870	1731,3	2,08	7,11	1,79	966,0	5,39	26,21	



# SC Compressors





# SC Compressors

## Service/Repair – R290



8545



Secop accepts no responsibility for possible errors in catalogs, brochures, and other printed material. Secop reserves the right to alter its products without notice. This also applies to products already on order provided that such alterations can be made without subsequent changes being necessary to specifications already agreed. All trademarks in this material are the property of the respective companies. Secop and the Secop logotype are trademarks of Secop GmbH. All rights reserved. [www.secop.com](http://www.secop.com)