

Single Pack NF5.5CLX 115-127V 60Hz CSIR

Single pack code number: **195B4076**

Position	Title	Code	Amount
1	Compressor NF5.5CLX	105F1621	1
2	Starting relay (overload protector MRP30AEN-6, T0772/06)	117U4061	1
3	Starting capacitor (280 μ F 125V, 6.3mm)	117U5025	1
4	Cord relief	117U0349	2
5	Cover	117U1021	1
6	Bolt joint for one compressor M6 \varnothing 16mm	118-1917	1

Secop GmbH • Lise-Meitner-Straße 29 • 24941 Flensburg, Germany • Tel: +49 461 4941 0 • www.secop.com

Secop accepts no responsibility for possible errors in catalogs, brochures, and other printed material. Secop reserves the right to alter its products without notice. This also applies to products already on order provided that such alterations can be made without subsequent changes being necessary to specifications already agreed. All trademarks in this material are the property of the respective companies. Secop and the Secop logotype are trademarks of Secop GmbH. All rights reserved.

NF5.5CLX LBP/MBP Compressor R404A/R507 115V 60Hz

General

Code number	105F1621
Approvals	UL984
Compressors on pallet	80

Application

Application	LBP/MBP			
Frequency	Hz	50	60	
Evaporating temperature	°F	-	-49 to 45	
Voltage range	V	-	95 - 135	
Max. condensing temperature continuous (short)	°F	-	122 (140)	
Max. winding temperature continuous (short)	°F	-	257 (275)	

Cooling requirements

Frequency	Hz	50			60		
Application		LBP	MBP	HBP	LBP	MBP	HBP
90°F		-	-	-	F ₂	F ₂	-
100°F		-	-	-	F ₂	F ₂	-
110°F		-	-	-	F ₂	F ₂	-
Remarks on application: MBP 108 - 135V, 60Hz							

Motor

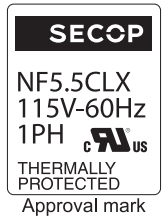
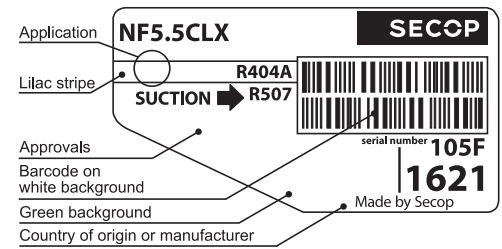
Motor type	CSIR		
LRA (rated after 4 sec. UL984), HST LST	A	30.0	-
Cut in Current, HST LST	A	30.0	-
Resistance, main start winding (77°F)	Ω	1.9	6.6

Design

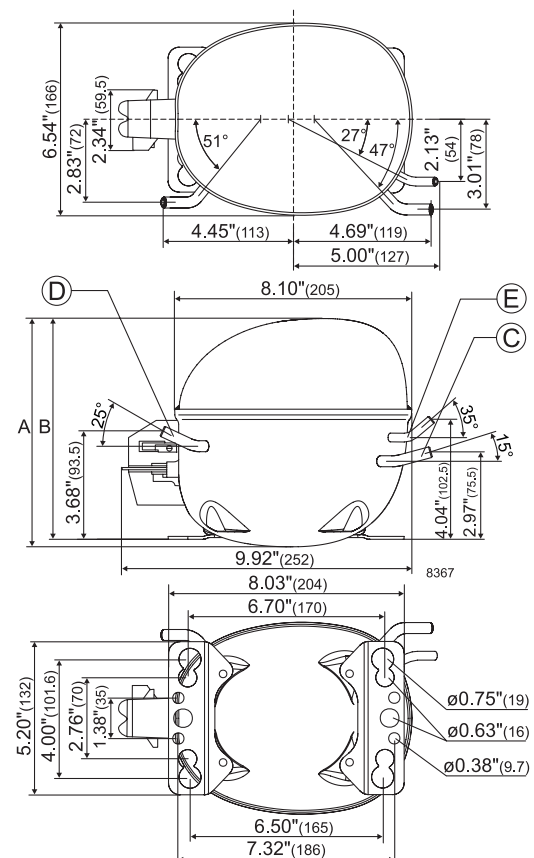
Displacement	cu.in	0.37
Oil quantity (type)	fl.oz.	10.14 (polyolester)
Maximum refrigerant charge	oz.	14.0
Free gas volume in compressor	fl.oz.	76.9
Weight without electrical equipment	lbs.	22.2

Dimensions

Height	inch	A	8.00
		B	7.76
		B1	-
		B2	-
Suction connector	location, I.D. in. angle	C	0.320-0.327 15°
	material comment		Copper Rubber plug
Process connector	location, I.D. in. angle	D	0.252-0.259 25°
	material comment		Copper Rubber plug
Discharge connector	location, I.D. in. angle	E	0.252-0.259 35°
	material comment		Copper Rubber plug
Oil cooler connector	location, I.D. in. angle	F	-
	material comment		-
Remarks:			



- S = Static cooling normally sufficient
- O = Oil cooling
- F₁ = Fan cooling 1.5 m/s
(compressor compartment temperature equal to ambient temperature)
- F₂ = Fan cooling 3.0 m/s necessary
- SG = Suction gas cooling normally sufficient
- = not applicable in this area



ASHRAE LBP*

115V, 60Hz, fan cooling F₂

Evap. temp. in °F	-49	-40	-30	-20	-13	-10	0	10	14	20	30	32	40	45	50	59	68
Capacity in BTU/h	398	565	788	1056	1274	1376	1756	2202	2401	2723	3325	4017	4092	4399			
Power cons. in W	155	185	219	253	277	288	324	362	378	404	449	498	503	524			
Current cons. in A	3.35	3.43	3.54	3.69	3.82	3.88	4.09	4.34	4.45	4.63	4.94	5.29	5.33	5.48			
EER in BTU/Wh	2.57	3.05	3.59	4.17	4.60	4.78	5.42	6.08	6.35	6.75	7.41	8.07	8.13	8.39			

ASHRAE MBP

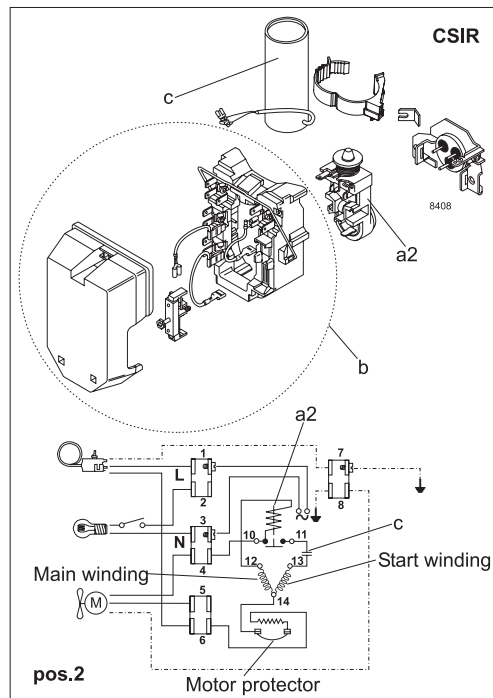
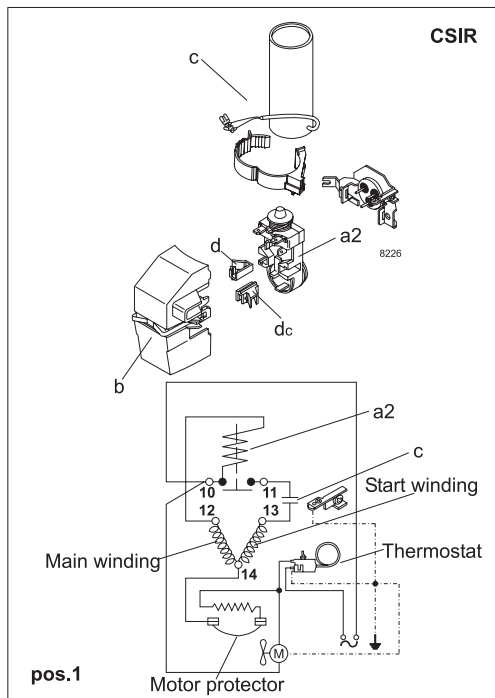
115V, 60Hz, fan cooling F₂

Evap. temp. in °F	-49	-40	-30	-20	-13	-10	0	10	14	20	30	32	40	45	50	59	68
Capacity in BTU/h	261	397	579	799	980	1065	1384	1763	1933	2209	2730	3334	3399	3669			
Power cons. in W	142	179	218	257	285	297	338	382	400	428	477	530	536	559			
Current cons. in A	3.32	3.42	3.57	3.75	3.90	3.96	4.21	4.49	4.62	4.81	5.16	5.54	5.58	5.74			
EER in BTU/Wh	1.83	2.22	2.65	3.11	3.44	3.58	4.09	4.62	4.84	5.17	5.72	6.29	6.34	6.56			

EN 12900 Household (CECOMAF)

115V, 60Hz, fan cooling F₂

Evap. temp. in °F	-49	-40	-30	-20	-13	-10	0	10	14	20	30	32	40	45	50	59	68
Capacity in BTU/h	332	477	669	901	1089	1177	1504	1889	2060	2337	2854	3446	3510	3772			
Power cons. in W	153	185	219	254	279	290	327	366	382	408	454	504	509	530			
Current cons. in A	3.35	3.43	3.55	3.70	3.83	3.89	4.11	4.37	4.48	4.65	4.98	5.33	5.37	5.52			
EER in BTU/Wh	2.17	2.58	3.05	3.54	3.91	4.06	4.61	5.17	5.39	5.73	6.29	6.84	6.90	7.11			



Accessories for	NF5.5CLX	Figure	Code number
Starting relay	1/4 in. spade connect.	a2	117U4061
Protector 3/4 in.	Texas Instruments		MRP30AEN-6
Cover (standard)		b	117U1021
Cord relief		d	117U0349
Cord relief for capacitor		dc	117U0349
Cover (alternative) with terminal board		b (pos.2)	117U1024
Start. capacitor 280 µF	1/4 in. spade connect.	c	117U5025

Test conditions	ASHRAE LBP*	ASHRAE MBP	EN 12900/CECOMAF
Condensing temp.	110°F	130°F	113°F
Ambient temp.	90°F	95°F	90°F
Suction gas temp.	90°F	95°F	90°F
Liquid temperature	90°F	115°F	113°F

Mounting accessories	Code number	
Bolt joint for one comp.	Ø: 5/8 in.	118-1917
Bolt joint in quantities	Ø: 5/8 in.	118-1918
Snap-on in quantities	Ø: 5/8 in.	118-1919

Secop accepts no responsibility for possible errors in catalogs, brochures, and other printed material. Secop reserves the right to alter its products without notice. This also applies to products already on order provided that such alterations can be made without subsequential changes being necessary to specifications already agreed. All trademarks in this material are the property of the respective companies. Secop and the Secop logotype are trademarks of Secop GmbH. All rights reserved. www.secop.com



NF Compressors





8238-23



Secop accepts no responsibility for possible errors in catalogs, brochures, and other printed material. Secop reserves the right to alter its products without notice. This also applies to products already on order provided that such alterations can be made without subsequential changes being necessary to specifications already agreed. All trademarks in this material are the property of the respective companies. Secop and the Secop logotype are trademarks of Secop GmbH. All rights reserved. www.secop.com