

Single Pack NL7CN 220-240V 50Hz CSIR

Single pack code number: **195B4112**

| Position | Title | Code | Amount |
|----------|---|----------|--------|
| 1 | Compressor NL7CN | 105H6756 | 1 |
| 2 | Starting relay | 117U7002 | 1 |
| 3 | Starting capacitor (80 μ F 220V, 6.3mm) | 117U5015 | 1 |
| 4 | Cord relief | 103N1010 | 1 |
| 5 | Cover | 103N2010 | 1 |
| 6 | Bolt joint for one compressor M6 \varnothing 16mm | 118-1917 | 1 |

Secop GmbH • Lise-Meitner-Straße 29 • 24941 Flensburg, Germany • Tel: +49 461 4941 0 • www.secop.com

Secop accepts no responsibility for possible errors in catalogs, brochures, and other printed material. Secop reserves the right to alter its products without notice. This also applies to products already on order provided that such alterations can be made without subsequent changes being necessary to specifications already agreed. All trademarks in this material are the property of the respective companies. Secop and the Secop logotype are trademarks of Secop GmbH. All rights reserved.

NL7CN LBP/MBP Compressor R290 220-240V 50Hz

General

| | |
|-----------------------|--------------------------------|
| Code number | 105H6756 |
| Approvals | EN 60335-2-34 w. Annex AA, CCC |
| Compressors on pallet | 80 |

Application

| Application | LBP/MBP | | |
|--|---------|-----------|----|
| Frequency | Hz | 50 | 60 |
| Evaporating temperature | °C | -40 to 5 | - |
| Voltage range | V | 198 - 254 | - |
| Max. condensing temperature continuous (short) | °C | 55 (65) | - |
| Max. winding temperature continuous (short) | °C | 125 (135) | - |

Cooling requirements

| Frequency | Hz | 50 | | | 60 | | |
|-------------------------|----|----------------|----------------|-----|-----|-----|-----|
| Application | | LBP | MBP | HBP | LBP | MBP | HBP |
| 32°C | | F ₁ | F ₁ | - | - | - | - |
| 38°C | | F ₁ | F ₁ | - | - | - | - |
| 43°C | | F ₁ | F ₂ | - | - | - | - |
| Remarks on application: | | | | | | | |

Motor

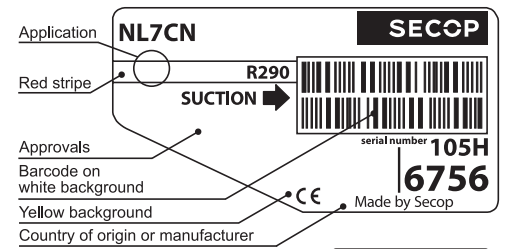
| Motor type | RSIR/RSCR/CSIR | | |
|---|----------------|------|------|
| LRA (rated after 4 sec. UL984), HST LST | A | 10.4 | 9.2 |
| Cut in Current, HST LST | A | 10.4 | 13.6 |
| Resistance, main start winding (25°C) | Ω | 8.2 | 14.7 |

Design

| | | |
|-------------------------------------|-----------------|-------------------|
| Displacement | cm ³ | 7.27 |
| Oil quantity (type) | cm ³ | 270 (polyolester) |
| Maximum refrigerant charge | g | 150 |
| Free gas volume in compressor | cm ³ | 2360 |
| Weight without electrical equipment | kg | 10.5 |

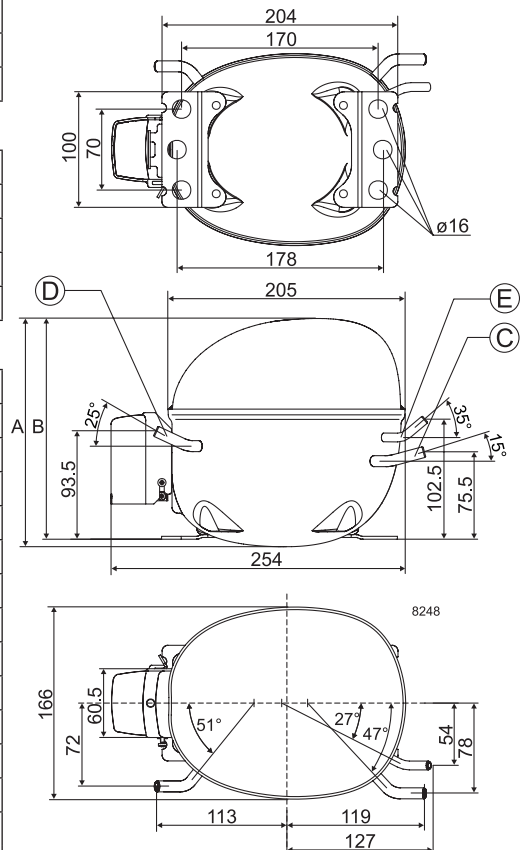
Dimensions

| | | | |
|----------------------|--------------------------|----|----------------------|
| Height | mm | A | 203 |
| | | B | 197 |
| | | B1 | - |
| | | B2 | - |
| Suction connector | location/I.D. mm angle | C | 8.2 15° |
| | material comment | | Copper Rubber plug |
| Process connector | location/I.D. mm angle | D | 6.2 25° |
| | material comment | | Copper Rubber plug |
| Discharge connector | location/I.D. mm angle | E | 6.2 35° |
| | material comment | | Copper Rubber plug |
| Oil cooler connector | location/I.D. mm angle | F | - |
| | material comment | | - |
| Connector tolerance | I.D. mm | | ±0.09 |
| Remarks: | | | |



Yellow warning label

- S = Static cooling normally sufficient
- O = Oil cooling
- F₁ = Fan cooling 1.5 m/s
(compressor compartment temperature equal to ambient temperature)
- F₂ = Fan cooling 3.0 m/s necessary
- SG = Suction gas cooling normally sufficient
- = not applicable in this area

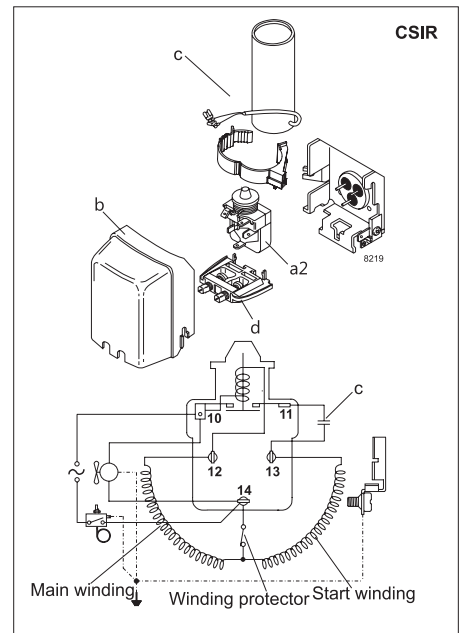
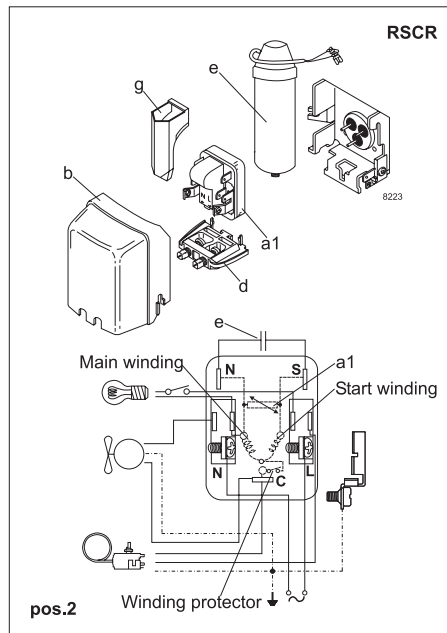


EN 12900 Household (CECOMAF)* 220V, 50Hz, 2 W PTC consumption incl., fan cooling F₁

| | | | | | | | | | | | | | | | | | |
|--------------------|-----|------|------|------|------|-------|------|------|------|------|------|------|------|-----|----|----|----|
| Evap. temp. in °C | -45 | -40 | -35 | -30 | -25 | -23.3 | -20 | -15 | -10 | -6.7 | -5 | 0 | 5 | 7.2 | 10 | 15 | 20 |
| Capacity in W | | 118 | 166 | 223 | 290 | 315 | 368 | 458 | 561 | 637 | 679 | 814 | 965 | | | | |
| Power cons. in W | | 149 | 174 | 198 | 221 | 229 | 244 | 267 | 291 | 307 | 316 | 343 | 372 | | | | |
| Current cons. in A | | 1.40 | 1.43 | 1.48 | 1.54 | 1.56 | 1.61 | 1.69 | 1.78 | 1.85 | 1.89 | 2.00 | 2.13 | | | | |
| COP in W/W | | 0.79 | 0.96 | 1.13 | 1.31 | 1.38 | 1.51 | 1.71 | 1.93 | 2.07 | 2.15 | 2.37 | 2.59 | | | | |

ASHRAE LBP* 220V, 50Hz, 2 W PTC consumption incl., fan cooling F₁

| | | | | | | | | | | | | | | | | | |
|--------------------|-----|------|------|------|------|-------|------|------|------|------|------|------|------|-----|----|----|----|
| Evap. temp. in °C | -45 | -40 | -35 | -30 | -25 | -23.3 | -20 | -15 | -10 | -6.7 | -5 | 0 | 5 | 7.2 | 10 | 15 | 20 |
| Capacity in W | | 131 | 186 | 249 | 324 | 352 | 410 | 511 | 627 | 713 | 760 | 910 | 1081 | | | | |
| Power cons. in W | | 149 | 174 | 198 | 221 | 229 | 244 | 267 | 281 | 307 | 316 | 343 | 372 | | | | |
| Current cons. in A | | 1.40 | 1.43 | 1.48 | 1.54 | 1.56 | 1.61 | 1.69 | 1.78 | 1.85 | 1.89 | 2.00 | 2.13 | | | | |
| COP in W/W | | 0.88 | 1.07 | 1.26 | 1.46 | 1.54 | 1.68 | 1.91 | 2.16 | 2.32 | 2.40 | 2.65 | 2.90 | | | | |



| Accessories for | NL7CN | Figure | Code number |
|-------------------------------|-------------------------|---------|-------------|
| PTC starting device | 6.3 mm spade connectors | a1 | 103N0011 |
| | 4.8 mm spade connectors | (pos.1) | 103N0018 |
| PTC starting device | 6.3 mm spade connectors | a1 | 103N0016 |
| | 4.8 mm spade connectors | (pos.2) | 103N0021 |
| Starting relay | 6.3 mm spade connectors | a2 | 117U7002 |
| Start. capacitor 80 µF | 6.3 mm spade connectors | c | 117U5015 |
| Cover | | b | 103N2010 |
| Cord relief | | d | 103N1010 |
| Run capacitor 4 µF (optional) | 6.3 mm spade connectors | e | 117-7117 |
| | 4.8 mm spade connectors | e | 117-7119 |
| Protection screen for PTC | | g | 103N0476 |

| Test conditions | EN 12900/CECOMAF* | ASHRAE LBP* |
|-------------------------|-------------------|-------------|
| Condensing temperature | 45°C | 45°C |
| Ambient temperature | 32°C | 32°C |
| Suction gas temperature | 32°C | 32°C |
| Liquid temperature | no subcooling | 32°C |

| Mounting accessories | Code number | |
|--------------------------|-------------|----------|
| Bolt joint for one comp. | Ø: 16 mm | 118-1917 |
| Bolt joint in quantities | Ø: 16 mm | 118-1918 |
| Snap-on in quantities | Ø: 16 mm | 118-1919 |

Secop accepts no responsibility for possible errors in catalogs, brochures, and other printed material. Secop reserves the right to alter its products without notice. This also applies to products already on order provided that such alterations can be made without subsequent changes being necessary to specifications already agreed. All trademarks in this material are the property of the respective companies. Secop and the Secop logotype are trademarks of Secop GmbH. All rights reserved. www.secop.com



NL Compressors

SECOP





Service/Repair – R600a, R290



8545

Brazing on Suction Connectors (Direct Intake)

representative image



**! max. 150°C/302°F !
at socket**
brazing solder: phosphor (LP7) or silver

Refer to Product Bulletin:
**Brazing on Suction Connectors
(Compressors with Direct Suction Intake)**

Secop accepts no responsibility for possible errors in catalogs, brochures, and other printed material. Secop reserves the right to alter its products without notice. This also applies to products already on order provided that such alterations can be made without subsequential changes being necessary to specifications already agreed. All trademarks in this material are the property of the respective companies. Secop and the Secop logotype are trademarks of Secop GmbH. All rights reserved. www.secop.com