

Single Packs

SECOP

Single Pack SLV15CNK.2 220-240V 50Hz / 208-230V 60Hz PM

Single pack code number: **195B4269**

| Position | Title | Code | Amount |
|----------|--|----------|--------|
| 1 | Compressor SLV15CNK.2 | 104H8541 | 1 |
| 2 | Electronic unit | 105N4600 | 1 |
| 3 | Cover | 103N2008 | 1 |
| 4 | Bolt joint for one compressor M6 ø16mm | 118-1917 | 1 |

Secop GmbH • Lise-Meitner-Straße 29 • 24941 Flensburg, Germany • Tel: +49 461 4941 0 • www.secop.com

Secop accepts no responsibility for possible errors in catalogs, brochures, and other printed material. Secop reserves the right to alter its products without notice. This also applies to products already on order provided that such alterations can be made without subsequent changes being necessary to specifications already agreed. All trademarks in this material are the property of the respective companies. Secop and the Secop logotype are trademarks of Secop GmbH. All rights reserved.

SLV15CNK.2 Variable Speed Drive Compressor R290

220-240V 50/60Hz

- with 105N46xx Series Controllers



Application **SLV15CNK.2** **SECO^P**

Red stripe **R290**

Only with SLV controller

Barcode on white background

Grey background

Country of origin or manufacturer

serial number **104H 8541**

CE

Made by Secop

General

| | |
|---------------------------------------|----------------------------|
| Code number (without electronic unit) | 104H8541 |
| Electronic unit | 105N46xx series controller |
| Approvals | EN 60335-2-34, CCC |
| Compressors on pallet | 80 |

Application

| Application | LBP | | |
|--|-----|------------|------------|
| Frequency | Hz | 50 | 60 |
| Evaporating temperature | °C | -40 to -10 | -40 to -10 |
| Voltage range | V | 180 - 254 | 180 - 254 |
| Max. condensing temperature continuous (short) | °C | 55 (65) | 55 (65) |
| Max. winding temperature continuous (short) | °C | 125 (135) | 125 (135) |

Cooling requirements

| Frequency | Hz | 50 | | | 60 | | |
|-------------|----|----------------|-----|-----|----------------|-----|-----|
| Application | | LBP | MBP | HBP | LBP | MBP | HBP |
| 32°C | | F ₂ | - | - | F ₂ | - | - |
| 38°C | | F ₂ | - | - | F ₂ | - | - |
| 43°C | | F ₂ | - | - | F ₂ | - | - |

Remarks on application: LST only, airflow on compressor and electronic unit: 3m/s

Features

| | | |
|-------------|-----|---------------------------------------|
| Speed range | rpm | 2000 - 4000 |
| Thermostat | | - integrated - electronic |
| Protections | | - current - speed - temperature |
| Remarks: | | |

Motor

| | | |
|-----------------------------------|---|--------------------|
| Motor type | | permanent magnet |
| LRA (rated after 4 sec. UL984), | A | electronic cut off |
| Maximum current | A | 4.6 |
| Resistance, all 3 windings (25°C) | Ω | 7.7 |

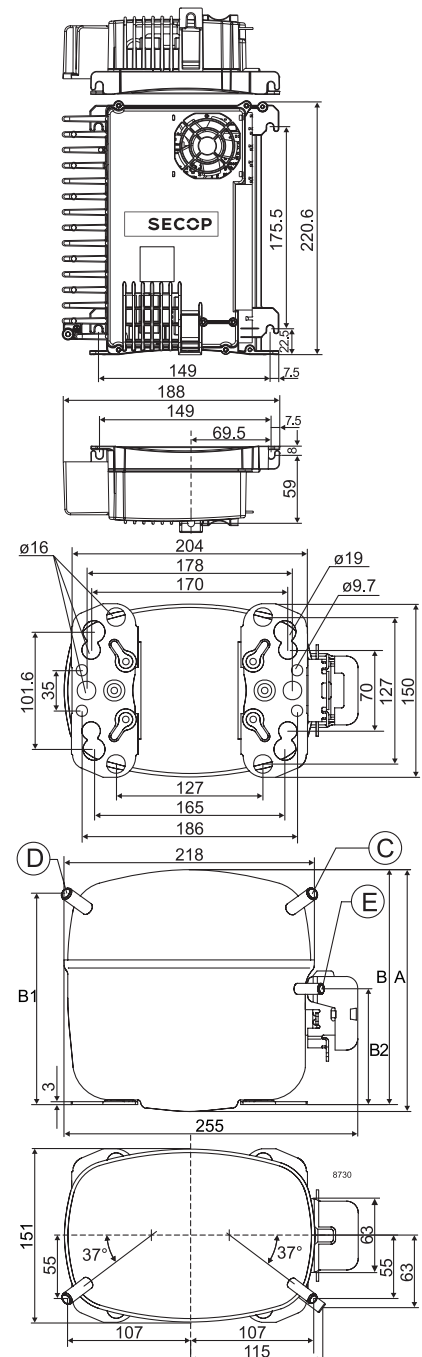
Design

| | | |
|-------------------------------------|-----------------|-------------------|
| Displacement | cm ³ | 15.28 |
| Oil quantity (type) | cm ³ | 600 (polyolester) |
| Maximum refrigerant charge | g | 150 |
| Free gas volume in compressor | cm ³ | 1510 |
| Weight - Compressor/Electronic unit | kg | 12.0/1.4 |

Dimensions

| | | | |
|----------------------|--------------------------|----|----------------------|
| Height | mm | A | 199 |
| | | B | 193 |
| | | B1 | 173 |
| | | B2 | 90 |
| Suction connector | location/I.D. mm angle | C | 10.2 37° |
| | material seal | | Copper Rubber plug |
| Process connector | location/I.D. mm angle | D | 6.2 37° |
| | material seal | | Copper Rubber plug |
| Discharge connector | location/I.D. mm angle | E | 6.2 37° |
| | material seal | | Copper Rubber plug |
| Oil cooler connector | location/I.D. mm angle | F | - |
| | material seal | | - |
| Connector tolerance | I.D. mm | | ±0.09 |
| Remarks: | | | |

- S = Static cooling normally sufficient
- O = Oil cooling
- F₁ = Fan cooling 1.5 m/s
(compressor compartment temp. equal to ambient temperature)
- F₂ = Fan cooling 3.0 m/s necessary
- SG = Suction gas cooling normally sufficient
- = not applicable in this area



2,000 rpm EN 12900 Household (CECOMAF)* 220V, 50Hz, fan cooling F₂

| | | | | | | | | | | | | | | | | | |
|--------------------|-----|------|------|------|------|-------|------|------|------|------|----|---|---|-----|----|----|----|
| Evap. temp. in °C | -45 | -40 | -35 | -30 | -25 | -23.3 | -20 | -15 | -10 | -6.7 | -5 | 0 | 5 | 7.2 | 10 | 15 | 20 |
| Capacity in W | | 175 | 236 | 311 | 402 | 437 | 510 | 638 | 786 | | | | | | | | |
| Power cons. in W | | 192 | 229 | 266 | 303 | 315 | 338 | 372 | 402 | | | | | | | | |
| Current cons. in A | | 1.01 | 1.19 | 1.37 | 1.54 | 1.60 | 1.70 | 1.86 | 2.01 | | | | | | | | |
| COP in W/W | | 0.91 | 1.03 | 1.17 | 1.33 | 1.39 | 1.51 | 1.72 | 1.96 | | | | | | | | |

2,500 rpm EN 12900 Household (CECOMAF)* 220V, 50Hz, fan cooling F₂

| | | | | | | | | | | | | | | | | | |
|--------------------|-----|------|------|------|------|-------|------|------|------|------|----|---|---|-----|----|----|----|
| Evap. temp. in °C | -45 | -40 | -35 | -30 | -25 | -23.3 | -20 | -15 | -10 | -6.7 | -5 | 0 | 5 | 7.2 | 10 | 15 | 20 |
| Capacity in W | | 218 | 297 | 393 | 509 | 553 | 645 | 805 | 990 | | | | | | | | |
| Power cons. in W | | 242 | 284 | 327 | 371 | 385 | 414 | 455 | 493 | | | | | | | | |
| Current cons. in A | | 1.18 | 1.39 | 1.60 | 1.80 | 1.87 | 2.01 | 2.22 | 2.42 | | | | | | | | |
| COP in W/W | | 0.90 | 1.05 | 1.20 | 1.37 | 1.43 | 1.56 | 1.77 | 2.01 | | | | | | | | |

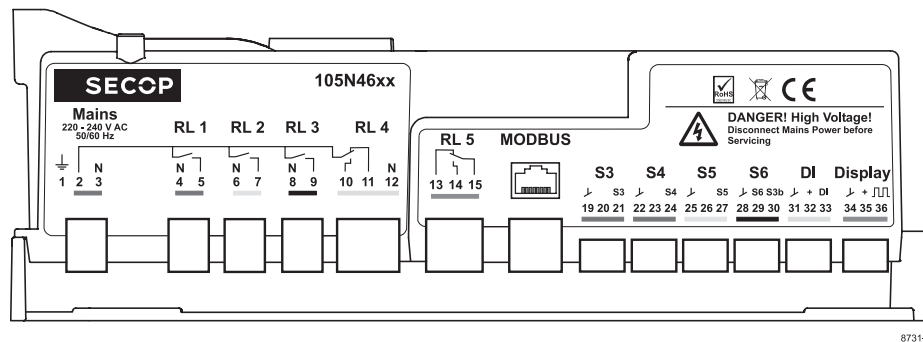
3,000 rpm EN 12900 Household (CECOMAF)* 220V, 50Hz, fan cooling F₂

| | | | | | | | | | | | | | | | | | |
|--------------------|-----|------|------|------|------|-------|------|------|------|------|----|---|---|-----|----|----|----|
| Evap. temp. in °C | -45 | -40 | -35 | -30 | -25 | -23.3 | -20 | -15 | -10 | -6.7 | -5 | 0 | 5 | 7.2 | 10 | 15 | 20 |
| Capacity in W | | 258 | 353 | 467 | 602 | 652 | 759 | 941 | 1151 | | | | | | | | |
| Power cons. in W | | 271 | 331 | 388 | 441 | 458 | 489 | 533 | 571 | | | | | | | | |
| Current cons. in A | | 1.34 | 1.57 | 1.80 | 2.03 | 2.11 | 2.26 | 2.50 | 2.73 | | | | | | | | |
| COP in W/W | | 0.95 | 1.07 | 1.21 | 1.37 | 1.43 | 1.55 | 1.77 | 2.02 | | | | | | | | |

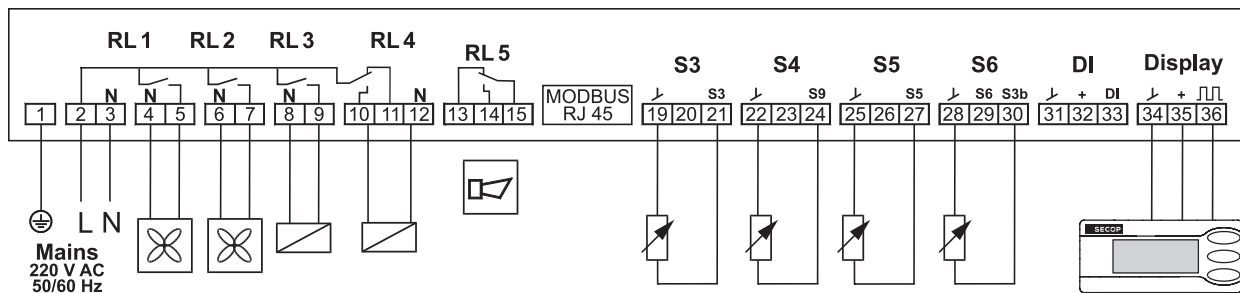
4,000 rpm EN 12900 Household (CECOMAF)* 220V, 50Hz, fan cooling F₂

| | | | | | | | | | | | | | | | | | |
|--------------------|-----|------|------|------|------|-------|------|------|------|------|----|---|---|-----|----|----|----|
| Evap. temp. in °C | -45 | -40 | -35 | -30 | -25 | -23.3 | -20 | -15 | -10 | -6.7 | -5 | 0 | 5 | 7.2 | 10 | 15 | 20 |
| Capacity in W | | 325 | 460 | 615 | 792 | 858 | 996 | 1228 | 1494 | | | | | | | | |
| Power cons. in W | | 355 | 436 | 512 | 583 | 607 | 650 | 713 | 771 | | | | | | | | |
| Current cons. in A | | 1.68 | 2.02 | 2.36 | 2.68 | 2.78 | 2.99 | 3.28 | 3.56 | | | | | | | | |
| COP in W/W | | 0.92 | 1.06 | 1.20 | 1.36 | 1.42 | 1.53 | 1.72 | 1.94 | | | | | | | | |

Terminal Area 105N46xx Series Controller



- Mains red
- RL 1 blue
- RL 2 yellow
- RL 3 black
- RL 4 grey
- RL 5 green
- S3 red
- S4 blue
- S5 yellow
- S6 black
- DI grey
- Display green



| Accessories for | SLV15CNK.2 | Code number |
|-------------------------------|------------|-------------|
| Cover | | 103N2008 |
| Mounting accessories | | Code number |
| Bolt joint for one compressor | Ø: 16 mm | 118-1917 |
| Bolt joint in quantities | Ø: 16 mm | 118-1918 |
| Snap-on in quantities | Ø: 16 mm | 118-1919 |

| Test conditions | EN 12900/CECOMAF* |
|-------------------------|-------------------|
| Condensing temperature | 45°C |
| Ambient temperature | 32°C |
| Suction gas temperature | 32°C |
| Liquid temperature | no subcooling |

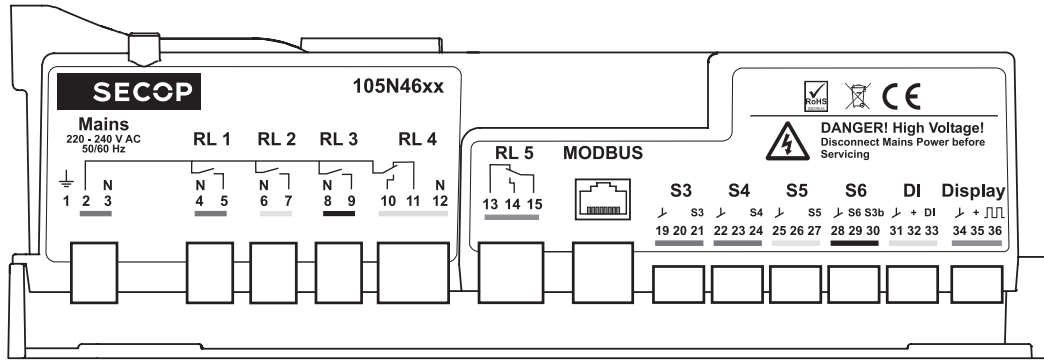
Secop accepts no responsibility for possible errors in catalogs, brochures, and other printed material. Secop reserves the right to alter its products without notice. This also applies to products already on order provided that such alterations can be made without subsequential changes being necessary to specifications already agreed. All trademarks in this material are the property of the respective companies. Secop and the Secop logotype are trademarks of Secop GmbH. All rights reserved. www.secop.com



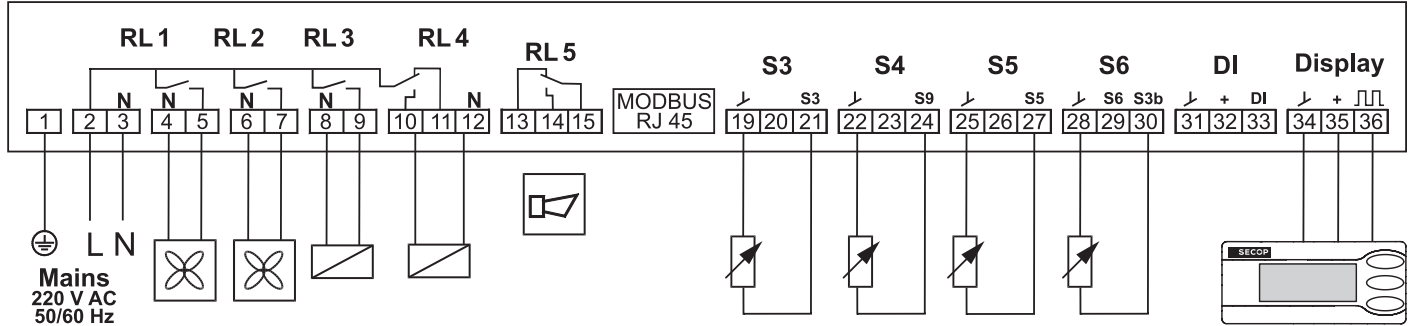
Instructions

SLV Compressors
220-240V 50/60Hz
105N46xx
Series Controllers

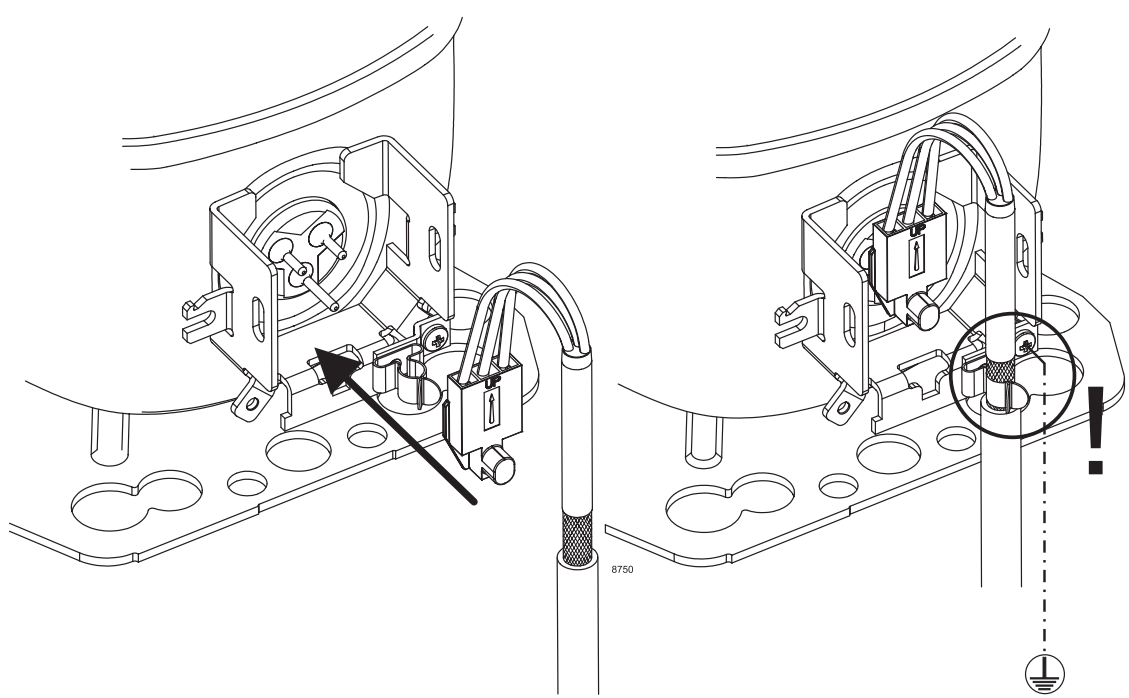
SECCP



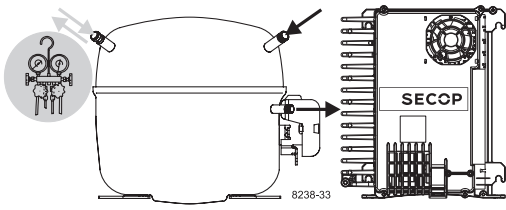
8731-3



| | | | |
|--------------|--------|----------------|--------|
| Mains | red | S3 | red |
| RL 1 | blue | S4 | blue |
| RL 2 | yellow | S5 | yellow |
| RL 3 | black | S6 | black |
| RL 4 | grey | DI | grey |
| RL 5 | green | Display | green |



8750



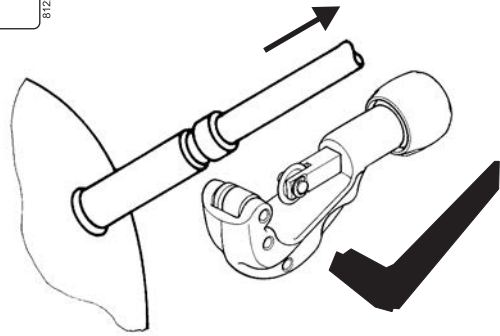
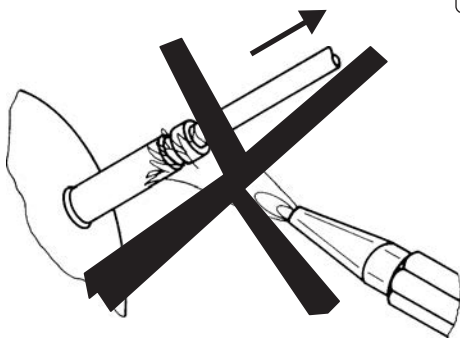
Instructions

SLV Compressors
220-240V 50/60Hz
105N46xx
Series Controllers

SECCP



Service/Repair – R290



8545

min. 3 m/s !



| | |
|--------------------------------------|---|
| Airflow | 3 m/s |
| Operating conditions | -10 °C to 43 °C - humidity < 90 % rH non condensing |
| Operating conditions 105N4630 | + 5 °C to 43 °C - humidity < 90 % rH non condensing |
| Storage conditions | -20 °C to 70 °C - humidity < 90 % rH non condensing |
| Supply voltage | 230 V (+15 % / - 20 %) |
| Frequency | 50/60 Hz |
| Input power rating | 1000 W at 230 V (+15 % / - 20 %) |

Secop accepts no responsibility for possible errors in catalogs, brochures, and other printed material. Secop reserves the right to alter its products without notice. This also applies to products already on order provided that such alterations can be made without subsequent changes being necessary to specifications already agreed. All trademarks in this material are the property of the respective companies. Secop and the Secop logotype are trademarks of Secop GmbH. All rights reserved. www.secop.com