

Single Pack NLE11CNL 115-127V 60Hz CSIR

Single pack code number: **195B4305**

Position	Title	Code	Amount
1	Compressor NLE11CNL	105H5983	1
2	Bolt joint for one compressor M6 ø16mm	118-1917	1

Secop GmbH • Lise-Meitner-Straße 29 • 24941 Flensburg, Germany • Tel: +49 461 4941 0 • www.secop.com

Secop accepts no responsibility for possible errors in catalogs, brochures, and other printed material. Secop reserves the right to alter its products without notice. This also applies to products already on order provided that such alterations can be made without subsequent changes being necessary to specifications already agreed. All trademarks in this material are the property of the respective companies. Secop and the Secop logotype are trademarks of Secop GmbH. All rights reserved.

Model

Designation	NLE11CNL	115-127V/60Hz 1~	Sales code:	105H5983
-------------	-----------------	------------------	-------------	-----------------

Compressor design

Oil type	Polyolester	Refrigerant(s)	R290
Oil viscosity	32cST	Displacement	11,15cm ³ / 0,68cu.in
Oil quantity	298cm ³ / 10,1fl.oz	Compressors on pallet	80
Refr. charge - tech. limit	400g / 14,1oz		
Free gas volume comp.	2360cm ³ / 79,8fl.oz		
Weight	12,14kg / 26,8lbs		
Motor protection	1# internal		
Winding resistance main	1,1Ω (at 25°C)		
Winding resistance aux	3,61Ω (at 25°C)		
Max. winding temp.	125°C / 257°F		
Max. discharge temp.	130°C / 266°F		



General - Configurations with NLE11CNL

	Conf. 1
Motorconfiguration	CSIR
Power supply (nominal)	115V/60Hz
Number of phases	1
Voltage range	95-135V
Approvals	UL, CCC
Starting torque	HST
Note	Electrical equipment is included and pre-assembled to compressor.

Applications with NLE11CNL

	Conf. 1
Refrigerant	R290
Application	LBP
System cooling	fan 3m/s
Hot gas defrost	OK
Long interval pull down	-/-

Electrical data - Configurations with NLE11CNL

	Conf. 1
Starting device type	relay
Run capacitor	-/-
Start capacitor	180μF
LRA (locked rotor amps / 4s)	28,67A
RLA (rated load amps / 1s)	5,74A
Cut in current	28,67A

Model

Designation

NLE11CNL

115-127V/60Hz 1~

Sales code:

105H5983

Compressor dimensions

Housing	A Height	203mm / 7,99in
	B Height	197mm / 7,76in
	C Length shell	205mm / 8,07in
	D Length w. cover	254mm / 10in
	E Width	166mm / 6,54in

Connectors		Suction	Discharge	Process
		X	Y	Z
Diameter	[mm]	øi 8,11-8,29	øi 6,41-6,59	øi 6,41-6,59
	(i:inside, o:outside) [in]	øi 0,32-0,33	øi 0,25-0,26	øi 0,25-0,26
Material		copper	copper	copper
Horizontal angle	±2°	0°	0°	0°
Vertical angle	±2°	15°	21°	155°
Position l/h/w	[mm]	132/69/57	94/102/81	-109/94/72
	[in]	5,2/2,7/2,2	3,7/4/3,2	-4,3/3,7/2,8
Straight tube l.	[mm]	12	12	12
	[in]	0,5	0,5	0,5



Compressor fixation



Bolt joint



Snap-on



Mounting accessories

	one comp.	multi pack
Bolt joint M6 ø16mm	118-1917	118-1918
Bolt joint ø1/4" ø16mm	118-1946	
Bolt joint ø1/4" ø19mm	118-1949	
Snap-on ø7,3 ø16mm	118-1947	118-1919

Application notes

LRA value on compressor label and datasheet may differ due to different test conditions for UL approval.

Provision for PE Grounding is located at the PE Stamp on the compressor

Model

Designation	NLE11CNL	115V/60Hz	Conf. 1	Sales code:	105H5983
-------------	-----------------	------------------	----------------	-------------	-----------------

Configuration

Motorconfiguration	CSIR	
Power supply (nominal)	115V/60Hz 1~	
Refrigerant	R290	
Application	LBP	
Voltage range	95-135V	
Starting torque	HST	
Approvals	UL	SA3693
	CCC	

Electrical accessories / wiring diagram



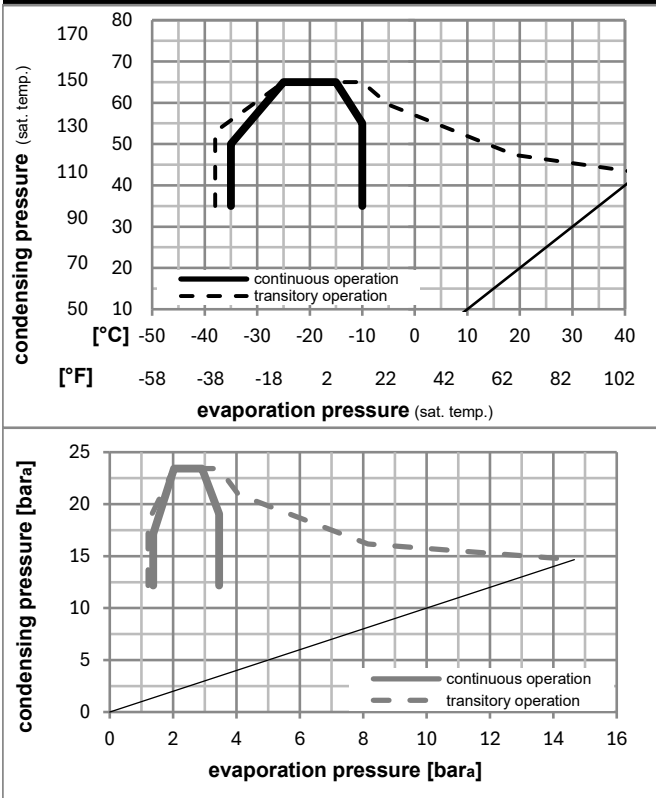
Ambient/ machine room temperatures minimum /maximum

Ambient temperature range: 10 - 43°C / 50 - 110°F

Machine room temperature range: 10 - 48°C / 50 - 119°F

Compressor cooling: fan 3m/s

Operation pressure range



Components (already pre-assembled)

a2	relay	117U7020
c	start capacitor (180µF)	117U5039
b	plastic cover	103N2011
d	cord relief	103N1010

Model

Designation	NLE11CNL	115V/60Hz	Conf. 1	Sales code:	105H5983
-------------	-----------------	------------------	----------------	-------------	-----------------

Optimization + standard conditions

R290, 115V/60Hz, CSIR, fan 3m/s, UL, CCC

	Evaporating pressure (saturation temperature)				Cooling capacity			COP	EER	P1	Power consumption		ASHRAE LBP	
	pe	pc	RGT	Tliq	[W]	[Btu/h]	[kcal/h]				I	m		
	[°C]	[°F]	[°C]	[°F]	[W]	[Btu/h]	[kcal/h]	[W/W]	[Btu/Wh]	[kcal/Wh]	[W]	[A]	[kg/h]	
	-23	54	32	32	670,7	2291	577,2	1,62	5,54	1,40	413,7	4,80	6,79	ASHRAE LBP
	-10	130	90	90										
	-25	55	32	55	502,3	1715	432,3	1,26	4,31	1,09	398,2	4,68	6,25	cecomaf LBP
	-13	131	90	131										
	-35	40	20	40	384,3	1312	330,7	1,29	4,41	1,11	297,9	4,04	4,39	EN12900 LBP
	-31	104	68	104										
	-23	49	4,4	49	544,2	1859	468,3	1,35	4,60	1,16	403,8	4,73	7,54	ARI540 LBP
	-10	120	40	120										
	-23	41	32	32	723,3	2470	622,5	1,89	6,44	1,62	383,6	4,61	7,32	AHAM LBP
	-10	105	90	90										
	-35	45	32	45	366,5	1252	315,4	1,22	4,18	1,05	299,5	4,05	4,11	opt
	-31	113	90	113										

Performance tables

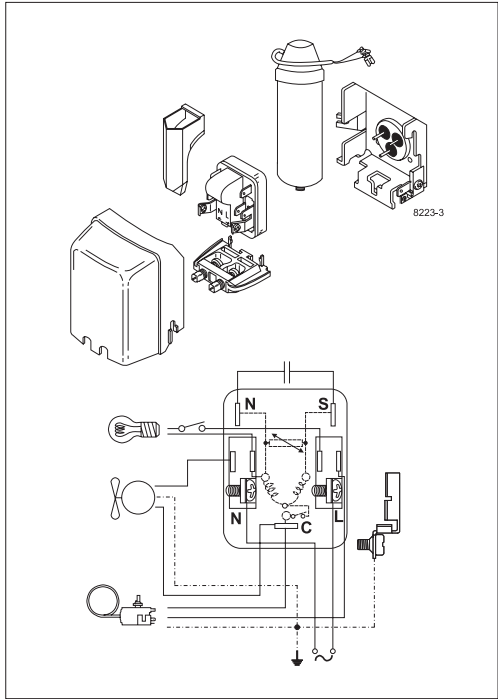
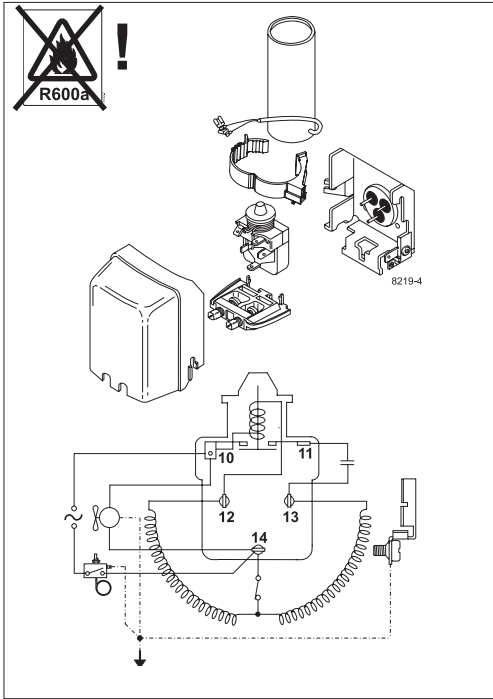
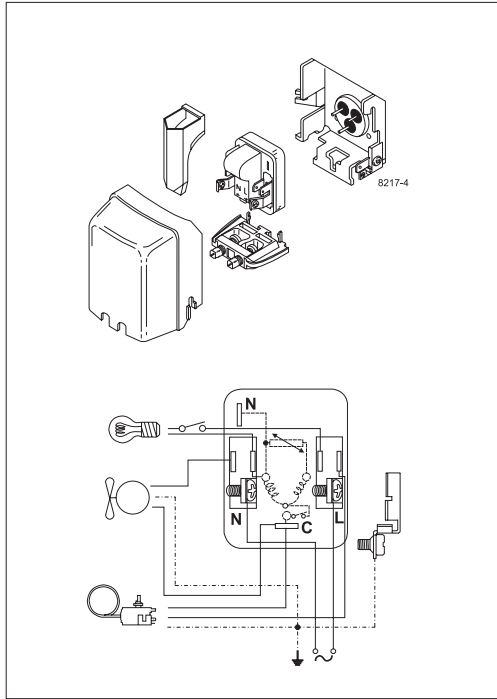
R290, 115V/60Hz, CSIR, fan 3m/s, UL, CCC

	pe		Cooling capacity			COP	EER		P1	I	m
	[°C]	[°F]	[W]	[Btu/h]	[kcal/h]	[W/W]	[Btu/Wh]	[kcal/Wh]	[W]	[A]	[kg/h]
[°C / °F]	-35	-31	366,5	1252	315,4	1,22	4,18	1,05	299,5	4,05	4,11
cond. pressure	-29	-20	490,1	1674	421,8	1,40	4,77	1,20	350,9	4,35	5,51
pc= 45/113	-26	-15	558,6	1908	480,8	1,50	5,11	1,29	373,2	4,51	6,29
return gas temp.	-23	-10	634,4	2167	546,0	1,61	5,48	1,38	395,1	4,67	7,16
RGT= 32/90	-21	-5	717,2	2449	617,2	1,72	5,88	1,48	416,9	4,85	8,12
liquid temp	-15	5	902,2	3081	776,4	1,96	6,68	1,68	461,0	5,21	10,26
Tliq= 45/113	-10	14	1089,3	3720	937,4	2,17	7,40	1,87	502,6	5,52	12,46
[°C / °F]	-35	-31	309,9	1058	266,7	1,05	3,59	0,91	294,5	4,07	3,83
cond. pressure	-29	-20	416,3	1422	358,3	1,16	3,96	1,00	359,2	4,42	5,17
pc= 55/131	-26	-15	476,3	1627	409,9	1,23	4,20	1,06	387,2	4,60	5,93
return gas temp	-23	-10	543,1	1855	467,4	1,31	4,47	1,13	414,6	4,80	6,77
RGT= 32/90	-21	-5	616,4	2105	530,5	1,40	4,77	1,20	441,6	5,01	7,71
liquid temp	-15	5	781,1	2668	672,3	1,58	5,38	1,36	495,6	5,46	9,82
Tliq= 55/131	-10	14	948,3	3239	816,1	1,74	5,94	1,50	545,5	5,87	12,00



8238-20

NL Compressors





Service/Repair – R600a, R290



8545

Brazing on Suction Connectors (Direct Intake)

representative image



**! max. 150°C/302°F !
at socket**
brazing solder: phosphor (LP7) or silver

Refer to Product Bulletin:
**Brazing on Suction Connectors
(Compressors with Direct Suction Intake)**

Secop accepts no responsibility for possible errors in catalogs, brochures, and other printed material. Secop reserves the right to alter its products without notice. This also applies to products already on order provided that such alterations can be made without subsequential changes being necessary to specifications already agreed. All trademarks in this material are the property of the respective companies. Secop and the Secop logotype are trademarks of Secop GmbH. All rights reserved. www.secop.com