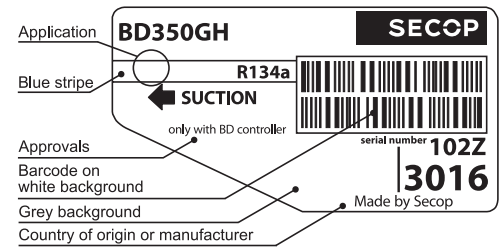


## Single Pack BD350GH 12/24V DC PM

Single pack code number: **195B4322**

| Position | Title                                      | Code     | Amount |
|----------|--|----------|--------|
| 1        | Compressor BD350GH                         | 102Z3016 | 1      |
| 2        | Bolt joint for one compressor   M6   ø16mm | 118-1917 | 1      |

## BD350GH Direct Current Compressor R134a 24V DC - with 101N07xx Series Controllers



### General

|  |                            |
|--|----------------------------|
| Code number (without electronic units) | 102Z3016                   |
| Electronic unit                        | 101N0715, 36 pcs: 101N0714 |
| Approvals                              | -                          |
| Compressors on pallet                  | 125                        |

### Application

|   |             |  |
|---|-------------|--|
| Application                                       | LBP/MBP/HBP |  |
| Evaporating temperature °C                        | -25 to 15   |  |
| Voltage range VDC                                 | 19 - 31.5   |  |
| Max. condensing temperature continuous (short) °C | 60 (70)     |  |
| Max. winding temperature continuous (short) °C    | 125 (135)   |  |

- S = Static cooling normally sufficient
- O = Oil cooling
- F<sub>1</sub> = Fan cooling 1.5 m/s  
(compressor compartment temperature equal to ambient temperature)
- F<sub>2</sub> = Fan cooling 3.0 m/s necessary
- SG = Suction gas cooling normally sufficient
- = not applicable in this area

### Cooling requirements

|  |                |                |                |
|--|----------------|----------------|----------------|
| Application  | LBP            | MBP            | HBP            |
| 32°C   | F <sub>1</sub> | F <sub>1</sub> | F <sub>1</sub> |
| 38°C   | F <sub>1</sub> | F <sub>1</sub> | F <sub>1</sub> |
| 43°C   | F <sub>1</sub> | F <sub>1</sub> | F <sub>1</sub> |
| Remarks on application:<br>- evaporator fan max. 60W<br>- condenser fan max. 40W<br>- starting ability: LST (low starting torque) only |                |                |                |

### Motor

|                                     |                |
|-------------------------------------|----------------|
| Motor type                          | variable speed |
| Resistance, all 3 windings (25°C) Ω | 0.2            |

### Design

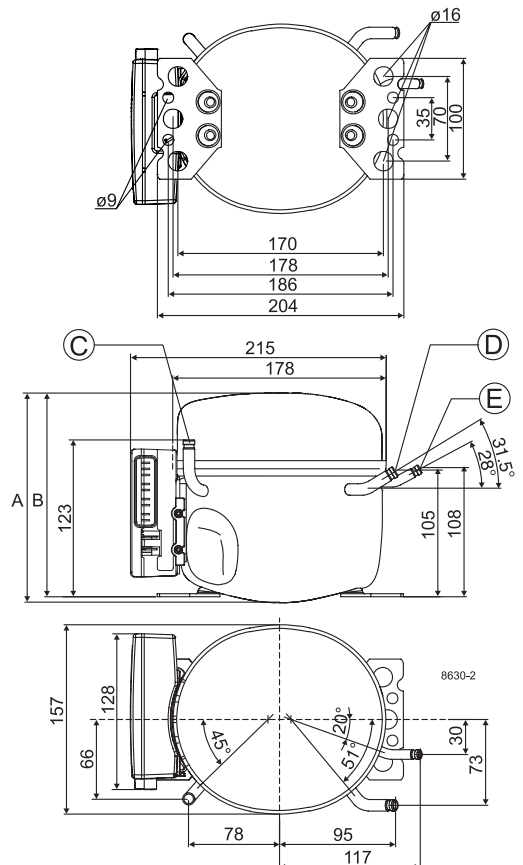
|   |                   |
|---|-------------------|
| Displacement cm <sup>3</sup>                  | 5.08              |
| Oil quantity (type) cm <sup>3</sup>           | 280 (polyolester) |
| Maximum refrigerant charge g                  | 400               |
| Free gas volume in compressor cm <sup>3</sup> | 1690              |
| Weight - Compressor/Electronic unit kg        | 7.9/0.27          |

### Battery protection settings

|                              |            |         |            |
|------------------------------|------------|---------|------------|
| Voltage                      | Min. value | Default | Max. value |
| Cut out (0.1 steps) VDC      | 19.0       | 21.1    | 27.0       |
| Cut in diff. (0.1 steps) VDC | 0.5        | 3.9     | 10.0       |

### Dimensions

|  |                           |                          |
|--|---------------------------|--------------------------|
| Height mm                                    | A                         | 173                      |
|  | B                         | 169                      |
|  | B1                        | -                        |
|  | B2                        | -                        |
| Suction connector location/I.D. mm   angle   | C                         | 6.2   90°                |
|  | material   comment        | Cu-plated steel   Al cap |
| Process connector location/I.D. mm   angle   | D                         | 6.2   31.5°              |
|  | material   comment        | Cu-plated steel   Al cap |
| Discharge connector location/I.D. mm   angle | E                         | 5.0   28°                |
|  | material   comment        | Cu-plated steel   Al cap |
| Connector tolerance I.D. mm                  | ±0.09, on 5.0 +0.12/+0.20 |                          |
| Remarks                                      |                           |                          |



**Capacity (EN 12900 Household/CECOMAF) 24V DC, fan cooling F<sub>1</sub> watt**

|          |      |       |     |     |     |      |     |     |     |     |     |     |
|----------|------|-------|-----|-----|-----|------|-----|-----|-----|-----|-----|-----|
| rpm \ °C | -25  | -23.3 | -20 | -15 | -10 | -6.7 | -5  | 0   | 5   | 7.2 | 10  | 15  |
| 2,500    | 84.7 | 93.7  | 113 | 147 | 188 | 219  | 236 | 292 | 358 | 390 | 434 | 520 |
| 3,000    | 101  | 112   | 136 | 176 | 225 | 262  | 283 | 351 | 430 | 468 | 521 | 625 |
| 3,500    | 114  | 126   | 152 | 198 | 254 | 296  | 319 | 396 | 485 | 528 | 588 | 706 |
| 4,000    | 126  | 139   | 169 | 220 | 282 | 329  | 355 | 440 | 540 | 588 | 654 | 786 |

**Capacity (ASHRAE LBP) 24V DC, fan cooling F<sub>1</sub> watt**

|          |     |       |     |     |     |      |     |     |     |     |     |     |
|----------|-----|-------|-----|-----|-----|------|-----|-----|-----|-----|-----|-----|
| rpm \ °C | -25 | -23.3 | -20 | -15 | -10 | -6.7 | -5  | 0   | 5   | 7.2 | 10  | 15  |
| 2,500    | 105 | 116   | 140 | 182 | 233 | 271  | 292 | 363 | 445 | 485 | 539 | 648 |
| 3,000    | 126 | 139   | 168 | 219 | 279 | 325  | 351 | 435 | 534 | 582 | 648 | 779 |
| 3,500    | 141 | 156   | 188 | 246 | 314 | 366  | 395 | 491 | 602 | 656 | 731 | 879 |
| 4,000    | 156 | 173   | 209 | 273 | 349 | 407  | 440 | 546 | 670 | 731 | 814 | 979 |

**Power consumption 24V DC, fan cooling F<sub>1</sub> watt**

|          |      |       |      |     |     |      |     |     |     |     |     |     |
|----------|------|-------|------|-----|-----|------|-----|-----|-----|-----|-----|-----|
| rpm \ °C | -25  | -23.3 | -20  | -15 | -10 | -6.7 | -5  | 0   | 5   | 7.2 | 10  | 15  |
| 2,500    | 77.4 | 81.8  | 90.8 | 105 | 120 | 130  | 136 | 152 | 168 | 175 | 184 | 200 |
| 3,000    | 95.5 | 101   | 112  | 129 | 148 | 160  | 167 | 186 | 206 | 215 | 226 | 245 |
| 3,500    | 109  | 115   | 128  | 149 | 171 | 186  | 194 | 217 | 241 | 251 | 264 | 288 |
| 4,000    | 122  | 129   | 144  | 169 | 194 | 212  | 221 | 248 | 276 | 288 | 303 | 330 |

**Current consumption 24V DC, fan cooling F<sub>1</sub> A**

|          |      |       |      |      |      |      |      |       |       |       |       |       |
|----------|------|-------|------|------|------|------|------|-------|-------|-------|-------|-------|
| rpm \ °C | -25  | -23.3 | -20  | -15  | -10  | -6.7 | -5   | 0     | 5     | 7.2   | 10    | 15    |
| 2,500    | 3.23 | 3.41  | 3.78 | 4.38 | 5.01 | 5.43 | 5.66 | 6.32  | 7.00  | 7.29  | 7.67  | 8.33  |
| 3,000    | 3.98 | 4.20  | 4.66 | 5.39 | 6.15 | 6.67 | 6.95 | 7.76  | 8.58  | 8.94  | 9.40  | 10.21 |
| 3,500    | 4.52 | 4.79  | 5.34 | 6.21 | 7.12 | 7.75 | 8.08 | 9.05  | 10.03 | 10.46 | 11.01 | 11.98 |
| 4,000    | 5.07 | 5.38  | 6.02 | 7.03 | 8.10 | 8.82 | 9.20 | 10.34 | 11.48 | 11.99 | 12.63 | 13.75 |

**COP (EN 12900 Household/CECOMAF) 24V DC, fan cooling F<sub>1</sub> W/W**

|          |      |       |      |      |      |      |      |      |      |      |      |      |
|----------|------|-------|------|------|------|------|------|------|------|------|------|------|
| rpm \ °C | -25  | -23.3 | -20  | -15  | -10  | -6.7 | -5   | 0    | 5    | 7.2  | 10   | 15   |
| 2,500    | 1.09 | 1.15  | 1.25 | 1.40 | 1.56 | 1.68 | 1.74 | 1.93 | 2.13 | 2.23 | 2.36 | 2.60 |
| 3,000    | 1.06 | 1.11  | 1.21 | 1.37 | 1.53 | 1.64 | 1.70 | 1.88 | 2.09 | 2.18 | 2.31 | 2.55 |
| 3,500    | 1.05 | 1.09  | 1.19 | 1.33 | 1.48 | 1.59 | 1.65 | 1.82 | 2.01 | 2.10 | 2.22 | 2.45 |
| 4,000    | 1.03 | 1.08  | 1.17 | 1.31 | 1.45 | 1.55 | 1.61 | 1.77 | 1.96 | 2.05 | 2.16 | 2.38 |

**COP (ASHRAE LBP) 24V DC, fan cooling F<sub>1</sub> W/W**

|          |      |       |      |      |      |      |      |      |      |      |      |      |
|----------|------|-------|------|------|------|------|------|------|------|------|------|------|
| rpm \ °C | -25  | -23.3 | -20  | -15  | -10  | -6.7 | -5   | 0    | 5    | 7.2  | 10   | 15   |
| 2,500    | 1.36 | 1.42  | 1.55 | 1.74 | 1.95 | 2.09 | 2.17 | 2.40 | 2.67 | 2.79 | 2.95 | 3.27 |
| 3,000    | 1.32 | 1.38  | 1.51 | 1.70 | 1.90 | 2.04 | 2.12 | 2.35 | 2.61 | 2.73 | 2.89 | 3.20 |
| 3,500    | 1.30 | 1.36  | 1.48 | 1.66 | 1.85 | 1.98 | 2.05 | 2.27 | 2.52 | 2.63 | 2.79 | 3.08 |
| 4,000    | 1.28 | 1.34  | 1.45 | 1.62 | 1.81 | 1.93 | 2.00 | 2.22 | 2.45 | 2.56 | 2.71 | 2.99 |

| Test conditions         | EN 12900/CECOMAF | ASHRAE LBP |
|-------------------------|------------------|------------|
| Condensing temperature  | 55°C             | 54.4°C     |
| Ambient temperature     | 32°C             | 32°C       |
| Suction gas temperature | 32°C             | 32°C       |
| Liquid temperature      | no subcooling    | 32°C       |

**Operational errors**

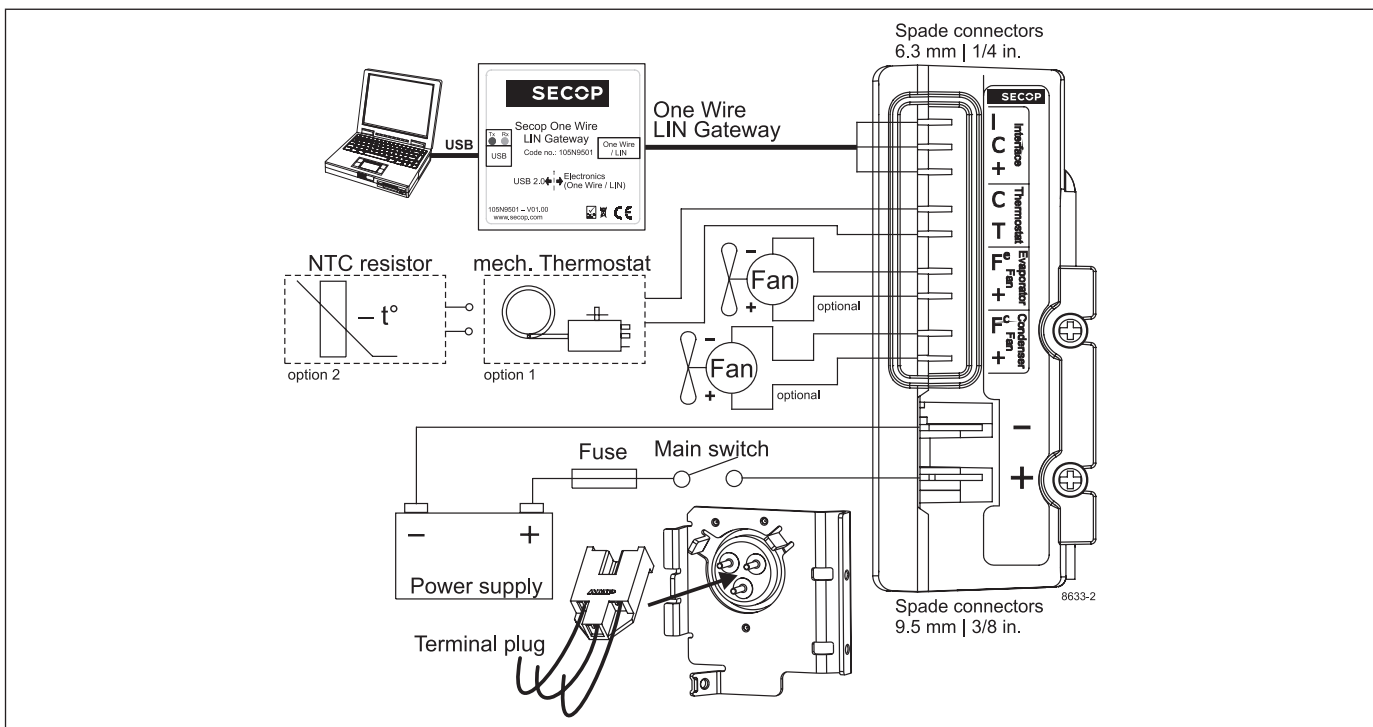
| Error code | Error type  |
|------------|---|
|            | Can be read out in the software <b>TOOL4COOL®</b>   |
| 6          | <b>Thermostat failure</b><br>(If the NTC thermistor is short-circuit or has no connection, the electronic unit will enter manual mode).   |
| 5          | <b>Thermal cut-out of electronic unit</b><br>(If the refrigeration system has been too heavily loaded, or if the ambient temperature is high, the electronic unit will run too hot).                      |
| 4          | <b>Minimum motor speed error</b><br>(If the refrigeration system is too heavily loaded, the motor cannot maintain minimum speed at approximately 1,850 rpm).  |
| 3          | <b>Motor start error</b><br>(The rotor is blocked or the differential pressure in the refrigeration system is too high).  |
| 2          | <b>Fan over-current cut-out</b><br>(The evaporator fan loads the electronic unit with more than 1.8A <sub>peak</sub> / the condenser fan loads the electronic unit with more than 2.5A <sub>peak</sub> ). |
| 1          | <b>Battery protection cut-out</b><br>(The voltage is outside the cut-out setting).  |

**Accessories for BD350GH**

| Mounting                               | Code number |
|--|-------------|
| Bolt joint for one compressor Ø: 16 mm | 118-1917    |
| Bolt joint in quantities Ø: 16 mm      | 118-1918    |
| Snap-on in quantities Ø: 16 mm         | 118-1919    |

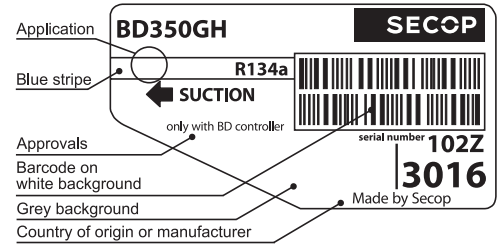
| Electrical (cables, sensors, etc.) | Code number |                    |
|------------------------------------|-------------|--------------------|
|                                    | Single pack | I - Pack           |
| Temperature sensor 470 mm          | 105N9612    | 105N9613, 200 pcs. |
| Temperature sensor 1000 mm         | 105N9614    | 105N9615, 100 pcs. |
| Temperature sensor 1500 mm         | 105N9616    | 105N9617, 100 pcs. |
| One Wire/LIN gateway               | 105N9501    | -                  |
| Comm. cable, 1500 mm               | -           | 105N9545, 100 pcs. |
| Comm. cable, 3000 mm               | -           | 105N9547, 50 pcs.  |

|                            |                   |
|----------------------------|-------------------|
| Not deliverable from Secop |                   |
| Slow-blow fuse             | 30A               |
| Main switch                | rated to min. 50A |



Secop accepts no responsibility for possible errors in catalogs, brochures, and other printed material. Secop reserves the right to alter its products without notice. This also applies to products already on order provided that such alterations can be made without consequential changes being necessary to specifications already agreed. All trademarks in this material are the property of the respective companies. Secop and the Secop logotype are trademarks of Secop GmbH. All rights reserved. [www.secop.com](http://www.secop.com)

## BD350GH Direct Current Compressor R134a 24V DC - with 101N08xx Series Controllers



### General

|  |                            |
|--|----------------------------|
| Code number (without electronic units) | 102Z3016                   |
| Compressor module                      | 101N0810, 30 pcs: 101N0811 |
| Application module                     | 101N0820, 30 pcs: 101N0821 |
| Approvals                              | -                          |
| Compressors on pallet                  | 125                        |

### Application

|  |             |           |
|--|-------------|-----------|
| Application                                    | LBP/MBP/HBP |           |
| Evaporating temperature                        | °C          | -25 to 15 |
| Voltage range                                  | VDC         | 19 - 31.5 |
| Max. condensing temperature continuous (short) | °C          | 60 (70)   |
| Max. winding temperature continuous (short)    | °C          | 125 (135) |

- S = Static cooling normally sufficient
- O = Oil cooling
- F<sub>1</sub> = Fan cooling 1.5 m/s  
(compressor compartment temperature equal to ambient temperature)
- F<sub>2</sub> = Fan cooling 3.0 m/s necessary
- SG = Suction gas cooling normally sufficient
- = not applicable in this area

### Cooling requirements

| Application | LBP            | MBP            | HBP            |
|-------------|----------------|----------------|----------------|
| 32°C        | F <sub>1</sub> | F <sub>1</sub> | F <sub>1</sub> |
| 38°C        | F <sub>1</sub> | F <sub>1</sub> | F <sub>1</sub> |
| 43°C        | F <sub>1</sub> | F <sub>1</sub> | F <sub>1</sub> |

Remarks on application:  
 - evaporator fan max. 200W  
 - condenser fan max. 100W  
 - starting ability: LST (low starting torque) only

### Motor

|                                   |                |
|-----------------------------------|----------------|
| Motor type                        | Variable speed |
| Resistance, all 3 windings (25°C) | Ω 0.2          |

### Design

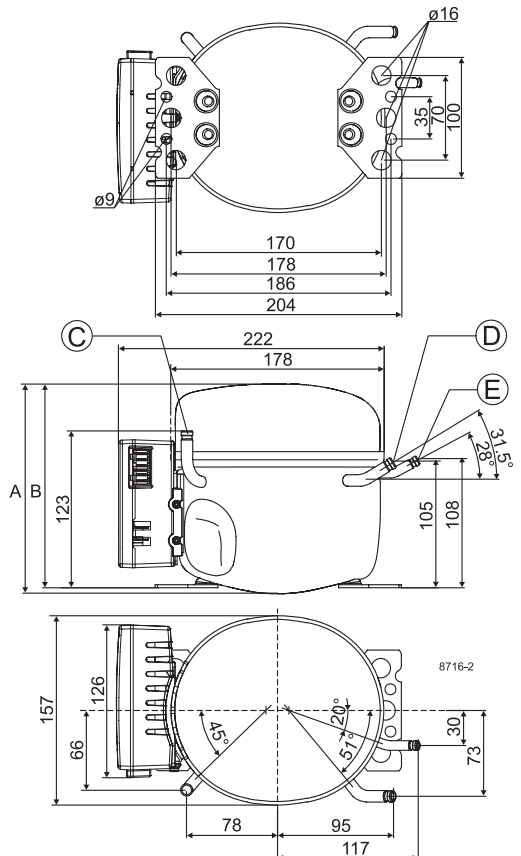
|                                     |                 |                             |
|-------------------------------------|-----------------|-----------------------------|
| Displacement                        | cm <sup>3</sup> | 5.08                        |
| Oil quantity (type)                 | cm <sup>3</sup> | 280 (polyolester)           |
| Maximum refrigerant charge          | g               | 400                         |
| Free gas volume in compressor       | cm <sup>3</sup> | 1690                        |
| Weight - Compressor/Electronic unit | kg              | 7.9 / 0.25 / 0.28 (101N820) |

### Battery protection settings

| Voltage                  | Min. value | Default | Max. value |
|--------------------------|------------|---------|------------|
| Cut out (0.1 steps)      | VDC 19.0   | 21.1    | 27.0       |
| Cut in diff. (0.1 steps) | VDC 0.5    | 3.9     | 10.0       |

### Dimensions

| Height              | mm                       | A  | 173                       |
|---------------------|--------------------------|----|---------------------------|
|                     |                          | B  | 169                       |
|                     |                          | B1 | -                         |
|                     |                          | B2 | -                         |
| Suction connector   | location/I.D. mm   angle | C  | 6.2   90°                 |
|                     | material   comment       |    | Cu-plated steel   Al cap  |
| Process connector   | location/I.D. mm   angle | D  | 6.2   31.5°               |
|                     | material   comment       |    | Cu-plated steel   Al cap  |
| Discharge connector | location/I.D. mm   angle | E  | 5.0   28°                 |
|                     | material   comment       |    | Cu-plated steel   Al cap  |
| Connector tolerance | I.D. mm                  |    | ±0.09, on 5.0 +0.12/+0.20 |



| Capacity (EN 12900 Household/CECOMAF) |      | 24V DC, fan cooling F <sub>1</sub> watt |     |     |     |      |     |     |     |     |     |     |
|---------------------------------------|------|---|-----|-----|-----|------|-----|-----|-----|-----|-----|-----|
| rpm \ °C                              | -25  | -23.3                                   | -20 | -15 | -10 | -6.7 | -5  | 0   | 5   | 7.2 | 10  | 15  |
| 2,500                                 | 84.7 | 93.7                                    | 113 | 147 | 188 | 219  | 236 | 292 | 358 | 390 | 434 | 520 |
| 3,000                                 | 101  | 112                                     | 136 | 176 | 225 | 262  | 283 | 351 | 430 | 468 | 521 | 625 |
| 3,500                                 | 114  | 126                                     | 152 | 198 | 254 | 296  | 319 | 396 | 485 | 528 | 588 | 706 |
| 4,000                                 | 126  | 139                                     | 169 | 220 | 282 | 329  | 355 | 440 | 540 | 588 | 654 | 786 |

| Capacity (ASHRAE LBP) |     | 24V DC, fan cooling F <sub>1</sub> watt |     |     |     |      |     |     |     |     |     |     |
|-----------------------|-----|---|-----|-----|-----|------|-----|-----|-----|-----|-----|-----|
| rpm \ °C              | -25 | -23.3                                   | -20 | -15 | -10 | -6.7 | -5  | 0   | 5   | 7.2 | 10  | 15  |
| 2,500                 | 105 | 116                                     | 140 | 182 | 233 | 271  | 292 | 363 | 445 | 485 | 539 | 648 |
| 3,000                 | 126 | 139                                     | 168 | 219 | 279 | 325  | 351 | 435 | 534 | 582 | 648 | 779 |
| 3,500                 | 141 | 156                                     | 188 | 246 | 314 | 366  | 395 | 491 | 602 | 656 | 731 | 879 |
| 4,000                 | 156 | 173                                     | 209 | 273 | 349 | 407  | 440 | 546 | 670 | 731 | 814 | 979 |

| Power consumption |      | 24V DC, fan cooling F <sub>1</sub> watt |      |     |     |      |     |     |     |     |     |     |
|-------------------|------|---|------|-----|-----|------|-----|-----|-----|-----|-----|-----|
| rpm \ °C          | -25  | -23.3                                   | -20  | -15 | -10 | -6.7 | -5  | 0   | 5   | 7.2 | 10  | 15  |
| 2,500             | 77.4 | 81.8                                    | 90.8 | 105 | 120 | 130  | 136 | 152 | 168 | 175 | 184 | 200 |
| 3,000             | 95.5 | 101                                     | 112  | 129 | 148 | 160  | 167 | 186 | 206 | 215 | 226 | 245 |
| 3,500             | 109  | 115                                     | 128  | 149 | 171 | 186  | 194 | 217 | 241 | 251 | 264 | 288 |
| 4,000             | 122  | 129                                     | 144  | 169 | 194 | 212  | 221 | 248 | 276 | 288 | 303 | 330 |

| Current consumption |      | 24V DC, fan cooling F <sub>1</sub> A |      |      |      |      |      |       |       |       |       |       |
|---------------------|------|--------------------------------------|------|------|------|------|------|-------|-------|-------|-------|-------|
| rpm \ °C            | -25  | -23.3                                | -20  | -15  | -10  | -6.7 | -5   | 0     | 5     | 7.2   | 10    | 15    |
| 2,500               | 3.23 | 3.41                                 | 3.78 | 4.38 | 5.01 | 5.43 | 5.66 | 6.32  | 7.00  | 7.29  | 7.67  | 8.33  |
| 3,000               | 3.98 | 4.20                                 | 4.66 | 5.39 | 6.15 | 6.67 | 6.95 | 7.76  | 8.58  | 8.94  | 9.40  | 10.21 |
| 3,500               | 4.52 | 4.79                                 | 5.34 | 6.21 | 7.12 | 7.75 | 8.08 | 9.05  | 10.03 | 10.46 | 11.01 | 11.98 |
| 4,000               | 5.07 | 5.38                                 | 6.02 | 7.03 | 8.10 | 8.82 | 9.20 | 10.34 | 11.48 | 11.99 | 12.63 | 13.75 |

| COP (EN 12900 Household/CECOMAF) |      | 24V DC, fan cooling F <sub>1</sub> W/W |      |      |      |      |      |      |      |      |      |      |
|----------------------------------|------|--|------|------|------|------|------|------|------|------|------|------|
| rpm \ °C                         | -25  | -23.3                                  | -20  | -15  | -10  | -6.7 | -5   | 0    | 5    | 7.2  | 10   | 15   |
| 2,500                            | 1.09 | 1.15                                   | 1.25 | 1.40 | 1.56 | 1.68 | 1.74 | 1.93 | 2.13 | 2.23 | 2.36 | 2.60 |
| 3,000                            | 1.06 | 1.11                                   | 1.21 | 1.37 | 1.53 | 1.64 | 1.70 | 1.88 | 2.09 | 2.18 | 2.31 | 2.55 |
| 3,500                            | 1.05 | 1.09                                   | 1.19 | 1.33 | 1.48 | 1.59 | 1.65 | 1.82 | 2.01 | 2.10 | 2.22 | 2.45 |
| 4,000                            | 1.03 | 1.08                                   | 1.17 | 1.31 | 1.45 | 1.55 | 1.61 | 1.77 | 1.96 | 2.05 | 2.16 | 2.38 |

| COP (ASHRAE LBP) |      | 24V DC, fan cooling F <sub>1</sub> W/W |      |      |      |      |      |      |      |      |      |      |
|------------------|------|--|------|------|------|------|------|------|------|------|------|------|
| rpm \ °C         | -25  | -23.3                                  | -20  | -15  | -10  | -6.7 | -5   | 0    | 5    | 7.2  | 10   | 15   |
| 2,500            | 1.36 | 1.42                                   | 1.55 | 1.74 | 1.95 | 2.09 | 2.17 | 2.40 | 2.67 | 2.79 | 2.95 | 3.27 |
| 3,000            | 1.32 | 1.38                                   | 1.51 | 1.70 | 1.90 | 2.04 | 2.12 | 2.35 | 2.61 | 2.73 | 2.89 | 3.20 |
| 3,500            | 1.30 | 1.36                                   | 1.48 | 1.66 | 1.85 | 1.98 | 2.05 | 2.27 | 2.52 | 2.63 | 2.79 | 3.08 |
| 4,000            | 1.28 | 1.34                                   | 1.45 | 1.62 | 1.81 | 1.93 | 2.00 | 2.22 | 2.45 | 2.56 | 2.71 | 2.99 |

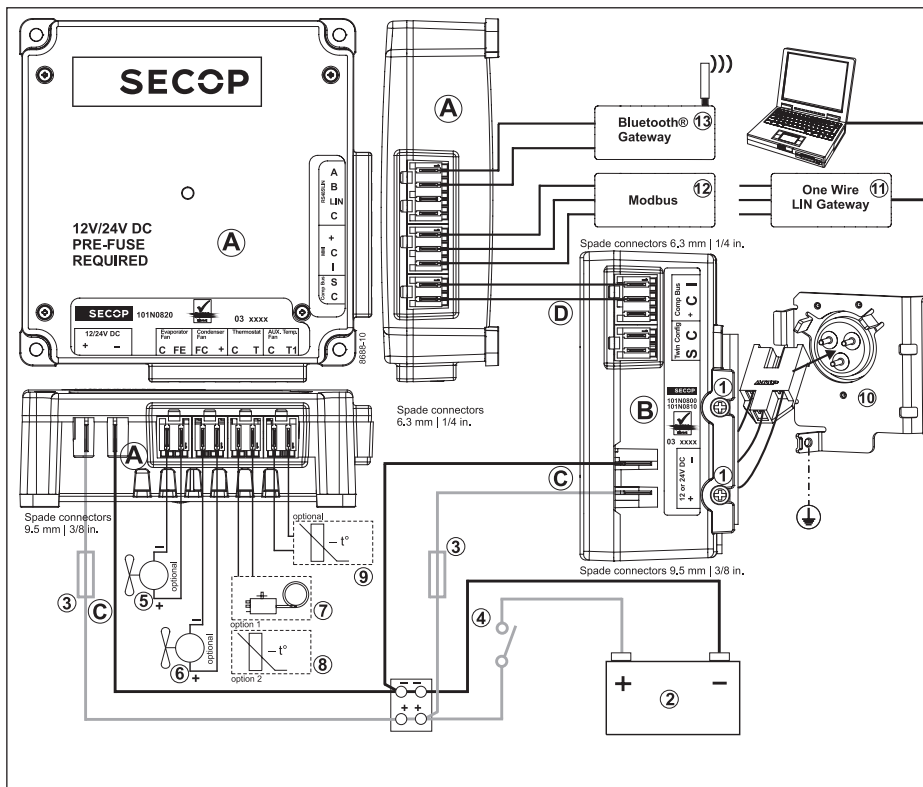
| Test conditions         | EN 12900/CECOMAF | ASHRAE LBP |
|-------------------------|------------------|------------|
| Condensing temperature  | 55°C             | 54.4°C     |
| Ambient temperature     | 32°C             | 32°C       |
| Suction gas temperature | 32°C             | 32°C       |
| Liquid temperature      | no subcooling    | 32°C       |

| Error code | Error type   |
|------------|--|
|            | Can be read out in the software <b>TOOL4COOL®</b>  |
| 6          | <b>Thermostat failure</b><br>(If the NTC thermistor is short-circuit or has no connection, the electronic unit will enter manual mode).  |
| 5          | <b>Thermal cut-out of electronic unit</b><br>(If the refrigeration system has been too heavily loaded, or if the ambient temperature is high, the electronic unit will run too hot). |
| 4          | <b>Minimum motor speed error</b><br>(If the refrigeration system is too heavily loaded, the motor cannot maintain minimum speed at approximately 1,850 rpm).                         |
| 3          | <b>Motor start error</b><br>(The rotor is blocked or the differential pressure in the refrigeration system is too high).   |
| 2          | <b>Fan over-current cut-out</b><br>(The fan loads the electronic unit with too high current).  |
| 1          | <b>Battery protection cut-out</b><br>(The voltage is outside the cut-out setting).   |

| Accessories for BD350GH       |          | Code number |
|-------------------------------|----------|-------------|
| <b>Mounting</b>               |          |             |
| Bolt joint for one compressor | Ø: 16 mm | 118-1917    |
| Bolt joint in quantities      | Ø: 16 mm | 118-1918    |
| Snap-on in quantities         | Ø: 16 mm | 118-1919    |

| Electrical (cables, sensors, etc.)       | Code number |                    |
|--|-------------|--------------------|
|  | Single pack | I - Pack           |
| One Wire/LIN gateway communication cable | 105N9501    | -                  |
| Bluetooth® gateway communication cable   | 105N9502    | -                  |
| Temperature sensor 470 mm                | 105N9612    | 105N9613, 200 pcs. |
| Temperature sensor 1000 mm               | 105N9614    | 105N9615, 100 pcs. |
| Temperature sensor 1500 mm               | 105N9616    | 105N9617, 100 pcs. |
| Comm. cable, 1500 mm                     | -           | 105N9553, 80 pcs.  |
| Comm. cable, 3000 mm                     | -           | 105N9554, 45 pcs.  |
| Display cable, 1500 mm                   | -           | 105N9557, 65 pcs.  |
| Display cable, 3000 mm                   | -           | 105N9558, 35 pcs.  |

|                                   |                    |
|-----------------------------------|--------------------|
| Not deliverable from Secop        |                    |
| Slow-blow fuse compressor module  | 60A                |
| Slow-blow fuse application module | 30A                |
| Main switch                       | rated to min. 100A |



Legend, see Instructions for details.

- A) Application module **101N0820**
- B) Compressor module **101N0810**, 24 V DC
- C) Supply cables
- D) Compressor communication cable assembly

- 1) Mounting screws
- 2) Battery
- 3) Fuse
- 4) Main switch
- 5) Evaporator fan
- 6) Condenser fan
- 7) Mechanical thermostat
- 8) NTC temperature sensor
- 9) NTC auxiliary temperature sensor
- 10) Compressor(s)
- 11) One Wire/LIN gateway comm. interface
- 12) Modbus-compatible device
- 13) Bluetooth® gateway comm. interface

Secop accepts no responsibility for possible errors in catalogs, brochures, and other printed material. Secop reserves the right to alter its products without notice. This also applies to products already on order provided that such alterations can be made without consequential changes being necessary to specifications already agreed. All trademarks in this material are the property of the respective companies. Secop and the Secop logotype are trademarks of Secop GmbH. All rights reserved. [www.secop.com](http://www.secop.com)



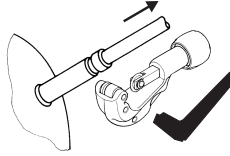
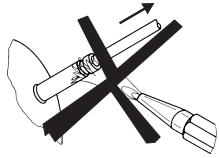
Instructions for Electronic Units  
are available for download on  
[www.secop.com](http://www.secop.com)



# BD Compressors



## Service/Repair



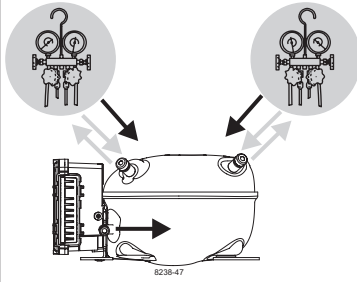
### BD Nano



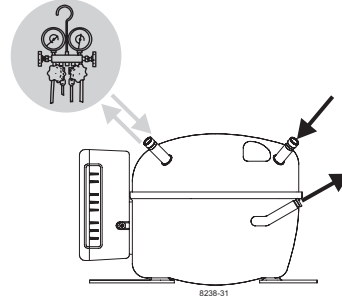
**! max. 150°C/302°F !  
at socket**  
brazing solder: silver with flux

Do not heat up the bottom of the discharge connector directly.  
Do not braze longer than 10 seconds and wait for 5 minutes for the next soldering attempt (Product Bulletin DES.N.101.M1).

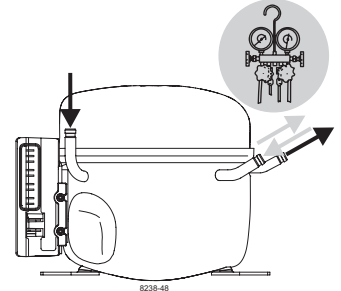
### BD Micro



### BD P-Housing



### BD T-Housing



Secop accepts no responsibility for possible errors in catalogs, brochures, and other printed material. Secop reserves the right to alter its products without notice. This also applies to products already on order provided that such alterations can be made without subsequential changes being necessary to specifications already agreed. All trademarks in this material are the property of the respective companies. Secop and the Secop logotype are trademarks of Secop GmbH. All rights reserved. [www.secop.com](http://www.secop.com)