

Single Pack SC15G 208-230V 60Hz CSIR

Single pack code number: **195B4488**

Position	Title	Code	Amount
1	Compressor SC15G	104G8526	1
2	Starting relay	117U6011	1
3	Starting capacitor (80 μ F 220V, 6.3mm)	117U5017	1
4	Cord relief	103N1004	1
5	Cover	103N2008	1
6	Bolt joint for one compressor M6 \varnothing 16mm	118-1917	1

Secop GmbH • Lise-Meitner-Straße 29 • 24941 Flensburg, Germany • Tel: +49 461 4941 0 • www.secop.com

Secop accepts no responsibility for possible errors in catalogs, brochures, and other printed material. Secop reserves the right to alter its products without notice. This also applies to products already on order provided that such alterations can be made without subsequent changes being necessary to specifications already agreed. All trademarks in this material are the property of the respective companies. Secop and the Secop logotype are trademarks of Secop GmbH. All rights reserved.

Model

Designation	SC15G	208-230V/60Hz 1~	Sales code:	104G8526
-------------	--------------	------------------	-------------	-----------------

Compressor design

Oil type	Polyolester	Refrigerant(s)	R134a
Oil viscosity	22cST	Displacement	15,28cm ³ / 0,93cu.in
Oil quantity	500cm ³ / 16,9fl.oz	Compressors on pallet	80
Refr. charge - tech. limit	1300g / 45,9oz		
Free gas volume comp.	1410cm ³ / 47,7fl.oz		
Weight	13,2kg / 29,1lbs		
Motor protection	1# internal		
Winding resistance main	4,4Ω (at 25°C)		
Winding resistance aux	14Ω (at 25°C)		
Max. winding temp.	125°C / 257°F		
Max. discharge temp.	135°C / 275°F		



General - Configurations with SC15G

	Conf. 1
Motorconfiguration	CSIR
Power supply (nominal)	208-230V/60Hz
Number of phases	1
Voltage range	187-254V
Approvals	VDE, UL, KC
Starting torque	HST
Note	- / -

Applications with SC15G

	Conf. 1
Refrigerant	R134a
Application	MBP
System cooling	fan 3m/s
Hot gas defrost	OK
Long interval pull down	OK

Electrical data - Configurations with SC15G

	Conf. 1
Starting device type	relay
Run capacitor	-/-
Start capacitor	80μF
LRA (locked rotor amps / 4s)	
RLA (rated load amps / 1s)	-/-A
Cut in current	

Model

Designation

SC15G

208-230V/60Hz 1~

Sales code:

104G8526

Compressor dimensions

Housing	A Height	209mm / 8,23in
	B Height	203mm / 7,99in
	C Length shell	218mm / 8,58in
	D Length w. cover	255mm / 10,04in
	E Width	151mm / 5,94in

Connectors	Suction X	Discharge Y	Process Z
Diameter [mm]	øi 10,11-10,29	øi 6,41-6,59	øi 6,41-6,59
(i:inside, o:outside) [in]	øi 0,4-0,41	øi 0,25-0,26	øi 0,25-0,26
Material	copper	copper	copper
Horizontal angle ±2°	37°	37°	143°
Vertical angle ±2°	30°	0°	150°
Position l/h/w [mm]	107/183/55	115/100/63	-107/183/55
[in]	4,2/7,2/2,2	4,5/3,9/2,5	-4,2/7,2/2,2
Straight tube l. [mm]	12	12	12
[in]	0,5	0,5	0,5



Compressor fixation



Bolt joint



Snap-on



Mounting accessories

Mounting accessories	one comp.	multi pack
Bolt joint M6 ø16mm	118-1917	118-1918
Bolt joint ø1/4" ø16mm	118-1946	
Bolt joint ø1/4" ø19mm	118-1949	
Snap-on ø7,3 ø16mm	118-1947	118-1919

Application notes

Provision for PE Grounding is located at the PE Stamp on the compressor

LRA value on compressor label and datasheet may differ due to different test conditions for UL approval.

Model

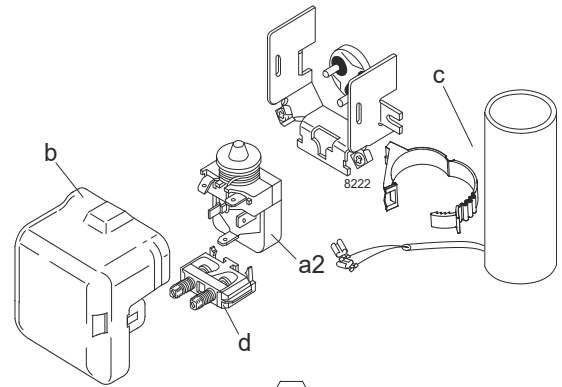
Designation	SC15G	208-230V/60Hz	Conf. 1	Sales code:	104G8526
-------------	--------------	----------------------	----------------	-------------	-----------------

Configuration

Motorconfiguration	CSIR
Power supply (nominal)	208-230V/60Hz 1~
Refrigerant	R134a
Application	MBP
Voltage range	187-254V
Starting torque	HST
Approvals	VDE UL KC

Electrical accessories / wiring diagram

CSIR



Components

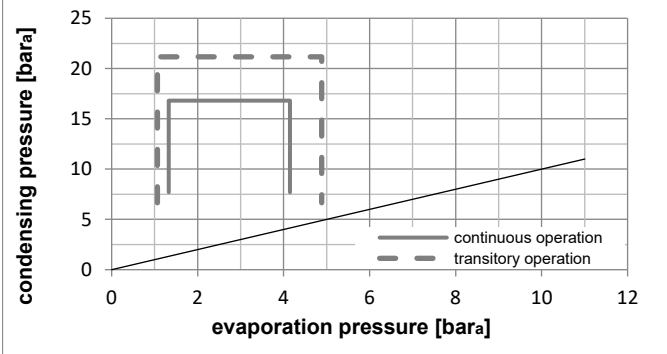
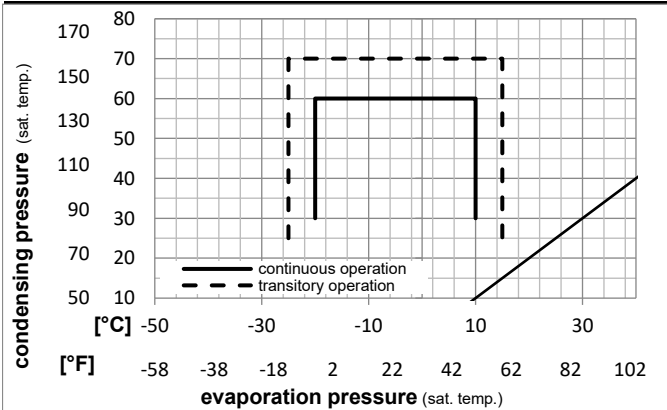
a2	relay	117U6011
c	start capacitor (80μF)	117U5017
d	cord relief	103N1004
b	plastic cover	103N2008

Ambient/ machine room temperatures minimum /maximum

Ambient temperature range:	10 - 43°C / 50 - 110°F
Machine room temperature range:	10 - 48°C / 50 - 119°F
Compressor cooling:	fan 3m/s

Operation Limits

Operation pressure range



Model

Designation	SC15G	208-230V/60Hz	Conf. 1	Sales code:	104G8526
-------------	--------------	----------------------	----------------	-------------	-----------------

Optimization + standard conditions

R134a, 230V/60Hz, CSIR, fan 3m/s, VDE, UL, KC

	Evaporating pressure (saturation temperature)				Condensing pressure (saturation temperature)			Return gas temp.	Liquid temp.	Cooling capacity	COP	EER	Power consumption			ASHRAE MBP		
	pe	pc	RGT	Tliq	[W]	[Btu/h]	[kcal/h]						P1	I	Ref. mass flow			
	[°C]	[°F]	[°C]	[°F]	[W]	[Btu/h]	[kcal/h]	[W/W]	[Btu/Wh]	[kcal/Wh]	[W]	[A]	[kg/h]					
	-7	20	54	130	35	95	46	115	851,4	2908	732,7	1,67	5,69	1,43	511,0	3,05	18,58	ASHRAE MBP
	-10	14	55	131	32	90	55	131	641,5	2191	552,1	1,37	4,66	1,18	469,8	2,92	15,51	cecomaf MBP
	-10	14	45	113	20	68	45	113	741,8	2533	638,4	1,69	5,79	1,46	437,7	2,79	17,36	EN12900 MBP
	-7	20	49	120	18	65	49	120	818,4	2795	704,4	1,67	5,71	1,44	489,9	2,96	20,22	ARI540 MBP
	-10	14	45	113	32	90	45	113	769,6	2628	662,3	1,76	6,00	1,51	437,7	2,79	16,84	opt
	-25	-13	45	113	32	90	45	113	272,1	929	234,2	1,11	3,79	0,96	244,9	2,29	5,89	opt

Performance tables

R134a, 230V/60Hz, CSIR, fan 3m/s, VDE, UL, KC

	pe		Cooling capacity			COP	EER	P1	I	m	
	[°C]	[°F]	[W]	[Btu/h]	[kcal/h]	[W/W]	[Btu/Wh]	[kcal/Wh]	[W]	[A]	[kg/h]
[°C / °F]	-20	-4	418,7	1430	360,3	1,34	4,57	1,15	312,8	2,45	9,10
cond. pressure	-15	5	582,9	1991	501,7	1,55	5,28	1,33	377,1	2,61	12,71
pc= 45/113	-10	14	769,6	2628	662,3	1,76	6,00	1,51	437,7	2,79	16,84
return gas temp.	-7	20	907,4	3099	780,9	1,91	6,52	1,64	475,6	2,90	19,92
RGT= 32/90	0	32	1229,4	4198	1058,0	2,25	7,68	1,93	546,8	3,15	27,19
liquid temp	5	41	1512,0	5164	1301,2	2,54	8,68	2,19	594,9	3,35	33,66
Tliq= 45/113	10	50	1836,1	6270	1580,1	2,88	9,82	2,48	638,4	3,55	41,20
[°C / °F]	-20	-4	307,5	1050	264,7	0,95	3,25	0,82	323,0	2,51	7,38
cond. pressure	-15	5	467,7	1597	402,5	1,17	4,00	1,01	399,5	2,71	11,26
pc= 55/131	-10	14	641,5	2191	552,1	1,37	4,66	1,18	469,8	2,92	15,51
return gas temp	-7	20	765,9	2616	659,2	1,49	5,10	1,29	512,8	3,06	18,58
RGT= 32/90	0	32	1048,7	3582	902,6	1,77	6,06	1,53	591,2	3,36	25,65
liquid temp	5	41	1291,8	4412	1111,7	2,01	6,87	1,73	641,8	3,58	31,83
Tliq= 55/131	10	50	1567,5	5353	1349,0	2,29	7,81	1,97	685,5	3,82	38,96



SC Compressors





SC Compressors

Service/Repair – R290



8545



Secop accepts no responsibility for possible errors in catalogs, brochures, and other printed material. Secop reserves the right to alter its products without notice. This also applies to products already on order provided that such alterations can be made without subsequent changes being necessary to specifications already agreed. All trademarks in this material are the property of the respective companies. Secop and the Secop logotype are trademarks of Secop GmbH. All rights reserved. www.secop.com