

Single Pack SCE21CNLX 220-240V 50Hz CSIR

Single pack code number: **195B4567**

Position	Title	Code	Amount
1	Compressor SCE21CNLX	104H8164	1
2	Starting capacitor (80 μ F 220V, 6.3mm)	117U5017	1
3	Cord relief	103N1004	1
4	Bolt joint for one compressor M6 \varnothing 16mm	118-1917	1

Secop GmbH • Lise-Meitner-Straße 29 • 24941 Flensburg, Germany • Tel: +49 461 4941 0 • www.secop.com

Secop accepts no responsibility for possible errors in catalogs, brochures, and other printed material. Secop reserves the right to alter its products without notice. This also applies to products already on order provided that such alterations can be made without subsequent changes being necessary to specifications already agreed. All trademarks in this material are the property of the respective companies. Secop and the Secop logotype are trademarks of Secop GmbH. All rights reserved.

Model

Designation	SCE21CNLX	220-240V/50Hz 1~	Sales code:	104H8164
-------------	------------------	------------------	-------------	-----------------

Compressor design

Oil type	Polyolester	Refrigerant(s)	R290
Oil viscosity	32cSt	Displacement	20,95cm ³ / 1,28cu.in
Oil quantity	550cm ³ / 18,6fl.oz	Compressors on pallet	80
Refr. charge - tech. limit	500g / 17,6oz		
Free gas volume comp.	1460cm ³ / 49,4fl.oz		
Weight	14,2kg / 31,3lbs		
Motor protection	external		
Winding resistance main	3,57Ω (at 25°C)		
Winding resistance aux	18,6Ω (at 25°C)		
Max. winding temp.	135°C / 275°F		
Max. discharge temp.	140°C / 284°F		



General - Configurations with SCE21CNLX

	Conf. 1
Motorconfiguration	CSIR
Power supply (nominal)	220-230V/50Hz
Number of phases	1
Voltage range	207-242V
Approvals	VDE, CCC, EAC
Starting torque	HST
Note	Protector, relay and cover are included and pre-assembled to compressor.

Applications with SCE21CNLX

	Conf. 1
Refrigerant	R290
Application	LBP
System cooling	fan 3m/s
Hot gas defrost	OK
Long interval pull down	-/-

Electrical data - Configurations with SCE21CNLX

	Conf. 1
Starting device type	relay
Run capacitor	-/-
Start capacitor	80μF
LRA (locked rotor amps / 4s/ U(N))	19,67A
RLA (rated load amps / 1s/ U(N))	3,76A
Cut in current (U(N))	19,67A

Model

Designation

SCE21CNLX

220-240V/50Hz 1~

Sales code:

104H8164

Compressor dimensions

Housing	A Height	219mm / 8,62in
	B Height	213mm / 8,39in
	C Length shell	218mm / 8,58in
	D Length w. cover	255mm / 10,04in
	E Width	151mm / 5,94in

Connectors		Suction	Discharge	Process
		X	Y	Z
Diameter	[mm]	øi 10,11-10,29	øi 6,11-6,29	øi 6,11-6,29
(i:inside, o:outside)	[in]	øi 0,4-0,41	øi 0,24-0,25	øi 0,24-0,25
Material		copper	copper	copper
Horizontal angle	±2°	37°	37°	143°
Vertical angle	±2°	30°	0°	150°
Position l/h/w	[mm]	107/193/55	115/110/63	-107/193/55
	[in]	4,2/7,6/2,2	4,5/4,3/2,5	-4,2/7,6/2,2
Straight tube l.	[mm]	12	12	12
	[in]	0,5	0,5	0,5



Compressor fixation



Bolt joint



Snap-on



Mounting accessories

Mounting accessories	one comp.	multi pack
Bolt joint M6 ø16mm	118-1917	118-1918
Bolt joint ø1/4" ø16mm	118-1946	
Bolt joint ø1/4" ø19mm	118-1949	
Snap-on ø7,3 ø16mm	118-1947	118-1919

Application notes

Provision for PE Grounding is located at the PE Stamp on the compressor

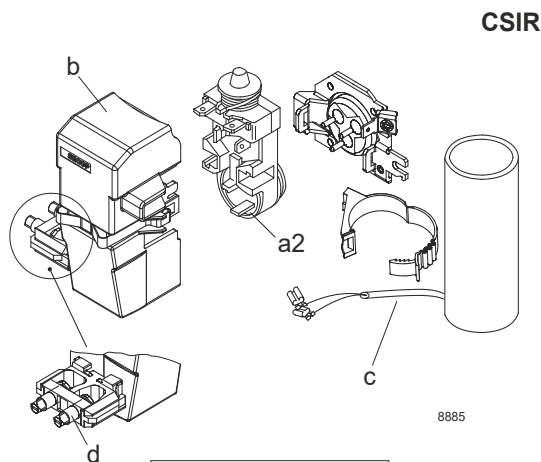
Model

Designation **SCE21CNLX** **220-230V/50Hz** Conf. 1 Sales code: **104H8164**

Configuration

Motor configuration CSIR
 Power supply (nominal) 220-230V/50Hz 1~
 Refrigerant R290
 Application LBP
 Voltage range 207-242V
 Starting torque HST
 Approvals VDE
 CCC
 EAC

Electrical accessories / wiring diagram

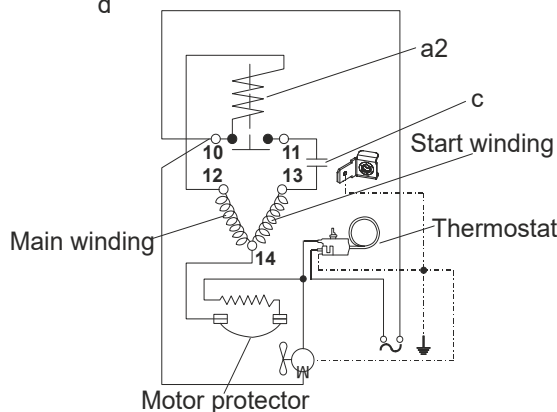


Ambient/ machine room temperatures minimum /maximum

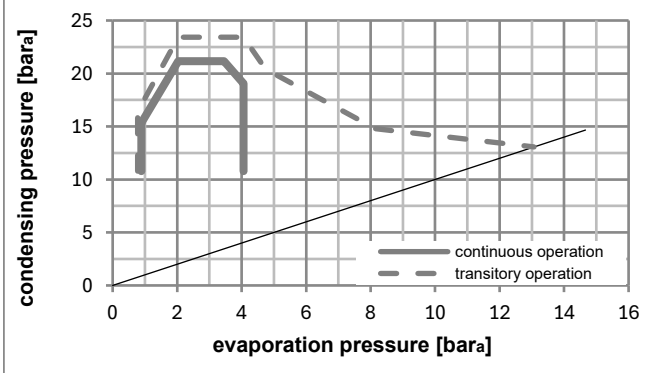
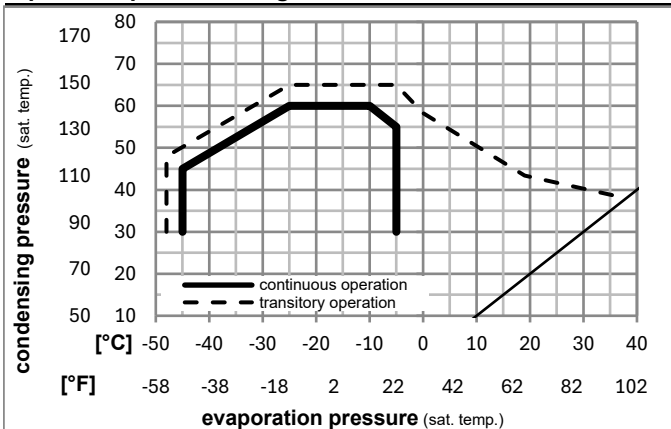
Ambient temperature range: 10 - 38°C / 50 - 101°F

Machine room temperature range: 10 - 43°C / 50 - 110°F

Compressor cooling: fan 3m/s



Operation pressure range



Components (relay (a2)+ cover (b): pre-assembled)

a2	assy. relay + ext. protector (T1102)	117U7400
c	start capacitor (80μF)	117U5017
d	cord relief	103N1004
b	plastic cover + clamp	117U1033

Noise emission

Operation pressures:	pe: -25°C / -13°F
	pc: 45°C / 113°F
Motor speed appr.:	2900rpm
Lw(A):	57dB(A)

Model

Designation **SCE21CNLX** **220-230V/50Hz** Conf. 1 Sales code: **104H8164**

Optimization + standard conditions

R290, 220V/50Hz, CSIR, fan 3m/s, VDE, CCC, EAC

	Evaporating pressure (saturation temperature)				Cooling capacity			COP	EER	P1	Power consumption		ASHRAE LBP
	pe	pc	RGT	Tliq	[W]	[Btu/h]	[kcal/h]				I	m	
[°C]	[°C]	[°C]	[°C]	[W]	[Btu/h]	[kcal/h]	[W/W]	[Btu/Wh]	[kcal/Wh]	[W]	[A]	[kg/h]	
[°F]	[°F]	[°F]	[°F]	[W]	[Btu/h]	[kcal/h]	[W/W]	[Btu/Wh]	[kcal/Wh]	[W]	[A]	[kg/h]	
-23	54	32	32	937,4	3201	806,8	1,49	5,08	1,28	629,8	3,70	9,49	ASHRAE LBP
-10	130	90	90										
-25	55	32	55	696,7	2379	599,5	1,16	3,96	1,00	601,2	3,59	8,67	cecomaf LBP
-13	131	90	131										
-35	40	20	40	545,5	1863	469,5	1,21	4,15	1,05	449,1	2,87	6,23	EN12900 LBP
-31	104	68	104										
-23	49	4,4	49	783,9	2677	674,6	1,28	4,36	1,10	614,5	3,61	10,86	ARI540 LBP
-10	120	40	120										
-23	41	32	32	1074,3	3669	924,5	1,84	6,29	1,58	583,7	3,36	10,88	AHAM LBP
-10	105	90	90										
-35	45	32	45	506,3	1729	435,7	1,12	3,83	0,96	451,9	2,94	5,67	opt
-31	113	90	113										

Performance tables

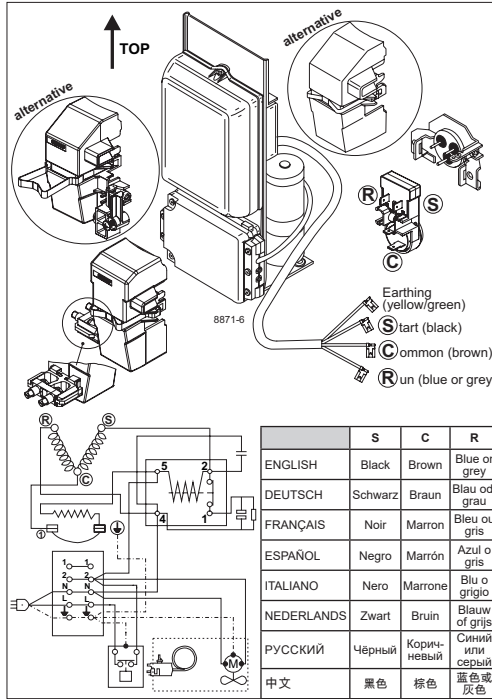
R290, 220V/50Hz, CSIR, fan 3m/s, VDE, CCC, EAC

	pe		Cooling capacity			COP	EER	P1	I	m	
	[°C]	[°F]	[W]	[Btu/h]	[kcal/h]						
[°C / °F]	-45	-49	255,8	874	220,2	0,71	2,44	0,61	358,7	2,67	2,85
cond. pressure	-35	-31	506,3	1729	435,7	1,12	3,83	0,96	451,9	2,94	5,67
pc= 45/113	-30	-22	670,8	2291	577,3	1,31	4,47	1,13	513,0	3,15	7,54
return gas temp.	-25	-13	862,5	2946	742,3	1,49	5,08	1,28	579,3	3,40	9,73
RGT= 32/90	-20	-4	1082,3	3696	931,5	1,67	5,71	1,44	647,2	3,66	12,26
liquid temp	-15	5	1331,0	4546	1145,5	1,87	6,37	1,61	713,3	3,92	15,14
Tliq= 45/113	-5	23	1918,3	6551	1650,9	2,32	7,93	2,00	826,3	4,38	22,09
[°C / °F]	-45	-49	226,9	775	195,3	0,71	2,43	0,61	318,7	2,68	2,79
cond. pressure	-35	-31	402,8	1376	346,7	0,92	3,15	0,79	436,5	3,01	4,98
pc= 55/131	-30	-22	534,6	1826	460,1	1,04	3,55	0,89	514,7	3,28	6,63
return gas temp	-25	-13	696,7	2379	599,5	1,16	3,96	1,00	601,2	3,59	8,67
RGT= 32/90	-20	-4	889,8	3039	765,8	1,28	4,39	1,11	692,5	3,92	11,13
liquid temp	-15	5	1114,8	3807	959,4	1,42	4,85	1,22	785,2	4,28	14,02
Tliq= 55/131	-5	23	1663,7	5682	1431,8	1,73	5,91	1,49	961,0	4,96	21,19



SCE Compressors

(External Protector)



	S	C	R
ENGLISH	Black	Brown	Blue or grey
DEUTSCH	Schwarz	Braun	Blau od. grau
FRANÇAIS	Noir	Marron	Bleu ou gris
ESPAÑOL	Negro	Marrón	Azul o gris
ITALIANO	Nero	Marrone	Blu o grigio
NEDERLANDS	Zwart	Bruin	Blauw of grijs
РУССКИЙ	Чёрный	Коричневый	Синий или серый
中文	黑色	棕色	蓝色或灰色

	S	C	R
ENGLISH	Black	Brown	Blue or grey
DEUTSCH	Schwarz	Braun	Blau od. grau
FRANÇAIS	Noir	Marron	Bleu ou gris
ESPAÑOL	Negro	Marrón	Azul o gris
ITALIANO	Nero	Marrone	Blu o grigio
NEDERLANDS	Zwart	Bruin	Blauw of grijs
РУССКИЙ	Чёрный	Коричневый	Синий или серый
中文	黑色	棕色	蓝色或灰色



SCE Compressors (External Protector)



Service/Repair – R290



8545



Brazing on Suction Connectors (Direct Intake)



! max. 350°C/662°F !
at socket
 brazing solder: phosphor (LP7) or silver

8882

Refer to Product Bulletin:
Brazing on Suction Connectors
(SCE Compressors with Direct Suction Intake)

Secop accepts no responsibility for possible errors in catalogs, brochures, and other printed material. Secop reserves the right to alter its products without notice. This also applies to products already on order provided that such alterations can be made without subsequent changes being necessary to specifications already agreed. All trademarks in this material are the property of the respective companies. Secop and the Secop logotype are trademarks of Secop GmbH. All rights reserved. www.secop.com