

Single Pack KLF5.6CND 220-240V 50Hz CSIR

Single pack code number: **195B4595**

Position	Title	Code	Amount
1	Compressor KLF5.6CND	106H2600	1
2	KL accessories	103N1060	1
3	Starting capacitor (80 μ F 220V, 6.3mm)	117U5001	1
4	Starting relay (QLZ-4.4A, overload protector T0089/L6)	117U7070	1
5	Bolt joint for one compressor M6 \varnothing 16mm	118-1917	1

Secop GmbH • Lise-Meitner-Straße 29 • 24941 Flensburg, Germany • Tel: +49 461 4941 0 • www.secop.com

Secop accepts no responsibility for possible errors in catalogs, brochures, and other printed material. Secop reserves the right to alter its products without notice. This also applies to products already on order provided that such alterations can be made without subsequent changes being necessary to specifications already agreed. All trademarks in this material are the property of the respective companies. Secop and the Secop logotype are trademarks of Secop GmbH. All rights reserved.

Model

Designation	KLF5.6CND	220-240V/50Hz 1~	Sales code:	106H2600
-------------	------------------	------------------	-------------	-----------------

Compressor design

Oil type	Polyolester	Refrigerant(s)	R290
Oil viscosity	10,4cSt	Displacement	5,6cm ³ / 0,34cu.in
Oil quantity	174cm ³ / 5,9fl.oz	Compressors on pallet	100
Refr. charge - tech. limit	200g / 7,1oz		
Free gas volume comp.	1605cm ³ / 54,3fl.oz		
Weight	9,4kg / 20,7lbs		
Motor protection	external		
Winding resistance main	10,7Ω (at 25°C)		
Winding resistance aux	17Ω (at 25°C)		
Max. winding temp.	125°C / 257°F		
Max. discharge temp.	130°C / 266°F		



General - Configurations with KLF5.6CND

	Conf. 1	Conf. 2
Motorconfiguration	CSIR	RSCR
Power supply (nominal)	220-240V/50Hz	220-240V/50Hz
Number of phases	1	1
Voltage range	198-254V	198-254V
Approvals	VDE, CCC	VDE, CCC
Starting torque	HST	LST
Note	- / -	

Applications with KLF5.6CND

	Conf. 1	Conf. 2
Refrigerant	R290	R290
Application	LBP+MBP	LBP+MBP
System cooling	fan 3m/s	fan 3m/s
Hot gas defrost	OK	OK
Long interval pull down	OK	OK

Electrical data - Configurations with KLF5.6CND

	Conf. 1	Conf. 2
Starting device type	relay	PTC
Run capacitor	- / -	5μF
Start capacitor	80μF	- / -
LRA (locked rotor amps / 4s/ U(N))	11,4A	11,4A
RLA (rated load amps / 1s/ U(N))	1,6A	1,6A
Cut in current (U(N))	10,7A	14,7A

Model

Designation	KLF5.6CND	220-240V/50Hz 1~	Sales code:	106H2600
-------------	------------------	------------------	-------------	-----------------

Compressor dimensions

Housing	A Height	182mm / 7,17in
	B Height	175mm / 6,89in
	C Length shell	198mm / 7,8in
	D Length w. cover	238mm / 9,37in
	E Width	160mm / 6,3in

Connectors		Suction	Discharge	Process
		X	Y	Z
Diameter	[mm]	øi 8,11-8,29	øi 6,11-6,29	øi 6,11-6,29
(i:inside, o:outside)	[in]	øi 0,32-0,33	øi 0,24-0,25	øi 0,24-0,25
Material		copper	copper	copper
Horizontal angle	±2°	35°	13°	0°
Vertical angle	±2°	30°	40°	145°
Position l/h/w	[mm]	119/73/59	117/107/66	-88/101/71
	[in]	4,7/2,9/2,3	4,6/4,2/2,6	-3,5/4/2,8
Straight tube l.	[mm]	14	14	14
	[in]	0,5	0,5	0,5



Compressor fixation



Bolt joint



Snap-on



Mounting accessories	one comp.	multi pack
Bolt joint M6 ø16mm	118-1917	118-1918
Bolt joint ø1/4" ø16mm	118-1946	
Bolt joint ø1/4" ø19mm	118-1949	
Snap-on ø7,3 ø16mm	118-1947	118-1919

Application notes

Provision for PE Grounding is located at the PE Stamp on the compressor

Model

Designation	KLF5.6CND	220-240V/50Hz	Conf. 1	Sales code:	106H2600
-------------	------------------	----------------------	----------------	-------------	-----------------

Configuration

Motorconfiguration	CSIR
Power supply (nominal)	220-240V/50Hz 1~
Refrigerant	R290
Application	LBP+MBP
Voltage range	198-254V
Starting torque	HST
Approvals	VDE CCC

Electrical accessories / wiring diagram

CSIR

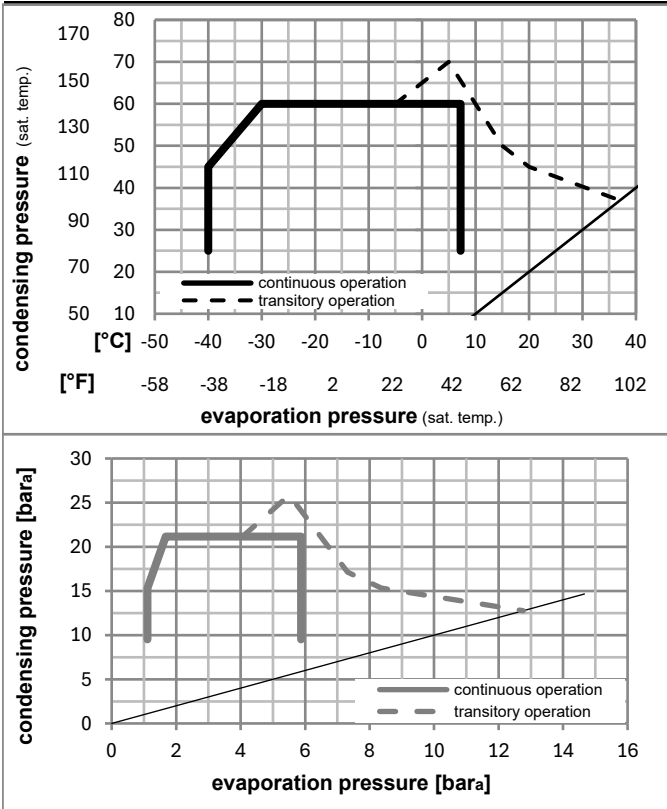


Ambient/ machine room temperatures minimum /maximum

Ambient temperature range:	10 - 43°C / 50 - 110°F
Machine room temperature range:	10 - 48°C / 50 - 119°F
Compressor cooling:	fan 3m/s



Operation pressure range



Components

a5	current relay (T0089/L6-S2)	117U7070
c	start capacitor (80µF, 6.3mm)	117U5001
b, d	cover + clamp + screws(5VA) in bag	103N1060

Alternative components

b, d	100x cover + clamp + screws(5VA)	103N2060
b, d	cover + clamp + screws(5VA-compl.)	103N0600

Model

Designation **KLF5.6CND** **220-240V/50Hz** Conf. 1 Sales code: **106H2600**

Optimization + standard conditions

R290, 220V/50Hz, CSIR, fan 3m/s, VDE, CCC

	pe	pc	RGT	Tliq	Cooling capacity	COP	EER	P1	I	Ref. mass flow	
	[°C]	[°C]	[°C]	[°C]	[W]	[W/W]	[Btu/Wh]	[W]	[A]	[kg/h]	
ASHRAE LBP	-23	54	32	32	273,6	1,55	5,28	177,1	1,22	2,77	
ASHRAE LBP	-10	130	90	90							
cecomaf LBP	-25	55	32	55	203,7	1,19	4,07	170,9	1,20	2,54	
cecomaf LBP	-13	131	90	131							
EN12900 LBP	-35	40	20	40	149,1	1,21	4,12	123,4	1,07	1,70	
EN12900 LBP	-31	104	68	104							
ASHRAE MBP	-7	54	35	46	494,7	2,07	7,08	238,8	1,43	5,64	
ASHRAE MBP	20	130	95	115							
cecomaf MBP	-10	55	32	55	392,2	1,72	5,87	228,2	1,39	4,96	
cecomaf MBP	14	131	90	131							
EN12900 MBP	-10	45	20	45	435,1	2,09	7,14	208,0	1,32	5,34	
EN12900 MBP	14	113	68	113							

Performance tables

R290, 220V/50Hz, CSIR, fan 3m/s, VDE, CCC

	pe	Cooling capacity	COP	EER	P1	I	m
	[°C]	[W]	[W/W]	[Btu/Wh]	[W]	[A]	[kg/h]
cond. pressure	-40	112,6	0,97	3,31	116,1	1,06	1,26
pc= 45/113	-35	148,4	1,14	3,88	130,6	1,09	1,66
return gas temp.	-25	241,0	1,49	5,08	162,1	1,17	2,72
RGT= 32/90	-15	370,8	1,92	6,54	193,5	1,27	4,22
liquid temp	-5	548,3	2,48	8,47	221,0	1,36	6,31
Tliq= 45/113	0	658,2	2,84	9,69	232,0	1,40	7,63
	7,2	844,8	3,47	11,85	243,5	1,45	9,93
cond. pressure	-40	76,0	0,65	2,24	116,1	1,06	0,94
pc= 55/131	-35	114,0	0,86	2,92	133,3	1,10	1,41
return gas temp.	-25	203,7	1,19	4,07	170,9	1,20	2,54
RGT= 32/90	-15	320,4	1,53	5,22	209,6	1,33	4,03
liquid temp	-5	474,8	1,93	6,60	245,7	1,46	6,05
Tliq= 55/131	0	569,4	2,18	7,43	261,5	1,52	7,31
	7,2	729,5	2,60	8,88	280,5	1,59	9,50

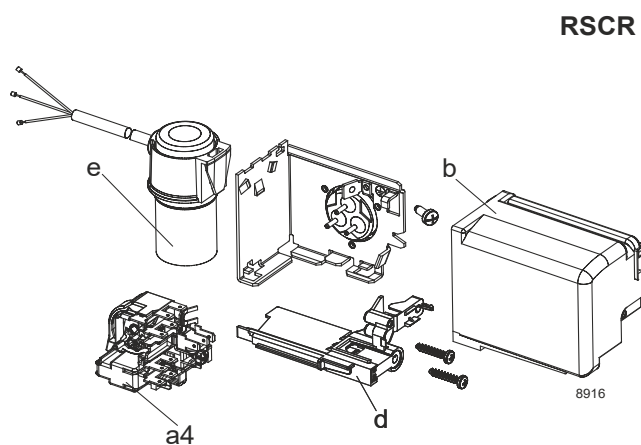
Model

Designation	KLF5.6CND	220-240V/50Hz	Conf. 2	Sales code:	106H2600
-------------	------------------	----------------------	----------------	-------------	-----------------

Configuration

Motorconfiguration	RSCR
Power supply (nominal)	220-240V/50Hz 1~
Refrigerant	R290
Application	LBP+MBP
Voltage range	198-254V
Starting torque	LST
Approvals	VDE CCC

Electrical accessories / wiring diagram

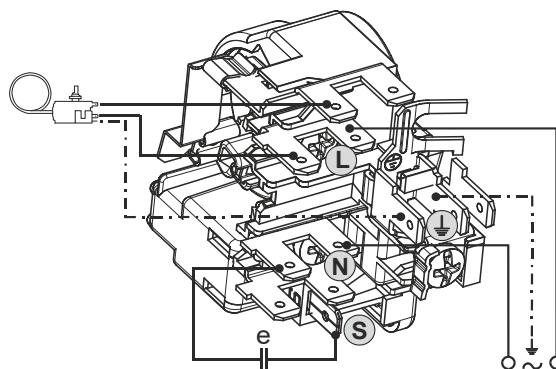


Ambient/ machine room temperatures minimum /maximum

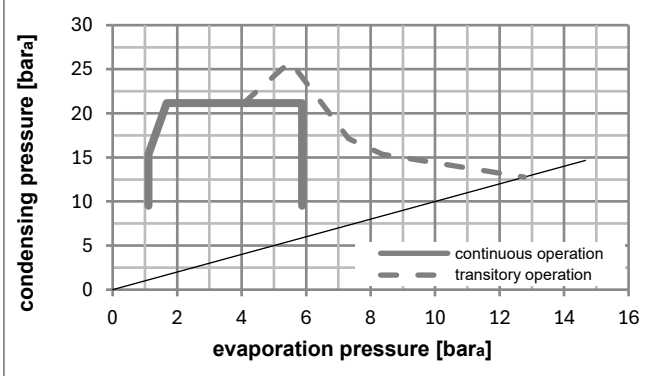
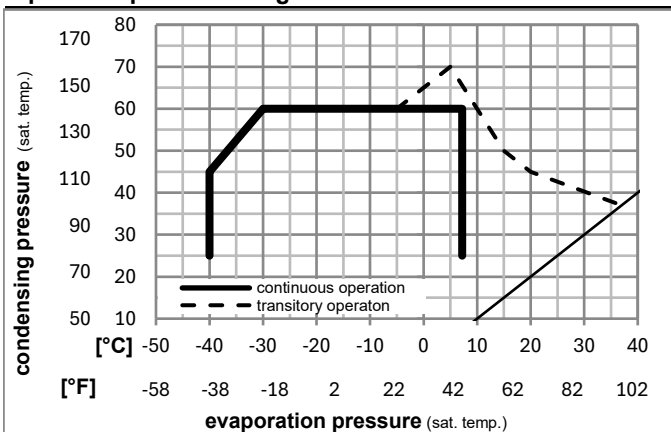
Ambient temperature range: 10 - 43°C / 50 - 110°F

Machine room temperature range: 10 - 48°C / 50 - 119°F

Compressor cooling: fan 3m/s



Operation pressure range



Components

a4	DAS2 (PTC,6.3mm, T0089/L6 - S2)	103N0251
e	run capacitor (5μF, 6.3mm)	117-7191
b, d	cover + clamp + screws(5VA) in bag	103N1060

Alternative components

a4	ZAS2 (PTC,4.8mm, T0089/L6 - S2)	103N0253
e	run capacitor (5μF, 4.8mm)	117-7190

b, d	100x cover + clamp + screws(5VA)	103N2060
b, d	cover + clamp + screws(5VA-compl.)	103N0600

Model

Designation **KLF5.6CND** **220-240V/50Hz** Conf. 2 Sales code: **106H2600**

Optimization + standard conditions

R290, 220V/50Hz, RSCR, fan 3m/s, VDE, CCC

	Evaporating pressure (saturation temperature)				Cooling capacity			COP	EER			Power consumption			ASHRAE LBP
	pe	pc	RGT	Tliq	[W]	[Btu/h]	[kcal/h]		[W/W]	[Btu/Wh]	[kcal/Wh]	P1	I	m	
[°C]	-23	54	32	32	276,8	945	238,2	1,62	5,52	1,39	171,3	0,92	2,80		
[°F]	-10	130	90	90											
[°C]	-25	55	32	55	206,0	704	177,3	1,25	4,26	1,07	165,3	0,90	2,57	cecomaf LBP	
[°F]	-13	131	90	131											
[°C]	-35	40	20	40	150,7	515	129,7	1,26	4,29	1,08	120,0	0,73	1,72	EN12900 LBP	
[°F]	-31	104	68	104											
[°C]	-7	54	35	46	500,8	1710	431,0	2,17	7,40	1,86	231,2	1,17	5,71	ASHRAE MBP	
[°F]	20	130	95	115											
[°C]	-10	55	32	55	397,0	1356	341,7	1,80	6,14	1,55	221,0	1,13	5,02	cecomaf MBP	
[°F]	14	131	90	131											
[°C]	-10	45	20	45	440,3	1504	378,9	2,18	7,46	1,88	201,5	1,05	5,41	EN12900 MBP	
[°F]	14	113	68	113											

Performance tables

R290, 220V/50Hz, RSCR, fan 3m/s, VDE, CCC

	pe		Cooling capacity			COP	EER			P1	I	m
	[°C]	[°F]	[W]	[Btu/h]	[kcal/h]		[W/W]	[Btu/Wh]	[kcal/Wh]			
[°C / °F]	-40	-40	113,9	389	98,0	1,01	3,44	0,87	113,1	0,71	1,27	
cond. pressure	-35	-31	150,0	512	129,1	1,18	4,04	1,02	126,8	0,75	1,68	
pc= 45/113	-25	-13	243,8	833	209,8	1,55	5,31	1,34	156,9	0,86	2,75	
return gas temp.	-15	5	375,2	1281	322,9	2,00	6,84	1,72	187,4	0,99	4,27	
RGT= 32/90	-5	23	554,9	1895	477,6	2,59	8,85	2,23	214,2	1,10	6,39	
liquid temp	0	32	666,2	2275	573,4	2,96	10,11	2,55	225,0	1,15	7,73	
Tliq= 45/113	7,2	45	855,2	2921	736,0	3,62	12,37	3,12	236,2	1,20	10,05	
[°C / °F]	-40	-40	76,9	263	66,2	0,68	2,33	0,59	112,9	0,71	0,95	
cond. pressure	-35	-31	115,3	394	99,2	0,89	3,05	0,77	129,2	0,76	1,43	
pc= 55/131	-25	-13	206,0	704	177,3	1,25	4,26	1,07	165,3	0,90	2,57	
return gas temp	-15	5	324,2	1107	279,0	1,60	5,46	1,38	202,9	1,05	4,08	
RGT= 32/90	-5	23	480,6	1642	413,7	2,02	6,90	1,74	237,9	1,20	6,12	
liquid temp	0	32	576,5	1969	496,2	2,28	7,77	1,96	253,3	1,27	7,41	
Tliq= 55/131	7,2	45	738,8	2523	635,8	2,72	9,29	2,34	271,5	1,35	9,62	



KL Compressors

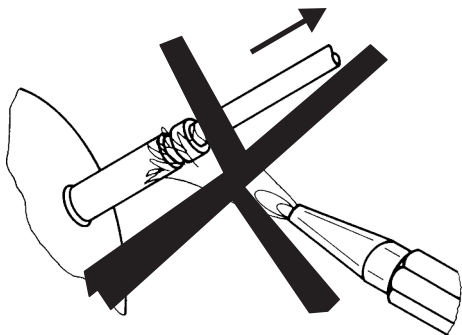




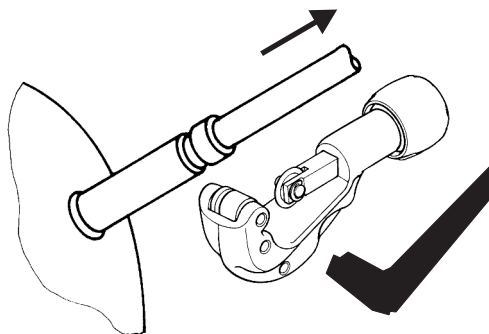
KL Compressors



Service/Repair – R290



8545



Secop accepts no responsibility for possible errors in catalogs, brochures, and other printed material. Secop reserves the right to alter its products without notice. This also applies to products already on order provided that such alterations can be made without subsequent changes being necessary to specifications already agreed. All trademarks in this material are the property of the respective companies. Secop and the Secop logotype are trademarks of Secop GmbH. All rights reserved. www.secop.com