

Single Pack GS26MLX 220-240V 50Hz CSCR

Single pack code number: **195B4628**

| Position | Title | Code | Amount |
|----------|--|----------|--------|
| 1 | Compressor GS26MLX | 107B0503 | 1 |
| 2 | GS starting device (600mm) | 117-7072 | 1 |
| 3 | Bolt joint for one compressor M8 ø19mm | 107B9150 | 1 |

Secop GmbH • Lise-Meitner-Straße 29 • 24941 Flensburg, Germany • Tel: +49 461 4941 0 • www.secop.com

Secop accepts no responsibility for possible errors in catalogs, brochures, and other printed material. Secop reserves the right to alter its products without notice. This also applies to products already on order provided that such alterations can be made without subsequent changes being necessary to specifications already agreed. All trademarks in this material are the property of the respective companies. Secop and the Secop logotype are trademarks of Secop GmbH. All rights reserved.

Model

| | | | | |
|-------------|----------------|------------------|-------------|-----------------|
| Designation | GS26MLX | 220-240V/50Hz 1~ | Sales code: | 107B0503 |
|-------------|----------------|------------------|-------------|-----------------|

Compressor design

| | | | |
|----------------------------|----------------------------------|-----------------------|--------------------------------|
| Oil type | Polyolester | Refrigerant(s) | R404A, R507, R452A |
| Oil viscosity | 32,5cSt | Displacement | 26,3cm ³ / 1,6cu.in |
| Oil quantity | 902cm ³ / 30,5fl.oz | Compressors on pallet | 48 |
| Refr. charge - tech. limit | 2000g / 70,5oz | | |
| Free gas volume comp. | 3670cm ³ / 124,1fl.oz | | |
| Weight | 21,4kg / 47,2lbs | | |
| Motor protection | 1# internal | | |
| Winding resistance main | 1,8Ω (at 25°C) | | |
| Winding resistance aux | 8,1Ω (at 25°C) | | |
| Max. winding temp. | | | |
| Max. discharge temp. | 120°C / 248°F | | |



General - Configurations with GS26MLX

| | Conf. 1 | Conf. 2 | Conf. 3 | Conf. 4 |
|------------------------|--|----------------|----------------|----------------|
| Motorconfiguration | CSCR | CSCR | CSCR | CSCR |
| Power supply (nominal) | 220-240V/50Hz | 220-240V/50Hz | 220-240V/50Hz | 220-240V/50Hz |
| Number of phases | 1 | 1 | 1 | 1 |
| Voltage range | 198-254V | 198-254V | 198-254V | 198-254V |
| Approvals | VDE, CCC, EAC | VDE, CCC, EAC | | |
| Starting torque | HST | HST | HST | HST |
| Note | Cover, clamp, gasket: pre-assembled to compressor. | | | |

Applications with GS26MLX

| | Conf. 1 | Conf. 2 | Conf. 3 | Conf. 4 |
|-------------------------|----------------|----------------|----------------|----------------|
| Refrigerant | R404A | R452A | R448A | R449A |
| Application | MBP | MBP | MBP | MBP |
| System cooling | fan 3m/s | fan 3m/s | fan 3m/s | fan 3m/s |
| Hot gas defrost | OK | OK | OK | OK |
| Long interval pull down | OK | OK | OK | OK |

Electrical data - Configurations with GS26MLX

| | Conf. 1 | Conf. 2 | Conf. 3 | Conf. 4 |
|------------------------------------|----------------|----------------|----------------|----------------|
| Starting device type | relay | relay | relay | relay |
| Run capacitor | 15μF | 15μF | 15μF | 15μF |
| Start capacitor | 80μF | 80μF | 80μF | 80μF |
| LRA (locked rotor amps / 4s/ U(N)) | 35A | 35A | 35A | 35A |
| RLA (rated load amps / 1s/ U(N)) | 6,4A | 6,4A | 6,4A | 6,4A |
| Cut in current (U(N)) | 35A | 35A | 35A | 35A |

Model

Designation

GS26MLX

220-240V/50Hz 1~

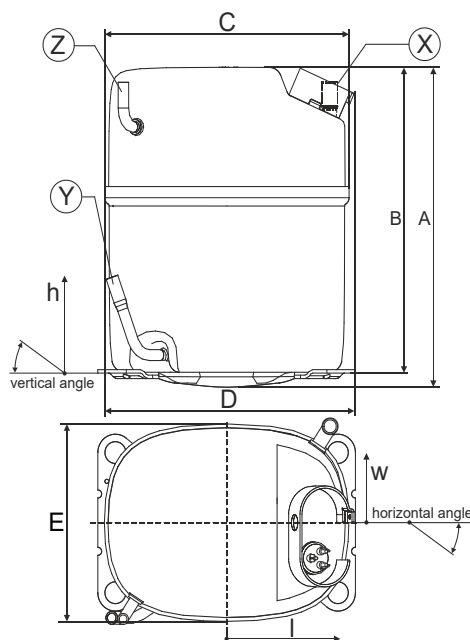
Sales code:

107B0503

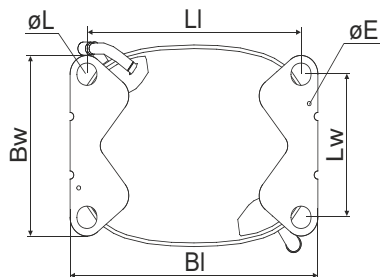
Compressor dimensions

| Housing | A Height | 279mm / 10,98in |
|---------|-------------------|-----------------|
| | B Height | 267mm / 10,51in |
| | C Length shell | 224mm / 8,82in |
| | D Length w. cover | 232mm / 9,13in |
| | E Width | 173mm / 6,81in |

| Connectors | | Suction | Discharge | Process |
|------------------|----------------------------|----------------|---------------|--------------|
| | | X | Y | Z |
| Diameter | [mm] | øi 16,03-16,13 | øi 9,63-9,73 | øi 6,4-6,6 |
| | (i:inside, o:outside) [in] | øi 0,63-0,64 | øi 0,38-0,38 | øi 0,25-0,26 |
| Material | | copper | copper | copper |
| Horizontal angle | ±2° | 0° | 0° | 0° |
| Vertical angle | ±2° | 90° | 71° | 90° |
| Position l/h/w | [mm] | -95/234/-84 | -105/84/-84 | 95/234/84 |
| | [in] | -3,7/9,2/-3,3 | -4,1/3,3/-3,3 | 3,7/9,2/3,3 |
| Straight tube l. | [mm] | 18 | 23 | 15 |
| | [in] | 0,7 | 0,9 | 0,6 |

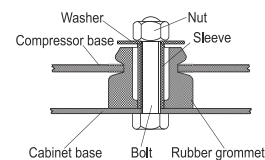


Compressor fixation



| Baseplate | [mm] | [inch] |
|-------------|-------|--------|
| BI | 235 | 9.25 |
| Bw | 154 | 6.06 |
| øE | ø 3.6 | ø 0.14 |
| Large holes | [mm] | [inch] |
| LI | 203 | 7.99 |
| Lw | 122 | 4.80 |
| øL | ø 19 | ø 0.75 |

Bolt joint



Mounting accessories

Bolt joint | M8 | ø19mm

one comp.

107B9150

Application notes

Provision for PE Grounding is located at the PE Stamp on the compressor

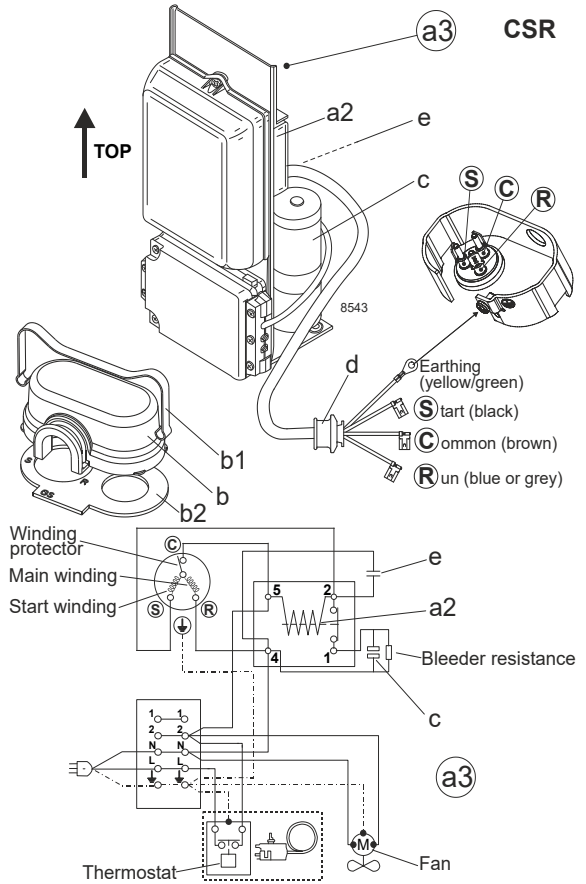
Model

| | | | | | |
|-------------|----------------|----------------------|----------------|-------------|-----------------|
| Designation | GS26MLX | 220-240V/50Hz | Conf. 1 | Sales code: | 107B0503 |
|-------------|----------------|----------------------|----------------|-------------|-----------------|

Configuration

| | |
|------------------------|------------------|
| Motor configuration | CSCR |
| Power supply (nominal) | 220-240V/50Hz 1~ |
| Refrigerant | R404A |
| Application | MBP |
| Voltage range | 198-254V |
| Starting torque | HST |
| Approvals | VDE |
| | CCC |
| | EAC |

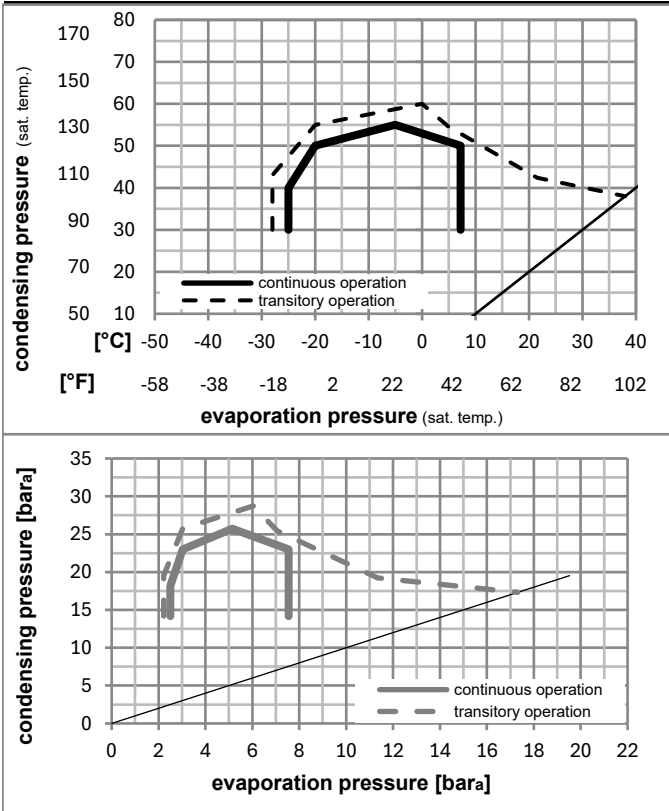
Electrical accessories / wiring diagram



Ambient/ machine room temperatures minimum /maximum

| | |
|---------------------------------|------------------------|
| Ambient temperature range: | 10 - 38°C / 50 - 101°F |
| Machine room temperature range: | 10 - 43°C / 50 - 110°F |
| Compressor cooling: | fan 3m/s |

Operation pressure range



Components (cover, clamp, gasket: incl. and pre assembl.)

| | | |
|----|------------------------|----------|
| a3 | GS starter kit (600mm) | 117-7072 |
| b | cover | 107B9101 |
| b2 | gasket | 107B9100 |
| b1 | clamp | 107B9104 |

Model

Designation **GS26MLX** **220-240V/50Hz** Conf. 1 Sales code: **107B0503**

Optimization + standard conditions

R404A, 220V/50Hz, CSCR, fan 3m/s, VDE, CCC, EAC

| | | Evaporating pressure (saturation temperature) | | | | Condensing pressure (saturation temperature) | | | Return gas temp. | | Liquid temp. | | Cooling capacity | | | COP | EER | Power consumption | | |
|------|------|---|-----|-----|------|--|---------|----------|------------------|----------|--------------|------|------------------|---------------------|------|----------------|-------------|-------------------|--|--|
| | | pe | pc | RGT | Tliq | [W] | [Btu/h] | [kcal/h] | [W/W] | [Btu/Wh] | [kcal/Wh] | P1 | I | Current consumption | | Ref. mass flow | | | | |
| [°C] | [°F] | | | | | | | | | | | [W] | [A] | [kg/h] | | | | | | |
| -7 | 20 | 54 | 130 | 35 | 95 | 46 | 115 | 2395,2 | 8180 | 2061,3 | 1,72 | 5,87 | 1,48 | 1393,3 | 6,82 | 65,90 | ASHRAE MBP | | | |
| -10 | 14 | 55 | 131 | 32 | 90 | 55 | 131 | 1779,3 | 6077 | 1531,3 | 1,36 | 4,63 | 1,17 | 1312,4 | 6,45 | 56,96 | cecomaf MBP | | | |
| -10 | 14 | 45 | 113 | 20 | 68 | 45 | 113 | 2123,6 | 7252 | 1827,6 | 1,75 | 5,98 | 1,51 | 1213,2 | 6,05 | 63,97 | EN12900 MBP | | | |
| -7 | 20 | 49 | 120 | 18 | 65 | 49 | 120 | 2203,3 | 7525 | 1896,2 | 1,66 | 5,67 | 1,43 | 1327,3 | 6,57 | 72,00 | ARI540 MBP | | | |
| -10 | 14 | 45 | 113 | 32 | 90 | 45 | 113 | 2253,8 | 7697 | 1939,6 | 1,86 | 6,34 | 1,60 | 1213,2 | 6,05 | 62,06 | opt | | | |
| -25 | -13 | 45 | 113 | 32 | 90 | 45 | 113 | 1093,1 | 3733 | 940,7 | 1,25 | 4,27 | 1,08 | 873,4 | 4,58 | 29,49 | opt | | | |

Performance tables

R404A, 220V/50Hz, CSCR, fan 3m/s, VDE, CCC, EAC

| | pe | | Cooling capacity | | | COP | EER | P1 | I | m | |
|------------------|------|------|------------------|---------|----------|-------|----------|-----------|--------|------|--------|
| | [°C] | [°F] | [W] | [Btu/h] | [kcal/h] | [W/W] | [Btu/Wh] | [kcal/Wh] | [W] | [A] | [kg/h] |
| [°C / °F] | -25 | -13 | 1093,1 | 3733 | 940,7 | 1,25 | 4,27 | 1,08 | 873,4 | 4,58 | 29,49 |
| cond. pressure | -20 | -4 | 1426,4 | 4871 | 1227,6 | 1,44 | 4,91 | 1,24 | 992,8 | 5,07 | 38,70 |
| pc= 45/113 | -15 | 5 | 1810,5 | 6183 | 1558,1 | 1,64 | 5,59 | 1,41 | 1105,3 | 5,56 | 49,46 |
| return gas temp. | -10 | 14 | 2253,8 | 7697 | 1939,6 | 1,86 | 6,34 | 1,60 | 1213,2 | 6,05 | 62,06 |
| RGT= 32/90 | -5 | 23 | 2764,5 | 9441 | 2379,2 | 2,10 | 7,16 | 1,80 | 1318,8 | 6,55 | 76,85 |
| liquid temp | 0 | 32 | 3351,0 | 11444 | 2883,9 | 2,35 | 8,03 | 2,02 | 1424,4 | 7,06 | 94,21 |
| Tliq= 45/113 | 7,2 | 45 | 4345,5 | 14841 | 3739,8 | 2,75 | 9,39 | 2,37 | 1581,2 | 7,80 | 124,61 |
| [°C / °F] | -25 | -13 | 822,4 | 2809 | 707,8 | 0,93 | 3,18 | 0,80 | 882,2 | 4,70 | 25,70 |
| cond. pressure | -20 | -4 | 1102,9 | 3767 | 949,1 | 1,07 | 3,64 | 0,92 | 1034,1 | 5,27 | 34,70 |
| pc= 55/131 | -15 | 5 | 1419,1 | 4846 | 1221,3 | 1,21 | 4,12 | 1,04 | 1176,7 | 5,86 | 45,00 |
| return gas temp | -10 | 14 | 1779,3 | 6077 | 1531,3 | 1,36 | 4,63 | 1,17 | 1312,4 | 6,45 | 56,96 |
| RGT= 32/90 | -5 | 23 | 2191,9 | 7486 | 1886,4 | 1,52 | 5,19 | 1,31 | 1443,4 | 7,04 | 70,95 |
| liquid temp | 0 | 32 | 2665,2 | 9102 | 2293,7 | 1,70 | 5,79 | 1,46 | 1572,0 | 7,64 | 87,40 |
| Tliq= 55/131 | 7,2 | 45 | 3470,1 | 11851 | 2986,4 | 1,97 | 6,74 | 1,70 | 1757,8 | 8,51 | 116,46 |

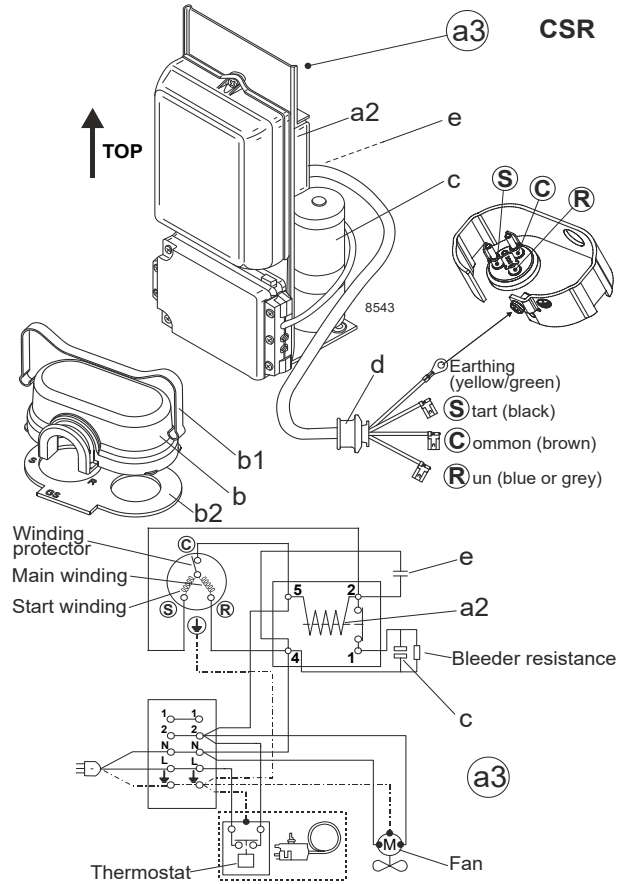
Model

| | | | | | |
|-------------|----------------|----------------------|----------------|-------------|-----------------|
| Designation | GS26MLX | 220-240V/50Hz | Conf. 2 | Sales code: | 107B0503 |
|-------------|----------------|----------------------|----------------|-------------|-----------------|

Configuration

| | |
|------------------------|------------------|
| Motorconfiguration | CSCR |
| Power supply (nominal) | 220-240V/50Hz 1~ |
| Refrigerant | R452A |
| Application | MBP |
| Voltage range | 198-254V |
| Starting torque | HST |
| Approvals | VDE |
| | CCC |
| | EAC |

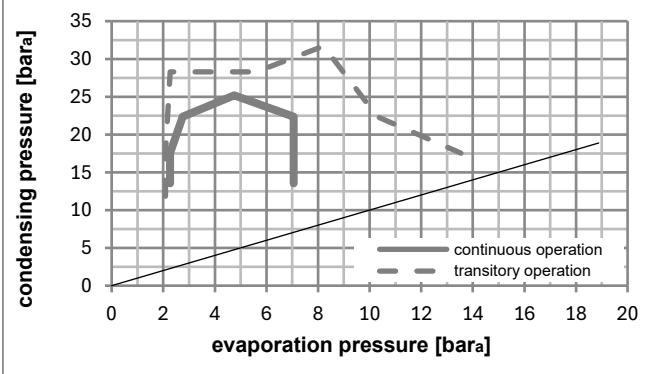
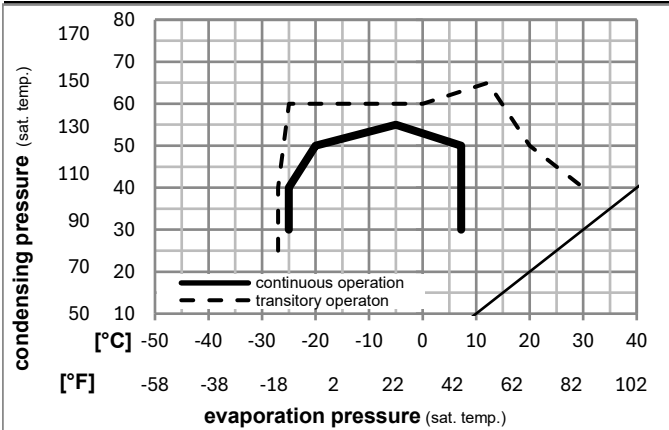
Electrical accessories / wiring diagram



Ambient/ machine room temperatures minimum /maximum

| | |
|---------------------------------|------------------------|
| Ambient temperature range: | 10 - 38°C / 50 - 101°F |
| Machine room temperature range: | 10 - 43°C / 50 - 110°F |
| Compressor cooling: | fan 3m/s |

Operation pressure range



Components (cover, clamp, gasket: incl. and pre assembl.)

| | | |
|----|------------------------|----------|
| a3 | GS starter kit (600mm) | 117-7072 |
| b | cover | 107B9101 |
| b2 | gasket | 107B9100 |
| b1 | clamp | 107B9104 |

Model

Designation **GS26MLX** **220-240V/50Hz** Conf. 2 Sales code: **107B0503**

Optimization + standard conditions

R452A, 220V/50Hz, CSCR, fan 3m/s, VDE, CCC, EAC

| | Evaporating pressure (saturation temperature) | | | | Cooling capacity | COP | EER | Power consumption | | | Ref. mass flow | | | | | | | |
|--|---|------|------|------|------------------|---------|----------|-------------------|----------|-----------|----------------|------|--------|------|--------|------|-------|-------------|
| | pe | pc | RGT | Tliq | | | | P1 | I | m | | | | | | | | |
| | [°C] | [°F] | [°C] | [°F] | [W] | [Btu/h] | [kcal/h] | [W/W] | [Btu/Wh] | [kcal/Wh] | [W] | [A] | [kg/h] | | | | | |
| | -7 | 20 | 54 | 130 | 35 | 95 | 46 | 115 | 2185,0 | 7462 | 1880,5 | 1,65 | 5,64 | 1,42 | 1323,2 | 6,53 | 61,47 | ASHRAE MBP |
| | -10 | 14 | 55 | 131 | 32 | 90 | 55 | 131 | 1641,6 | 5606 | 1412,8 | 1,33 | 4,54 | 1,15 | 1233,5 | 6,14 | 53,35 | cecomaf MBP |
| | -10 | 14 | 45 | 113 | 20 | 68 | 45 | 113 | 1988,9 | 6792 | 1711,6 | 1,76 | 5,99 | 1,51 | 1133,0 | 5,70 | 61,11 | EN12900 MBP |
| | -7 | 20 | 49 | 120 | 18 | 65 | 49 | 120 | 2042,3 | 6975 | 1757,6 | 1,63 | 5,56 | 1,40 | 1254,9 | 6,23 | 67,75 | ARI540 MBP |
| | -10 | 14 | 45 | 113 | 32 | 90 | 45 | 113 | 2107,5 | 7198 | 1813,8 | 1,86 | 6,35 | 1,60 | 1133,0 | 5,70 | 59,38 | opt |
| | -25 | -13 | 45 | 113 | 32 | 90 | 45 | 113 | 1011,6 | 3455 | 870,6 | 1,27 | 4,33 | 1,09 | 797,8 | 4,22 | 27,98 | opt |

Performance tables

R452A, 220V/50Hz, CSCR, fan 3m/s, VDE, CCC, EAC

| | pe | | Cooling capacity | | | COP | EER | | P1 | I | m |
|------------------|------|------|------------------|---------|----------|-------|----------|-----------|--------|------|--------|
| | [°C] | [°F] | [W] | [Btu/h] | [kcal/h] | [W/W] | [Btu/Wh] | [kcal/Wh] | [W] | [A] | [kg/h] |
| [°C / °F] | -25 | -13 | 1011,6 | 3455 | 870,6 | 1,27 | 4,33 | 1,09 | 797,8 | 4,22 | 27,98 |
| cond. pressure | -20 | -4 | 1355,4 | 4629 | 1166,5 | 1,50 | 5,12 | 1,29 | 904,7 | 4,69 | 37,69 |
| pc= 45/113 | -15 | 5 | 1713,7 | 5853 | 1474,9 | 1,69 | 5,76 | 1,45 | 1016,9 | 5,19 | 47,94 |
| return gas temp. | -10 | 14 | 2107,5 | 7198 | 1813,8 | 1,86 | 6,35 | 1,60 | 1133,0 | 5,70 | 59,38 |
| RGT= 32/90 | -5 | 23 | 2557,9 | 8736 | 2201,3 | 2,04 | 6,98 | 1,76 | 1251,4 | 6,22 | 72,68 |
| liquid temp | 0 | 32 | 3085,8 | 10539 | 2655,7 | 2,25 | 7,69 | 1,94 | 1370,6 | 6,74 | 88,57 |
| Tliq= 45/113 | 7,2 | 45 | 4024,9 | 13746 | 3463,8 | 2,61 | 8,92 | 2,25 | 1540,5 | 7,49 | 117,58 |
| [°C / °F] | -25 | -13 | 775,4 | 2648 | 667,4 | 0,97 | 3,33 | 0,84 | 795,9 | 4,21 | 24,68 |
| cond. pressure | -20 | -4 | 1047,3 | 3577 | 901,3 | 1,11 | 3,80 | 0,96 | 940,6 | 4,85 | 33,52 |
| pc= 55/131 | -15 | 5 | 1329,0 | 4539 | 1143,7 | 1,22 | 4,18 | 1,05 | 1087,0 | 5,50 | 42,84 |
| return gas temp | -10 | 14 | 1641,6 | 5606 | 1412,8 | 1,33 | 4,54 | 1,15 | 1233,5 | 6,14 | 53,35 |
| RGT= 32/90 | -5 | 23 | 2006,2 | 6852 | 1726,6 | 1,46 | 4,97 | 1,25 | 1378,7 | 6,78 | 65,85 |
| liquid temp | 0 | 32 | 2443,9 | 8346 | 2103,2 | 1,61 | 5,49 | 1,38 | 1521,1 | 7,41 | 81,15 |
| Tliq= 55/131 | 7,2 | 45 | 3244,9 | 11082 | 2792,6 | 1,89 | 6,45 | 1,63 | 1718,2 | 8,27 | 109,98 |

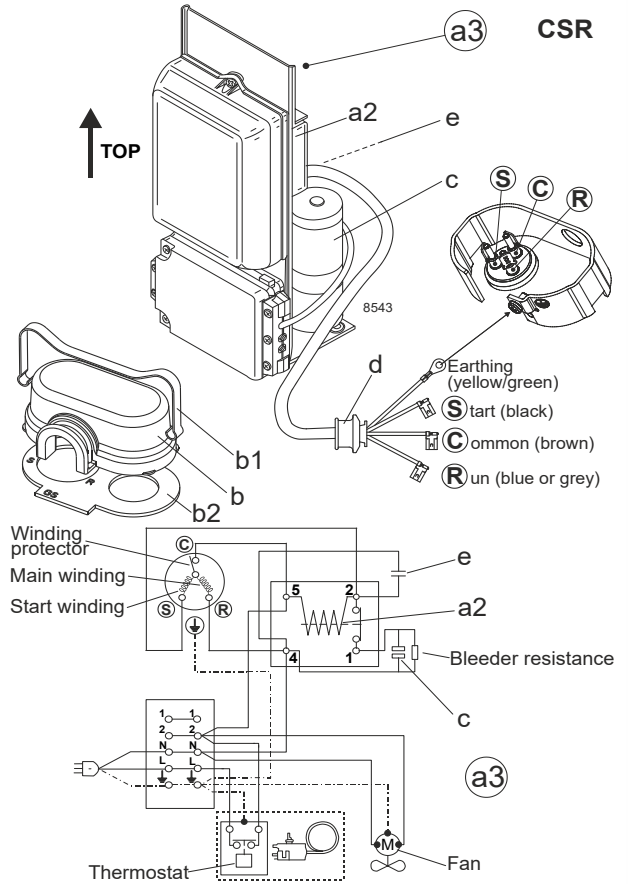
Model

| | | | | | |
|-------------|----------------|----------------------|----------------|-------------|-----------------|
| Designation | GS26MLX | 220-240V/50Hz | Conf. 3 | Sales code: | 107B0503 |
|-------------|----------------|----------------------|----------------|-------------|-----------------|

Configuration

| | |
|------------------------|------------------|
| Motorconfiguration | CSCR |
| Power supply (nominal) | 220-240V/50Hz 1~ |
| Refrigerant | R448A |
| Application | MBP |
| Voltage range | 198-254V |
| Starting torque | HST |
| Approvals | |

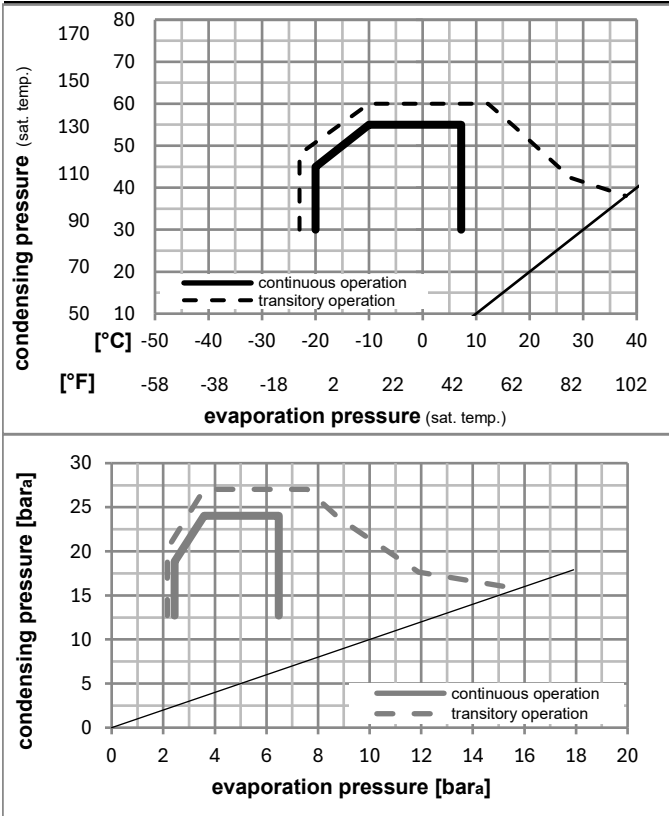
Electrical accessories / wiring diagram



Ambient/ machine room temperatures minimum /maximum

| | |
|---------------------------------|------------------------|
| Ambient temperature range: | 10 - 38°C / 50 - 101°F |
| Machine room temperature range: | 10 - 43°C / 50 - 110°F |
| Compressor cooling: | fan 3m/s |

Operation pressure range



Components (cover, clamp, gasket: incl. and pre assembl.)

| | | |
|----|------------------------|----------|
| a3 | GS starter kit (600mm) | 117-7072 |
| b | cover | 107B9101 |
| b2 | gasket | 107B9100 |
| b1 | clamp | 107B9104 |

Model

Designation **GS26MLX** **220-240V/50Hz** Conf. 3 Sales code: **107B0503**

Optimization + standard conditions

R448A, 220V/50Hz, CSCR, fan 3m/s,

| | Evaporating pressure (saturation temperature) | | | | Cooling capacity | | | COP | EER | | | Power consumption | | | ASHRAE MBP | | | |
|--|---|------|------|------|------------------|---------|----------|-------|----------|-----------|-----------|-------------------|--------|------|------------|------|-------|-------------|
| | pe | pc | RGT | Tliq | [W] | [Btu/h] | [kcal/h] | | [W/W] | [Btu/Wh] | [kcal/Wh] | P1 | I | m | | | | |
| | [°C] | [°F] | [°C] | [°F] | [W] | [Btu/h] | [kcal/h] | [W/W] | [Btu/Wh] | [kcal/Wh] | [W] | [A] | [kg/h] | | | | | |
| | -7 | 20 | 54 | 130 | 35 | 95 | 46 | 115 | 2180,4 | 7447 | 1876,5 | 1,77 | 6,05 | 1,52 | 1231,7 | 6,12 | 47,63 | ASHRAE MBP |
| | -10 | 14 | 55 | 131 | 32 | 90 | 55 | 131 | 1662,7 | 5678 | 1431,0 | 1,44 | 4,92 | 1,24 | 1155,2 | 5,79 | 40,72 | cecomaf MBP |
| | -10 | 14 | 45 | 113 | 20 | 68 | 45 | 113 | 1957,8 | 6686 | 1684,9 | 1,82 | 6,23 | 1,57 | 1073,8 | 5,44 | 45,80 | EN12900 MBP |
| | -7 | 20 | 49 | 120 | 18 | 65 | 49 | 120 | 2086,3 | 7125 | 1795,5 | 1,77 | 6,05 | 1,52 | 1177,7 | 5,89 | 51,89 | ARI540 MBP |
| | -10 | 14 | 45 | 113 | 32 | 90 | 45 | 113 | 2037,3 | 6958 | 1753,3 | 1,90 | 6,48 | 1,63 | 1073,8 | 5,44 | 44,52 | opt |
| | -25 | -13 | 45 | 113 | 32 | 90 | 45 | 113 | 937,9 | 3203 | 807,2 | 1,25 | 4,26 | 1,07 | 751,3 | 4,05 | 20,17 | opt |

Performance tables

R448A, 220V/50Hz, CSCR, fan 3m/s,

| | pe | | Cooling capacity | | | COP | EER | | P1 | I | m |
|------------------|------|------|------------------|---------|----------|------|-------|----------|--------|------|-------|
| | [°C] | [°F] | [W] | [Btu/h] | [kcal/h] | | [W/W] | [Btu/Wh] | | | |
| [°C / °F] | -20 | -4 | 1248,3 | 4263 | 1074,3 | 1,44 | 4,93 | 1,24 | 863,9 | 4,54 | 26,96 |
| cond. pressure | -15 | 5 | 1611,6 | 5504 | 1387,0 | 1,66 | 5,67 | 1,43 | 970,8 | 5,00 | 35,00 |
| pc= 45/113 | -10 | 14 | 2037,3 | 6958 | 1753,3 | 1,90 | 6,48 | 1,63 | 1073,8 | 5,44 | 44,52 |
| return gas temp. | -7 | 20 | 2356,9 | 8049 | 2028,4 | 2,07 | 7,06 | 1,78 | 1140,6 | 5,73 | 51,75 |
| RGT= 32/90 | -5 | 23 | 2534,7 | 8656 | 2181,4 | 2,16 | 7,37 | 1,86 | 1174,7 | 5,87 | 55,80 |
| liquid temp | 0 | 32 | 3113,1 | 10632 | 2679,2 | 2,44 | 8,34 | 2,10 | 1275,2 | 6,31 | 69,13 |
| Tliq= 45/113 | 7,2 | 45 | 4107,5 | 14028 | 3534,9 | 2,89 | 9,86 | 2,48 | 1423,0 | 6,94 | 92,65 |
| [°C / °F] | -20 | -4 | 992,7 | 3390 | 854,3 | 1,11 | 3,78 | 0,95 | 896,0 | 4,68 | 24,00 |
| cond. pressure | -15 | 5 | 1302,6 | 4449 | 1121,0 | 1,27 | 4,32 | 1,09 | 1028,7 | 5,25 | 31,68 |
| pc= 55/131 | -10 | 14 | 1662,7 | 5678 | 1431,0 | 1,44 | 4,92 | 1,24 | 1155,2 | 5,79 | 40,72 |
| return gas temp | -7 | 20 | 1932,5 | 6600 | 1663,1 | 1,56 | 5,34 | 1,35 | 1236,3 | 6,14 | 47,58 |
| RGT= 32/90 | -5 | 23 | 2082,5 | 7112 | 1792,2 | 1,63 | 5,57 | 1,40 | 1277,5 | 6,32 | 51,43 |
| liquid temp | 0 | 32 | 2571,3 | 8781 | 2212,9 | 1,84 | 6,29 | 1,58 | 1397,1 | 6,83 | 64,13 |
| Tliq= 55/131 | 7,2 | 45 | 3415,3 | 11664 | 2939,2 | 2,18 | 7,44 | 1,87 | 1568,6 | 7,57 | 86,68 |

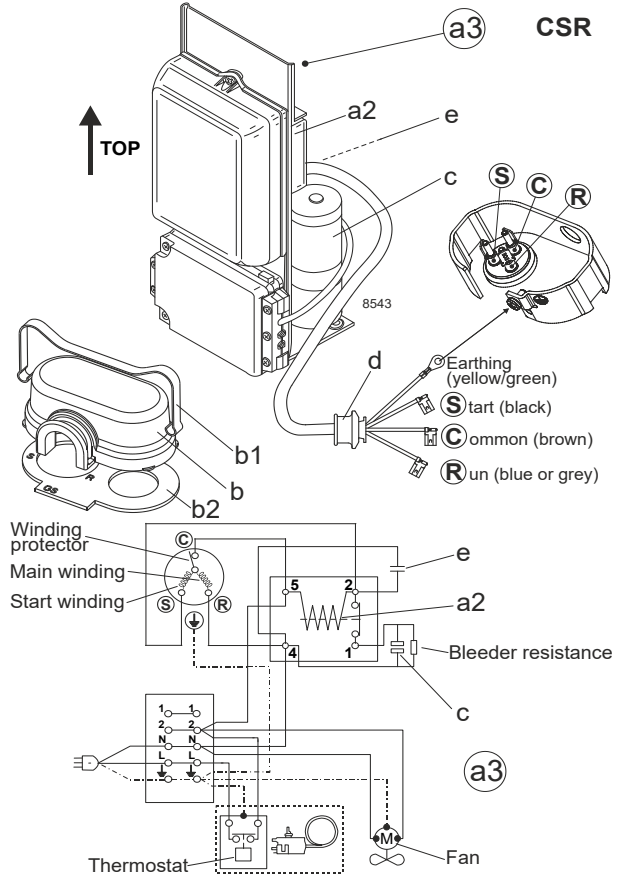
Model

| | | | | | |
|-------------|----------------|----------------------|----------------|-------------|-----------------|
| Designation | GS26MLX | 220-240V/50Hz | Conf. 4 | Sales code: | 107B0503 |
|-------------|----------------|----------------------|----------------|-------------|-----------------|

Configuration

| | |
|------------------------|------------------|
| Motor configuration | CSCR |
| Power supply (nominal) | 220-240V/50Hz 1~ |
| Refrigerant | R449A |
| Application | MBP |
| Voltage range | 198-254V |
| Starting torque | HST |
| Approvals | |

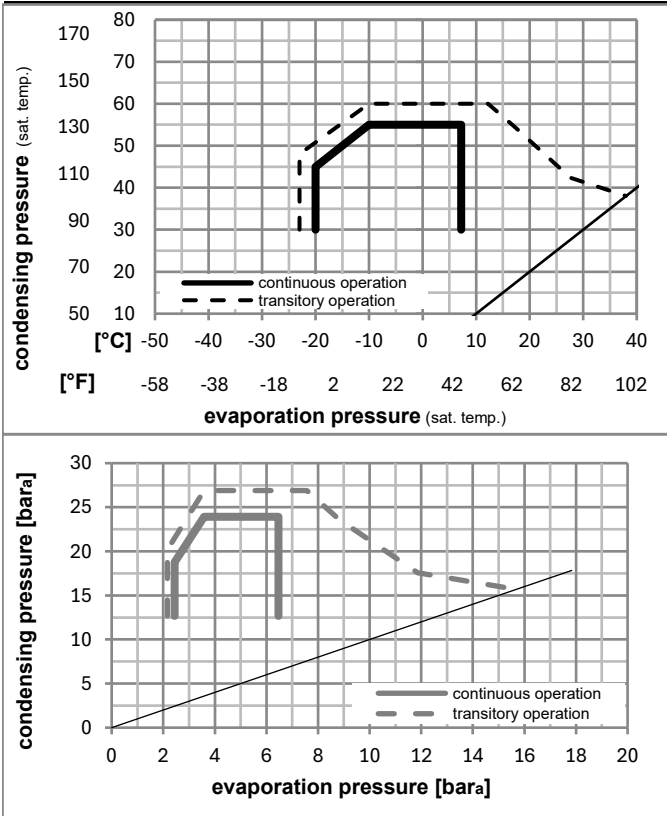
Electrical accessories / wiring diagram



Ambient/ machine room temperatures minimum /maximum

| | |
|---------------------------------|------------------------|
| Ambient temperature range: | 10 - 38°C / 50 - 101°F |
| Machine room temperature range: | 10 - 43°C / 50 - 110°F |
| Compressor cooling: | fan 3m/s |

Operation pressure range



Components (cover, clamp, gasket: incl. and pre assembl.)

| | | |
|----|------------------------|----------|
| a3 | GS starter kit (600mm) | 117-7072 |
| b | cover | 107B9101 |
| b2 | gasket | 107B9100 |
| b1 | clamp | 107B9104 |

Model

Designation **GS26MLX** **220-240V/50Hz** Conf. 4 Sales code: **107B0503**

Optimization + standard conditions

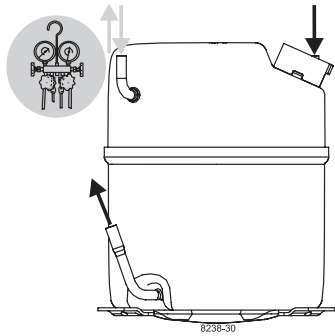
R449A, 220V/50Hz, CSCR, fan 3m/s,

| | Evaporating pressure (saturation temperature) | | | | Cooling capacity | | | COP | EER | | | Power consumption | | | ASHRAE MBP |
|------|---|-----|-----|------|------------------|---------|----------|------|-------|----------|-----------|-------------------|-------|-------------|------------|
| | pe | pc | RGT | Tliq | [W] | [Btu/h] | [kcal/h] | | [W/W] | [Btu/Wh] | [kcal/Wh] | P1 | I | m | |
| [°C] | -7 | 54 | 35 | 46 | 2168,8 | 7407 | 1866,5 | 1,77 | 6,05 | 1,52 | 1224,8 | 6,09 | 48,31 | | |
| [°F] | 20 | 130 | 95 | 115 | | | | | | | | | | | |
| [°C] | -10 | 55 | 32 | 55 | 1651,9 | 5641 | 1421,6 | 1,44 | 4,91 | 1,24 | 1149,4 | 5,76 | 41,31 | cecomaf MBP | |
| [°F] | 14 | 131 | 90 | 131 | | | | | | | | | | | |
| [°C] | -10 | 45 | 20 | 45 | 1945,1 | 6643 | 1674,0 | 1,82 | 6,21 | 1,57 | 1069,2 | 5,42 | 46,45 | EN12900 MBP | |
| [°F] | 14 | 113 | 68 | 113 | | | | | | | | | | | |
| [°C] | -7 | 49 | 18 | 49 | 2070,9 | 7072 | 1782,2 | 1,77 | 6,04 | 1,52 | 1171,6 | 5,86 | 52,63 | ARI540 MBP | |
| [°F] | 20 | 120 | 65 | 120 | | | | | | | | | | | |
| [°C] | -10 | 45 | 32 | 45 | 2026,2 | 6920 | 1743,8 | 1,90 | 6,47 | 1,63 | 1069,2 | 5,42 | 45,15 | opt | |
| [°F] | 14 | 113 | 90 | 113 | | | | | | | | | | | |
| [°C] | -25 | 45 | 32 | 45 | 934,2 | 3190 | 804,0 | 1,25 | 4,26 | 1,07 | 749,4 | 4,04 | 20,48 | opt | |
| [°F] | -13 | 113 | 90 | 113 | | | | | | | | | | | |

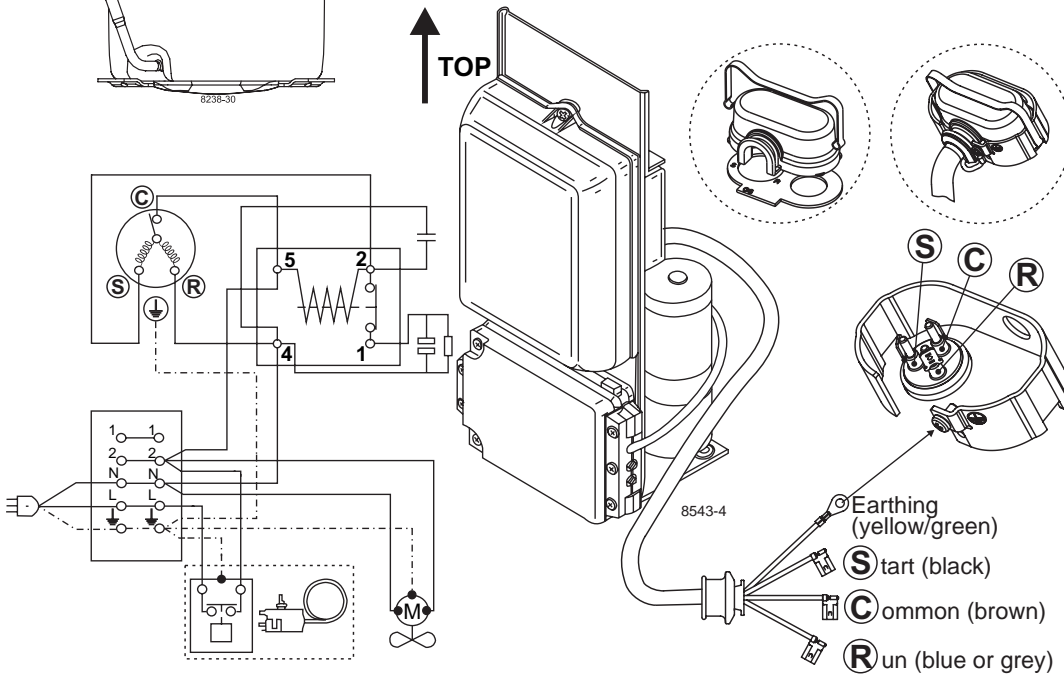
Performance tables

R449A, 220V/50Hz, CSCR, fan 3m/s,

| | pe | | Cooling capacity | | | COP | EER | | P1 | I | m |
|------------------|------|------|------------------|---------|----------|------|-------|----------|--------|------|-------|
| | [°C] | [°F] | [W] | [Btu/h] | [kcal/h] | | [W/W] | [Btu/Wh] | | | |
| [°C / °F] | -20 | -4 | 1242,6 | 4244 | 1069,4 | 1,44 | 4,93 | 1,24 | 861,2 | 4,53 | 27,37 |
| cond. pressure | -15 | 5 | 1603,5 | 5476 | 1380,0 | 1,66 | 5,66 | 1,43 | 967,2 | 4,98 | 35,51 |
| pc= 45/113 | -10 | 14 | 2026,2 | 6920 | 1743,8 | 1,90 | 6,47 | 1,63 | 1069,2 | 5,42 | 45,15 |
| return gas temp. | -7 | 20 | 2343,6 | 8004 | 2016,9 | 2,06 | 7,05 | 1,78 | 1135,1 | 5,70 | 52,48 |
| RGT= 32/90 | -5 | 23 | 2520,0 | 8606 | 2168,7 | 2,16 | 7,36 | 1,86 | 1168,9 | 5,85 | 56,58 |
| liquid temp | 0 | 32 | 3094,3 | 10567 | 2663,0 | 2,44 | 8,33 | 2,10 | 1268,1 | 6,28 | 70,09 |
| Tliq= 45/113 | 7,2 | 45 | 4081,3 | 13938 | 3512,4 | 2,89 | 9,86 | 2,48 | 1413,7 | 6,90 | 93,92 |
| [°C / °F] | -20 | -4 | 987,2 | 3371 | 849,6 | 1,11 | 3,78 | 0,95 | 892,9 | 4,66 | 24,37 |
| cond. pressure | -15 | 5 | 1294,7 | 4422 | 1114,2 | 1,26 | 4,32 | 1,09 | 1024,2 | 5,23 | 32,15 |
| pc= 55/131 | -10 | 14 | 1651,9 | 5641 | 1421,6 | 1,44 | 4,91 | 1,24 | 1149,4 | 5,76 | 41,31 |
| return gas temp | -7 | 20 | 1919,4 | 6555 | 1651,8 | 1,56 | 5,33 | 1,34 | 1229,4 | 6,11 | 48,27 |
| RGT= 32/90 | -5 | 23 | 2068,1 | 7063 | 1779,8 | 1,63 | 5,56 | 1,40 | 1270,0 | 6,28 | 52,16 |
| liquid temp | 0 | 32 | 2552,7 | 8718 | 2196,9 | 1,84 | 6,28 | 1,58 | 1387,9 | 6,79 | 65,03 |
| Tliq= 55/131 | 7,2 | 45 | 3389,5 | 11576 | 2917,1 | 2,18 | 7,44 | 1,87 | 1556,5 | 7,52 | 87,89 |



GS Compressors



| | S | C | R |
|------------|---------|------------|--------------------|
| ENGLISH | Black | Brown | Blue or grey |
| DEUTSCH | Schwarz | Braun | Blau od. grau |
| FRANÇAIS | Noir | Marron | Bleu ou gris |
| ESPAÑOL | Negro | Marrón | Azul o gris |
| ITALIANO | Nero | Marrone | Blu o grigio |
| NEDERLANDS | Zwart | Bruin | Blauw of grijs |
| DANSK | Sort | Brun | Blå eller grå |
| SVENSKA | Svart | Brun | Blå eller grå |
| SUOMEKSI | Musta | Ruskea | Sininen tai harmaa |
| РУССКИЙ | Чёрный | Коричневый | Синий или серый |
| 中文 | 黑色 | 棕色 | 蓝色或灰色 |

Secop accepts no responsibility for possible errors in catalogs, brochures, and other printed material. Secop reserves the right to alter its products without notice. This also applies to products already on order provided that such alterations can be made without consequential changes being necessary to specifications already agreed. All trademarks in this material are the property of the respective companies. Secop and the Secop logotype are trademarks of Secop GmbH. All rights reserved. www.secop.com