

Single Pack SLV15CNK 110-120V 50/60HZ PM

Single pack code number: **195B4748**

| Position | Title | Code | Amount |
|----------|--|----------|--------|
| 1 | Compressor SLV15CNK | 104H8578 | 1 |
| 2 | Electronic unit SLV | 105N4677 | 1 |
| 3 | Bolt joint for one compressor M6 ø16mm | 118-1917 | 1 |

Secop GmbH • Lise-Meitner-Straße 29 • 24941 Flensburg, Germany • Tel: +49 461 4941 0 • www.secop.com

Secop accepts no responsibility for possible errors in catalogs, brochures, and other printed material. Secop reserves the right to alter its products without notice. This also applies to products already on order provided that such alterations can be made without subsequent changes being necessary to specifications already agreed. All trademarks in this material are the property of the respective companies. Secop and the Secop logotype are trademarks of Secop GmbH. All rights reserved.

2,000 rpm EN 12900 Household (CECOMAF)* 115V, 60Hz, fan cooling F₂

| | | | | | | | | | | | | | | | | | |
|--------------------|-----|------|------|------|------|-------|------|------|------|------|----|---|---|-----|----|----|----|
| Evap. temp. in °C | -45 | -40 | -35 | -30 | -25 | -23.3 | -20 | -15 | -10 | -6.7 | -5 | 0 | 5 | 7.2 | 10 | 15 | 20 |
| Capacity in W | | 175 | 236 | 311 | 402 | 437 | 510 | 638 | 786 | | | | | | | | |
| Power cons. in W | | 192 | 229 | 266 | 303 | 315 | 338 | 372 | 402 | | | | | | | | |
| Current cons. in A | | 1.93 | 2.28 | 2.62 | 2.95 | 3.06 | 3.25 | 3.56 | 3.85 | | | | | | | | |
| COP in W/W | | 0.91 | 1.03 | 1.17 | 1.33 | 1.39 | 1.51 | 1.72 | 1.96 | | | | | | | | |

2,500 rpm EN 12900 Household (CECOMAF)* 115V, 60Hz, fan cooling F₂

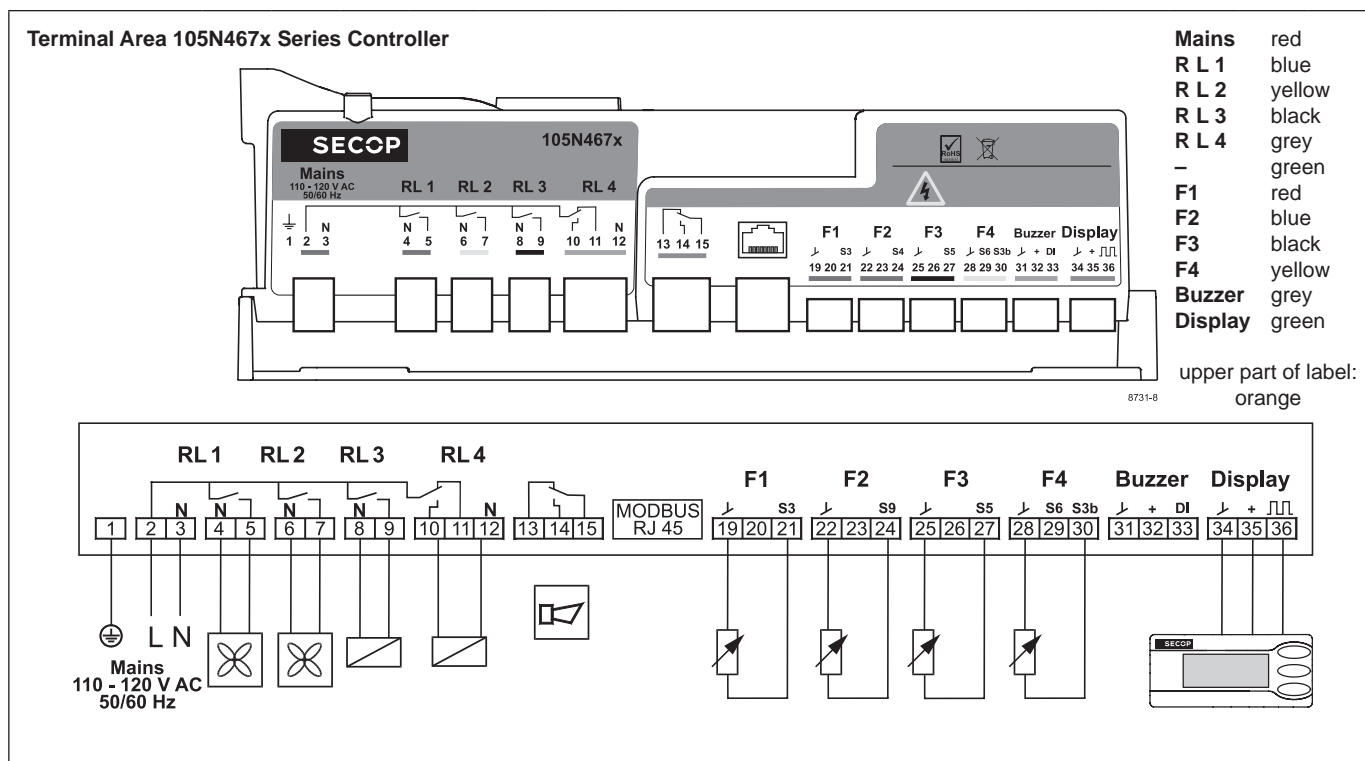
| | | | | | | | | | | | | | | | | | |
|--------------------|-----|------|------|------|------|-------|------|------|------|------|----|---|---|-----|----|----|----|
| Evap. temp. in °C | -45 | -40 | -35 | -30 | -25 | -23.3 | -20 | -15 | -10 | -6.7 | -5 | 0 | 5 | 7.2 | 10 | 15 | 20 |
| Capacity in W | | 218 | 297 | 393 | 509 | 553 | 645 | 805 | 990 | | | | | | | | |
| Power cons. in W | | 242 | 284 | 327 | 371 | 385 | 414 | 455 | 493 | | | | | | | | |
| Current cons. in A | | 2.26 | 2.66 | 3.06 | 3.44 | 3.58 | 3.85 | 4.25 | 4.63 | | | | | | | | |
| COP in W/W | | 0.90 | 1.05 | 1.20 | 1.37 | 1.43 | 1.56 | 1.77 | 2.01 | | | | | | | | |

3,000 rpm EN 12900 Household (CECOMAF)* 115V, 60Hz, fan cooling F₂

| | | | | | | | | | | | | | | | | | |
|--------------------|-----|------|------|------|------|-------|------|------|------|------|----|---|---|-----|----|----|----|
| Evap. temp. in °C | -45 | -40 | -35 | -30 | -25 | -23.3 | -20 | -15 | -10 | -6.7 | -5 | 0 | 5 | 7.2 | 10 | 15 | 20 |
| Capacity in W | | 258 | 353 | 467 | 602 | 652 | 759 | 941 | 1151 | | | | | | | | |
| Power cons. in W | | 271 | 331 | 388 | 441 | 458 | 489 | 533 | 571 | | | | | | | | |
| Current cons. in A | | 2.56 | 3.00 | 3.44 | 3.88 | 4.04 | 4.32 | 4.78 | 5.22 | | | | | | | | |
| COP in W/W | | 0.95 | 1.07 | 1.21 | 1.37 | 1.43 | 1.55 | 1.77 | 2.02 | | | | | | | | |

4,000 rpm EN 12900 Household (CECOMAF)* 115V, 60Hz, fan cooling F₂

| | | | | | | | | | | | | | | | | | |
|--------------------|-----|------|------|------|------|-------|------|------|------|------|----|---|---|-----|----|----|----|
| Evap. temp. in °C | -45 | -40 | -35 | -30 | -25 | -23.3 | -20 | -15 | -10 | -6.7 | -5 | 0 | 5 | 7.2 | 10 | 15 | 20 |
| Capacity in W | | 325 | 460 | 615 | 792 | 858 | 996 | 1228 | 1494 | | | | | | | | |
| Power cons. in W | | 355 | 436 | 512 | 583 | 607 | 650 | 713 | 771 | | | | | | | | |
| Current cons. in A | | 3.21 | 3.86 | 4.51 | 5.13 | 5.32 | 5.72 | 6.27 | 6.81 | | | | | | | | |
| COP in W/W | | 0.92 | 1.06 | 1.20 | 1.36 | 1.42 | 1.53 | 1.72 | 1.94 | | | | | | | | |



| Accessories for | SLV15CNK | Code number |
|-------------------------------|----------|-------------|
| Cover | | 103N2008 |
| Mounting accessories | | Code number |
| Bolt joint for one compressor | Ø: 16 mm | 118-1917 |
| Bolt joint in quantities | Ø: 16 mm | 118-1918 |
| Snap-on in quantities | Ø: 16 mm | 118-1919 |

| Test conditions | EN 12900/CECOMAF* |
|-------------------------|-------------------|
| Condensing temperature | 45°C |
| Ambient temperature | 32°C |
| Suction gas temperature | 32°C |
| Liquid temperature | no subcooling |

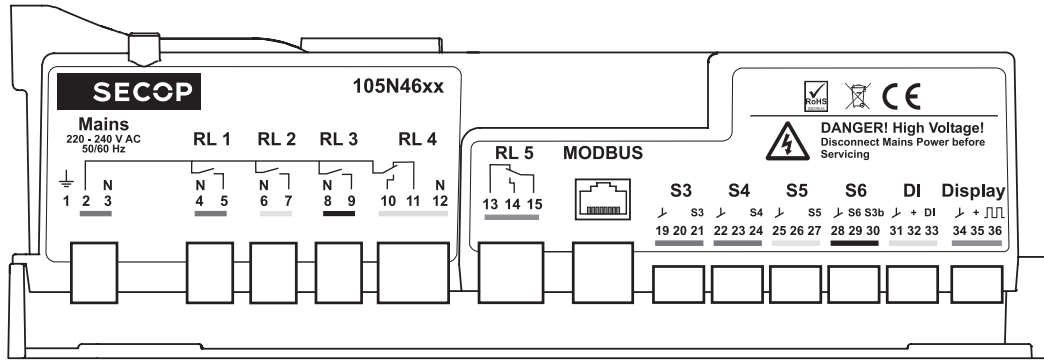
Secop accepts no responsibility for possible errors in catalogs, brochures, and other printed material. Secop reserves the right to alter its products without notice. This also applies to products already on order provided that such alterations can be made without substantial changes being necessary to specifications already agreed. All trademarks in this material are the property of the respective companies. Secop and the Secop logotype are trademarks of Secop GmbH. All rights reserved. www.secop.com



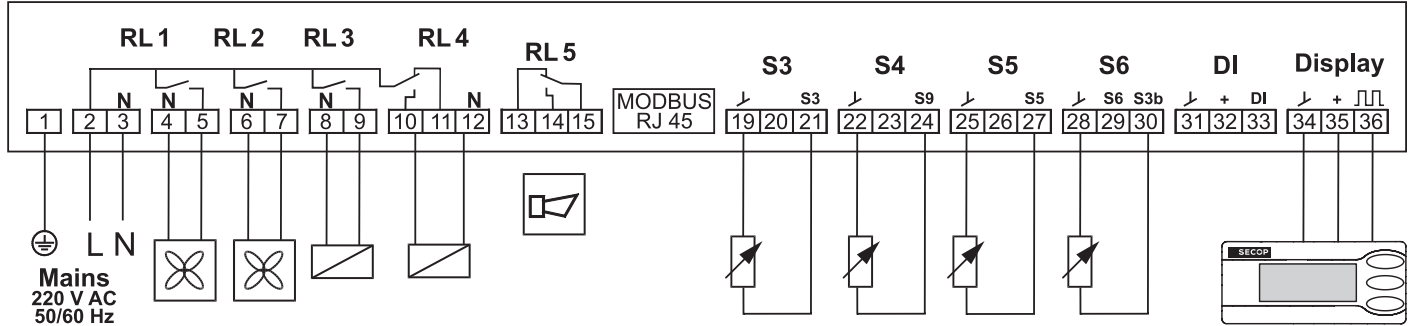
Instructions

SLV Compressors
220-240V 50/60Hz
105N46xx
Series Controllers

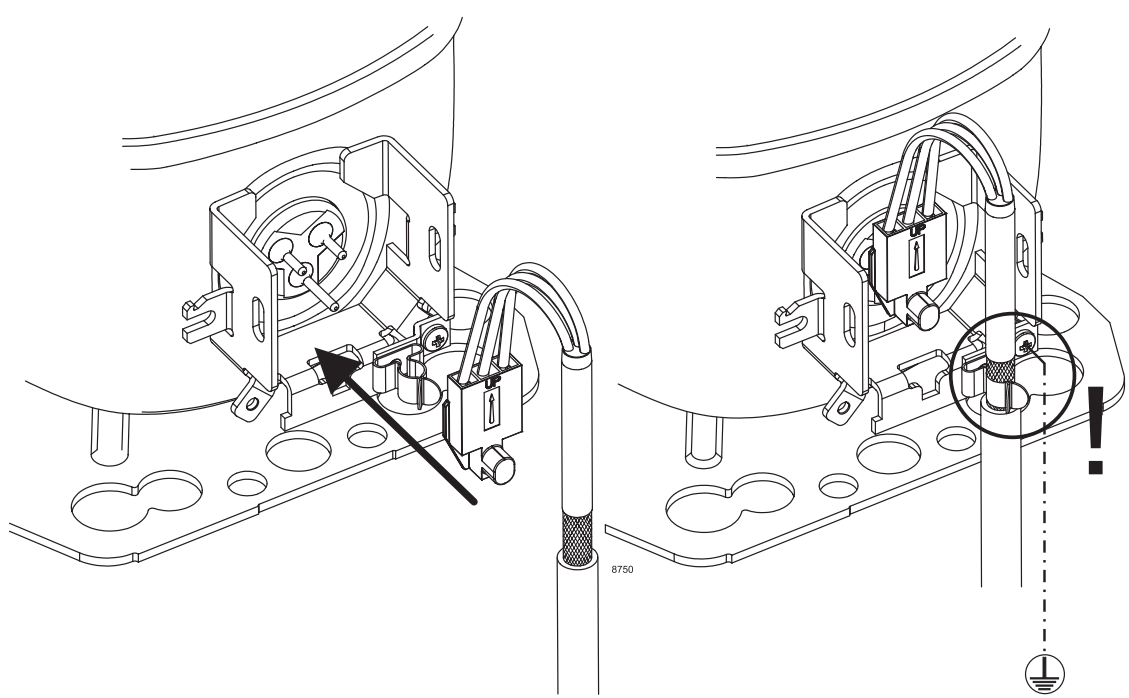
SECCP



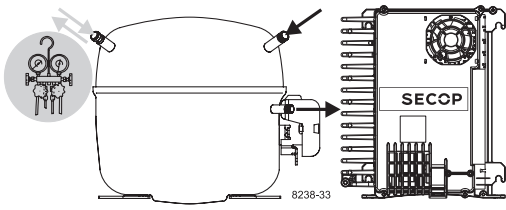
8731-3



| | | | |
|--------------|--------|----------------|--------|
| Mains | red | S3 | red |
| RL 1 | blue | S4 | blue |
| RL 2 | yellow | S5 | yellow |
| RL 3 | black | S6 | black |
| RL 4 | grey | DI | grey |
| RL 5 | green | Display | green |



8750



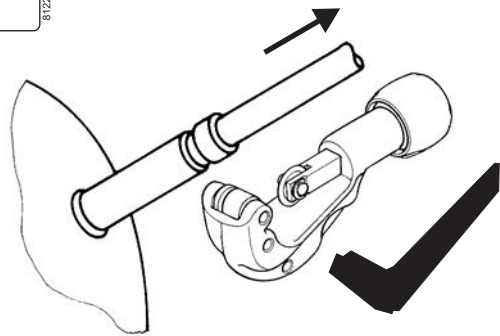
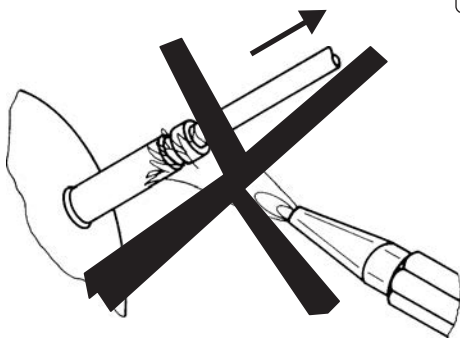
Instructions

SLV Compressors
220-240V 50/60Hz
105N46xx
Series Controllers

SECCP



Service/Repair – R290



8545

min. 3 m/s !



| | |
|--------------------------------------|---|
| Airflow | 3 m/s |
| Operating conditions | -10 °C to 43 °C - humidity < 90 % rH non condensing |
| Operating conditions 105N4630 | + 5 °C to 43 °C - humidity < 90 % rH non condensing |
| Storage conditions | -20 °C to 70 °C - humidity < 90 % rH non condensing |
| Supply voltage | 230 V (+15 % / - 20 %) |
| Frequency | 50/60 Hz |
| Input power rating | 1000 W at 230 V (+15 % / - 20 %) |

Secop accepts no responsibility for possible errors in catalogs, brochures, and other printed material. Secop reserves the right to alter its products without notice. This also applies to products already on order provided that such alterations can be made without subsequent changes being necessary to specifications already agreed. All trademarks in this material are the property of the respective companies. Secop and the Secop logotype are trademarks of Secop GmbH. All rights reserved. www.secop.com