

Single Pack SC10CL 220-240V 50Hz CSIR

Single pack code number: **195B4070**

Position	Title	Code	Amount
1	Compressor SC10CL	104L2523	1
2	Starting relay	117U6003	1
3	Starting capacitor (80 μ F 220V, 6.3mm)	117U5017	1
4	Cord relief	103N1004	1
5	Cover	103N2009	1
6	Bolt joint for one compressor M6 \varnothing 16mm	118-1917	1

Secop GmbH • Lise-Meitner-Straße 29 • 24941 Flensburg, Germany • Tel: +49 461 4941 0 • www.secop.com

Secop accepts no responsibility for possible errors in catalogs, brochures, and other printed material. Secop reserves the right to alter its products without notice. This also applies to products already on order provided that such alterations can be made without subsequent changes being necessary to specifications already agreed. All trademarks in this material are the property of the respective companies. Secop and the Secop logotype are trademarks of Secop GmbH. All rights reserved.

Model

Designation	SC10CL	220-240V/50Hz 1~	Sales code:	104L2523
-------------	---------------	------------------	-------------	-----------------

Compressor design

Oil type	Polyolester	Refrigerant(s)	R404A, R452A, R507
Oil viscosity	32cST	Displacement	10,29cm ³ / 0,63cu.in
Oil quantity	550cm ³ / 18,6fl.oz	Compressors on pallet	80
Refr. charge - tech. limit	1300g / 45,9oz		
Free gas volume comp.	1460cm ³ / 49,4fl.oz		
Weight	13,1kg / 28,9lbs		
Motor protection	1# internal		
Winding resistance main	6,9Ω (at 25°C)		
Winding resistance aux	11Ω (at 25°C)		
Max. winding temp.	125°C / 257°F		
Max. discharge temp.	130°C / 266°F		



General - Configurations with SC10CL

	Conf. 1	Conf. 2
Motorconfiguration	CSIR	CSIR
Power supply (nominal)	220-240V/50Hz	220-240V/50Hz
Number of phases	1	1
Voltage range	198-254V	198-254V
Approvals	VDE, CCC, EAC	VDE, CCC
Starting torque	HST	HST
Note	- / -	

Applications with SC10CL

	Conf. 1	Conf. 2
Refrigerant	R404A	R452A
Application	LBP	LBP
System cooling	fan 3m/s	fan 3m/s
Hot gas defrost	OK	OK
Long interval pull down	OK	OK

Electrical data - Configurations with SC10CL

	Conf. 1	Conf. 2
Starting device type	relay	relay
Run capacitor	- / -	- / -
Start capacitor	80μF	80μF
LRA (locked rotor amps / 4s)	13A	13A
RLA (rated load amps / 1s)	2,5A	2,5A
Cut in current	17A	17A

Model

Designation

SC10CL

220-240V/50Hz 1~

Sales code:

104L2523

Compressor dimensions

Housing	A Height	209mm / 8,23in
	B Height	203mm / 7,99in
	C Length shell	218mm / 8,58in
	D Length w. cover	255mm / 10,04in
	E Width	151mm / 5,94in

Connectors	Suction X	Discharge Y	Process Z
Diameter [mm]	øi 8,11-8,29	øi 6,11-6,29	øi 6,11-6,29
(i:inside, o:outside) [in]	øi 0,32-0,33	øi 0,24-0,25	øi 0,24-0,25
Material	copper	copper	copper
Horizontal angle ±2°	37°	37°	143°
Vertical angle ±2°	30°	0°	150°
Position l/h/w [mm]	107/183/55	115/100/63	-107/183/55
[in]	4,2/7,2/2,2	4,5/3,9/2,5	-4,2/7,2/2,2
Straight tube l. [mm]	12	12	12
[in]	0,5	0,5	0,5



Compressor fixation



Bolt joint



Snap-on



Mounting accessories

	one comp.	multi pack
Bolt joint M6 ø16mm	118-1917	118-1918
Bolt joint ø1/4" ø16mm	118-1946	
Bolt joint ø1/4" ø19mm	118-1949	
Snap-on ø7,3 ø16mm	118-1947	118-1919

Application notes

Provision for PE Grounding is located at the PE Stamp on the compressor

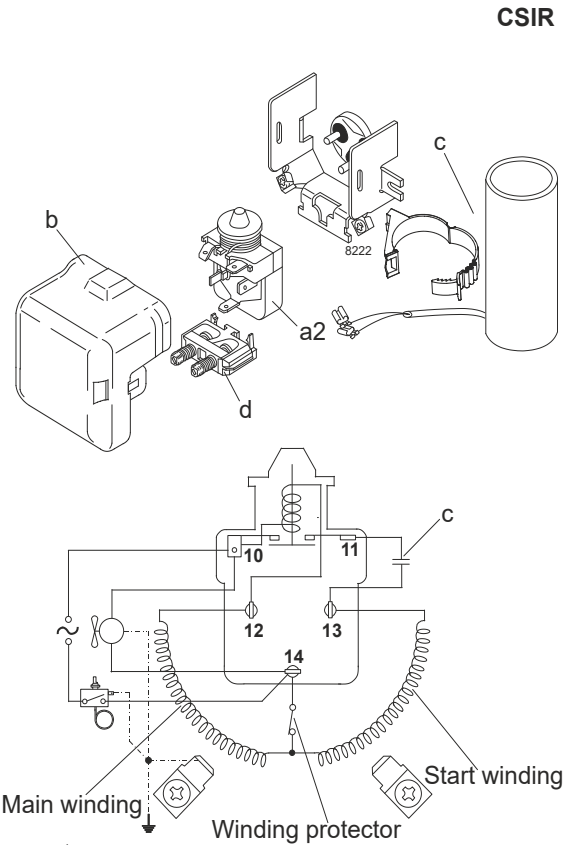
Model

Designation	SC10CL	220-240V/50Hz	Conf. 1	Sales code:	104L2523
-------------	---------------	----------------------	----------------	-------------	-----------------

Configuration

Motorconfiguration	CSIR
Power supply (nominal)	220-240V/50Hz 1~
Refrigerant	R404A
Application	LBP
Voltage range	198-254V
Starting torque	HST
Approvals	VDE CCC EAC

Electrical accessories / wiring diagram

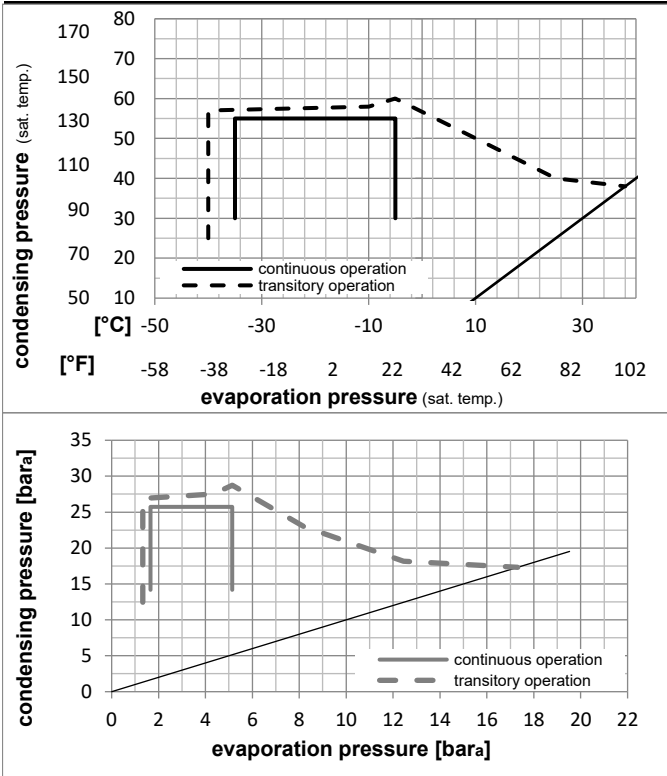


Ambient/ machine room temperatures minimum /maximum

Ambient temperature range:	10 - 38°C / 50 - 101°F
Machine room temperature range:	10 - 43°C / 50 - 110°F
Compressor cooling:	fan 3m/s

Operation Limits

Operation pressure range



Components

a2	assy. relay	117U6003
c	start capacitor (80μF)	117U5017
d	cord relief	103N1004
b	plastic cover	103N2009

Model

Designation **SC10CL** **220-240V/50Hz** Conf. 1 Sales code: **104L2523**

Optimization + standard conditions

R404A, 220V/50Hz, CSIR, fan 3m/s, VDE, CCC, EAC

		Evaporating pressure (saturation temperature)				Condensing pressure (saturation temperature)			Return gas temp.			Liquid temp.			Cooling capacity			COP	EER	Power consumption			
		pe	pc	RGT	Tliq	[W]	[Btu/h]	[kcal/h]	[W/W]	[Btu/Wh]	[kcal/Wh]	P1	I	m	[W]	[A]	[kg/h]						
[°C]	[°F]																						
-23	-10	54	130	32	90	400,3	1367	344,5	1,13	3,85	0,97	355,2	2,28	9,33							ASHRAE LBP		
-25	-13	55	131	32	90	261,4	893	225,0	0,79	2,69	0,68	332,5	2,21	8,17							cecomaf LBP		
-35	-31	40	104	20	68	196,7	672	169,3	0,79	2,69	0,68	249,7	1,93	5,34							EN12900 LBP		
-23	-10	49	120	4,4	40	312,1	1066	268,6	0,85	2,91	0,73	365,9	2,28	11,05							ARI540 LBP		
-23	-10	41	105	32	90	498,0	1701	428,5	1,34	4,58	1,15	371,1	2,26	11,60							AHAM LBP		
-35	-31	45	113	32	90	168,1	574	144,6	0,69	2,36	0,60	242,8	1,91	4,49							opt		

Performance tables

R404A, 220V/50Hz, CSIR, fan 3m/s, VDE, CCC, EAC

	pe		Cooling capacity			COP	EER	P1	I	m	
	[°C]	[°F]	[W]	[Btu/h]	[kcal/h]	[W/W]	[Btu/Wh]	[kcal/Wh]	[W]	[A]	[kg/h]
[°C / °F]	-35	-31	168,1	574	144,6	0,69	2,36	0,60	242,8	1,91	4,49
cond. pressure	-30	-22	258,5	883	222,4	0,88	3,01	0,76	293,6	2,05	6,94
pc= 45/113	-25	-13	365,0	1246	314,1	1,04	3,56	0,90	350,3	2,22	9,84
return gas temp.	-23	-10	405,2	1384	348,7	1,09	3,74	0,94	370,4	2,27	10,95
RGT= 32/90	-20	-4	489,5	1672	421,3	1,19	4,07	1,03	410,3	2,39	13,28
liquid temp	-15	5	634,0	2165	545,6	1,35	4,60	1,16	470,9	2,59	17,32
Tliq= 45/113	-5	23	990,5	3383	852,5	1,70	5,79	1,46	584,2	3,04	27,54
[°C / °F]	-35	-31	95,3	326	82,0	0,42	1,45	0,36	225,0	1,84	2,95
cond. pressure	-30	-22	171,7	586	147,8	0,63	2,14	0,54	273,7	2,01	5,34
pc= 55/131	-25	-13	261,4	893	225,0	0,79	2,69	0,68	332,5	2,21	8,17
return gas temp	-23	-10	295,3	1009	254,2	0,83	2,85	0,72	354,3	2,28	9,25
RGT= 32/90	-20	-4	366,4	1251	315,4	0,92	3,14	0,79	398,8	2,42	11,53
liquid temp	-15	5	488,6	1669	420,5	1,04	3,55	0,89	470,1	2,64	15,49
Tliq= 55/131	-5	23	792,1	2705	681,7	1,28	4,38	1,10	617,3	3,15	25,64

Model

Designation	SC10CL	220-240V/50Hz	Conf. 2	Sales code:	104L2523
-------------	---------------	----------------------	----------------	-------------	-----------------

Configuration

Motorconfiguration	CSIR
Power supply (nominal)	220-240V/50Hz 1~
Refrigerant	R452A
Application	LBP
Voltage range	198-254V
Starting torque	HST
Approvals	VDE CCC

Electrical accessories / wiring diagram

CSIR

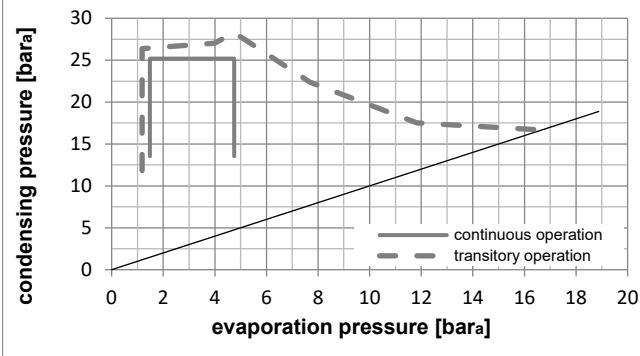
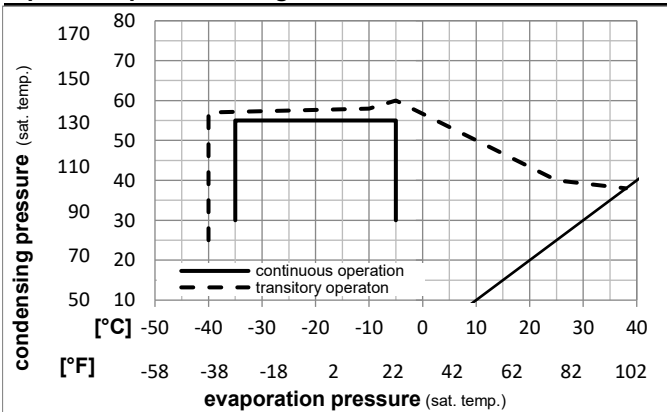


Ambient/ machine room temperatures minimum /maximum

Ambient temperature range:	10 - 38°C / 50 - 101°F
Machine room temperature range:	10 - 43°C / 50 - 110°F
Compressor cooling:	fan 3m/s

Operation Limits

Operation pressure range



Components

a2	assy. relay	117U6003
c	start capacitor (80µF)	117U5017
d	cord relief	103N1004
b	plastic cover	103N2009

Model

Designation **SC10CL** **220-240V/50Hz** Conf. 2 Sales code: **104L2523**

Optimization + standard conditions

R452A, 220V/50Hz, CSIR, fan 3m/s, VDE, CCC

		Evaporating pressure (saturation temperature)				Condensing pressure (saturation temperature)					Power consumption				
		Return gas temp.			Liquid temp.		Cooling capacity			COP	EER	Current consumption		Ref. mass flow	
		pe	pc	RGT	Tliq	[W]	[Btu/h]	[kcal/h]	[W/W]	[Btu/Wh]	[kcal/Wh]	P1	I	m	
[°C]	[°F]	[°C]	[°F]	[°C]	[°C]							[W]	[A]	[kg/h]	
[°C]	-23	54	32	32	365,2	1247	314,3	1,09	3,74	0,94	333,8	2,20	8,78	ASHRAE LBP	
[°F]	-10	130	90	90											
[°C]	-25	55	32	55	240,5	821	206,9	0,77	2,63	0,66	311,8	2,12	7,65	cecomaf LBP	
[°F]	-13	131	90	131											
[°C]	-35	40	20	40	177,0	604	152,3	0,76	2,60	0,65	232,9	1,85	4,94	EN12900 LBP	
[°F]	-31	104	68	104											
[°C]	-23	49	4,4	49	289,4	988	249,0	0,84	2,87	0,72	344,4	2,24	10,40	ARI540 LBP	
[°F]	-10	120	40	120											
[°C]	-23	41	32	32	457,6	1563	393,8	1,31	4,47	1,13	349,9	2,26	11,00	AHAM LBP	
[°F]	-10	105	90	90											
[°C]	-35	45	32	45	150,7	515	129,7	0,67	2,28	0,57	226,0	1,82	4,14	opt	
[°F]	-31	113	90	113											

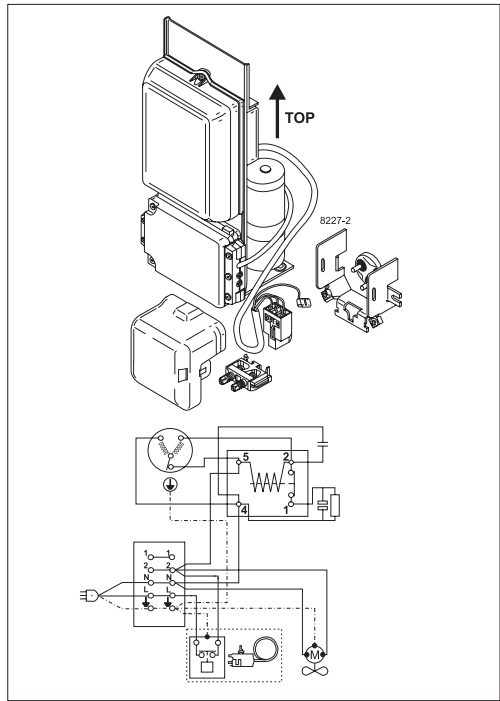
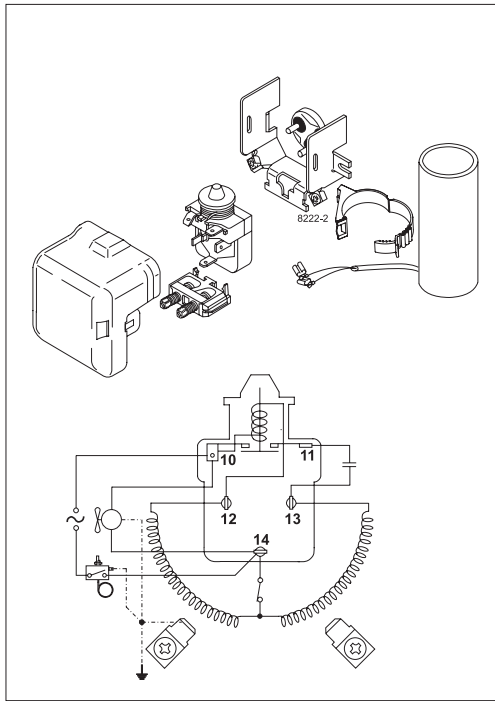
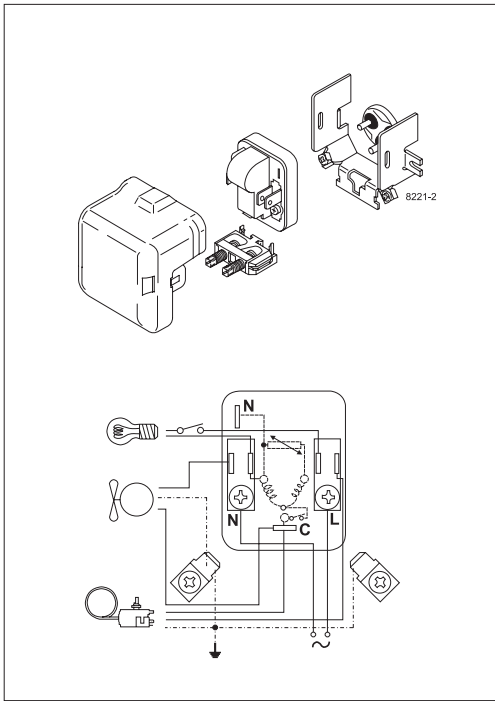
Performance tables

R452A, 220V/50Hz, CSIR, fan 3m/s, VDE, CCC

	pe		Cooling capacity			COP	EER	P1	I	m	
	[°C]	[°F]	[W]	[Btu/h]	[kcal/h]	[W/W]	[Btu/Wh]				[kcal/Wh]
[°C / °F]	-35	-31	150,7	515	129,7	0,67	2,28	0,57	226,0	1,82	4,14
cond. pressure	-30	-22	235,1	803	202,3	0,86	2,92	0,74	274,8	2,00	6,48
pc= 45/113	-25	-13	335,6	1146	288,8	1,02	3,48	0,88	329,5	2,19	9,28
return gas temp.	-23	-10	373,8	1276	321,7	1,07	3,66	0,92	349,0	2,26	10,36
RGT= 32/90	-20	-4	454,1	1551	390,8	1,17	4,00	1,01	387,7	2,39	12,63
liquid temp	-15	5	592,7	2024	510,1	1,33	4,53	1,14	447,2	2,60	16,58
Tliq= 45/113	-5	23	937,9	3203	807,1	1,67	5,72	1,44	560,2	2,99	26,65
[°C / °F]	-35	-31	84,7	289	72,9	0,41	1,39	0,35	208,4	1,76	2,67
cond. pressure	-30	-22	155,8	532	134,1	0,61	2,09	0,53	255,0	1,93	4,93
pc= 55/131	-25	-13	240,5	821	206,9	0,77	2,63	0,66	311,8	2,12	7,65
return gas temp	-23	-10	272,7	931	234,7	0,82	2,80	0,70	332,9	2,20	8,69
RGT= 32/90	-20	-4	340,7	1163	293,2	0,91	3,09	0,78	376,2	2,35	10,90
liquid temp	-15	5	458,4	1565	394,5	1,03	3,51	0,88	446,0	2,59	14,78
Tliq= 55/131	-5	23	754,2	2576	649,1	1,27	4,35	1,10	592,0	3,11	24,75



SC Compressors





SC Compressors

Service/Repair – R290



8545



Secop accepts no responsibility for possible errors in catalogs, brochures, and other printed material. Secop reserves the right to alter its products without notice. This also applies to products already on order provided that such alterations can be made without subsequent changes being necessary to specifications already agreed. All trademarks in this material are the property of the respective companies. Secop and the Secop logotype are trademarks of Secop GmbH. All rights reserved. www.secop.com