

## Single Pack NL6.1MLX 220-240V 50Hz / 208-230V 60Hz CSIR

Single pack code number: **195B4148**

Position	Title	Code	Amount
1	Compressor NL6.1MLX	105F3611	1
2	Starting relay	117U6022	1
3	Starting capacitor (80 $\mu$ F 220V, 6.3mm)	117U5015	1
4	Cord relief	103N1010	1
5	Cover	103N2011	1
6	Bolt joint for one compressor   M6   $\varnothing$ 16mm	118-1917	1

Secop GmbH • Lise-Meitner-Straße 29 • 24941 Flensburg, Germany • Tel: +49 461 4941 0 • [www.secop.com](http://www.secop.com)

Secop accepts no responsibility for possible errors in catalogs, brochures, and other printed material. Secop reserves the right to alter its products without notice. This also applies to products already on order provided that such alterations can be made without subsequent changes being necessary to specifications already agreed. All trademarks in this material are the property of the respective companies. Secop and the Secop logotype are trademarks of Secop GmbH. All rights reserved.

## NL6.1MLX MBP Compressor R404A/R507 220-240V 50Hz & 208-230V 60Hz

### General

Code number	105F3611
Approvals	EN 60335-2-34, UL984
Compressors on pallet	80

### Application

Application	MBP			
	Hz	50	60	
Frequency	Hz	50	60	
Evaporating temperature	°C	-23.3 to 7.2	-23.3 to 7.2	
Voltage range	V	187 - 254	187 - 254	
Max. condensing temperature continuous (short)	°C	55 (60)	55 (60)	
Max. winding temperature continuous (short)	°C	125 (135)	125 (135)	

### Cooling requirements

Frequency	Hz	50			60		
		LBP	MBP	HBP	LBP	MBP	HBP
32°C		-	F <sub>2</sub>	-	-	F <sub>2</sub>	-
38°C		-	F <sub>2</sub>	-	-	F <sub>2</sub>	-
43°C		-	F <sub>2</sub>	-	-	F <sub>2</sub>	-
Remarks on application:							

### Motor

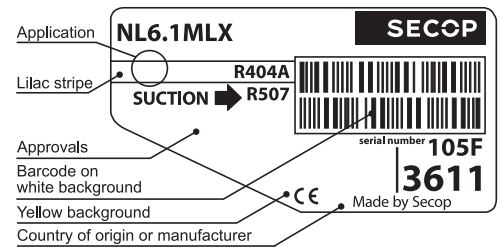
Motor type	CSIR		
LRA (rated after 4 sec. UL984), HST   LST	A	16.6	-
Cut in Current, HST   LST	A	16.6	-
Resistance, main   start winding (25°C)	Ω	6.1	17.5

### Design

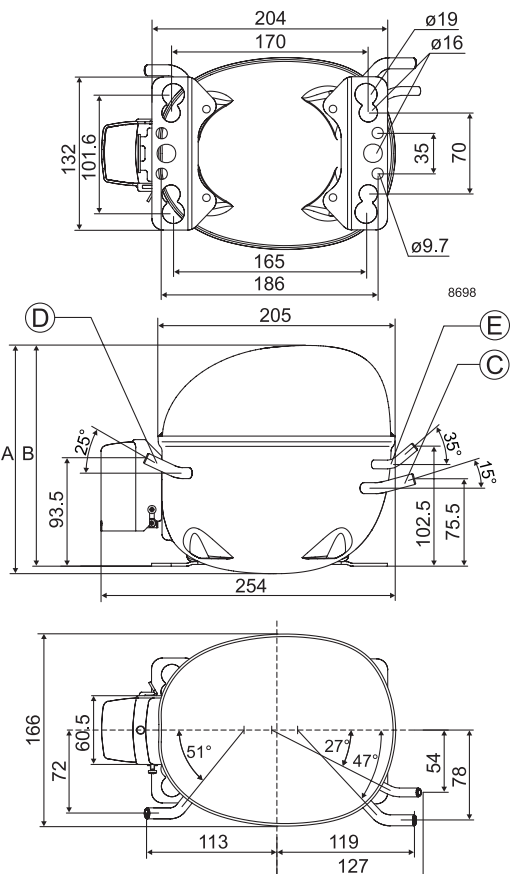
Displacement	cm <sup>3</sup>	6.13
Oil quantity (type)	cm <sup>3</sup>	300 (polyolester)
Maximum refrigerant charge	g	400
Free gas volume in compressor	cm <sup>3</sup>	2310
Weight without electrical equipment	kg	10.5

### Dimensions

Height	mm	A	203
		B	197
		B1	-
		B2	-
Suction connector	location/I.D. mm   angle	C	8.2   15°
	material   comment		Copper   Rubber plug
Process connector	location/I.D. mm   angle	D	6.5   25°
	material   comment		Copper   Rubber plug
Discharge connector	location/I.D. mm   angle	E	6.5   35°
	material   comment		Copper   Rubber plug
Oil cooler connector	location/I.D. mm   angle	F	-
	material   comment		-
Connector tolerance	I.D. mm		±0.09
Remarks:			



- S = Static cooling normally sufficient
- O = Oil cooling
- F<sub>1</sub> = Fan cooling 1.5 m/s (compressor compartment temperature equal to ambient temperature)
- F<sub>2</sub> = Fan cooling 3.0 m/s necessary
- SG = Suction gas cooling normally sufficient
- = not applicable in this area



**ASHRAE MBP**

 230V, 60Hz, fan cooling F<sub>2</sub>

Evap. temp. in °C	-45	-40	-35	-30	-25	-23.3	-20	-15	-10	-6.7	-5	0	5	7.2	10	15	20
Capacity in W						298	359	462	580	668	717	873	1052	1139			
Power cons. in W						282	310	352	392	419	432	471	508	525			
Current cons. in A						1.89	1.99	2.14	2.29	2.39	2.45	2.61	2.77	2.84			
COP in W/W						1.06	1.16	1.31	1.48	1.60	1.66	1.86	2.07	2.17			

**EN 12900 Household (CECOMAF)**

 230V, 60Hz, fan cooling F<sub>2</sub>

Evap. temp. in °C	-45	-40	-35	-30	-25	-23.3	-20	-15	-10	-6.7	-5	0	5	7.2	10	15	20
Capacity in W						339	401	507	630	720	771	932	1116	1205			
Power cons. in W						276	300	334	368	389	400	431	462	476			
Current cons. in A						1.88	1.96	2.08	2.20	2.29	2.33	2.46	2.60	2.66			
COP in W/W						1.23	1.34	1.52	1.71	1.85	1.93	2.16	2.42	2.53			

**ASHRAE MBP**

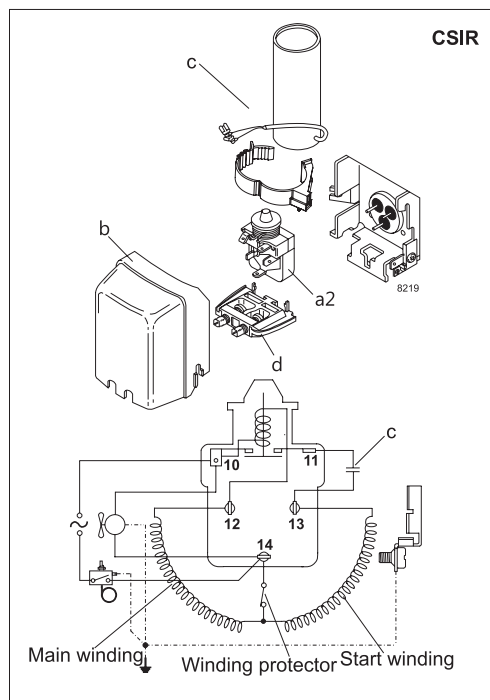
 220V, 50Hz, fan cooling F<sub>2</sub>

Evap. temp. in °C	-45	-40	-35	-30	-25	-23.3	-20	-15	-10	-6.7	-5	0	5	7.2	10	15	20
Capacity in W						248	299	387	488	562	603	736	888	962			
Power cons. in W						255	275	305	334	352	362	388	412	422			
Current cons. in A						2.18	2.22	2.30	2.38	2.43	2.46	2.55	2.64	2.68			
COP in W/W						0.97	1.09	1.27	1.46	1.59	1.67	1.90	2.16	2.28			

**EN 12900 Household (CECOMAF)**

 220V, 50Hz, fan cooling F<sub>2</sub>

Evap. temp. in °C	-45	-40	-35	-30	-25	-23.3	-20	-15	-10	-6.7	-5	0	5	7.2	10	15	20
Capacity in W						281	334	425	530	608	650	789	946	1022			
Power cons. in W						244	261	287	312	327	335	356	375	383			
Current cons. in A						2.12	2.16	2.22	2.29	2.33	2.36	2.43	2.50	2.54			
COP in W/W						1.16	1.28	1.48	1.70	1.86	1.94	2.22	2.52	2.67			



Accessories for	NL6.1MLX	Figure	Code number	Test conditions	EN 12900/CECOMAF	ASHRAE MBP
PTC starting device	6.3 mm spade connectors	a1	–	Condensing temperature	45°C	54.4°C
	4.8 mm spade connectors		–	Ambient temperature	32°C	35°C
Starting relay	6.3 mm spade connectors	a2	117U6022	Suction gas temperature	32°C	35°C
Cover (UL approved)		b	103N2011	Liquid temperature	no subcooling	46.1°C
Start. capacitor 80 µF	6.3 mm spade connectors	c	117U5015			
Cord relief		d	103N1010			
Protection screen for PTC		g	–			
				<b>Mounting accessories</b>	<b>Code number</b>	
				Bolt joint for one comp.	Ø: 16 mm	118-1917
				Bolt joint in quantities	Ø: 16 mm	118-1918
				Snap-on in quantities	Ø: 16 mm	118-1919

Secop accepts no responsibility for possible errors in catalogs, brochures, and other printed material. Secop reserves the right to alter its products without notice. This also applies to products already on order provided that such alterations can be made without subsequential changes being necessary to specifications already agreed. All trademarks in this material are the property of the respective companies. Secop and the Secop logotype are trademarks of Secop GmbH. All rights reserved. [www.secop.com](http://www.secop.com)

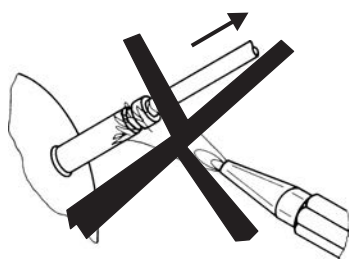


# NL Compressors





## Service/Repair – R600a, R290



8545

## Brazing on Suction Connectors (Direct Intake)

representative image



**! max. 150°C/302°F !  
at socket**  
brazing solder: phosphor (LP7) or silver

Refer to Product Bulletin:  
**Brazing on Suction Connectors  
(Compressors with Direct Suction Intake)**

Secop accepts no responsibility for possible errors in catalogs, brochures, and other printed material. Secop reserves the right to alter its products without notice. This also applies to products already on order provided that such alterations can be made without subsequential changes being necessary to specifications already agreed. All trademarks in this material are the property of the respective companies. Secop and the Secop logotype are trademarks of Secop GmbH. All rights reserved. [www.secop.com](http://www.secop.com)