

## Single Pack SC15MLX 115-127V 60Hz CSIR

Single pack code number: **195B4161**

| Position | Title                                      | Code     | Amount |
|----------|--|----------|--------|
| 1        | Compressor SC15MLX                         | 104L1805 | 1      |
| 2        | SC starting device (600mm)                 | 117-7053 | 1      |
| 3        | Bolt joint for one compressor   M6   ø16mm | 118-1917 | 1      |

**Secop GmbH** • Lise-Meitner-Straße 29 • 24941 Flensburg, Germany • Tel: +49 461 4941 0 • [www.secop.com](http://www.secop.com)

Secop accepts no responsibility for possible errors in catalogs, brochures, and other printed material. Secop reserves the right to alter its products without notice. This also applies to products already on order provided that such alterations can be made without subsequent changes being necessary to specifications already agreed. All trademarks in this material are the property of the respective companies. Secop and the Secop logotype are trademarks of Secop GmbH. All rights reserved.

## SC15MLX MBP Compressor R404A/R507 115V 60Hz

### General

|                       |          |
|-----------------------|----------|
| Code number           | 104L1805 |
| Approvals             | UL984    |
| Compressors on pallet | 60       |

### Application

| Application                                    | MBP |    |           |  |
|--|-----|----|-----------|--|
| Frequency                                      | Hz  | 50 | 60        |  |
| Evaporating temperature                        | °F  | -  | -10 to 45 |  |
| Voltage range                                  | V   | -  | 95 - 135  |  |
| Max. condensing temperature continuous (short) | °F  | -  | 131 (140) |  |
| Max. winding temperature continuous (short)    | °F  | -  | 257 (275) |  |

### Cooling requirements

| Frequency   | Hz | 50  |     |     | 60  |                |     |
|---|----|-----|-----|-----|-----|----------------|-----|
| Application   |    | LBP | MBP | HBP | LBP | MBP            | HBP |
| 90°F  |    | -   | -   | -   | -   | F <sub>2</sub> | -   |
| 100°F   |    | -   | -   | -   | -   | F <sub>2</sub> | -   |
| 110°F   |    | -   | -   | -   | -   | F <sub>2</sub> | -   |
| Remarks on application: CSR: 95 -135V, CSIR: 103 - 135V |    |     |     |     |     |                |     |

### Motor

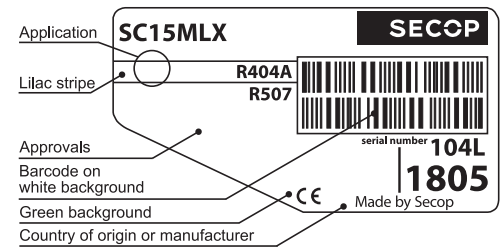
| Motor type                                | CSIR/CSR |      |     |
|---|----------|------|-----|
| LRA (rated after 4 sec. UL984), HST   LST | A        | 64.0 | -   |
| Cut in Current, HST   LST                 | A        | 64.0 | -   |
| Resistance, main   start winding (77°F)   | Ω        | 0.6  | 2.7 |

### Design

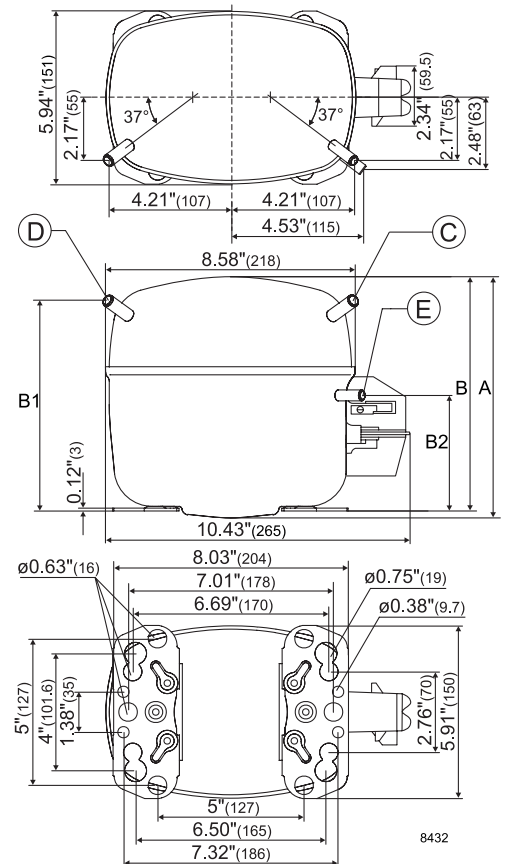
|                                     |        |                    |
|-------------------------------------|--------|--------------------|
| Displacement                        | cu.in  | 0.93               |
| Oil quantity (type)                 | fl.oz. | 18.6 (polyolester) |
| Maximum refrigerant charge          | oz.    | 45.5               |
| Free gas volume in compressor       | fl.oz. | 49.4               |
| Weight without electrical equipment | lbs.   | 30.9               |

### Dimensions

| Height               | inch                       | A  | 8.62                 |
|----------------------|----------------------------|----|----------------------|
|                      |                            | B  | 8.39                 |
|                      |                            | B1 | 7.60                 |
|                      |                            | B2 | 4.33                 |
| Suction connector    | location, I.D. in.   angle | C  | 0.378-0.385   37°    |
|                      | material   comment         |    | Copper   Rubber plug |
| Process connector    | location, I.D. in.   angle | D  | 0.252-0.259   37°    |
|                      | material   comment         |    | Copper   Rubber plug |
| Discharge connector  | location, I.D. in.   angle | E  | 0.252-0.259   37°    |
|                      | material   comment         |    | Copper   Rubber plug |
| Oil cooler connector | location, I.D. in.   angle | F  | -                    |
|                      | material   comment         |    | -                    |
| Remarks:             |                            |    |                      |



- S = Static cooling normally sufficient
- O = Oil cooling
- F<sub>1</sub> = Fan cooling 1.5 m/s  
(compressor compartment temperature equal to ambient temperature)
- F<sub>2</sub> = Fan cooling 3.0 m/s necessary
- SG = Suction gas cooling normally sufficient
- = not applicable in this area



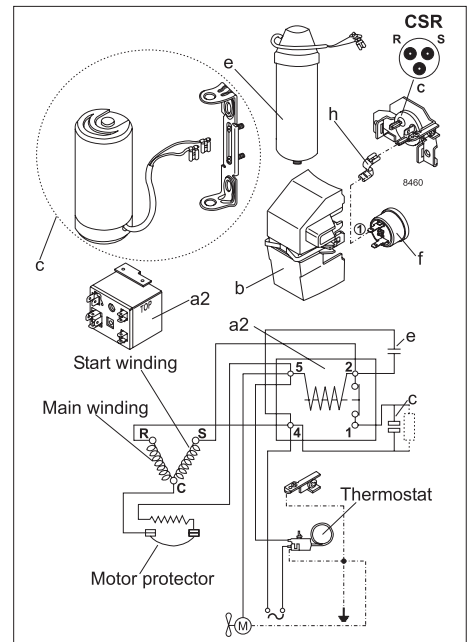
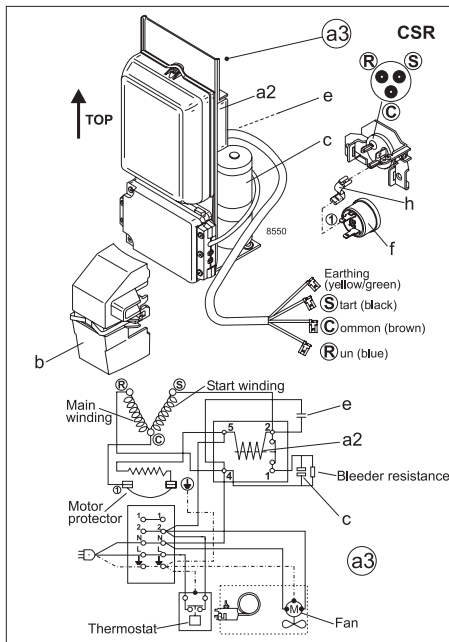
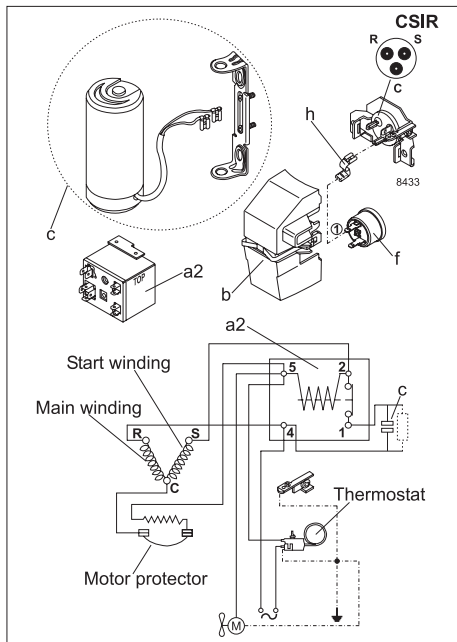
**ASHRAE MBP**

115V, 60Hz, fan cooling F<sub>2</sub>

|                    |     |     |     |     |     |      |       |       |       |       |       |       |       |       |    |    |    |
|--------------------|-----|-----|-----|-----|-----|------|-------|-------|-------|-------|-------|-------|-------|-------|----|----|----|
| Evap. temp. in °F  | -49 | -40 | -30 | -20 | -13 | -10  | 0     | 10    | 14    | 20    | 30    | 40    | 41    | 45    | 50 | 59 | 68 |
| Capacity in BTU/h  |     |     |     |     |     | 2295 | 3049  | 3967  | 4385  | 5070  | 6383  | 7928  | 8096  | 8795  |    |    |    |
| Power cons. in W   |     |     |     |     |     | 719  | 837   | 954   | 1000  | 1070  | 1188  | 1309  | 1321  | 1371  |    |    |    |
| Current cons. in A |     |     |     |     |     | 9.88 | 10.59 | 11.37 | 11.71 | 12.24 | 13.17 | 14.19 | 14.29 | 14.72 |    |    |    |
| EER in BTU/Wh      |     |     |     |     |     | 3.19 | 3.64  | 4.16  | 4.38  | 4.74  | 5.37  | 6.06  | 6.13  | 6.42  |    |    |    |

**EN 12900 Household (CECOMAF)\*** 115V, 60Hz, fan cooling F<sub>2</sub>

|                    |     |     |     |     |     |      |       |       |       |       |       |       |       |       |    |    |    |
|--------------------|-----|-----|-----|-----|-----|------|-------|-------|-------|-------|-------|-------|-------|-------|----|----|----|
| Evap. temp. in °F  | -49 | -40 | -30 | -20 | -13 | -10  | 0     | 10    | 14    | 20    | 30    | 40    | 41    | 45    | 50 | 59 | 68 |
| Capacity in W      |     |     |     |     |     | 771  | 901   | 1129  | 1399  | 1601  | 1714  | 2078  | 2495  | 2696  |    |    |    |
| Power cons. in W   |     |     |     |     |     | 730  | 783   | 864   | 947   | 1003  | 1033  | 1122  | 1216  | 1259  |    |    |    |
| Current cons. in A |     |     |     |     |     | 9.88 | 10.20 | 10.73 | 11.32 | 11.74 | 11.97 | 12.69 | 13.46 | 13.82 |    |    |    |
| COP in W/W         |     |     |     |     |     | 1.06 | 1.15  | 1.31  | 1.48  | 1.60  | 1.66  | 1.85  | 2.05  | 2.14  |    |    |    |



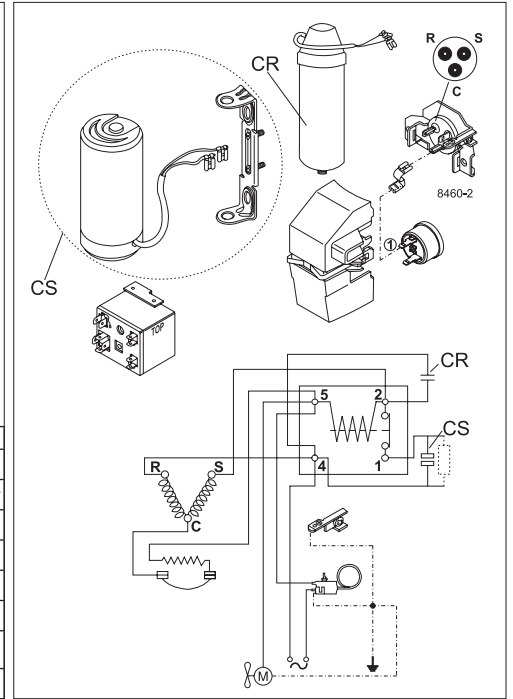
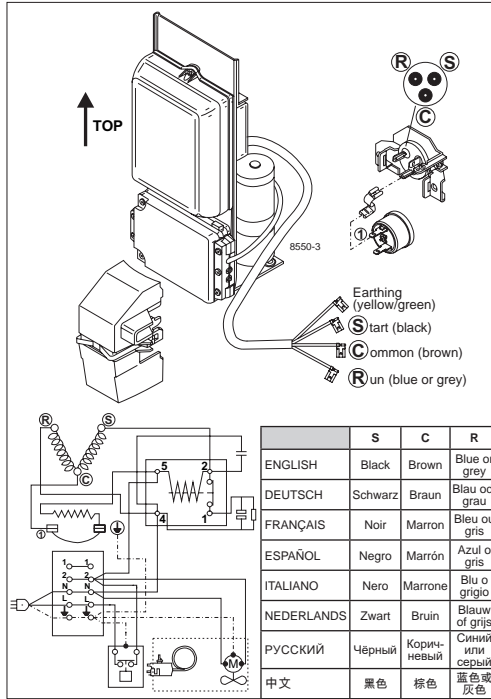
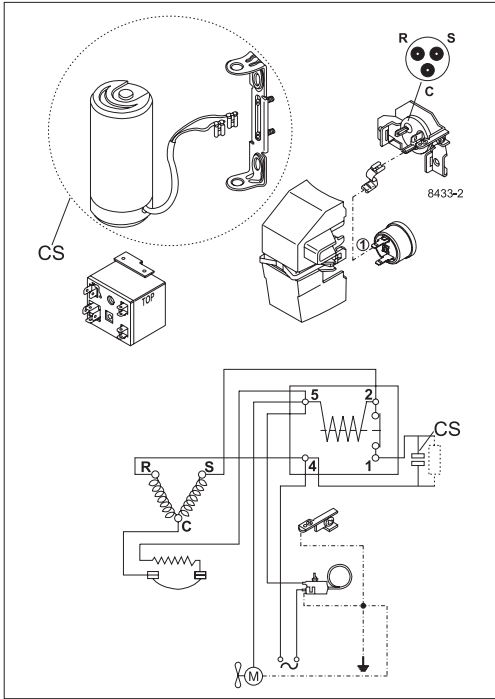
| Accessories for  | SC15MLX                | Figure | Code number | Test conditions             | ASHRAE MBP         | EN 12900/CECOMAF* |
|--|------------------------|--------|-------------|-----------------------------|--------------------|-------------------|
| Starting device assembly   |                        |        |             | Condensing temp.            | 130°F              | 113°F             |
| CSR  | 23.6 in. cable length  | a3     | 117-7045    | Ambient temperature         | 95°F               | 90°F              |
| CSIR   | 23.6 in. cable length  |        | 117-7053    | Suction gas temp.           | 95°F               | 90°F              |
|  |                        |        |             | Liquid temperature          | 115°F              | no subcooling     |
| Starting device components   |                        |        |             |                             |                    |                   |
| Starting relay   | 1/4 in. spade connect. | a2     | 117-7441    |                             |                    |                   |
| Start. capacitor 410 µF  | 1/4 in. spade connect. | c      | 117U5043    |                             |                    |                   |
| Run capacitor 23.5 µF  | 1/4 in. spade connect. | e      | 117-7114    |                             |                    |                   |
| Cover  |                        | b      | 117U1021 *) |                             |                    |                   |
| Protector  |                        | f      | 117U3188 *) |                             |                    |                   |
| Protector holder   |                        | h      | 117U0439 *) |                             |                    |                   |
| *) Remarks: Cover, protector, protector holder parts of compressor |                        |        |             | <b>Mounting accessories</b> | <b>Code number</b> |                   |
|  |                        |        |             | Bolt joint for one comp.    | Ø: 5/8 in.         | 118-1917          |
|  |                        |        |             | Bolt joint in quantities    | Ø: 5/8 in.         | 118-1918          |
|  |                        |        |             | Snap-on in quantities       | Ø: 5/8 in.         | 118-1919          |

Secop accepts no responsibility for possible errors in catalogs, brochures, and other printed material. Secop reserves the right to alter its products without notice. This also applies to products already on order provided that such alterations can be made without subsequential changes being necessary to specifications already agreed. All trademarks in this material are the property of the respective companies. Secop and the Secop logotype are trademarks of Secop GmbH. All rights reserved. [www.secop.com](http://www.secop.com)



# SC Compressors

## (External Protector)





# SC Compressors (External Protector)



## Service/Repair – R290



8545



Secop accepts no responsibility for possible errors in catalogs, brochures, and other printed material. Secop reserves the right to alter its products without notice. This also applies to products already on order provided that such alterations can be made without subsequent changes being necessary to specifications already agreed. All trademarks in this material are the property of the respective companies. Secop and the Secop logotype are trademarks of Secop GmbH. All rights reserved. [www.secop.com](http://www.secop.com)