

## Single Pack SC18CNX.2 220-240V 50Hz CSIR

Single pack code number: **195B4198**

Position	Title	Code	Amount
1	Compressor SC18CNX.2	104H8866	1
2	Starting relay	117U7011	1
3	Starting capacitor (80 $\mu$ F 220V, 6.3mm)	117U5017	1
4	Cord relief	103N1004	1
5	Cover	103N2009	1
6	Bolt joint for one compressor   M6   $\varnothing$ 16mm	118-1917	1

**Secop GmbH** • Lise-Meitner-Straße 29 • 24941 Flensburg, Germany • Tel: +49 461 4941 0 • [www.secop.com](http://www.secop.com)

Secop accepts no responsibility for possible errors in catalogs, brochures, and other printed material. Secop reserves the right to alter its products without notice. This also applies to products already on order provided that such alterations can be made without subsequent changes being necessary to specifications already agreed. All trademarks in this material are the property of the respective companies. Secop and the Secop logotype are trademarks of Secop GmbH. All rights reserved.

## Model

Designation	<b>SC18CNX.2</b>	220-240V/50Hz 1~	Sales code:	<b>104H8866</b>
-------------	------------------	------------------	-------------	-----------------

## Compressor design

Oil type	Polyolester	Refrigerant(s)	<b>R290</b>
Oil viscosity	22cST	Displacement	17,69cm <sup>3</sup> / 1,08cu.in
Oil quantity	550cm <sup>3</sup> / 18,6fl.oz	Compressors on pallet	80
Refr. charge - tech. limit	150g / 5,3oz		
Free gas volume comp.	1410cm <sup>3</sup> / 47,7fl.oz		
Weight	14kg / 30,9lbs		
Motor protection	1# internal		
Winding resistance main	4Ω (at 25°C)		
Winding resistance aux	13,1Ω (at 25°C)		
Max. winding temp.	125°C / 257°F		
Max. discharge temp.	130°C / 266°F		



## General - Configurations with SC18CNX.2

	<b>Conf. 1</b>
Motorconfiguration	CSIR
Power supply (nominal)	220-240V/50Hz
Number of phases	1
Voltage range	198-254V
Approvals	VDE, CCC
Starting torque	HST
Note	- / -

## Applications with SC18CNX.2

	<b>Conf. 1</b>
Refrigerant	R290
Application	LBP
System cooling	fan 3m/s
Hot gas defrost	OK
Long interval pull down	OK

## Electrical data - Configurations with SC18CNX.2

	<b>Conf. 1</b>
Starting device type	relay
Run capacitor	- / -
Start capacitor	80μF
LRA (locked rotor amps / 4s)	19,5A
RLA (rated load amps / 1s)	3,8A
Cut in current	19,5A

## Model

Designation

**SC18CNX.2**

220-240V/50Hz 1~

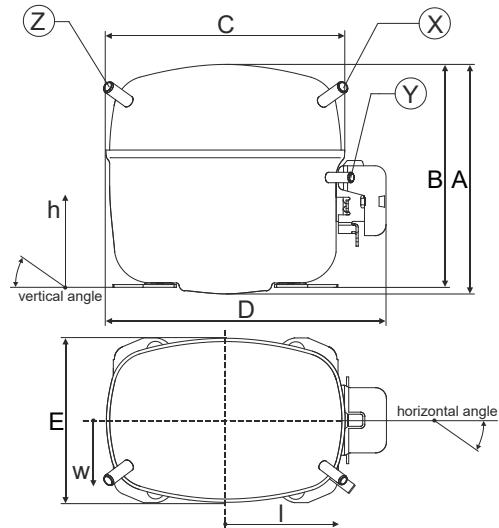
Sales code:

**104H8866**

## Compressor dimensions

Housing	A Height	219mm / 8,62in
	B Height	213mm / 8,39in
	C Length shell	218mm / 8,58in
	D Length w. cover	255mm / 10,04in
	E Width	151mm / 5,94in

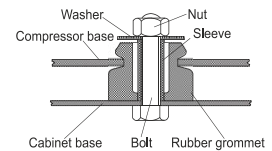
Connectors	Suction X	Discharge Y	Process Z
Diameter [mm]	øi 10,11-10,29	øi 6,11-6,29	øi 6,11-6,29
(i:inside, o:outside) [in]	øi 0,4-0,41	øi 0,24-0,25	øi 0,24-0,25
Material	copper	copper	copper
Horizontal angle ±2°	37°	37°	143°
Vertical angle ±2°	30°	0°	150°
Position l/h/w [mm]	107/193/55	115/110/63	-107/193/55
[in]	4,2/7,6/2,2	4,5/4,3/2,5	-4,2/7,6/2,2
Straight tube l. [mm]	12	12	12
[in]	0,5	0,5	0,5



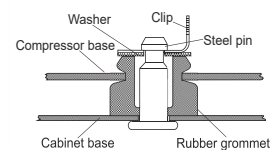
## Compressor fixation



### Bolt joint



### Snap-on



## Mounting accessories

Mounting accessories	one comp.	multi pack
Bolt joint   M6   ø16mm	118-1917	118-1918
Bolt joint   ø1/4"   ø16mm	118-1946	
Bolt joint   ø1/4"   ø19mm	118-1949	
Snap-on   ø7,3   ø16mm	118-1947	118-1919

## Application notes

Provision for PE Grounding is located at the PE Stamp on the compressor

## Model

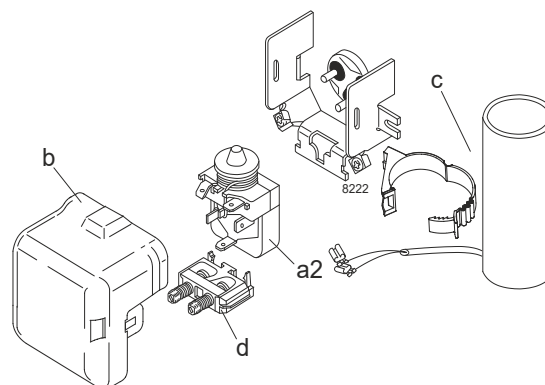
Designation	<b>SC18CNX.2</b>	<b>220-240V/50Hz</b>	<b>Conf. 1</b>	Sales code:	<b>104H8866</b>
-------------	------------------	----------------------	----------------	-------------	-----------------

## Configuration

Motorconfiguration	CSIR
Power supply (nominal)	220-240V/50Hz 1~
Refrigerant	R290
Application	LBP
Voltage range	198-254V
Starting torque	HST
Approvals	VDE CCC

## Electrical accessories / wiring diagram

CSIR



## Ambient/ machine room temperatures minimum /maximum

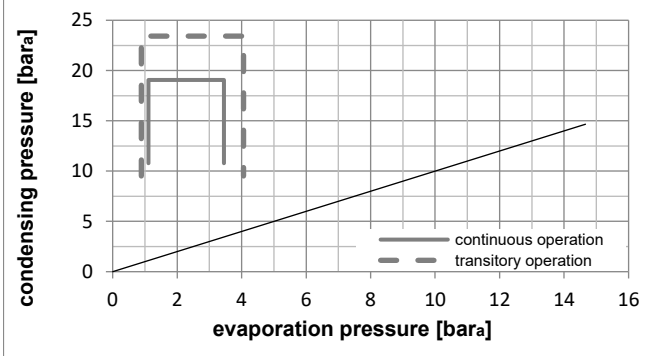
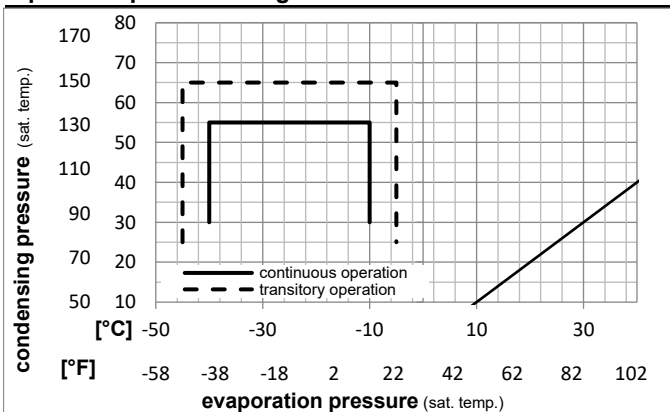
Ambient temperature range: 10 - 43°C / 50 - 110°F

Machine room temperature range: 10 - 48°C / 50 - 119°F

Compressor cooling: fan 3m/s

## Operation Limits

## Operation pressure range



## Components

a2	relay	117U7011
c	start capacitor (80μF)	117U5017
d	cord relief	103N1004
b	plastic cover	103N2009

## Alternative components

b	plastic cover	103N2008
---	---------------	----------

## Model

Designation **SC18CNX.2** **220-240V/50Hz** Conf. 1 Sales code: **104H8866**

## Optimization + standard conditions

R290, 220V/50Hz, CSIR, fan 3m/s, VDE, CCC

		Evaporating pressure (saturation temperature)				Condensing pressure (saturation temperature)			Return gas temp.			Liquid temp.			Cooling capacity			COP	EER	Power consumption			
		pe	pc	RGT	Tliq	[W]	[Btu/h]	[kcal/h]	[W/W]	[Btu/Wh]	[kcal/Wh]	P1	I	m	[W]	[A]	[kg/h]						
[°C]	[°F]																						
-23	54	32	32	795,3	2716	684,5	1,30	4,45	1,12	609,8	3,88	8,05	ASHRAE LBP										
-10	130	90	90																				
-25	55	32	55	587,0	2005	505,2	1,00	3,41	0,86	587,5	3,82	7,31	cecomaf LBP										
-13	131	90	131																				
-35	40	20	40	429,8	1468	369,9	1,01	3,45	0,87	425,0	3,20	4,91	EN12900 LBP										
-31	104	68	104																				
-23	49	4,4	49	640,3	2187	551,0	1,11	3,79	0,96	576,7	3,66	8,87	ARI540 LBP										
-10	120	40	120																				
-23	41	32	32	848,2	2897	729,9	1,57	5,36	1,35	540,1	3,54	8,59	AHAM LBP										
-10	105	90	90																				
-35	45	32	45	383,6	1310	330,1	0,92	3,14	0,79	417,0	3,15	4,30	opt										
-31	113	90	113																				

## Performance tables

R290, 220V/50Hz, CSIR, fan 3m/s, VDE, CCC

	pe		Cooling capacity			COP	EER	P1	I	m	
	[°C]	[°F]	[W]	[Btu/h]	[kcal/h]	[W/W]	[Btu/Wh]	[kcal/Wh]	[W]	[A]	[kg/h]
[°C / °F]	-40	-40	244,2	834	210,1	0,72	2,47	0,62	337,1	2,96	2,73
cond. pressure	-35	-31	383,6	1310	330,1	0,92	3,14	0,79	417,0	3,15	4,30
pc= 45/113	-30	-22	530,7	1812	456,7	1,10	3,74	0,94	484,0	3,34	5,96
return gas temp.	-25	-13	689,4	2354	593,3	1,27	4,35	1,10	540,9	3,52	7,77
RGT= 32/90	-20	-4	863,5	2949	743,1	1,46	4,99	1,26	591,0	3,69	9,78
liquid temp	-15	5	1056,9	3609	909,6	1,66	5,67	1,43	637,1	3,85	12,02
Tliq= 45/113	-10	14	1273,4	4349	1095,9	1,87	6,37	1,61	682,3	4,01	14,57
[°C / °F]	-40	-40	135,5	463	116,6	0,47	1,60	0,40	289,9	3,03	1,67
cond. pressure	-35	-31	274,8	939	236,5	0,68	2,32	0,59	403,8	3,30	3,40
pc= 55/131	-30	-22	424,0	1448	364,9	0,84	2,88	0,73	502,0	3,57	5,26
return gas temp	-25	-13	587,0	2005	505,2	1,00	3,41	0,86	587,5	3,82	7,31
RGT= 32/90	-20	-4	767,6	2622	660,6	1,16	3,95	1,00	663,3	4,07	9,60
liquid temp	-15	5	969,7	3312	834,5	1,32	4,52	1,14	732,4	4,31	12,19
Tliq= 55/131	-10	14	1197,1	4088	1030,3	1,50	5,12	1,29	797,8	4,55	15,14



# SC Compressors





# SC Compressors

## Service/Repair – R290



8545



Secop accepts no responsibility for possible errors in catalogs, brochures, and other printed material. Secop reserves the right to alter its products without notice. This also applies to products already on order provided that such alterations can be made without subsequent changes being necessary to specifications already agreed. All trademarks in this material are the property of the respective companies. Secop and the Secop logotype are trademarks of Secop GmbH. All rights reserved. [www.secop.com](http://www.secop.com)