

Single Pack SC21MFX 220-240V 50Hz CSIR

Single pack code number: **195B4201**

| Position | Title | Code | Amount |
|----------|---|----------|--------|
| 1 | Compressor SC21MFX | 104G8120 | 1 |
| 2 | Starting relay | 117U6019 | 1 |
| 3 | Starting capacitor (80 μ F 220V, 6.3mm) | 117U5017 | 1 |
| 4 | Cord relief | 103N1004 | 1 |
| 5 | Cover | 103N2008 | 1 |
| 6 | Bolt joint for one compressor M6 \varnothing 16mm | 118-1917 | 1 |

Secop GmbH • Lise-Meitner-Straße 29 • 24941 Flensburg, Germany • Tel: +49 461 4941 0 • www.secop.com

Secop accepts no responsibility for possible errors in catalogs, brochures, and other printed material. Secop reserves the right to alter its products without notice. This also applies to products already on order provided that such alterations can be made without subsequent changes being necessary to specifications already agreed. All trademarks in this material are the property of the respective companies. Secop and the Secop logotype are trademarks of Secop GmbH. All rights reserved.

Model

| | | | | |
|-------------|----------------|------------------|-------------|-----------------|
| Designation | SC21MFX | 220-240V/50Hz 1~ | Sales code: | 104G8120 |
|-------------|----------------|------------------|-------------|-----------------|

Compressor design

| | | | |
|----------------------------|---------------------------------|-----------------------|----------------------------------|
| Oil type | Polyolester | Refrigerant(s) | R134a, R513A |
| Oil viscosity | 22cST | Displacement | 20,95cm ³ / 1,28cu.in |
| Oil quantity | 550cm ³ / 18,6fl.oz | Compressors on pallet | 80 |
| Refr. charge - tech. limit | 1300g / 45,9oz | | |
| Free gas volume comp. | 1460cm ³ / 49,4fl.oz | | |
| Weight | 13,7kg / 30,2lbs | | |
| Motor protection | 1# internal | | |
| Winding resistance main | 3,4Ω (at 25°C) | | |
| Winding resistance aux | 14,4Ω (at 25°C) | | |
| Max. winding temp. | 125°C / 257°F | | |
| Max. discharge temp. | 130°C / 266°F | | |



General - Configurations with SC21MFX

| | Conf. 1 | Conf. 2 | Conf. 3 |
|------------------------|----------------|----------------|----------------|
| Motorconfiguration | CSIR | CSCR | CSIR |
| Power supply (nominal) | 220-240V/50Hz | 220-240V/50Hz | 220-240V/50Hz |
| Number of phases | 1 | 1 | 1 |
| Voltage range | 187-254V | 187-254V | 187-254V |
| Approvals | VDE, CCC, EAC | VDE, CCC, EAC | VDE, CCC, EAC |
| Starting torque | HST | HST | HST |
| Note | - / - | | |

Applications with SC21MFX

| | Conf. 1 | Conf. 2 | Conf. 3 |
|-------------------------|----------------|----------------|----------------|
| Refrigerant | R134a | R134a | R513A |
| Application | MBP | MBP | MBP |
| System cooling | fan 3m/s | fan 3m/s | fan 3m/s |
| Hot gas defrost | OK | OK | OK |
| Long interval pull down | OK | OK | OK |

Electrical data - Configurations with SC21MFX

| | Conf. 1 | Conf. 2 | Conf. 3 |
|------------------------------|----------------|----------------|----------------|
| Starting device type | relay | relay | relay |
| Run capacitor | - / - | 10μF | - / - |
| Start capacitor | 80μF | 80μF | 80μF |
| LRA (locked rotor amps / 4s) | 23,4A | 23,4A | 23,4A |
| RLA (rated load amps / 1s) | 4,3A | 4,3A | 4,3A |
| Cut in current | 23,4A | 23,4A | 23,4A |

Model

Designation

SC21MFX

220-240V/50Hz 1~

Sales code:

104G8120

Compressor dimensions

| Housing | A Height | 219mm / 8,62in |
|---------|-------------------|-----------------|
| | B Height | 213mm / 8,39in |
| | C Length shell | 218mm / 8,58in |
| | D Length w. cover | 255mm / 10,04in |
| | E Width | 151mm / 5,94in |

| Connectors | Suction X | Discharge Y | Process Z |
|----------------------------|----------------|----------------|--------------|
| Diameter [mm] | øi 10,11-10,29 | øi 6,11-6,29 | øi 6,11-6,29 |
| (i:inside, o:outside) [in] | øi 0,4-0,41 | øi 0,24-0,25 | øi 0,24-0,25 |
| Material | copper | copper | copper |
| Horizontal angle ±2° | 37° | 37° | 143° |
| Vertical angle ±2° | 30° | 0° | 150° |
| Position l/h/w [mm] | 107/193/55 | 115/110/63 | -107/193/55 |
| [in] | 4,2/7,6/2,2 | 4,5/4,3/2,5 | -4,2/7,6/2,2 |
| Straight tube l. [mm] | 12 | 12 | 12 |
| [in] | 0,5 | 0,5 | 0,5 |



Compressor fixation



Bolt joint



Snap-on



Mounting accessories

| Mounting accessories | one comp. | multi pack |
|----------------------------|-----------|------------|
| Bolt joint M6 ø16mm | 118-1917 | 118-1918 |
| Bolt joint ø1/4" ø16mm | 118-1946 | |
| Bolt joint ø1/4" ø19mm | 118-1949 | |
| Snap-on ø7,3 ø16mm | 118-1947 | 118-1919 |

Application notes

Provision for PE Grounding is located at the PE Stamp on the compressor

Model

| | | | | | |
|-------------|----------------|----------------------|----------------|-------------|-----------------|
| Designation | SC21MFX | 220-240V/50Hz | Conf. 1 | Sales code: | 104G8120 |
|-------------|----------------|----------------------|----------------|-------------|-----------------|

Configuration

| | |
|------------------------|-------------------|
| Motorconfiguration | CSIR |
| Power supply (nominal) | 220-240V/50Hz 1~ |
| Refrigerant | R134a |
| Application | MBP |
| Voltage range | 187-254V |
| Starting torque | HST |
| Approvals | VDE CCC EAC |

Electrical accessories / wiring diagram

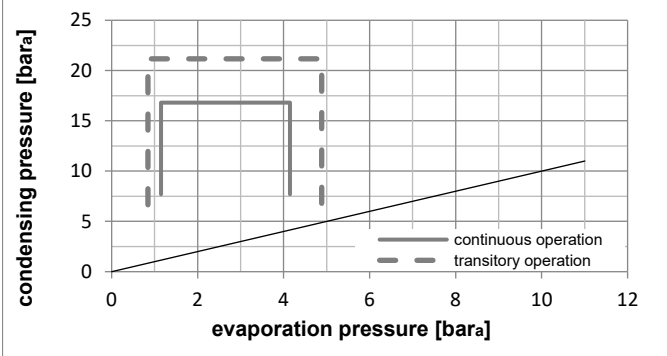
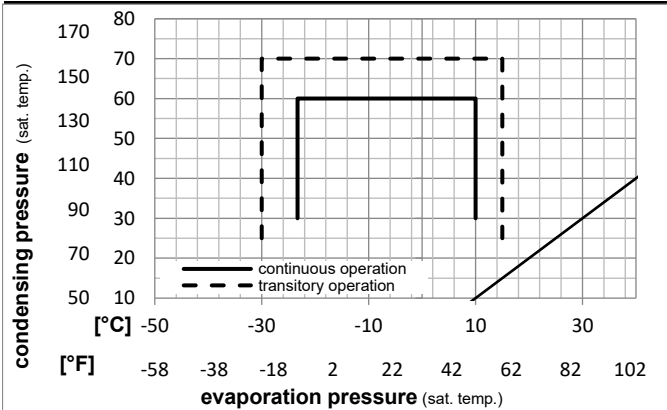


Ambient/ machine room temperatures minimum /maximum

| | |
|---------------------------------|------------------------|
| Ambient temperature range: | 10 - 43°C / 50 - 110°F |
| Machine room temperature range: | 10 - 48°C / 50 - 119°F |
| Compressor cooling: | fan 3m/s |

Operation Limits

Operation pressure range



Components

| | | |
|----|------------------------|----------|
| a2 | relay | 117U6019 |
| c | start capacitor (80μF) | 117U5017 |
| d | cord relief | 103N1004 |
| b | plastic cover | 103N2009 |

Model

Designation **SC21MFX** **220-240V/50Hz** Conf. 1 Sales code: **104G8120**

Optimization + standard conditions

R134a, 220V/50Hz, CSIR, fan 3m/s, VDE, CCC, EAC

| | Evaporating pressure (saturation temperature) | | | | Condensing pressure (saturation temperature) | | | Return gas temp. | Liquid temp. | Cooling capacity | COP | EER | Power consumption | | | ASHRAE MBP |
|------|---|-----|-----|------|--|---------|----------|------------------|--------------|------------------|-------|------|-------------------|-------------|----------------|------------|
| | pe | pc | RGT | Tliq | [W] | [Btu/h] | [kcal/h] | | | | | | P1 | I | Ref. mass flow | |
| [°C] | -7 | 54 | 35 | 46 | 1082,2 | 3696 | 931,4 | 1,65 | 5,63 | 1,42 | 656,3 | 4,48 | 23,61 | | | |
| [°F] | 20 | 130 | 95 | 115 | | | | | | | | | | | | |
| | -10 | 55 | 32 | 55 | 840,0 | 2869 | 722,9 | 1,37 | 4,66 | 1,18 | 615,0 | 4,35 | 20,31 | cecomaf MBP | | |
| | -10 | 45 | 20 | 45 | 940,6 | 3212 | 809,5 | 1,62 | 5,52 | 1,39 | 581,7 | 4,18 | 22,02 | EN12900 MBP | | |
| | -10 | 45 | 32 | 45 | 975,9 | 3333 | 839,8 | 1,68 | 5,73 | 1,44 | 581,7 | 4,18 | 21,36 | opt | | |
| | -25 | 45 | 32 | 45 | 464,8 | 1587 | 400,0 | 1,14 | 3,88 | 0,98 | 408,8 | 3,47 | 10,07 | opt | | |

Performance tables

R134a, 220V/50Hz, CSIR, fan 3m/s, VDE, CCC, EAC

| | pe | | Cooling capacity | | | COP | EER | P1 | I | m | |
|------------------|------|------|------------------|---------|----------|-------|----------|-----------|-------|------|--------|
| | [°C] | [°F] | [W] | [Btu/h] | [kcal/h] | [W/W] | [Btu/Wh] | [kcal/Wh] | [W] | [A] | [kg/h] |
| [°C / °F] | -23 | -10 | 509,3 | 1739 | 438,3 | 1,19 | 4,06 | 1,02 | 428,3 | 3,55 | 11,04 |
| cond. pressure | -20 | -4 | 604,5 | 2065 | 520,3 | 1,30 | 4,43 | 1,12 | 466,1 | 3,72 | 13,13 |
| pc= 45/113 | -15 | 5 | 773,4 | 2641 | 665,6 | 1,48 | 5,04 | 1,27 | 523,6 | 3,95 | 16,86 |
| return gas temp. | -10 | 14 | 975,9 | 3333 | 839,8 | 1,68 | 5,73 | 1,44 | 581,7 | 4,18 | 21,36 |
| RGT= 32/90 | 0 | 32 | 1498,6 | 5118 | 1289,7 | 2,14 | 7,30 | 1,84 | 701,4 | 4,59 | 33,14 |
| liquid temp | 5 | 41 | 1827,7 | 6242 | 1572,9 | 2,39 | 8,17 | 2,06 | 763,7 | 4,78 | 40,69 |
| Tliq= 45/113 | 10 | 50 | 2207,7 | 7540 | 1900,0 | 2,67 | 9,10 | 2,29 | 828,2 | 4,96 | 49,54 |
| [°C / °F] | -23 | -10 | 429,7 | 1467 | 369,8 | 0,97 | 3,33 | 0,84 | 441,3 | 3,69 | 10,28 |
| cond. pressure | -20 | -4 | 513,5 | 1754 | 441,9 | 1,06 | 3,62 | 0,91 | 484,7 | 3,86 | 12,32 |
| pc= 55/131 | -15 | 5 | 661,9 | 2261 | 569,7 | 1,20 | 4,11 | 1,04 | 550,0 | 4,11 | 15,93 |
| return gas temp | -10 | 14 | 840,0 | 2869 | 722,9 | 1,37 | 4,66 | 1,18 | 615,0 | 4,35 | 20,31 |
| RGT= 32/90 | 0 | 32 | 1302,7 | 4449 | 1121,1 | 1,75 | 5,96 | 1,50 | 746,0 | 4,79 | 31,87 |
| liquid temp | 5 | 41 | 1596,0 | 5451 | 1373,6 | 1,96 | 6,71 | 1,69 | 812,7 | 4,99 | 39,33 |
| Tliq= 55/131 | 10 | 50 | 1936,4 | 6613 | 1666,5 | 2,20 | 7,51 | 1,89 | 880,8 | 5,18 | 48,14 |

Model

| | | | | | |
|-------------|----------------|----------------------|----------------|-------------|-----------------|
| Designation | SC21MFX | 220-240V/50Hz | Conf. 2 | Sales code: | 104G8120 |
|-------------|----------------|----------------------|----------------|-------------|-----------------|

Configuration

| | |
|------------------------|-------------------|
| Motorconfiguration | CSCR |
| Power supply (nominal) | 220-240V/50Hz 1~ |
| Refrigerant | R134a |
| Application | MBP |
| Voltage range | 187-254V |
| Starting torque | HST |
| Approvals | VDE CCC EAC |

Electrical accessories / wiring diagram

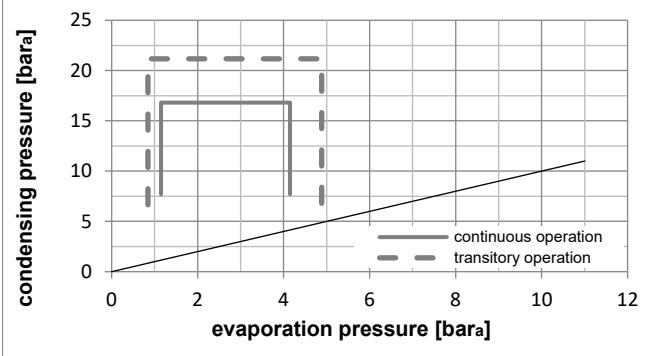
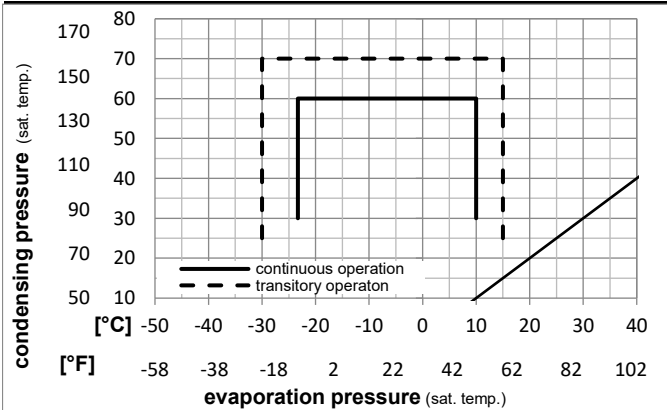


Ambient/ machine room temperatures minimum /maximum

| | |
|---------------------------------|------------------------|
| Ambient temperature range: | 10 - 43°C / 50 - 110°F |
| Machine room temperature range: | 10 - 48°C / 50 - 119°F |
| Compressor cooling: | fan 3m/s |

Operation Limits

Operation pressure range



Components

| | | |
|----|------------------------|----------|
| a3 | SC starter kit (550mm) | 117-7039 |
| b | plastic cover | 103N2009 |
| d | cord relief | 103N1004 |

Alternative components

| | | |
|----|-------------------------|----------|
| a3 | SC starter kit (1000mm) | 117-7043 |
|----|-------------------------|----------|

Model

Designation **SC21MFX** **220-240V/50Hz** Conf. 2 Sales code: **104G8120**

Optimization + standard conditions

R134a, 220V/50Hz, CSCR, fan 3m/s, VDE, CCC, EAC

| | | Evaporating pressure (saturation temperature) | | | | Condensing pressure (saturation temperature) | | | Return gas temp. | | | Liquid temp. | | | Cooling capacity | | | COP | EER | Power consumption | | | |
|------|------|---|-----|-----|--------|--|---------|----------|------------------|----------|-----------|--------------|-------|---|------------------|-----|--------|-----|-----|-------------------|-------------|--|--|
| | | pe | pc | RGT | Tliq | [W] | [Btu/h] | [kcal/h] | [W/W] | [Btu/Wh] | [kcal/Wh] | P1 | I | m | [W] | [A] | [kg/h] | | | | | | |
| [°C] | [°F] | | | | | | | | | | | | | | | | | | | | | | |
| -7 | 20 | 54 | 35 | 46 | 1115,5 | 3810 | 960,1 | 1,76 | 6,01 | 1,52 | 633,6 | 3,69 | 24,34 | | | | | | | | ASHRAE MBP | | |
| 54 | 130 | 95 | 115 | | | | | | | | | | | | | | | | | | | | |
| -10 | 14 | 55 | 32 | 55 | 866,0 | 2957 | 745,2 | 1,46 | 4,98 | 1,25 | 594,0 | 3,52 | 20,94 | | | | | | | | cecomaf MBP | | |
| 55 | 131 | 90 | 131 | | | | | | | | | | | | | | | | | | | | |
| -10 | 14 | 45 | 20 | 45 | 969,6 | 3311 | 834,4 | 1,73 | 5,89 | 1,48 | 562,1 | 3,28 | 22,70 | | | | | | | | EN12900 MBP | | |
| 45 | 113 | 68 | 113 | | | | | | | | | | | | | | | | | | | | |
| -7 | 20 | 49 | 18 | 49 | 1055,5 | 3605 | 908,4 | 1,72 | 5,88 | 1,48 | 612,7 | 3,52 | 26,07 | | | | | | | | ARI540 MBP | | |
| 49 | 120 | 65 | 120 | | | | | | | | | | | | | | | | | | | | |
| -10 | 14 | 45 | 32 | 45 | 1005,9 | 3435 | 865,7 | 1,79 | 6,11 | 1,54 | 562,1 | 3,28 | 22,01 | | | | | | | | opt | | |
| 45 | 113 | 90 | 113 | | | | | | | | | | | | | | | | | | | | |
| -25 | -13 | 45 | 32 | 45 | 479,3 | 1637 | 412,5 | 1,21 | 4,13 | 1,04 | 396,2 | 2,38 | 10,38 | | | | | | | | opt | | |
| 45 | 113 | 90 | 113 | | | | | | | | | | | | | | | | | | | | |

Performance tables

R134a, 220V/50Hz, CSCR, fan 3m/s, VDE, CCC, EAC

| | pe | | Cooling capacity | | | COP | EER | P1 | | | I | m |
|------------------|------|------|------------------|---------|----------|-------|----------|-----------|-------|------|--------|---|
| | [°C] | [°F] | [W] | [Btu/h] | [kcal/h] | [W/W] | [Btu/Wh] | [kcal/Wh] | [W] | [A] | [kg/h] | |
| [°C / °F] | -23 | -10 | 525,2 | 1794 | 452,0 | 1,27 | 4,32 | 1,09 | 414,8 | 2,49 | 11,39 | |
| cond. pressure | -20 | -4 | 623,3 | 2129 | 536,4 | 1,38 | 4,72 | 1,19 | 451,1 | 2,69 | 13,54 | |
| pc= 45/113 | -15 | 5 | 797,3 | 2723 | 686,2 | 1,57 | 5,38 | 1,36 | 506,3 | 2,99 | 17,38 | |
| return gas temp. | -10 | 14 | 1005,9 | 3435 | 865,7 | 1,79 | 6,11 | 1,54 | 562,1 | 3,28 | 22,01 | |
| RGT= 32/90 | 0 | 32 | 1544,5 | 5275 | 1329,2 | 2,28 | 7,79 | 1,96 | 676,9 | 3,80 | 34,16 | |
| liquid temp | 5 | 41 | 1883,5 | 6433 | 1621,0 | 2,56 | 8,73 | 2,20 | 736,7 | 4,04 | 41,93 | |
| Tliq= 45/113 | 10 | 50 | 2275,0 | 7770 | 1957,9 | 2,85 | 9,73 | 2,45 | 798,5 | 4,26 | 51,05 | |
| [°C / °F] | -23 | -10 | 443,2 | 1513 | 381,4 | 1,04 | 3,54 | 0,89 | 427,3 | 2,65 | 10,61 | |
| cond. pressure | -20 | -4 | 529,5 | 1808 | 455,7 | 1,13 | 3,86 | 0,97 | 468,9 | 2,88 | 12,70 | |
| pc= 55/131 | -15 | 5 | 682,4 | 2331 | 587,3 | 1,28 | 4,38 | 1,10 | 531,6 | 3,21 | 16,43 | |
| return gas temp | -10 | 14 | 866,0 | 2957 | 745,2 | 1,46 | 4,98 | 1,25 | 594,0 | 3,52 | 20,94 | |
| RGT= 32/90 | 0 | 32 | 1342,7 | 4585 | 1155,5 | 1,87 | 6,37 | 1,61 | 719,7 | 4,10 | 32,84 | |
| liquid temp | 5 | 41 | 1644,8 | 5617 | 1415,6 | 2,10 | 7,17 | 1,81 | 783,7 | 4,36 | 40,53 | |
| Tliq= 55/131 | 10 | 50 | 1995,6 | 6815 | 1717,4 | 2,35 | 8,03 | 2,02 | 849,0 | 4,61 | 49,61 | |

Model

| | | | | | |
|-------------|----------------|----------------------|----------------|-------------|-----------------|
| Designation | SC21MFX | 220-240V/50Hz | Conf. 3 | Sales code: | 104G8120 |
|-------------|----------------|----------------------|----------------|-------------|-----------------|

Configuration

| | |
|------------------------|-------------------|
| Motorconfiguration | CSIR |
| Power supply (nominal) | 220-240V/50Hz 1~ |
| Refrigerant | R513A |
| Application | MBP |
| Voltage range | 187-254V |
| Starting torque | HST |
| Approvals | VDE CCC EAC |

Electrical accessories / wiring diagram

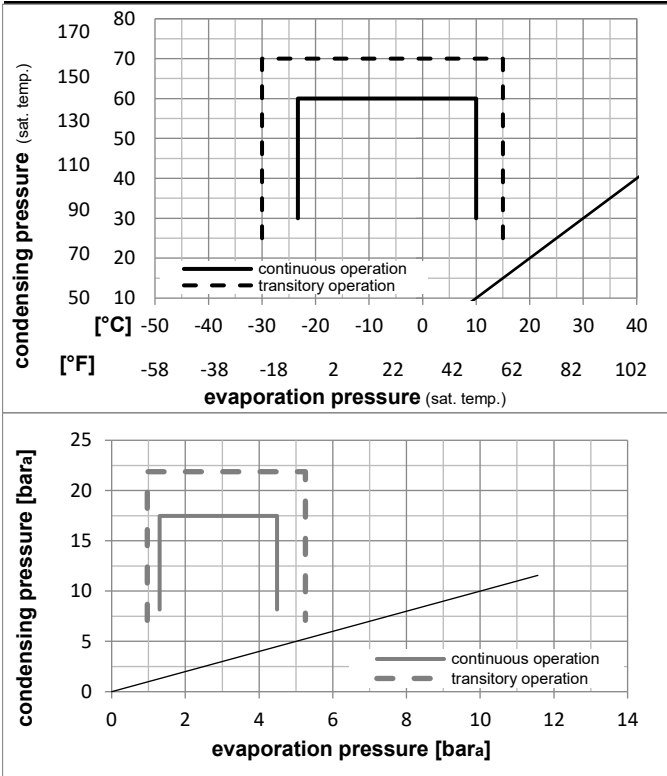


Ambient/ machine room temperatures minimum /maximum

| | |
|---------------------------------|------------------------|
| Ambient temperature range: | 10 - 43°C / 50 - 110°F |
| Machine room temperature range: | 10 - 48°C / 50 - 119°F |
| Compressor cooling: | fan 3m/s |

Operation Limits

Operation pressure range



Components

| | | |
|----|------------------------|----------|
| a2 | relay | 117U6019 |
| c | start capacitor (80μF) | 117U5017 |
| d | cord relief | 103N1004 |
| b | plastic cover | 103N2009 |

Model

Designation **SC21MFX** **220-240V/50Hz** Conf. 3 Sales code: **104G8120**

Optimization + standard conditions

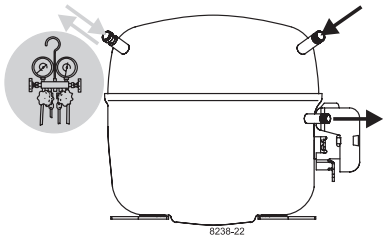
R513A, 220V/50Hz, CSIR, fan 3m/s, VDE, CCC, EAC

| | | Evaporating pressure (saturation temperature) | | | | Condensing pressure (saturation temperature) | | | | | | Power consumption | | | |
|------|-----|---|----|-----|--------|--|---------|----------|-------|----------|-----------|---------------------|-------|-------------|----------------|
| | | Return gas temp. | | | | Liquid temp. | | | | | | Current consumption | | | Ref. mass flow |
| | | Cooling capacity | | | | COP | EER | P1 | | | I | m | | | |
| | | pe | pc | RGT | Tliq | [W] | [Btu/h] | [kcal/h] | [W/W] | [Btu/Wh] | [kcal/Wh] | [W] | [A] | [kg/h] | |
| [°C] | -7 | 54 | 35 | 46 | 1131,2 | 3863 | 973,5 | 1,62 | 5,55 | 1,40 | 696,6 | 4,57 | 27,71 | ASHRAE MBP | |
| [°F] | 20 | 130 | 95 | 115 | | | | | | | | | | | |
| [°C] | -10 | 55 | 32 | 55 | 867,3 | 2962 | 746,4 | 1,32 | 4,52 | 1,14 | 655,8 | 4,41 | 23,98 | cecomaf MBP | |
| [°F] | 14 | 131 | 90 | 131 | | | | | | | | | | | |
| [°C] | -10 | 45 | 20 | 45 | 979,7 | 3346 | 843,1 | 1,58 | 5,40 | 1,36 | 619,9 | 4,28 | 25,97 | EN12900 MBP | |
| [°F] | 14 | 113 | 68 | 113 | | | | | | | | | | | |
| [°C] | -7 | 49 | 18 | 49 | 1053,0 | 3596 | 906,2 | 1,56 | 5,34 | 1,35 | 673,0 | 4,48 | 29,67 | ARI540 MBP | |
| [°F] | 20 | 120 | 65 | 120 | | | | | | | | | | | |
| [°C] | -10 | 45 | 32 | 45 | 1024,5 | 3499 | 881,7 | 1,65 | 5,64 | 1,42 | 619,9 | 4,28 | 25,19 | opt | |
| [°F] | 14 | 113 | 90 | 113 | | | | | | | | | | | |
| [°C] | -25 | 45 | 32 | 45 | 501,7 | 1713 | 431,8 | 1,12 | 3,83 | 0,97 | 447,2 | 3,62 | 12,23 | opt | |
| [°F] | -13 | 113 | 90 | 113 | | | | | | | | | | | |

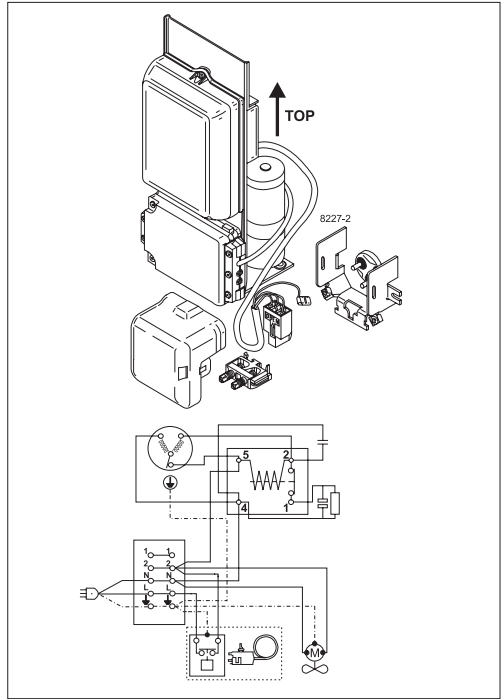
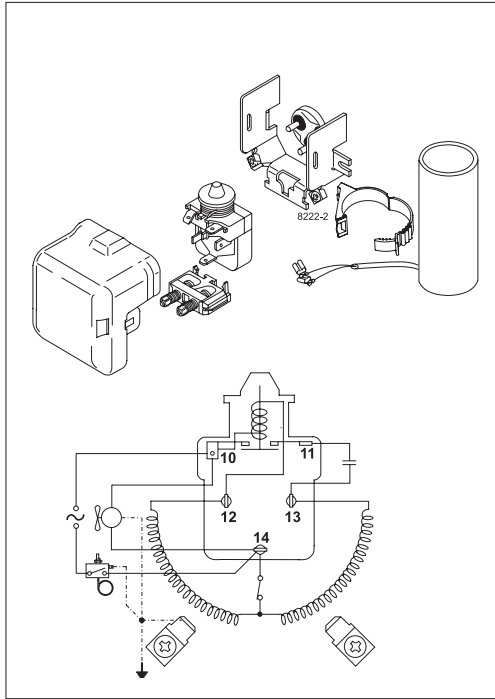
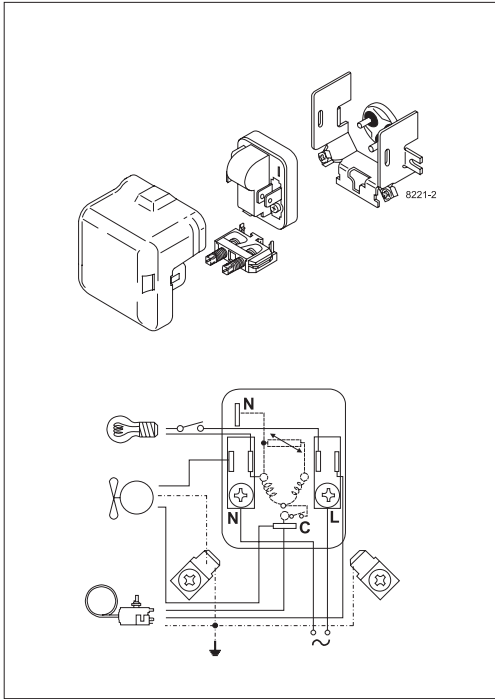
Performance tables

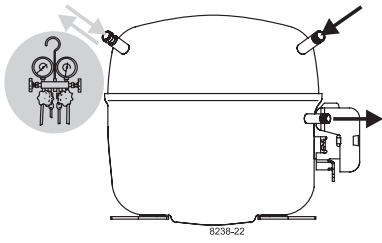
R513A, 220V/50Hz, CSIR, fan 3m/s, VDE, CCC, EAC

| | pe | | Cooling capacity | | | COP | EER | P1 | | | I | m |
|------------------|------|------|------------------|---------|----------|-------|----------|-----------|-------|------|--------|---|
| | [°C] | [°F] | [W] | [Btu/h] | [kcal/h] | [W/W] | [Btu/Wh] | [kcal/Wh] | [W] | [A] | [kg/h] | |
| [°C / °F] | -23 | -10 | 547,7 | 1871 | 471,4 | 1,17 | 4,00 | 1,01 | 467,2 | 3,70 | 13,36 | |
| cond. pressure | -20 | -4 | 645,8 | 2206 | 555,8 | 1,28 | 4,36 | 1,10 | 505,6 | 3,84 | 15,78 | |
| pc= 45/113 | -15 | 5 | 818,8 | 2796 | 704,7 | 1,45 | 4,97 | 1,25 | 562,8 | 4,06 | 20,06 | |
| return gas temp. | -10 | 14 | 1024,5 | 3499 | 881,7 | 1,65 | 5,64 | 1,42 | 619,9 | 4,28 | 25,19 | |
| RGT= 32/90 | 0 | 32 | 1549,8 | 5293 | 1333,8 | 2,10 | 7,16 | 1,81 | 738,8 | 4,73 | 38,44 | |
| liquid temp | 5 | 41 | 1877,3 | 6411 | 1615,6 | 2,34 | 7,98 | 2,01 | 803,0 | 4,97 | 46,82 | |
| Tliq= 45/113 | 10 | 50 | 2253,2 | 7695 | 1939,2 | 2,58 | 8,82 | 2,22 | 872,0 | 5,24 | 56,57 | |
| [°C / °F] | -23 | -10 | 455,5 | 1556 | 392,0 | 0,95 | 3,23 | 0,81 | 481,7 | 3,75 | 12,48 | |
| cond. pressure | -20 | -4 | 540,4 | 1845 | 465,0 | 1,03 | 3,51 | 0,88 | 525,8 | 3,92 | 14,84 | |
| pc= 55/131 | -15 | 5 | 689,6 | 2355 | 593,5 | 1,17 | 3,98 | 1,00 | 591,1 | 4,17 | 19,00 | |
| return gas temp. | -10 | 14 | 867,3 | 2962 | 746,4 | 1,32 | 4,52 | 1,14 | 655,8 | 4,41 | 23,98 | |
| RGT= 32/90 | 0 | 32 | 1323,7 | 4521 | 1139,2 | 1,68 | 5,74 | 1,45 | 787,6 | 4,91 | 36,97 | |
| liquid temp | 5 | 41 | 1610,3 | 5500 | 1385,9 | 1,88 | 6,42 | 1,62 | 857,3 | 5,18 | 45,25 | |
| Tliq= 55/131 | 10 | 50 | 1941,2 | 6629 | 1670,6 | 2,08 | 7,12 | 1,79 | 931,0 | 5,46 | 54,96 | |



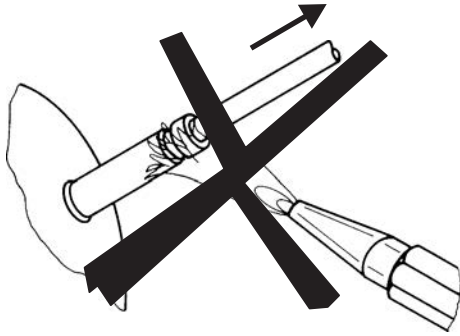
SC Compressors



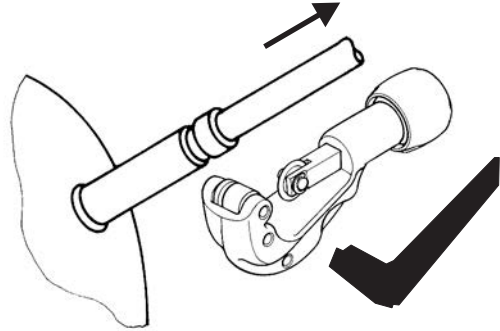


SC Compressors

Service/Repair – R290



8545



Secop accepts no responsibility for possible errors in catalogs, brochures, and other printed material. Secop reserves the right to alter its products without notice. This also applies to products already on order provided that such alterations can be made without subsequent changes being necessary to specifications already agreed. All trademarks in this material are the property of the respective companies. Secop and the Secop logotype are trademarks of Secop GmbH. All rights reserved. www.secop.com