

Single Pack NF11FX.2 115-127V 60Hz CSIR

Single pack code number: **195B4538**

Position	Title	Code	Amount
1	Compressor NF11FX.2	105G5916	1
2	Starting relay (overload protector MRT16ADK-6)	117U4151	1
3	Starting capacitor (410 μ F 125V, 6.3mm)	117U5028	1
4	Cord relief	117U0349	1
5	Cover	117U1021	1
6	Bolt joint for one compressor M6 \varnothing 16mm	118-1917	1

Secop GmbH • Lise-Meitner-Straße 29 • 24941 Flensburg, Germany • Tel: +49 461 4941 0 • www.secop.com

Secop accepts no responsibility for possible errors in catalogs, brochures, and other printed material. Secop reserves the right to alter its products without notice. This also applies to products already on order provided that such alterations can be made without subsequent changes being necessary to specifications already agreed. All trademarks in this material are the property of the respective companies. Secop and the Secop logotype are trademarks of Secop GmbH. All rights reserved.

Model

Designation	NF11FX.2	115-127V/60Hz 1~	Sales code:	105G5916
-------------	-----------------	-------------------------	-------------	-----------------

Compressor design

Oil type	Polyolester	Refrigerant(s)	R134a, R513A
Oil viscosity	32cST	Displacement	11,25cm ³ / 0,69cu.in
Oil quantity	294cm ³ / 10fl.oz	Compressors on pallet	80
Refr. charge - tech. limit	400g / 14,1oz		
Free gas volume comp.	2360cm ³ / 79,8fl.oz		
Weight	10kg / 22lbs		
Motor protection	external		
Winding resistance main	1Ω (at 25°C)		
Winding resistance aux	2,9Ω (at 25°C)		
Max. winding temp.	125°C / 257°F		
Max. discharge temp.	130°C / 266°F		



General - Configurations with NF11FX.2

	Conf. 1	Conf. 2
Motorconfiguration	CSIR	CSIR
Power supply (nominal)	115V/60Hz	115V/60Hz
Number of phases	1	1
Voltage range	95-135V	95-135V
Approvals	UL, EAC	UL
Starting torque	HST	HST
Note	- / -	

Applications with NF11FX.2

	Conf. 1	Conf. 2
Refrigerant	R134a	R513A
Application	MBP	MBP
System cooling	fan 3m/s	fan 3m/s
Hot gas defrost	OK	OK
Long interval pull down	OK	OK

Electrical data - Configurations with NF11FX.2

	Conf. 1	Conf. 2
Starting device type	relay	relay
Run capacitor	- / -	- / -
Start capacitor	410μF	410μF
LRA (locked rotor amps / 4s)	40A	40A
RLA (rated load amps / 1s)	7A	7A
Cut in current	40A	40A
IP class	21	21

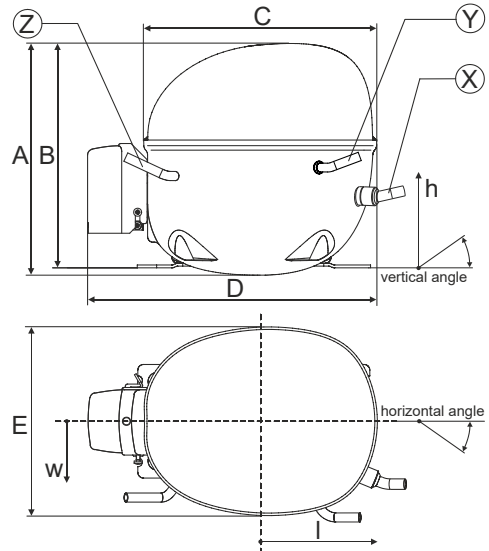
Model

Designation	NF11FX.2	115-127V/60Hz 1~	Sales code:	105G5916
-------------	-----------------	-------------------------	-------------	-----------------

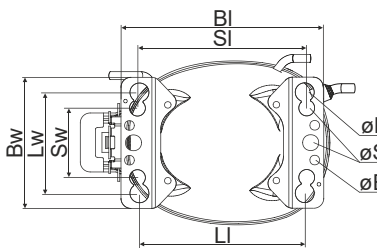
Compressor dimensions

Housing	A Height	203mm / 7,99in
	B Height	197mm / 7,76in
	C Length shell	205mm / 8,07in
	D Length w. cover	254mm / 10in
	E Width	166mm / 6,54in

Connectors		Suction	Discharge	Process
		X	Y	Z
Diameter	[mm]	øi 8,11-8,29	øi 6,41-6,59	øi 6,41-6,59
(i:inside, o:outside)	[in]	øi 0,32-0,33	øi 0,25-0,26	øi 0,25-0,26
Material		copper	copper	copper
Horizontal angle	±2°	0°	0°	0°
Vertical angle	±2°	15°	35°	155°
Position l/h/w	[mm]	126/76/78	133/103/54	-107/94/72
	[in]	4,9/3/3,1	5,2/4/2,1	-4,2/3,7/2,8
Straight tube l.	[mm]	12	12	12
	[in]	0,5	0,5	0,5

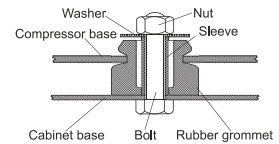


Compressor fixation



Baseplate	[mm]	[inch]
BI	204	8.03
BW	132	5.2
øE	ø 9.7	ø 0.38
Large holes	[mm]	[inch]
LI	165	6.5
LW	101.6	4
øL	ø 19	ø 0.75
Small holes	[mm]	[inch]
SI	170	6.7
SW	70	2.76
øS	ø 16	ø 0.63

Bolt joint



Snap-on



Mounting accessories	one comp.	multi pack
Bolt joint M6 ø16mm	118-1917	118-1918
Bolt joint ø1/4" ø16mm	118-1946	
Bolt joint ø1/4" ø19mm	118-1949	
Snap-on ø7,3 ø16mm	118-1947	118-1919

Application notes

LRA value on compressor label and datasheet may differ due to different test conditions for UL approval.

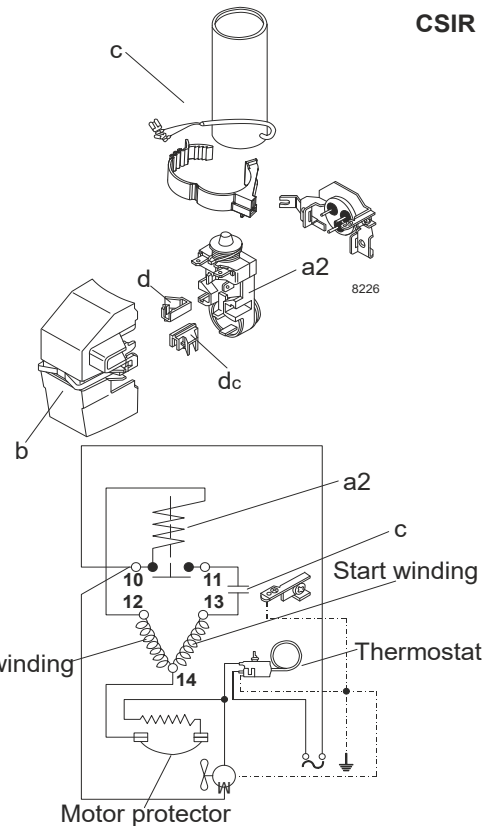
Model

Designation	NF11FX.2	115V/60Hz	Conf. 1	Sales code:	105G5916
-------------	-----------------	------------------	----------------	-------------	-----------------

Configuration

Motorconfiguration	CSIR
Power supply (nominal)	115V/60Hz 1~
Refrigerant	R134a
Application	MBP
Voltage range	95-135V
Starting torque	HST
Approvals	UL EAC

Electrical accessories / wiring diagram

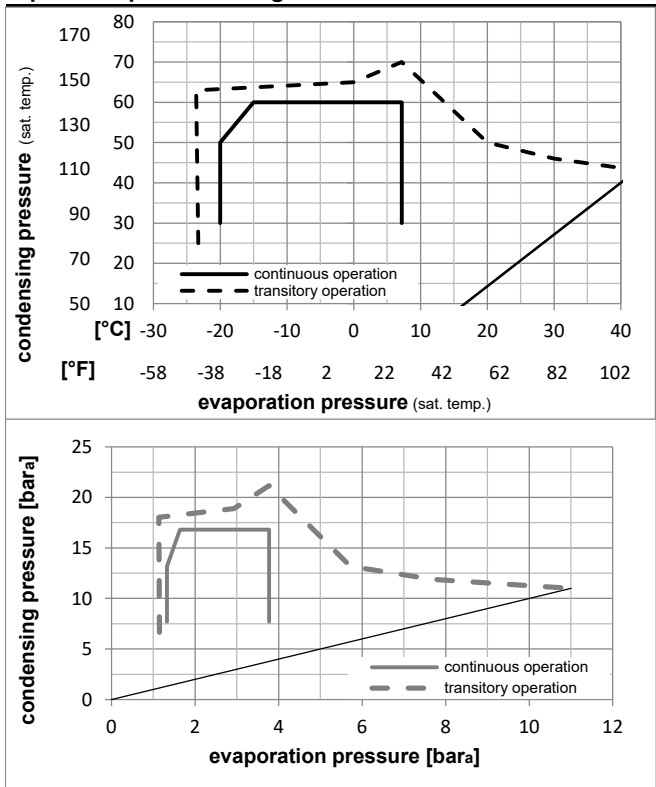


Ambient temperatures / system cooling

Ambient temperature min.:	10°C / 50°F
Ambient temperature max.:	43°C / 110°F

System cooling (n/a: outside limits)			
T ambient	LBP	MBP	HBP
32°C / 90°F	n/a	fan 3m/s	n/a
38°C / 100°F	n/a	fan 3m/s	n/a
43°C / 110°F	n/a	fan 3m/s	n/a

Operation pressure range



Components

a2	assy. Relay (TI MRT16ADK-6)	117U4151
c	start capacitor (410µF)	117U5028
b	plastic cover	117U1021
d/dc	cord relief	117U0349
d/dc	cord relief	117U0349

Model

Designation **NF11FX.2 115V/60Hz** Conf. 1 Sales code: **105G5916**

Optimization + standard conditions

115V/60Hz, CSIR, fan 3m/s, UL, EAC

Evaporating pressure (saturation temperature)														
Condensing pressure (saturation temperature)														
Return gas temp.														
Liquid temp.														
Cooling capacity														
COP														
EER														
Power consumption														
Current consumption														
Ref. mass flow														
	pe	pc	RGT	Tliq	[W]	[Btu/h]	[kcal/h]	[W/W]	[Btu/Wh]	[kcal/Wh]	P1	I	m	
[°C]	[°C]	[°C]	[°C]	[°C]							[W]	[A]	[kg/h]	
[°F]	-23,3	54,4	32,2	32,2	381,5	1303	328,3	1,16	3,95	0,99	330,2	5,21	7,41	ASHRAE LBP
[°F]	-10	130	90	90										
[°C]	-25	55	32	55	277,9	949	239,2	0,89	3,02	0,76	313,9	5,14	6,65	cecomaf LBP
[°F]	-13	131	89,6	131										
[°C]	-35	40	20	40	187,1	639	161,0	0,78	2,67	0,67	239,3	4,88	4,10	EN12900 LBP
[°F]	-31	104	68	104										
[°C]	-6,66	54,4	35	46,1	795,8	2718	684,9	1,65	5,63	1,42	483,2	6,02	17,36	ASHRAE MBP
[°F]	20	130	95	115										
[°C]	-10	55	32	55	617,9	2110	531,8	1,36	4,66	1,17	453,3	5,84	14,94	cecomaf MBP
[°F]	14	131	89,6	131										
[°C]	-10	45	20	45	695,4	2375	598,5	1,62	5,52	1,39	430,3	5,70	16,28	EN12900 MBP
[°F]	14	113	68	113										

Performance tables

115V/60Hz, CSIR, fan 3m/s, UL, EAC

	pe	Cooling capacity			COP	EER		P1	I	m		
		[°C]	[°F]	[W]		[Btu/h]	[kcal/h]				[W/W]	[Btu/Wh]
[°C / °F]	-20	-4		448,6	1532	386,1	1,26	4,32	1,09	355,1	5,28	9,75
cond. pressure	-15	5		574,9	1963	494,8	1,46	5,00	1,26	392,5	5,48	12,53
pc= 45/113	-9,4	15		739,1	2524	636,1	1,70	5,81	1,46	434,6	5,72	16,18
return gas temp.	-6,7	20		831,4	2839	715,5	1,82	6,22	1,57	456,3	5,86	18,25
RGT= 32/90	-3,9	25		930,8	3179	801,1	1,94	6,64	1,67	478,8	6,00	20,49
liquid temp	0	32		1082,9	3698	931,9	2,11	7,22	1,82	512,1	6,22	23,95
Tliq= 45/113	7,2	45		1407,6	4807	1211,4	2,42	8,27	2,09	580,9	6,66	31,44
[°C / °F]	-20	-4		372,6	1273	320,7	1,03	3,52	0,89	361,3	5,35	8,94
cond. pressure	-15	5		485,3	1658	417,7	1,19	4,07	1,03	407,3	5,58	11,68
pc= 55/131	-9,4	15		634,0	2165	545,6	1,38	4,72	1,19	458,5	5,87	15,34
return gas temp	-6,7	20		718,3	2453	618,2	1,48	5,06	1,28	484,6	6,03	17,43
RGT= 32/90	-3,9	25		809,8	2765	696,9	1,58	5,41	1,36	511,3	6,20	19,71
liquid temp	0	32		950,4	3246	817,9	1,73	5,90	1,49	550,3	6,44	23,25
Tliq= 55/131	7,2	45		1253,3	4280	1078,6	1,99	6,80	1,71	629,1	6,94	31,00

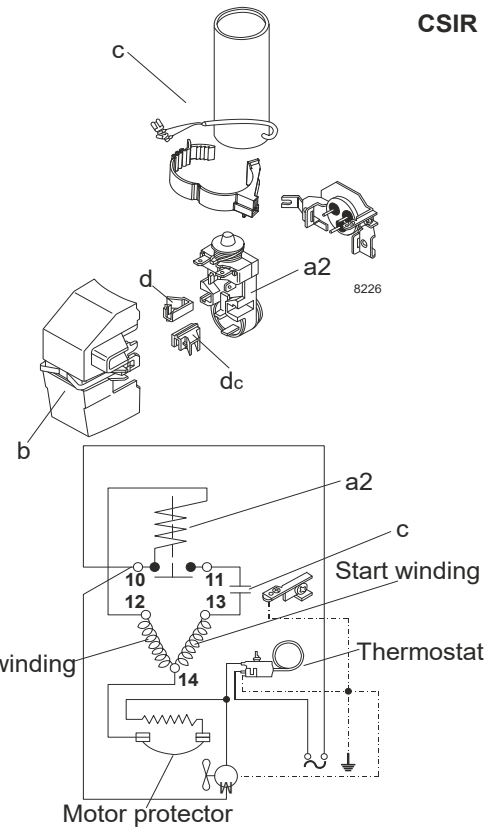
Model

Designation	NF11FX.2	115V/60Hz	Conf. 2	Sales code:	105G5916
-------------	-----------------	------------------	----------------	-------------	-----------------

Configuration

Motorconfiguration	CSIR
Power supply (nominal)	115V/60Hz 1~
Refrigerant	R513A
Application	MBP
Voltage range	95-135V
Starting torque	HST
Approvals	UL

Electrical accessories / wiring diagram

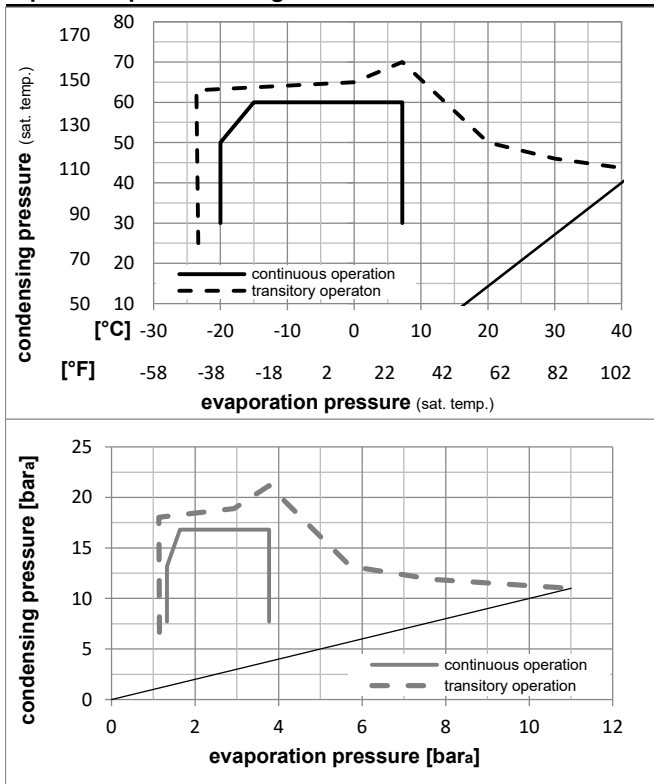


Ambient temperatures / system cooling

Ambient temperature min.:	10°C / 50°F
Ambient temperature max.:	43°C / 110°F

System cooling (n/a: outside limits)			
T ambient	LBP	MBP	HBP
32°C / 90°F	n/a	fan 3m/s	n/a
38°C / 100°F	n/a	fan 3m/s	n/a
43°C / 110°F	n/a	fan 3m/s	n/a

Operation pressure range



Components

a2	assy. Relay (TI MRT16ADK-6)	117U4151
c	start capacitor (410µF)	117U5028
b	plastic cover	117U1021
d/dc	cord relief	117U0349
d/dc	cord relief	117U0349

Model

Designation **NF11FX.2 115V/60Hz** Conf. **2** Sales code: **105G5916**

Optimization + standard conditions

115V/60Hz, CSIR, fan 3m/s, UL

Evaporating pressure (saturation temperature)		Condensing pressure (saturation temperature)				Cooling capacity					Power consumption		ASHRAE LBP	
Return gas temp.		Liquid temp.		COP	EER	P1	Current consumption		Ref. mass flow					
pe	pc	RGT	Tliq				[W]	[Btu/h]		[kcal/h]	[W/W]	[Btu/Wh]	[kcal/Wh]	[W]
[°C]	-23,3	54,4	32,2	32,2	424,6	1450	365,4	1,17	3,99	1,01	363,3	5,35	9,14	ASHRAE LBP
[°F]	-10	130	90	90										
[°C]	-25	55	32	55	301,5	1030	259,5	0,87	2,97	0,75	347,2	5,26	8,26	cecomaf LBP
[°F]	-13	131	89,6	131										
[°C]	-35	40	20	40	211,9	724	182,3	0,79	2,70	0,68	268,2	4,80	5,24	EN12900 LBP
[°F]	-31	104	68	104										
[°C]	-6,66	54,4	35	46,1	836,2	2856	719,6	1,62	5,55	1,40	514,8	6,23	20,48	ASHRAE MBP
[°F]	20	130	95	115										
[°C]	-10	55	32	55	642,0	2193	552,5	1,32	4,52	1,14	485,5	6,06	17,75	cecomaf MBP
[°F]	14	131	89,6	131										
[°C]	-10	45	20	45	727,5	2484	626,1	1,58	5,41	1,36	459,5	5,91	19,28	EN12900 MBP
[°F]	14	113	68	113										

Performance tables

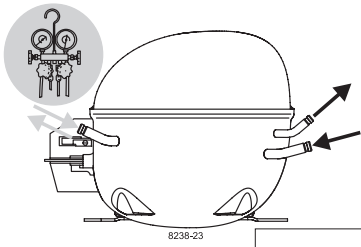
115V/60Hz, CSIR, fan 3m/s, UL

	pe	Cooling capacity			COP	EER	P1	I	m		
	[°C]	[°F]	[W]	[Btu/h]	[kcal/h]	[W/W]	[Btu/Wh]	[kcal/Wh]	[W]	[A]	[kg/h]
[°C / °F]	-20	-4	483,4	1651	416,0	1,25	4,29	1,08	385,3	5,48	11,81
cond. pressure	-15	5	612,3	2091	527,0	1,45	4,95	1,25	422,2	5,69	15,00
pc= 45/113	-9,4	15	778,5	2659	670,0	1,68	5,73	1,44	463,7	5,93	19,15
return gas temp.	-6,7	20	871,4	2976	749,9	1,80	6,13	1,55	485,1	6,06	21,48
RGT= 32/90	-3,9	25	971,2	3317	835,8	1,91	6,54	1,65	507,3	6,19	24,00
liquid temp	0	32	1123,1	3836	966,6	2,08	7,10	1,79	540,2	6,38	27,86
Tliq= 45/113	7,2	45	1445,7	4937	1244,2	2,38	8,11	2,04	608,6	6,77	36,16
[°C / °F]	-20	-4	397,2	1357	341,8	1,01	3,44	0,87	394,4	5,53	10,91
cond. pressure	-15	5	510,1	1742	439,0	1,16	3,96	1,00	440,0	5,80	14,05
pc= 55/131	-9,4	15	657,9	2247	566,2	1,34	4,58	1,15	490,6	6,09	18,20
return gas temp	-6,7	20	741,4	2532	638,0	1,44	4,90	1,24	516,4	6,24	20,56
RGT= 32/90	-3,9	25	831,6	2840	715,6	1,53	5,23	1,32	542,9	6,39	23,12
liquid temp	0	32	969,7	3312	834,5	1,67	5,70	1,44	581,4	6,62	27,08
Tliq= 55/131	7,2	45	1265,7	4323	1089,3	1,92	6,55	1,65	659,7	7,07	35,68

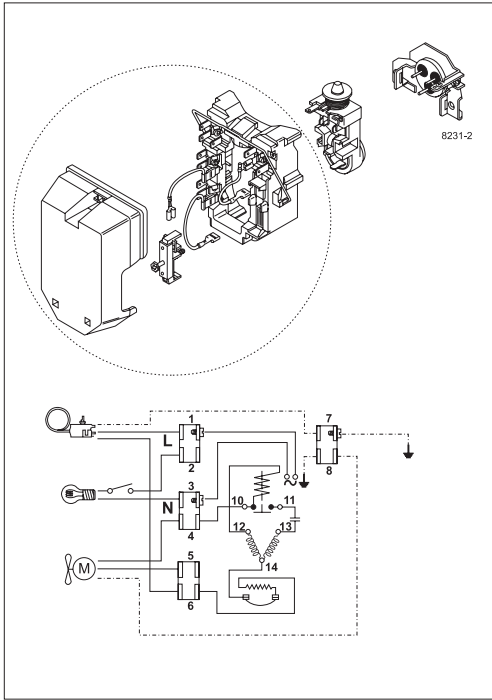


NF Compressors





8238-23



Secop accepts no responsibility for possible errors in catalogs, brochures, and other printed material. Secop reserves the right to alter its products without notice. This also applies to products already on order provided that such alterations can be made without subsequential changes being necessary to specifications already agreed. All trademarks in this material are the property of the respective companies. Secop and the Secop logotype are trademarks of Secop GmbH. All rights reserved. www.secop.com