

## Single Pack NLX13KK.1 220-240V 50Hz RSCR

Single pack code number: **195B4562**

Position	Title	Code	Amount
1	Compressor NLX13KK.1	105H6304	1
2	e-PTC starting device (220V, 250hm, 4.8mm)	103N0050	1
3	Run capacitor (4μF 320V, 4.8mm)	117-7119	1
4	Cord relief	103N1010	1
5	Protection screen for PTC	103N0476	1
6	Cover	103N2010	1
7	Bolt joint for one compressor   M6   ø16mm	118-1917	1

**Secop GmbH** • Lise-Meitner-Straße 29 • 24941 Flensburg, Germany • Tel: +49 461 4941 0 • [www.secop.com](http://www.secop.com)

Secop accepts no responsibility for possible errors in catalogs, brochures, and other printed material. Secop reserves the right to alter its products without notice. This also applies to products already on order provided that such alterations can be made without subsequent changes being necessary to specifications already agreed. All trademarks in this material are the property of the respective companies. Secop and the Secop logotype are trademarks of Secop GmbH. All rights reserved.

**Model**

Designation	<b>NLX13KK.1</b>	<b>220-240V/50Hz 1~</b>	Sales code:	<b>105H6304</b>
-------------	------------------	-------------------------	-------------	-----------------

**Compressor design**

Oil type	Mineral	Refrigerant(s)	<b>R600a</b>
Oil viscosity	9,6cST	Displacement	13,25cm <sup>3</sup> / 0,81cu.in
Oil quantity	265cm <sup>3</sup> / 9fl.oz	Compressors on pallet	80
Refr. charge - tech. limit	150g / 5,3oz		
Free gas volume comp.	2360cm <sup>3</sup> / 79,8fl.oz		
Weight	10,8kg / 23,8lbs		
Motor protection	1# internal		
Winding resistance main	18Ω (at 25°C)		
Winding resistance aux	28Ω (at 25°C)		
Max. winding temp.	95°C / 203°F		
Max. discharge temp.	125°C / 257°F		



**General - Configurations with NLX13KK.1**

	<b>Conf. 1</b>
Motorconfiguration	RSCR
Power supply (nominal)	220-240V/50Hz
Number of phases	1
Voltage range	198-254V
Approvals	VDE
Starting torque	LST
Note	- / -

**Applications with NLX13KK.1**

	<b>Conf. 1</b>
Refrigerant	R600a
Application	LBP
System cooling	static
Hot gas defrost	- / -
Long interval pull down	- / -

**Electrical data - Configurations with NLX13KK.1**

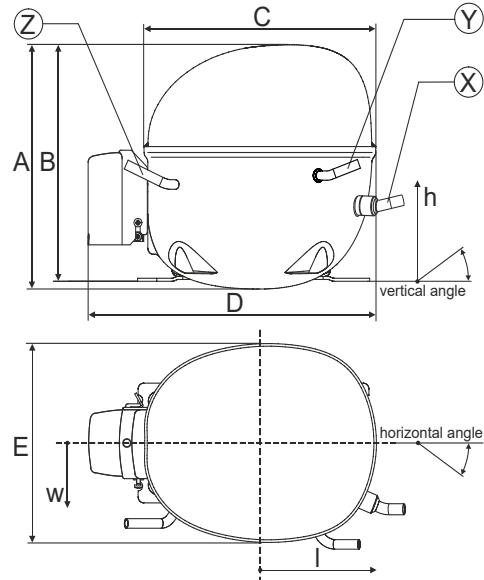
	<b>Conf. 1</b>
Starting device type	PTC
Run capacitor	4μF
Start capacitor	- / -
LRA (locked rotor amps / 4s)	4,5A
RLA (rated load amps / 1s)	0,8A
Cut in current	8A

**Model**

Designation	<b>NLX13KK.1</b>	220-240V/50Hz 1~	Sales code:	<b>105H6304</b>
-------------	------------------	------------------	-------------	-----------------

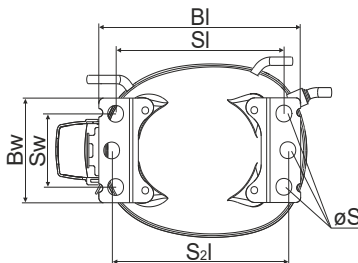
**Compressor dimensions**

<b>Housing</b>	A Height	203mm / 7,99in
	B Height	197mm / 7,76in
	C Length shell	205mm / 8,07in
	D Length w. cover	254mm / 10in
	E Width	166mm / 6,54in



<b>Connectors</b>		<b>Suction</b>	<b>Discharge</b>	<b>Process</b>
		<b>X</b>	<b>Y</b>	<b>Z</b>
Diameter	[mm]	øi 6,11-6,29	øi 5,12-5,22	øi 6,11-6,29
(i:inside, o:outside)	[in]	øi 0,24-0,25	øi 0,2-0,21	øi 0,24-0,25
Material		copper	copper	copper
Horizontal angle	±2°	0°	0°	0°
Vertical angle	±2°	15°	21°	155°
Position l/h/w	[mm]	133/71/57	91/103/81	-107/94/72
	[in]	5,2/2,8/2,2	3,6/4/3,2	-4,2/3,7/2,8
Straight tube l.	[mm]	12	12	12
	[in]	0,5	0,5	0,5

**Compressor fixation**

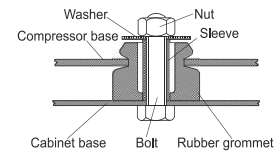


Baseplate	[mm]	[inch]
Bi	204	8.03
Bw	100	3.94

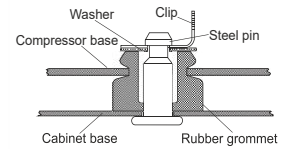
  

Small holes	[mm]	[inch]
Si	170	6.7
Sw	70	2.76
S2l	178	7
øS	ø 16	ø 0.63

**Bolt joint**



**Snap-on**



<b>Mounting accessories</b>	one comp.	multi pack
Bolt joint   M6   ø16mm	118-1917	118-1918
Bolt joint   ø1/4"   ø16mm	118-1946	
Bolt joint   ø1/4"   ø19mm	118-1949	
Snap-on   ø7,3   ø16mm	118-1947	118-1919

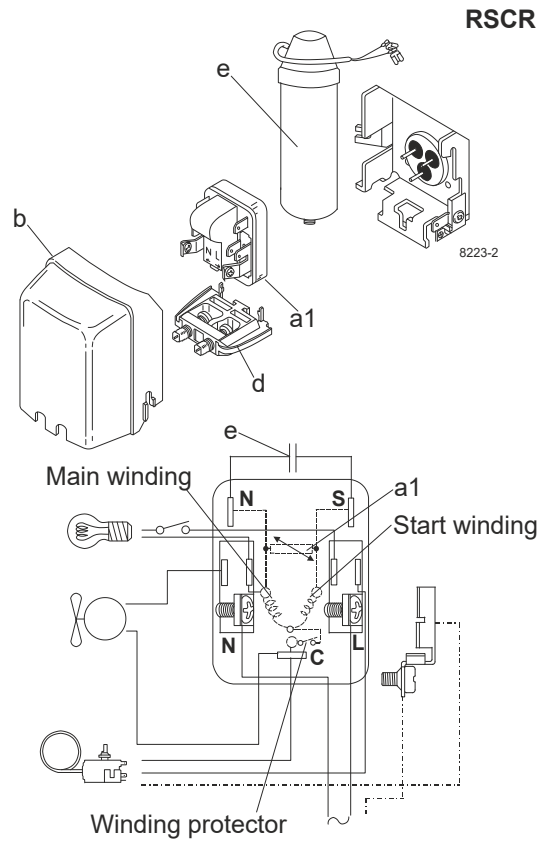
**Model**

Designation	<b>NLX13KK.1</b>	<b>220-240V/50Hz</b>	<b>Conf. 1</b>	Sales code:	<b>105H6304</b>
-------------	------------------	----------------------	----------------	-------------	-----------------

**Configuration**

Motorconfiguration	RSCR
Power supply (nominal)	220-240V/50Hz 1~
Refrigerant	R600a
Application	LBP
Voltage range	198-254V
Starting torque	LST
Approvals	VDE

**Electrical accessories / wiring diagram**

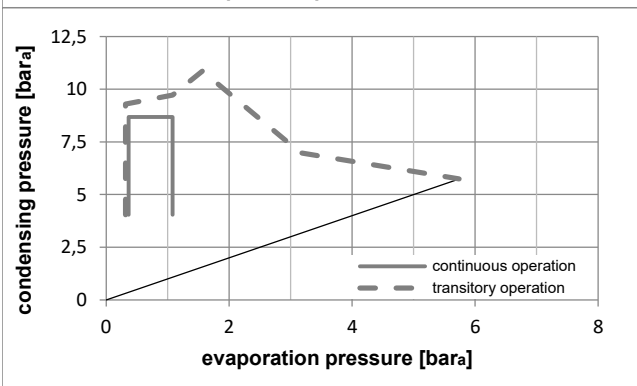


**Ambient temperatures / system cooling**

Ambient temperature min.:	10°C / 50°F
Ambient temperature max.:	43°C / 110°F

System cooling (n/a: outside limits)			
T ambient	LBP	MBP	HBP
32°C / 90°F	static	n/a	n/a
38°C / 100°F	static	n/a	n/a
43°C / 110°F	static	n/a	n/a

**Operation pressure range**



**Components**

a1	e-PTC starter (220V, 25Ohm, 4.8mm)	103N0050
e	run capacitor (4μF, 4.8mm)	117-7119
b	plastic cover	103N2010
d	cord relief	103N1010
	bracket for run capacitor	117-0300
	screw M4x8mm	117-0301

**Alternative components**

b	plastic cover	103N2011
---	---------------	----------

**Model**

Designation **NLX13KK.1 220-240V/50Hz** Conf. 1 Sales code: **105H6304**

**Optimization + standard conditions**

R600a, 220V/50Hz, RSCR, static, VDE

		Evaporating pressure (saturation temperature)				Condensing pressure (saturation temperature)					Power consumption								
						Return gas temp.					Current consumption								
						Liquid temp.					Ref. mass flow								
						Cooling capacity					COP				EER	P1	I	m	
		pe	pc	RGT	Tliq	[W]	[Btu/h]	[kcal/h]	[W/W]	[Btu/Wh]	[kcal/Wh]	[W]	[A]	[kg/h]					
[°C]	-23,3	54,4	32,2	32,2	222,9	761	191,9	1,75	5,96	1,50	127,7	0,64	2,39	ASHRAE LBP					
[°F]	-10	130	90	90															
[°C]	-25	55	32	55	167,0	571	143,8	1,37	4,68	1,18	122,0	0,62	2,18	cecomaf LBP					
[°F]	-13	131	89,6	131															
[°C]	-35	40	20	40	118,0	403	101,5	1,31	4,46	1,12	90,3	0,47	1,44	EN12900 LBP					
[°F]	-31	104	68	104															
[°C]	-23,3	48,9	4,44	48,9	182,9	624	157,4	1,46	5,00	1,26	124,8	0,63	2,67	ARI540 LBP					
[°F]	-10	120	40	120															
[°C]	-23,3	40,6	32,2	32,2	243,4	831	209,5	2,05	6,99	1,76	118,8	0,61	2,61	AHAM LBP					
[°F]	-10	105	90	90															
[°C]	-35	45	32	45	111,8	382	96,2	1,24	4,23	1,07	90,3	0,46	1,33	opt					
[°F]	-31	113	89,6	113															

**Performance tables**

R600a, 220V/50Hz, RSCR, static, VDE

	pe	Cooling capacity			COP			EER			P1	I	m
	[°C]	[°F]	[W]	[Btu/h]	[kcal/h]	[W/W]	[Btu/Wh]	[kcal/Wh]	[W]	[A]	[kg/h]		
[°C / °F]	-35	-31	111,8	382	96,2	1,24	4,23	1,07	90,3	0,46	1,33		
cond. pressure	-30	-22	150,2	513	129,2	1,44	4,93	1,24	103,9	0,53	1,79		
pc= 45/113	-25	-13	196,5	671	169,1	1,67	5,71	1,44	117,6	0,60	2,34		
return gas temp.	-23,3	-10	214,3	732	184,4	1,75	5,98	1,51	122,4	0,62	2,55		
RGT= 32/90	-20	-4	252,0	861	216,8	1,91	6,51	1,64	132,1	0,67	3,00		
liquid temp	-15	5	317,7	1085	273,4	2,14	7,31	1,84	148,5	0,75	3,80		
Tliq= 45/113	-10	14	394,9	1349	339,9	2,36	8,04	2,03	167,7	0,83	4,73		
[°C / °F]	-35	-31	90,8	310	78,2	1,05	3,60	0,91	86,1	0,46	1,18		
cond. pressure	-30	-22	125,5	428	108,0	1,20	4,11	1,03	104,4	0,53	1,63		
pc= 55/131	-25	-13	167,0	571	143,8	1,37	4,68	1,18	122,0	0,62	2,18		
return gas temp	-23,3	-10	183,0	625	157,5	1,43	4,88	1,23	128,1	0,65	2,39		
RGT= 32/90	-20	-4	216,8	740	186,6	1,55	5,29	1,33	140,0	0,70	2,83		
liquid temp	-15	5	275,8	942	237,4	1,73	5,91	1,49	159,4	0,80	3,61		
Tliq= 55/131	-10	14	345,3	1179	297,2	1,91	6,52	1,64	181,0	0,89	4,53		



# NL Compressors





## Service/Repair – R600a, R290



8545

## Brazing on Suction Connectors (Direct Intake)

representative image



**! max. 150°C/302°F !  
at socket**  
brazing solder: phosphor (LP7) or silver

Refer to Product Bulletin:  
**Brazing on Suction Connectors  
(Compressors with Direct Suction Intake)**

Secop accepts no responsibility for possible errors in catalogs, brochures, and other printed material. Secop reserves the right to alter its products without notice. This also applies to products already on order provided that such alterations can be made without subsequential changes being necessary to specifications already agreed. All trademarks in this material are the property of the respective companies. Secop and the Secop logotype are trademarks of Secop GmbH. All rights reserved. [www.secop.com](http://www.secop.com)